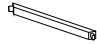











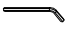



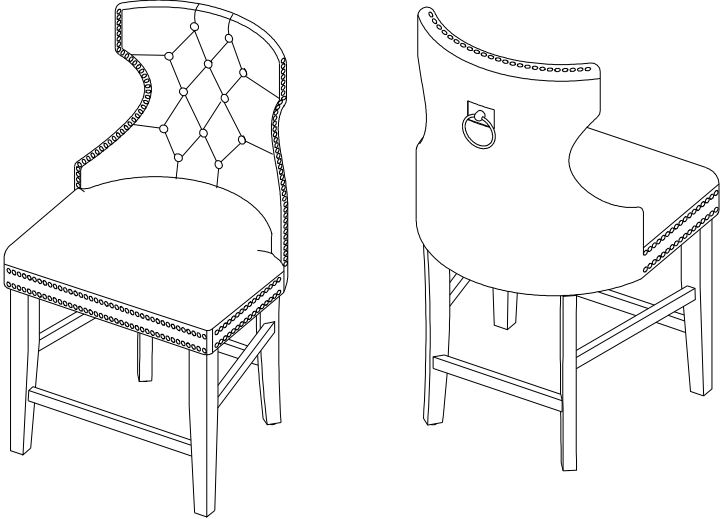
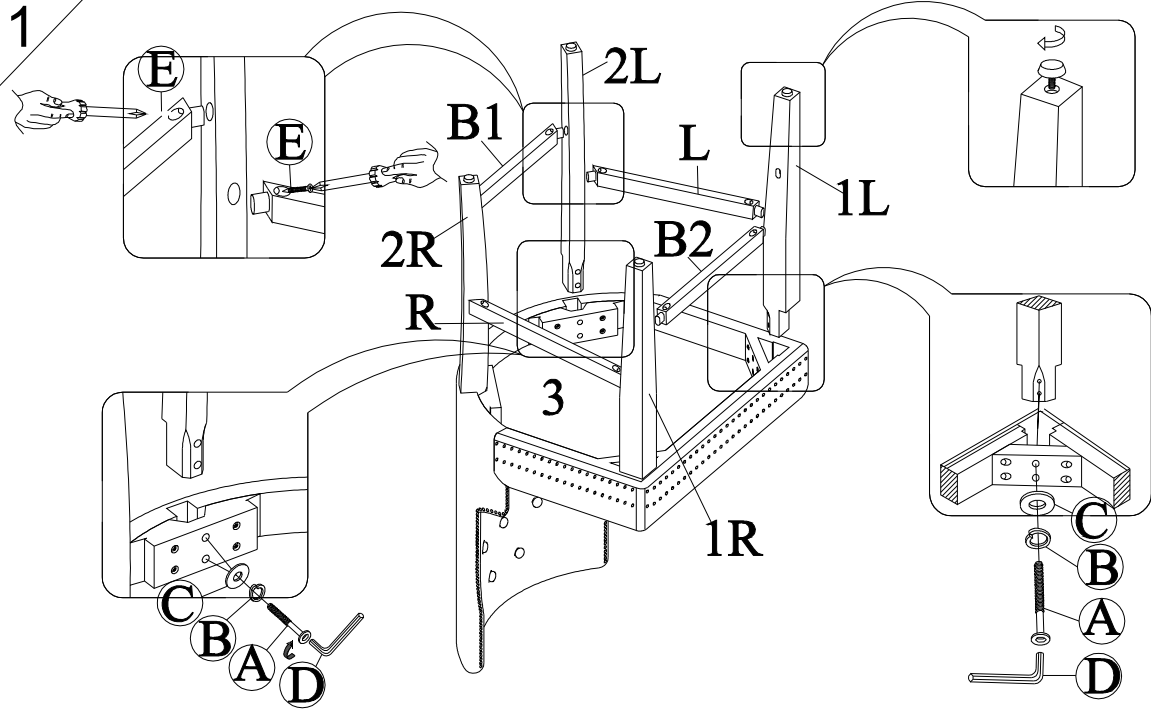
ASSEMBLY INSTRUCTION

PARTS LIST

No.	DESCRIPTION	IMAGE	QTY
B1	BACK STRETCHER		1
R	RIGHT STRETCHER		1
L	LEFT STRETCHER		1
B2	FRONT STRETCHER		1
1R	FRONT RIGHT LEG		1
1L	FRONT LEFT LEG		1
2R	BACK RIGHT LEG		1
2L	BACK LEFT LEG		1
3	CUSHION SEAT		1

HARDWARE LIST

No.	DESCRIPTION	IMAGE	QTY
A	BOLT 1/4" x 50mm		8
B	SPRING WASHER Ø 5/16" x 13mm		8
C	FLAT WASHER Ø 5/16" x 19mm		8
D	ALLEN KEY		1
E	SCREW Ø4 x 38mm		8



COMPLETE