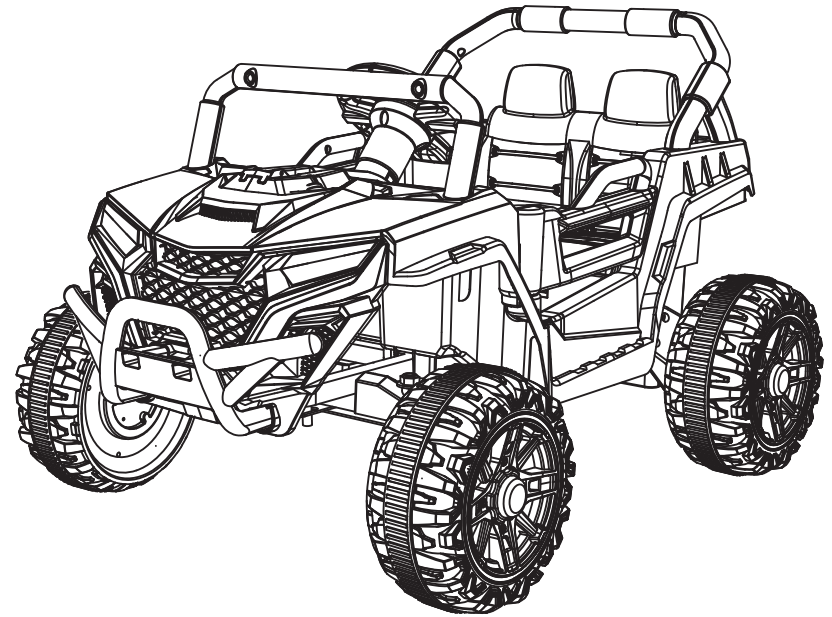


USER MANUAL

CHILDREN'S ELECTRONIC RIDE ON CAR



 **WARNING:**
Must be assembled by an adult.

- Suitable for 37-96 Months
- Maximum user weight: 30 kg

OWNERS MANUAL

with Assembly Instructions

Read and understand this entire manual before using!
Please keep this manual for future reference as it contains important information. Before first time use, charge the battery for at least 10-12 hours, but no more than 16 hours.



CHARGE NOTICE

1. When using an electric vehicle for the first time, you must ensure that the battery is charged for a full 12 hours! Otherwise the battery will be permanently damaged and beyond repair. Each charge must not exceed 16 hours.
2. When charging, insert the charger DC plug into the charging socket first, and then plug the charger into a power outlet.
3. Each time you use the charger continuously for 1 hour, you must charge it in time, and the normal charging time is 10-12 hours.
4. It is normal for the charger or battery to be hot (below 60°C) during charging.
5. When the electric vehicle is not used for a long time, it must be charged at least once every month.
6. If there is water in the charging socket, it can not be charged, otherwise it may cause a short circuit. The power terminals must not be short-circuited.
7. The electric vehicle must use the special charger and battery equipped with the vehicle, so as not to damage the charger and battery as well as the entire vehicle line.

Rules for Safe Riding

- Keep Children within Safe Riding Areas.
- Use the toy only on flat surfaces. Such as inside your house, garden or playground.
- Never use in the dark. A child could encounter unexpected obstacles and have an accident.
- Operate the vehicle only in the daytime or a well-lit area.
- It is prohibited to change the circuit or add other electric parts
- Inspect wires and connections of the vehicle periodically.
- Do not let any child touch the wheels or be near them when the car is moving .
- This vehicle has adjustable play seat belts. Please instruct children how to tie the safety belt before using, guarantee the security.

Disposal Of Battery



- Your sealed lead-acid battery must be recycled or disposed of in an environmentally sound manner.
- Do not dispose of your lead-acid battery in a fire. The battery may explode or leak.
- Do not dispose of a lead-acid battery in your regular, household trash. The incineration, land filling or mixing of sealed lead-acid batteries with household trash is prohibited by law.

About Your New Vehicle

On the purchase of your new Ride-On.

This ride-on car will provide your child with many miles of riding of enjoyment. To help assure you and your rider a safe ride we ask you to please read this manual carefully, and keep it for future reference.

Follow the recommendations in this manual, they are designed to improve the safety and operation of your ride-on car and its rider.

Specification

Battery	12V4.5AH*1		
Motor	drive motor 12V390#		
	steering motor 12V380#		
Suitable age	37-96 Months	Load capacity	66lbs (30 kg)
N.W.	10.6 kg	G.W.	12.7 kg
Size of car	860 x 600 x 560 mm		
Package Size	850 x 480 x 310 mm		
Speed	1.9-3.5mph (3-5 km/h)		
Charge and use time	charge for 10-12 hours, use 1-2 hours		
Charger	Input Depend on local voltage Output DC12V		

Parts list

No.	Part Name	QTY	No.	Part Name	QTY
1	User manual	1	2	Vehicle body	2
3	Front frame components	1	4	Front wheels	2
5	Rear wheels	2	6	Front bumper	1
7	Seat cushion component	1	8	Steering wheel	1
9	Rear frame components	1	10	Remote control	1
11	Rear wheel suspension	2	12	Charger	1
13	Rear axle components	1	14	Small wheel cover	4
15	wrench	2			

Safety



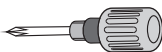
WARNING:

For safety use, please note:

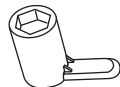
1. Assembled by adult only! The product may contain sharp edge or points before assembled.
2. Never leave child unattended. Direct adult supervision is required. Always keep child in view when child is in vehicle.
3. Only an adult can charge and recharge the battery!
Non-rechargeable batteries are not to be recharged. Different type of batteries or new and used batteries are not to be mixed.
4. Keep small children away when assembling. Always remove protective material and poly bags before assembly.
5. Regularly examine the charger, wires, terminals and other parts before each use, once found anything broken, stop use till repaired well.
6. Batteries are to be inserted with the correct polarity.

Assembly tools required:

Screwdriver (not included)



Socket wrench (included)



Troubleshooting GuideA

Problem	Possible Cause	Solution
Vehicle does not run	Battery low on power	Recharge battery
	Thermal fuse has tripped	Reset fuse, see <Fuse>
	Battery connector or wires are loose	Check that the battery connectors are firmly plugged into each other. If wires are loose around the motor contact your distributor please.
	Battery is dead	Replace battery, contact your distributor please.
	Electrical system is damaged	Contact your distributor please.
	Motor is damaged	Contact your distributor please.
Vehicle does not run very long	Battery is under charged	Check that the battery connectors are firmly plugged into each other when recharging
	Battery is old	Replace battery, contact your distributor please.
Vehicle runs sluggishly	Battery low on power	Recharge battery, contact your distributor please.
	Battery is old	Replace battery, contact your distributor please.
	Vehicle is overload	Reduce weight on vehicle.
	Vehicle is being used in harsh conditions	Avoid using vehicle in harsh conditions, see <Safety>.
Vehicle needs a push to go forward	Poor contact of wires or Connectors	Check that the battery connectors are firmly plugged into each other. If wires are loose around the motor, contact your distributor please.
	"Dead Spot" on motor	A dead spot means the electric power is not being delivered to the terminal connection and vehicle needs repair. Contact your distributor please.
Difficult shifting from forward to reverse or vice-versa	Attempting to shift while the vehicle is motion	Completely stop the vehicle and shift, see <Use Your New Vehicle>
Loud grinding or clicking noises coming from motor or gear box	Motor or gears are damaged	Contact your distributor please.
Battery will not recharge	Battery connector or adapter connector is loose	Check that the battery connectors are firmly plugged into each other.
	Charger not plugged in	Check that the battery charger is plugged into a working wall outlet.
	Charger is not working	Contact your distributor please.
Charger feels warm when recharging	This is normal and not a cause for concern	

ATTENTION:

1. Please check the manual carefully and make sure you have received all the parts.
2. If there is any missing, please let us know the letter of the parts you need.
3. If there is any damage, please send clear photos to us, we will check and offer you best solution soon.

Maintaining

- It is parents' responsibility to check main parts of the toy before using, must regularly examine for potential hazard, such as the battery, charge, cable or cord, plug, screws are fastening enclosure of other parts and that in the event of such damage, the toy must not be used until that damage had been properly removed.
- Make sure the plastic parts of the vehicle are not cracked or broken.
- Occasionally use a lightweight oil to lubricate moving parts such as wheels.
- Park the vehicle indoors or cover it with a tarp to protect it from wet weather.
- Keep the vehicle away from sources of heat, such as stoves and heaters. Plastic parts may melt.
- Recharge the battery after each use. Only an adult can handle the battery. Recharge the battery at least once a month when the vehicle Raider is not being used.
- Do not wash the vehicle with a hose. Do not wash the vehicle with soap and water. Do not drive the vehicle in rainy or snowy weather. Water will damage the motor, electric system and battery.
- Clean the vehicle with a soft, dry cloth. To restore shine to plastic parts, use a non-wax furniture polish. Do not use car wax. Do not use abrasive cleaners.
- Do not drive the vehicle in loose dirt, sand or fine gravel which could damage the moving parts, motors or the electric system.
- When not using, all the electrical source should be turn off. Turn off the power switch and disconnect the battery connection.

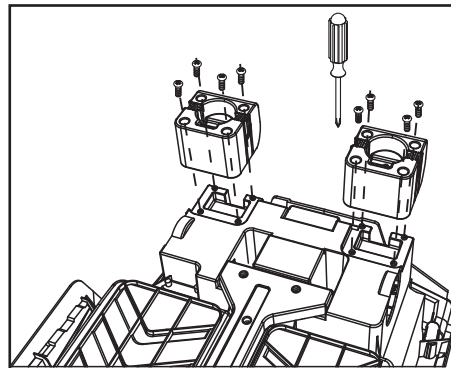
Fuse

The battery features a thermal fuse with a reset fuse that will automatically trip and cut all power to the vehicle if the motor, electric system or battery is overloaded. The fuse will reset and power will be restored after the unit is turned OFF for 20 seconds and then turned ON again. If the thermal fuse trips repeatedly during normal use, the vehicle may need repair. **Contact your distributor please.**

To avoid losing power, follow these guidelines:

- Do not overload the vehicle.
- Do not tow anything behind the vehicle.
- Do not drive up steep slopes.
- Do not drive into fixed objects, which may cause the wheels to spin, causing the motor to overheat.
- Do not drive in very hot weather, components may overheat.
- Do not allow water or other liquids to come in contact with the battery or other electric components.
- Do not tamper with the electric system. Doing so may create a short, causing the fuse to trip.

Installation Steps

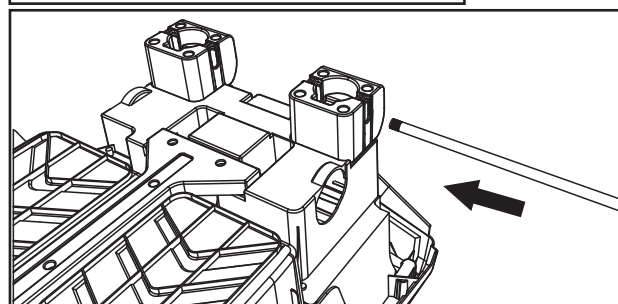


1. Install shock absorbers

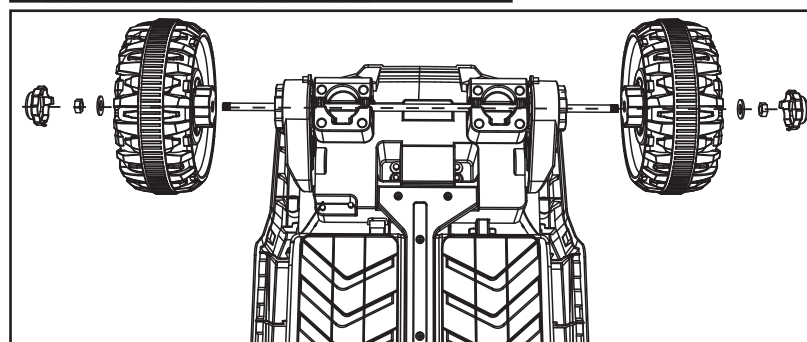
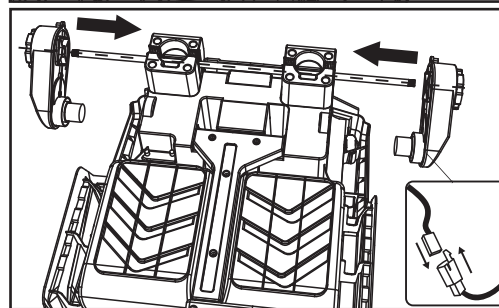
Insert the shock absorber into the corresponding position on the vehicle body and secure it with screws.

2. Install the rear wheels

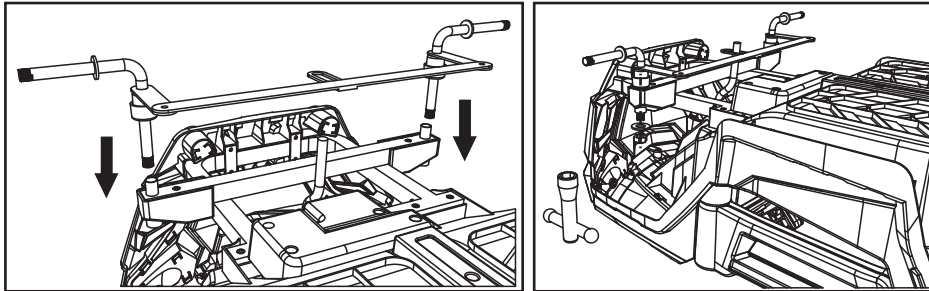
Insert the rear axle into the shock absorber, then install the gearbox, and combine the rear tire with the gearbox; Insert the rear wheel axle and then put on the gasket,



using an M8 screw. Lock the mother tightly and then fasten the small cover (the assembly method for the left and right wheels is the same).

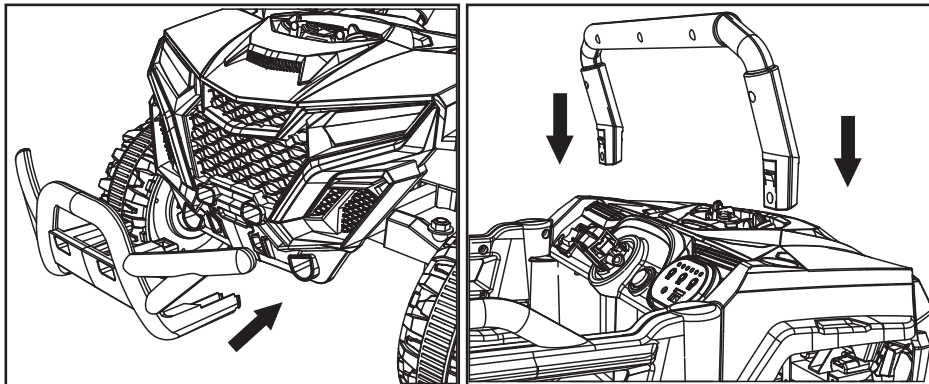
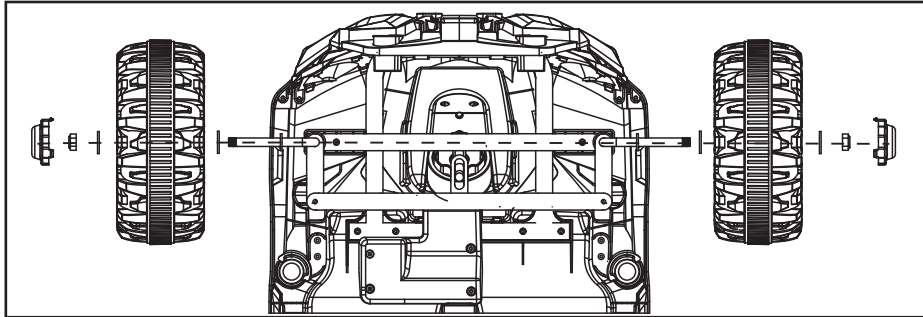


Installation Steps



3. Install the front axle components
Insert the front axle assembly into the corresponding position on the vehicle body and secure it with washers and nuts. Attention: The steering rod should be inserted into the steering hole of the front axle assembly.

4. Install the front wheels
After inserting the gasket into the front wheel sleeve, insert the front tire, then insert the gasket, lock it with an M8 nut, and fasten the small cover. (Same assembly method for left and right wheels)



FCC STATEMENT

Caution:

This device complies with Part 15 of the FCC Rules. Operation is subject to the following two conditions: (1) this device may not cause harmful interference. (2) this device must accept any interference received, including interference that may cause undesired operation.

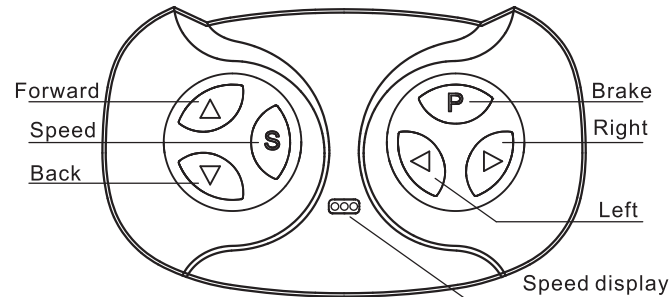
Changes or modifications not expressly approved by the party responsible for compliance could void the user's authority to operate the equipment.

This equipment has been tested and found to comply with the limits for a Class B digital device, pursuant to part 15 of the FCC Rules. These limits are designed to provide reasonable protection against harmful interference in a residential installation. This equipment generates uses and can radiate radio frequency energy and, if not installed and used in accordance with the instructions, may cause harmful interference to radio communications. However, there is no guarantee that interference will not occur in a particular installation. If this equipment does cause harmful interference to radio or television reception, which can be determined by turning the equipment off and on, the user is encouraged to try to correct the interference by one or more of the following

measures:

- Reorient or relocate the receiving antenna.
- Increase the separation between the equipment and receiver.
- Connect the equipment into an outlet on a circuit different from that to which the receiver is connected.
- Consult the dealer or an experienced radio/TV technician for help.

Use Your New Vehicle

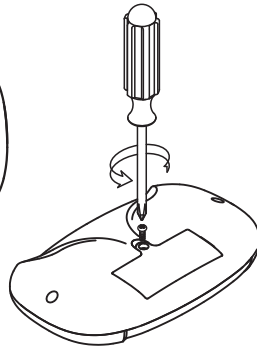
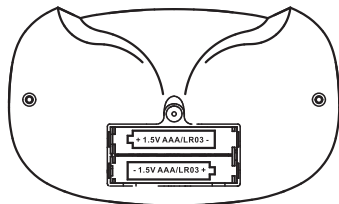
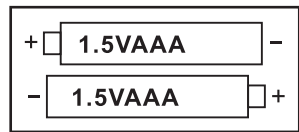


2.4G Remote Control Instructions

Step 1: The Remote Controller is loaded with two AAA batteries.
(not provided)

Step 2: Turn off the power switch on the vehicle.

Step 3: Hold down "▲" & "▼" keys for 3 seconds start match code,
The first LED flicker, Now turn on the vehicle power switch, The
red indicator lights stop flashing, and the code is successful.
Keys caption: "S" set up speed, 1 led lit up is low speed,
2 leds lit up is medium speed, 3 leds lit up is high speed,
"▲" Forward, "▼" Back, "◀" Left, "▶" "S" Right, Press
"P" key hold the brake, All LED flicker



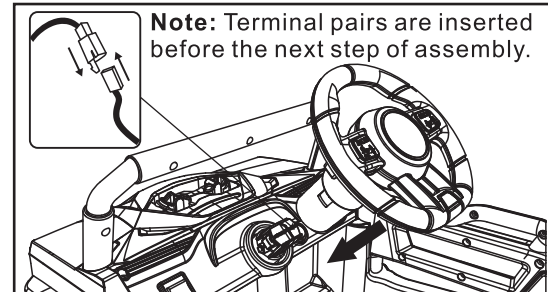
WARNING!

Not for children under 3 years. Small parts.
Choking hazard

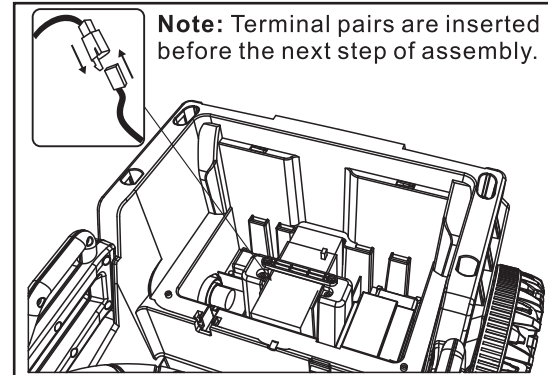
- Load two AAA (1.5V) batteries according to the diagram.
- Non-rechargeable batteries are not to be recharged.
- Different types of batteries or new and used batteries are not to be mixed.
- Batteries are to be inserted with the correct polarity.
- Exhausted batteries are to be removed from the toy.
- The supply terminals are not to be short-circuited.
- The packaging must be retained since it contains important information.

Load two AAA (1.5V) batteries

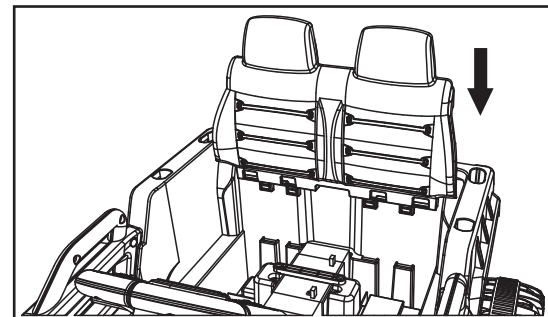
Installation Steps



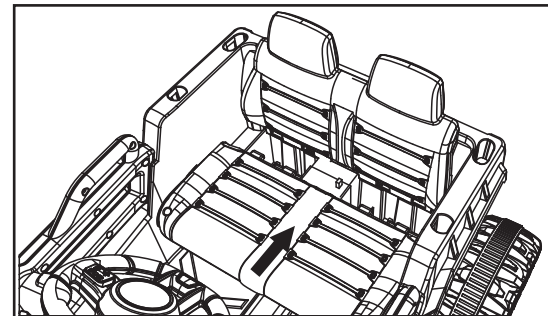
5. Install the front bumper
Secure the front bumper in the corresponding position on the front face.



6. Install the front frame
Insert the front frame components into the corresponding positions on the vehicle body as shown in the diagram.

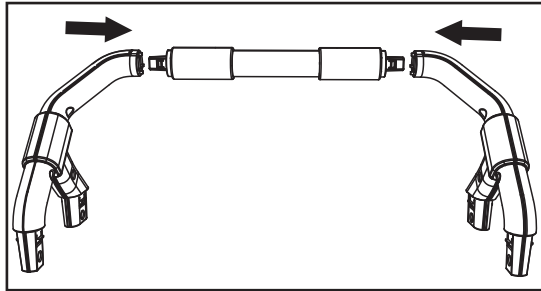


7. Install the steering wheel
Connect the wires on the steering wheel to the wire terminals on the main body, and insert the steering wheel into the steering rod buckle.

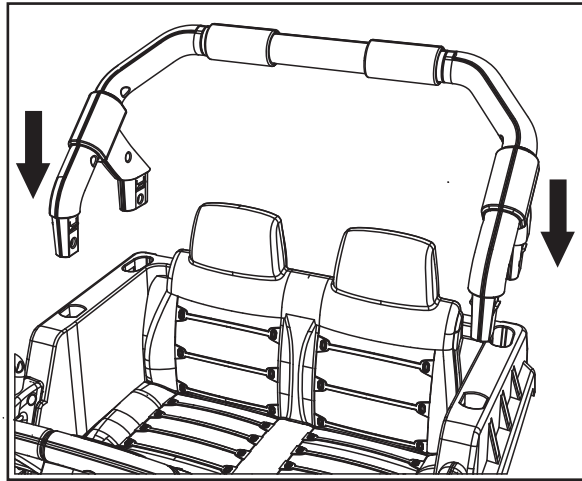


8. Install seat cushion
Insert the seat cushion into the body hole and secure it with screws.

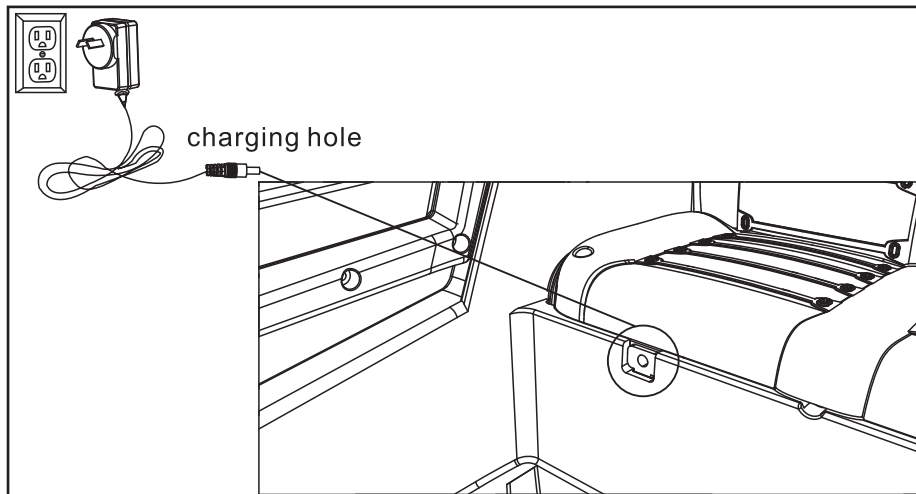
Installation Steps



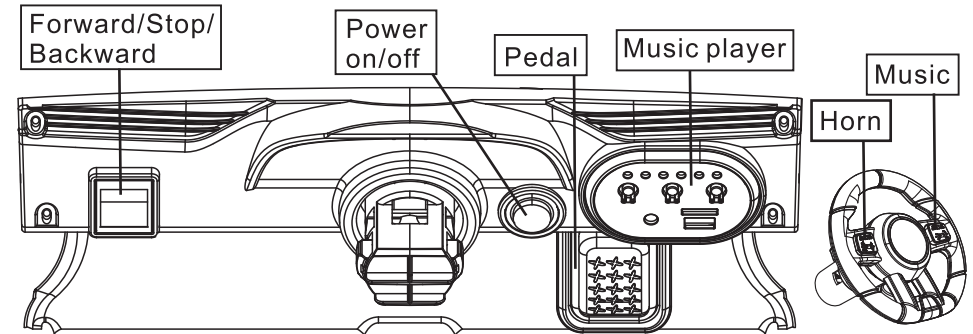
9. Install the rear frame Assembly the rear frame together and fix it according to the diagram.



10. Install the rear frame assembly Insert the rear frame assembly into the corresponding position on the vehicle body as shown in the diagram.



Use Your New Vehicle



1. Manual use

The rider is seated and open the power switch on, then the engine sounds plays. Set the forward/Stop/Backward switch at different position. press the pedal by foot, the vehicle will move forward, stop or backward.

2. Remote control use

First set codes according to the instructions of the remote control. The setting codes instruction is in the remote control box and also showed in next page of this manual, please read carefully before use. After set codes successfully, then the vehicle can be used by remote control. Press Forward, Back, Left, Right button on the remote, the vehicle will move to different directions accordingly. Press P button, the vehicle will stop from moving. Press S button to select different speed, the lights on remote control display different speed.

Once codes setted successfully, the vehicle will be used by remote control in priority.

3. Close the power switch to OFF once not use the vehicle, set the foward/stop/backward switch to STOP. No music will play.

4. Fuse

The vehicle is equipped with a self-resetting fuse, if any abnormalities caused electric current overload, the fuse will be trip, waiting for about 10s then it will be self-resetted.

5. Music player

LED lights for power display, 4 little button for different sound, long press “-” or “+” button for volume down or up, USB socket, SD card socket, insert connectin wire to connect to Mp3 or mobile.

WARNING: This vehicle is not transport and child can only used under adult's supervision. Training and make sure the child knows how to ride it safety before use it!