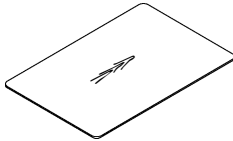
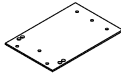
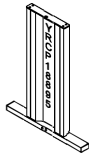
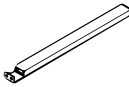


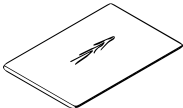
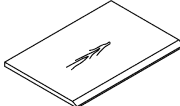
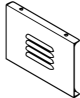


# ASSEMBLY INSTRUCTION









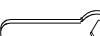
## Accent Table w/Wall Shelf

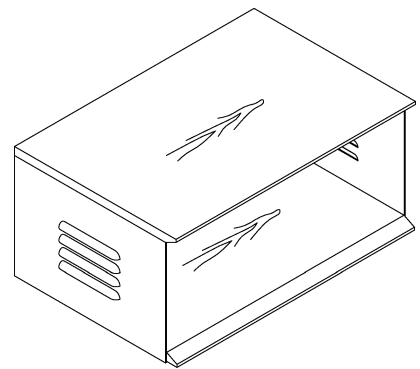
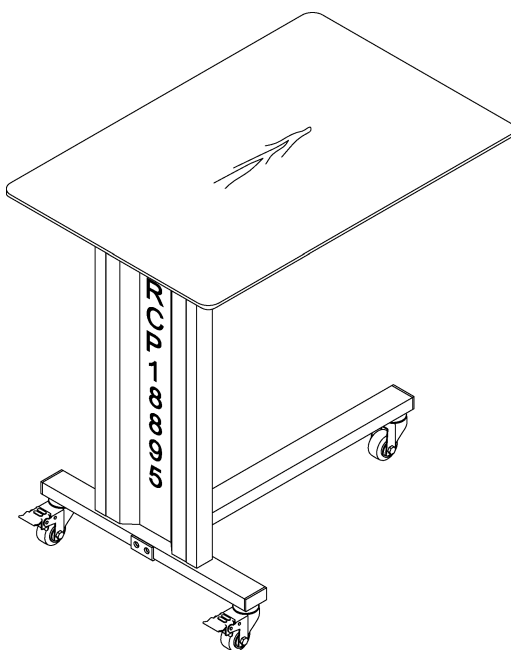
Thank you for purchasing this quality product. Be sure to check all packing materials carefully for small parts which may have come loose inside the carton during shipment. Separate, identify, and count all parts and metal hardware. Compare with parts list to be sure all parts are present. If any part(s) are missing or damaged, please contact your local furniture dealer. For efficient and speedy service, please indicate the model number and code letter of the part(s) needed.

**\*\*\* Do not fully tighten screws until fully assembled \*\*\***

COMPONENT PARTS		
DECERPTION	PART NAME	Q'TY(PCS)
①	Top Board 	1pc
②	Top Plate 	1pc
③	Side Plate 	1pc
④	Tube 	1pc
⑤	Wheel With Lock 	2pcs
⑥	Wheel 	1pc
⑦	Upper Board 	1pc
⑧	Lower Board 	1pc
⑨	Left Plate 	1pc

10	Right Plate		1pc
----	-------------	--	-----

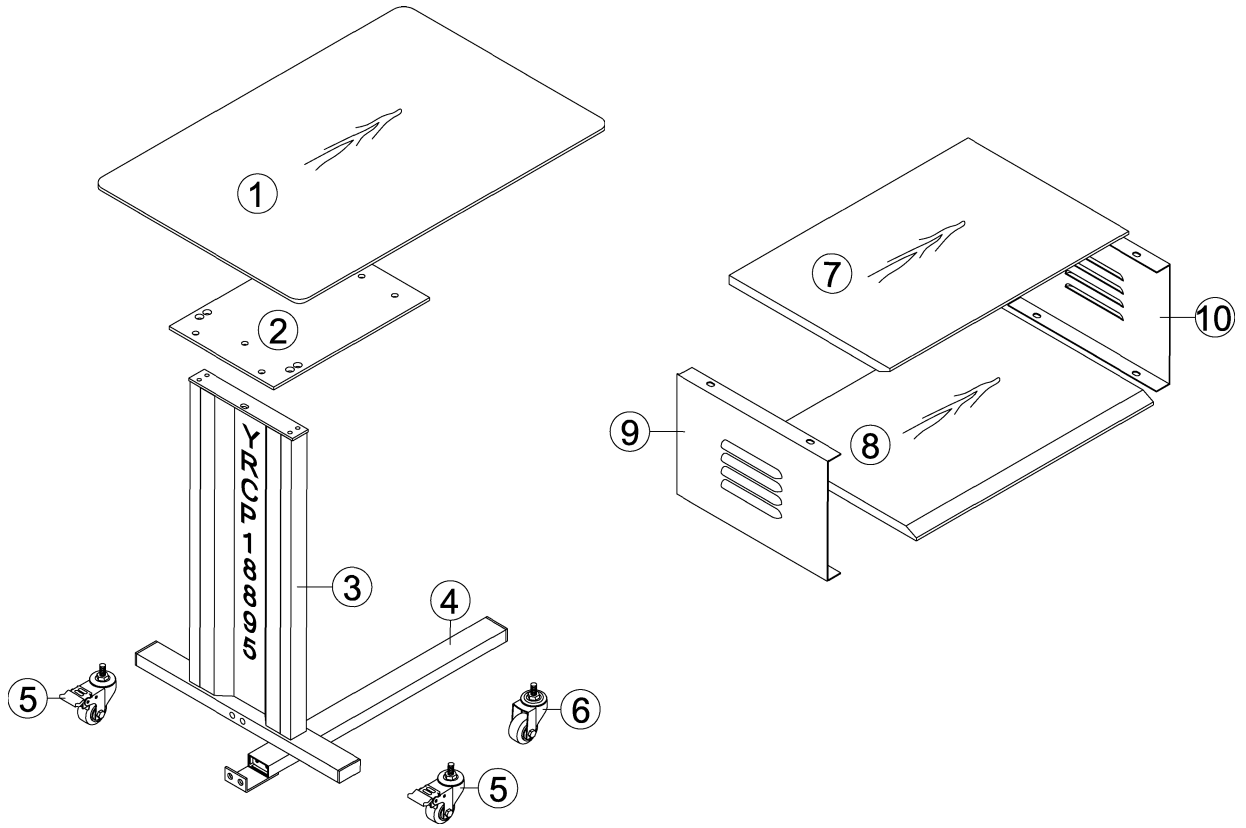
<b>HARDWARE REQUIRED:</b>	
A 	Bolt 1/4"x5/16" - 4pcs
B 	Bolt 1/4"x5/8" - 6pcs
C 	Bolt 1/4"x1/2" - 8pcs
D 	Bolt 1/4"x2-1/2" - 2pcs
E 	Screw M5x30 - 4pcs
F 	Washer Ø5x25 - 4pcs
G 	Plastic Bolt Ø14xØ6x1.0 - 4pcs
H 	Allen Wrench M4 - 1pc
I 	Open End Wrench - 1pc



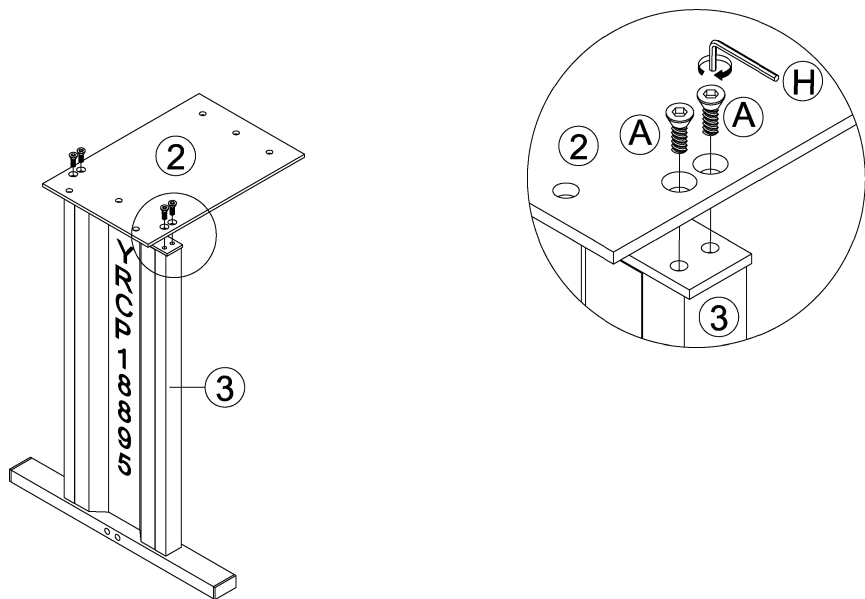
# How to Assemble:

## STEP 1.

### Exploded View



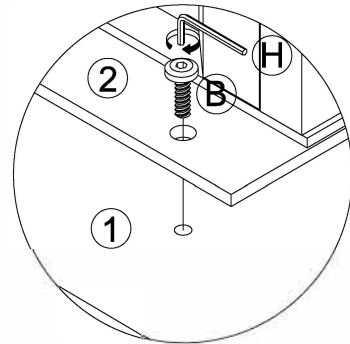
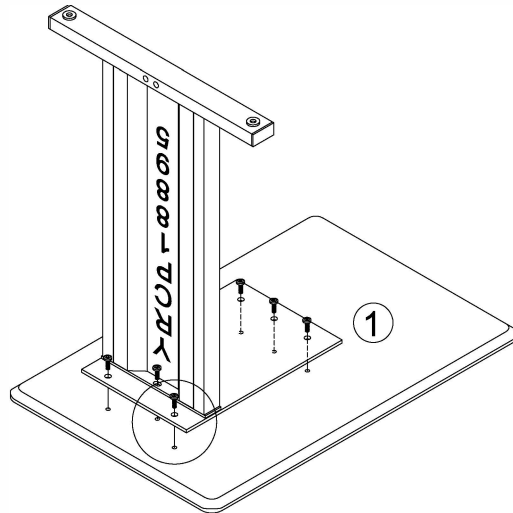
## STEP 2.



4pcs

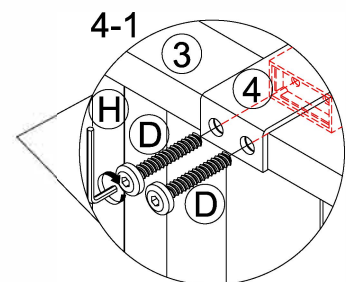
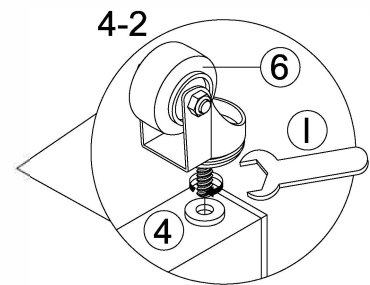
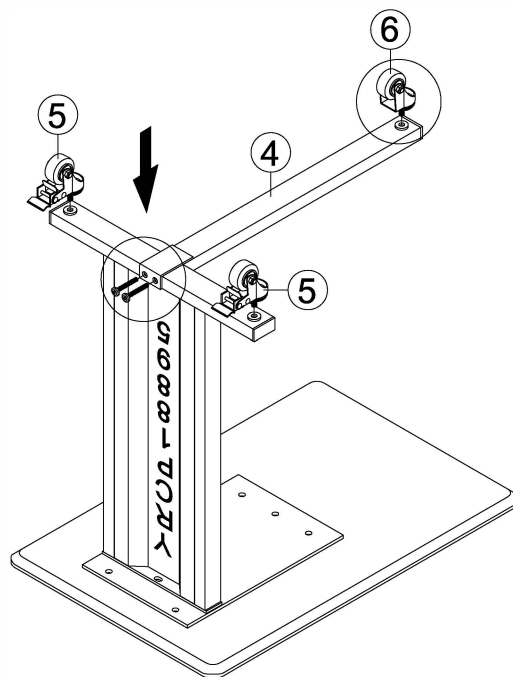
# How to Assemble:

## STEP 3.



**B**  6pcs

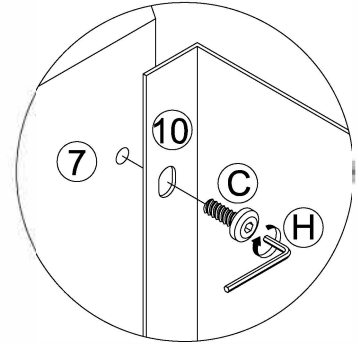
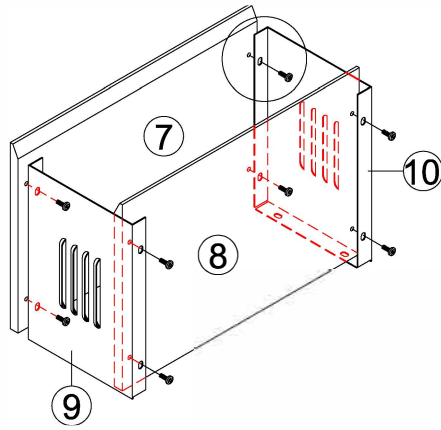
## STEP 4.




**D**  2pcs

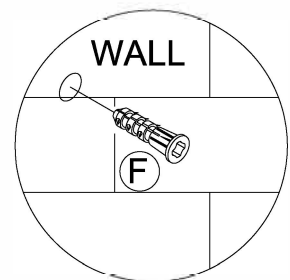
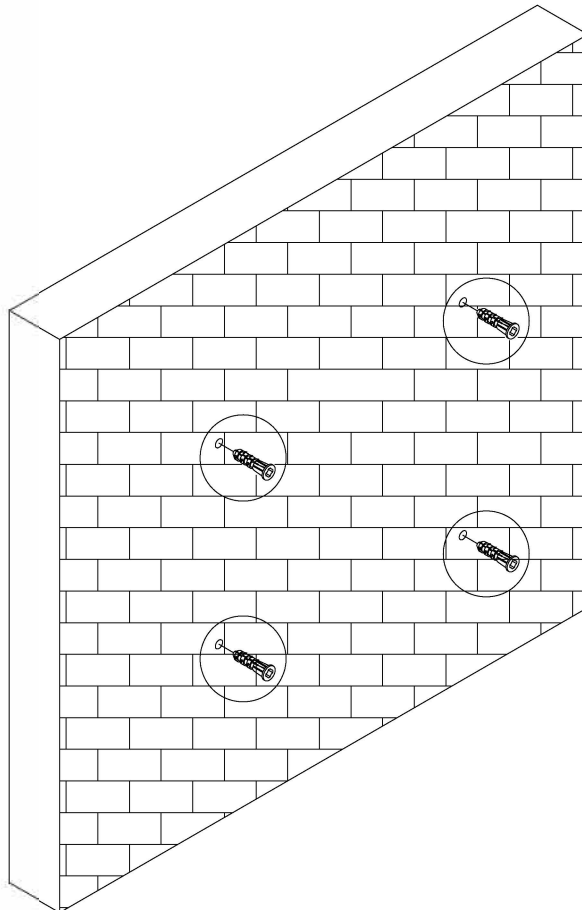
# How to Assemble:

## STEP 5.



**C**  8pcs

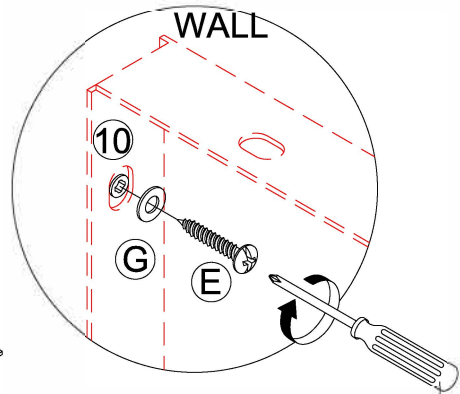
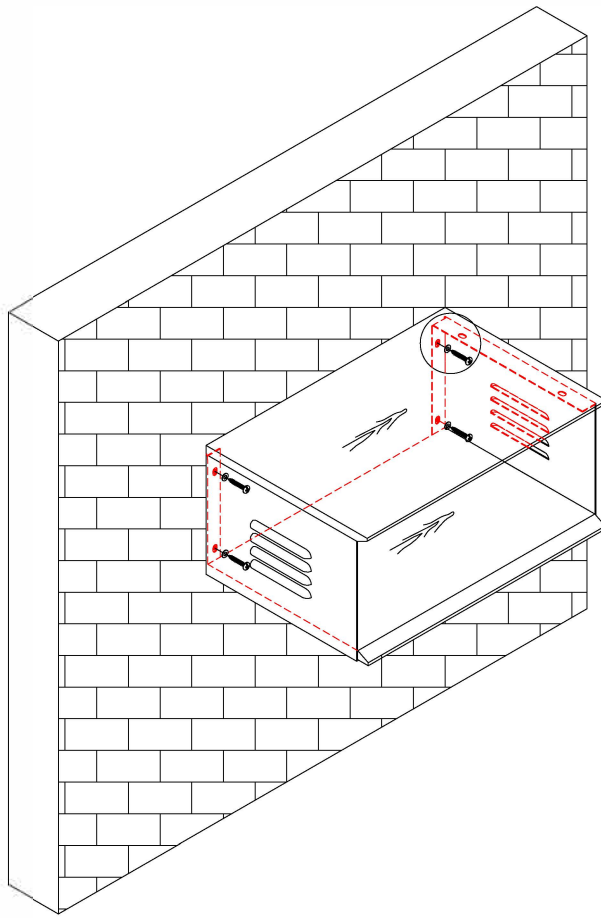
## STEP 6.



**F**  4pcs

# How to Assemble:

## STEP 7.



SCREWDRIVER  
(NOT PROVIDED)

E		4pcs
G		4pcs

## STEP 8.

