
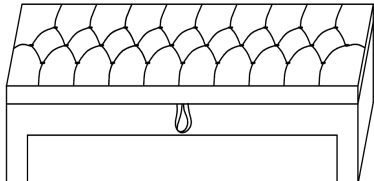



ASSEMBLY INSTRUCTION

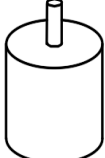
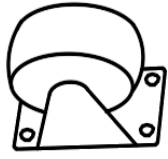

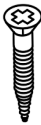
ITEM NO. WF310048

(2-1)1x 

PART LISTS

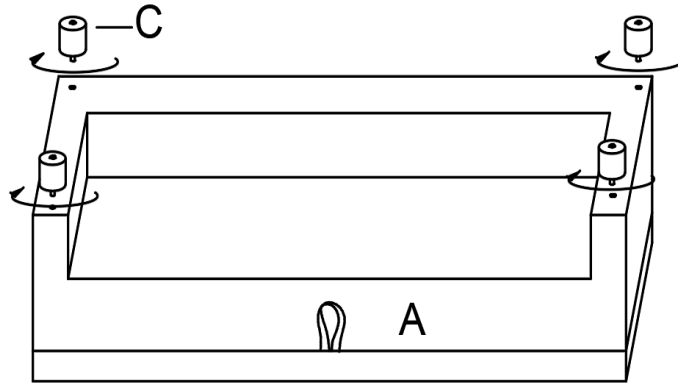
NO.	DESCRIPTION	SKETCH	Q'TY
A	OTTOMAN		1PC
B	OTTOMAN		1PC

HARDWARE LISTS

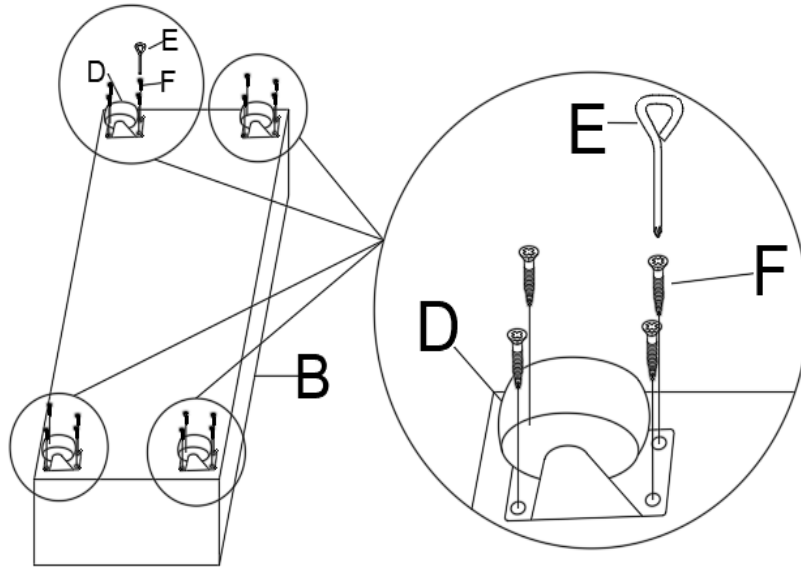
NO.	DESCRIPTION	SKETCH	Q'TY
C	WOOD LEG		4PCS
D	WHEEL		4PCS
E	ALLEN KEY		1PC
F	BOLT		16PCS

THE ASSEMBLY STEP

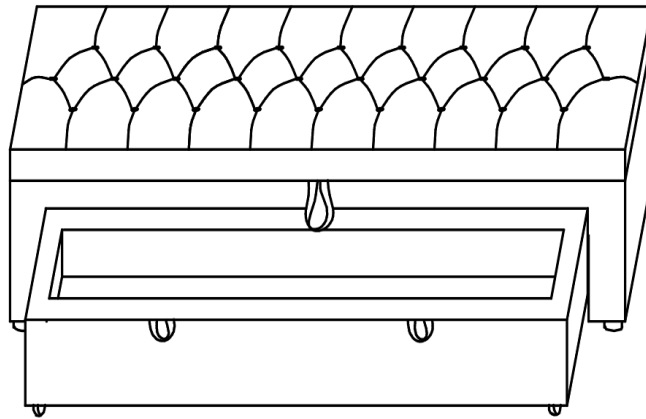
STEP1



STEP2



STEP3



STEP4

