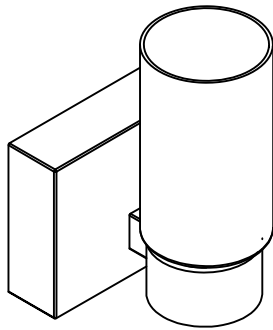


# MYTH REALM

ITEM NUMBER: MRWS-003

Please consult your electrician for hanging fixture and wiring.



The fixture is designed to dim with a standard Triac forward phase dimmer. Dimming levels will vary by dimmer. Below is a list of recommended dimmers:

- Lutron MACL-153M
- Lutron DVL-153P
- Lutron SCL-153P
- Levitton IPL06-10Z
- Levitton 6674-POW

Due to inrush current, wattage should not exceed 150 Watts of product for a 600W dimmer.

**WARNING:** Wires need to be connected to driver found in canopy and should not be connected directly to power source or a short may occur.

3000K DIMMABLE

PRODUCTS ARE NOT INTENDED  
FOR COMMERCIAL USE.

MADE IN CHINA  
Page 1 of (2)

**IMPORTANT:** Turn off the power at the main fuse or circuit breaker box before starting installation



Wire Nuts(AA)



1-1/4" Screws(BB)

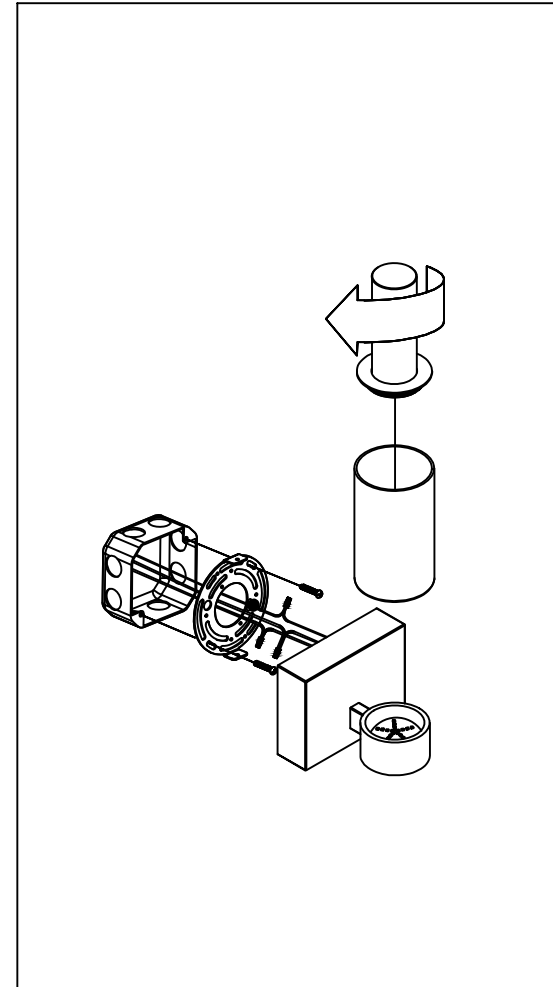


Fixture Screws(CC)

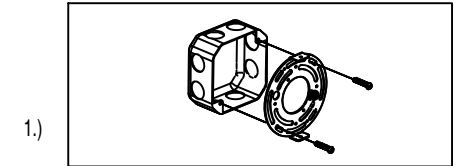


Crossbar Assembly(DD)

Locate all hardware & components before discarding packaging

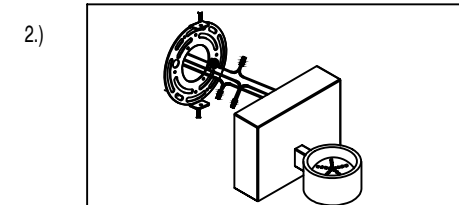


**Cleaning & Care:**  
Clean with soft cloth and a mild detergent.  
Do not use abrasive cleaner.



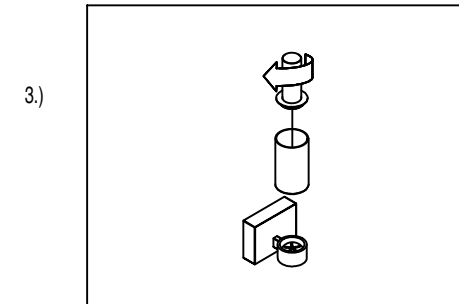
1.)

**Step 1:** Remove the crossbar assembly from the ceiling canopy.  
Secure the crossbar assembly to the outlet box (not included) with the outlet box screws.



2.)

**Step 2:** Use wire connectors to connect the wires.  
**Ground wire:** 1. Wrap the supply ground wire around the green ground screw on the crossbar assembly, no less than 2 in. from the end of the wire. Tighten the ground screw.  
2. Connect the fixture ground wire to the supply ground wire with a wire connector.  
**Supply wire:** 1. Connect the supply white wire to the white fixture supply wire with a wire connector.  
2. Connect the supply black (or red) wire to the black fixture supply wire with a wire connector.  
3. Wrap each connection with approved electrical tape and carefully insert all of the connected wires into the outlet box.  
**Assembling the fixture body to the outlet box:** Line up the holes on the ceiling canopy and the mounting holes on the crossbar assembly(DD). Secure with the lock screws(CC). Tighten until snug.



3.)

**Step 3:** Installing the shade:  
Turn the shades clockwise to the socket cups until secure.

Page 2 of (2)