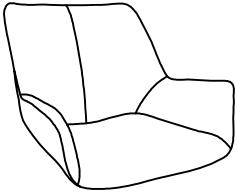
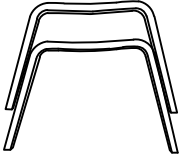
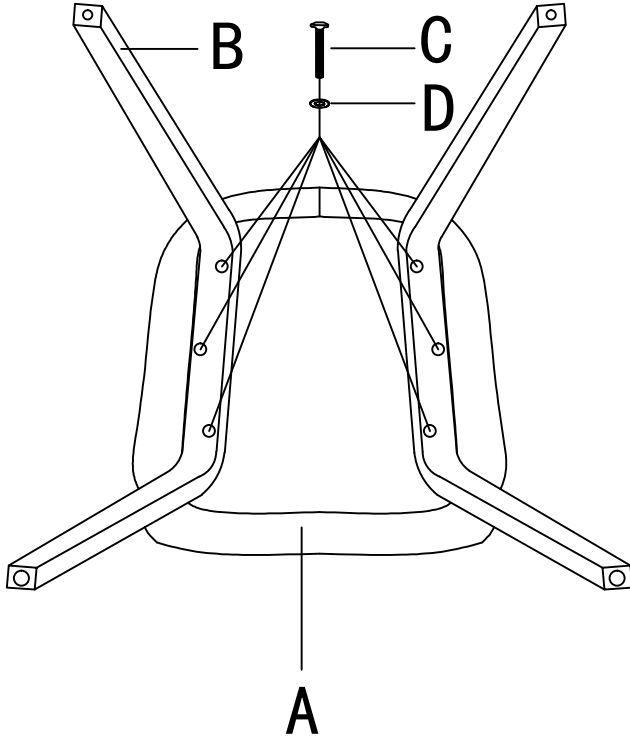
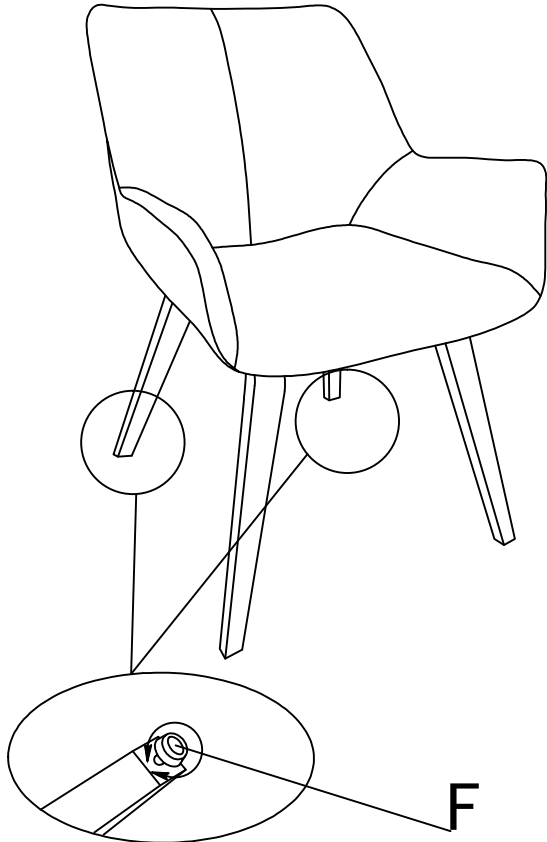





ASSEMBLY INSTRUCTION

<p>Ax1</p> 	<p>Bx2</p> 	<p>①</p> 	<p>②</p>  <p>Level Adjustment</p>
<p>Cx6</p> 	<p>Dx6</p> 		
<p>Ex1</p> 	<p>Fx2</p> 