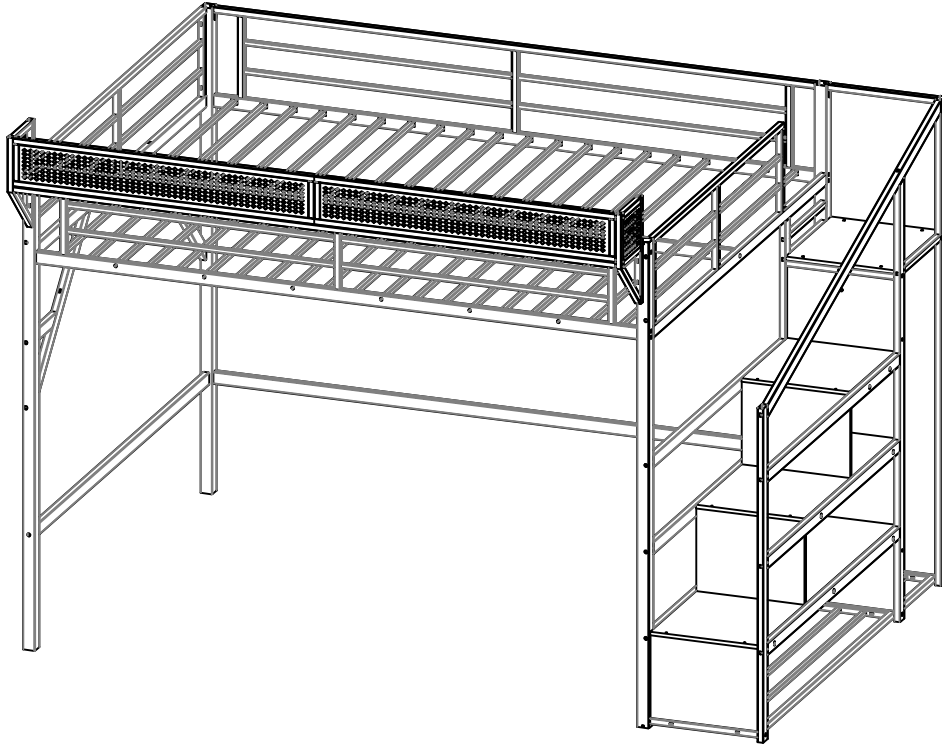


SKU:W00201

THE BED ASSEMBLY INSTRUCTIONS



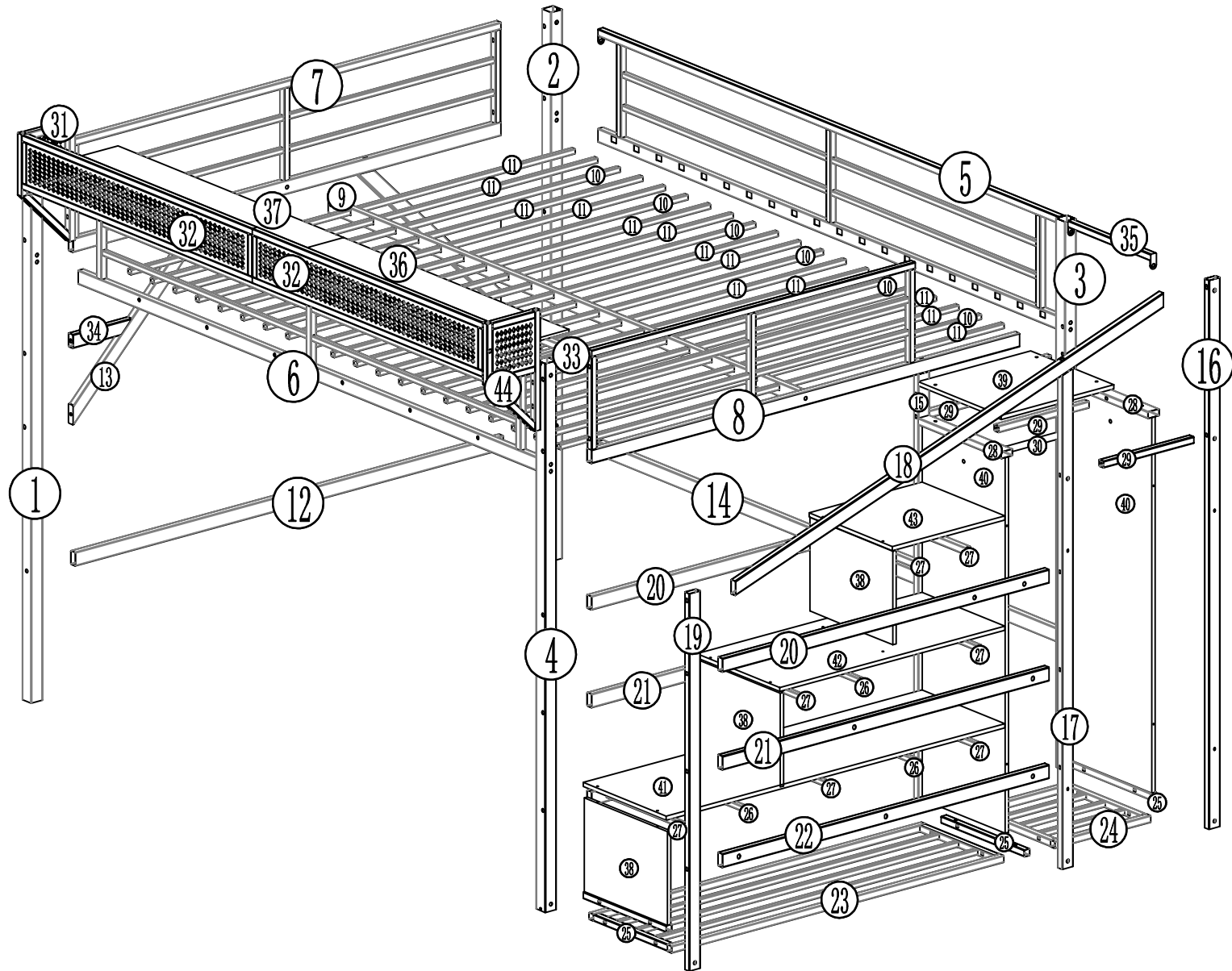
Please use the screws correctly according to the instructions. Thank you.

SAFETY WARNINGS AND GENERAL NOTES:







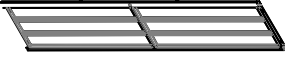


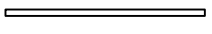
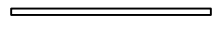
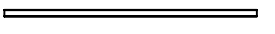




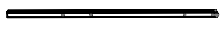







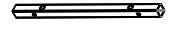
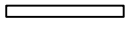
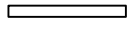

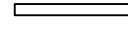








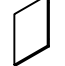
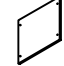
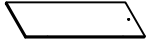
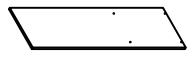
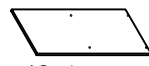
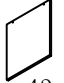

1. Follow the information on the warnings on the bunk bed end structure and on the carton. Do not remove the warning label from the bed.
2. Always use the recommended size mattress on mattress support, or both, to help prevent the likelihood of entrapment or falls.
3. Do not allow children under 6 years of age to use the upper bunk.
4. Periodically check and ensure the guardrail, ladder and other components are in their proper position, free from damage, and all connectors are tight.
5. Do not allow horseplay on or under beds.
6. Always prohibit jumping on the bed.
7. Prohibit more than one person on upper bunk.
8. Always use the ladder for entering and leaving the upper bunk.
9. Do not use substitute parts. Contact the manufacturer or dealer for replacement parts.
10. Use of a night-tight may provide added safety precaution for a child using the upper bunk.
11. Always use guardrails on both long sides of the upper bunk.
12. If the bunk bed will be placed next to a wall, the guardrail that runs the full length of the bed should be placed against the wall to prevent entrapment between the bed and the wall.
The use of water or sleep flotation mattresses is prohibited.
13. **STRANGULATION HAZARD**-Never attach or hang items to any part of the bunk bed that are not designed for use with the bed; for example, but not limited to, hooks, belts and jump ropes.
14. Keep these instructions for future reference.
15. We recommend assembling your bunk bed on the shipping carton to protect your floor or carpet.
16. Be certain all staples are out of the box before beginning assembly on the shipping carton.
17. USE ONLY MATTRESSES WHICH ARE AS THE TABLE BELOW ON UPPER AND ON LOWER BUNKS.
Up bed (bunk bed and tribed included)

Mattress size	Length	Width	Thickness
FULL Standard	74"-75"	53"-54"	6"max
18. SURFACE OF MATTRESS MUST BE AT LEAST 5"(127MM) BELOW THE UPPER EDGE OF GUARDRAILS.
19. Replacement Parts:
Replacement Parts, including additional guardrails, may be obtained from any of our (Shenzhen Yuefeng Zhiqi Technology Co., Ltd) dealers.

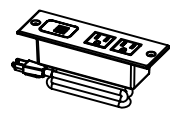














Bed parts view



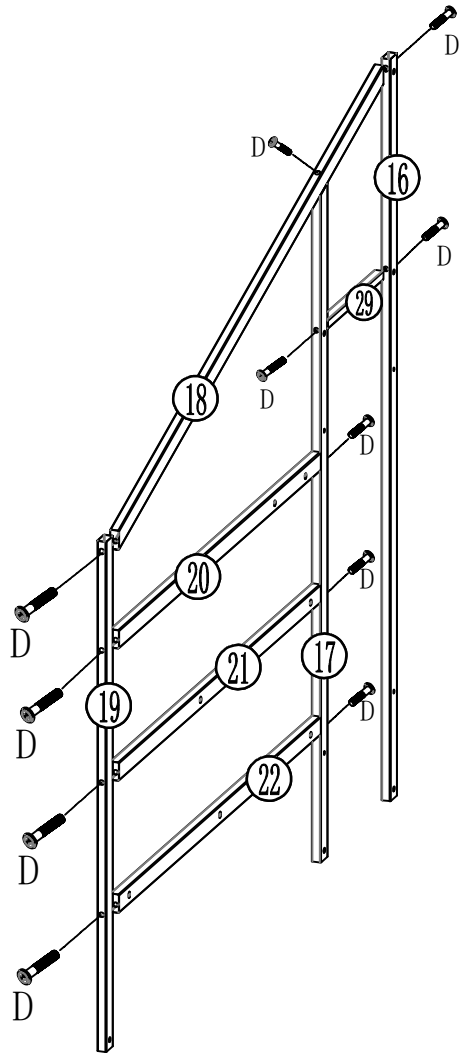
Part List

 1-1pcs	 2-1pcs	 3-1pcs	 4-1pcs	 5-1pcs	 6-1pcs		
 7-1pcs	 8-1pcs	 9-1pcs	 10-6pcs	 11-13pcs	 12-1pcs		
 13-2pcs	 14-1pcs	 15-1pcs	 16-1pcs	 17-1pcs	 18-1pcs		
 19-1pcs	 20-2pcs	 21-2pcs	 22-2pcs	 23-1pcs	 24-1pcs		
 25-3pcs	 26-3pcs	 27-7pcs	 28-2pcs	 29-4pcs	 30-1pcs		
 31-2pcs	 32-2pcs	 33-1pcs	 34-2pcs	 35-1pcs	 36-1pcs		
 37-1pcs	 38-3pcs	 39-1pcs	 40-2pcs	 41-1pcs	 42-1pcs	 43-1pcs	 44-1pcs

Hardware List

 P Socket 1pcs	 A	 B	 C	 D	 E	 F	 G 4*35-22PCS	 H 4*50-6PCS	 O	 M L=4MM	 K 40PCS	 U 2PCS	 T 4PCS
 Q Light strips 1pcs	4*10 2PCS	8*15 3PCS	8*35 42PCS	8*55 62PCS	6*30 12PCS	8*15-30PCS				L=5MM			

Step 1

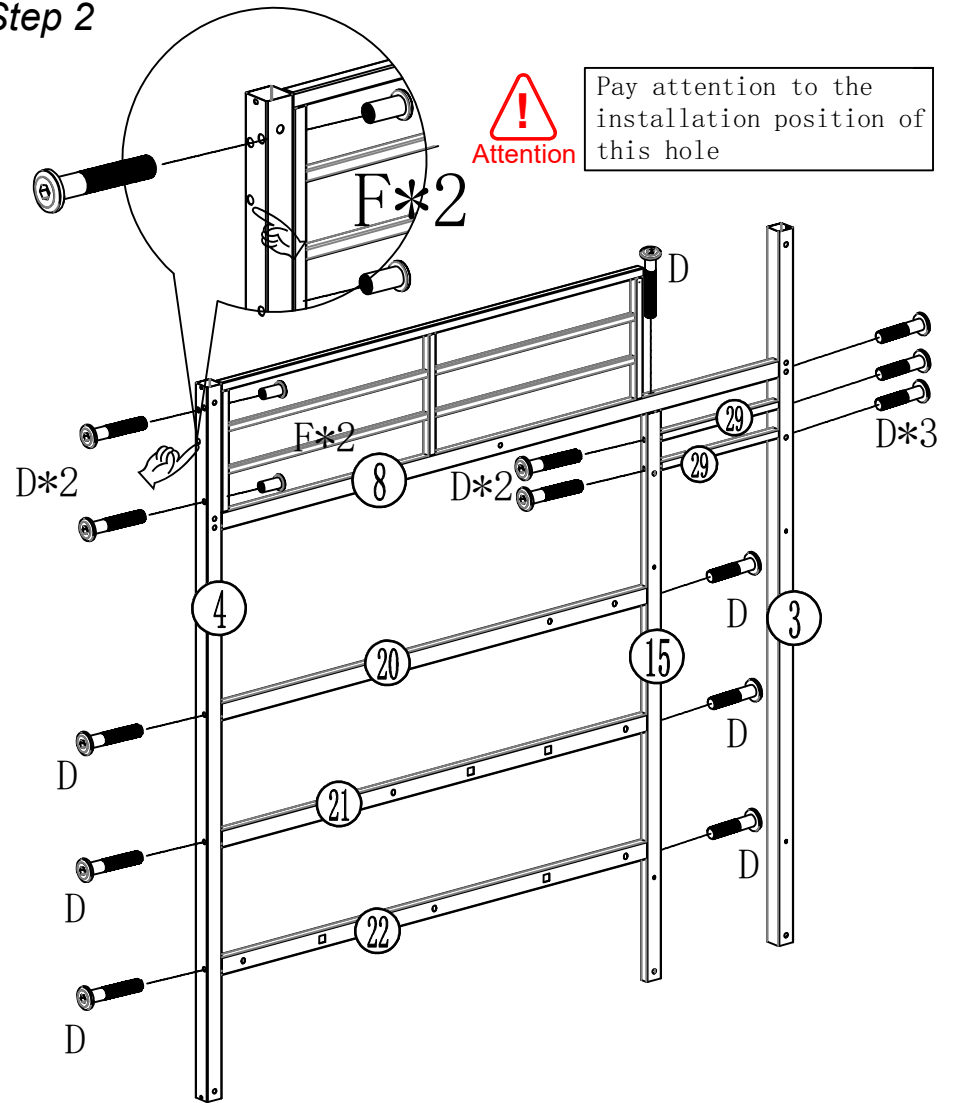


D
8*55-11PCS



L

Step 2



D
8*55-14PCS

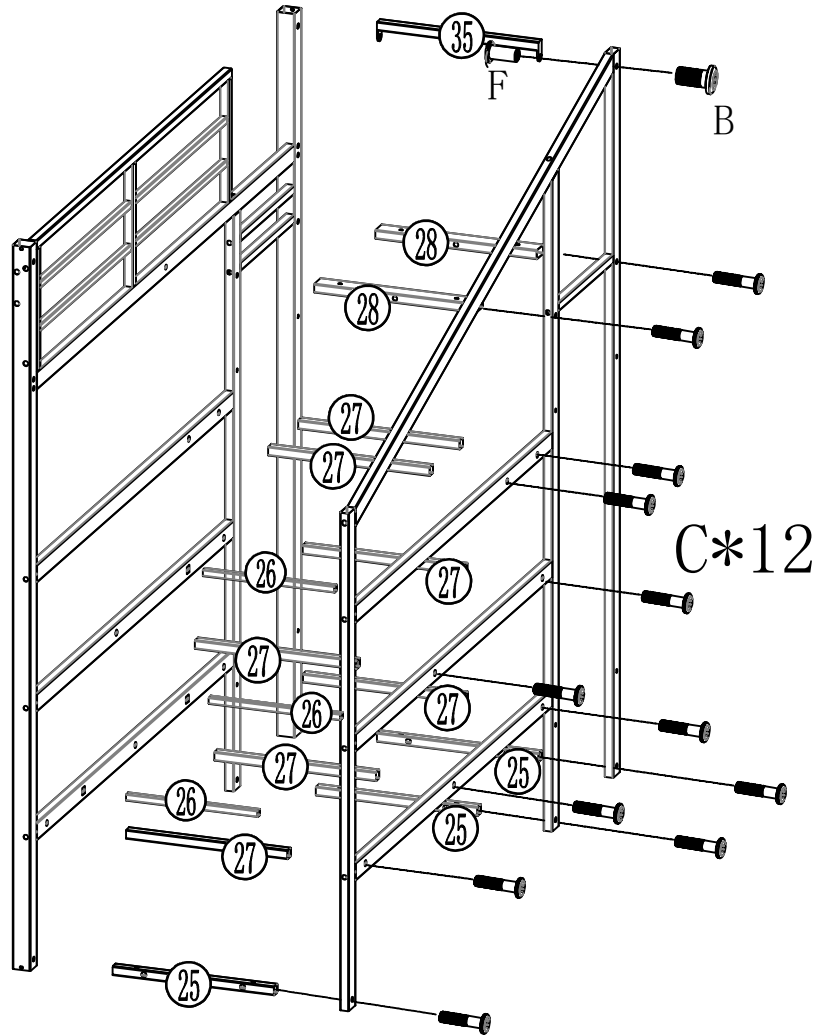


F
4*15-2PCS



L

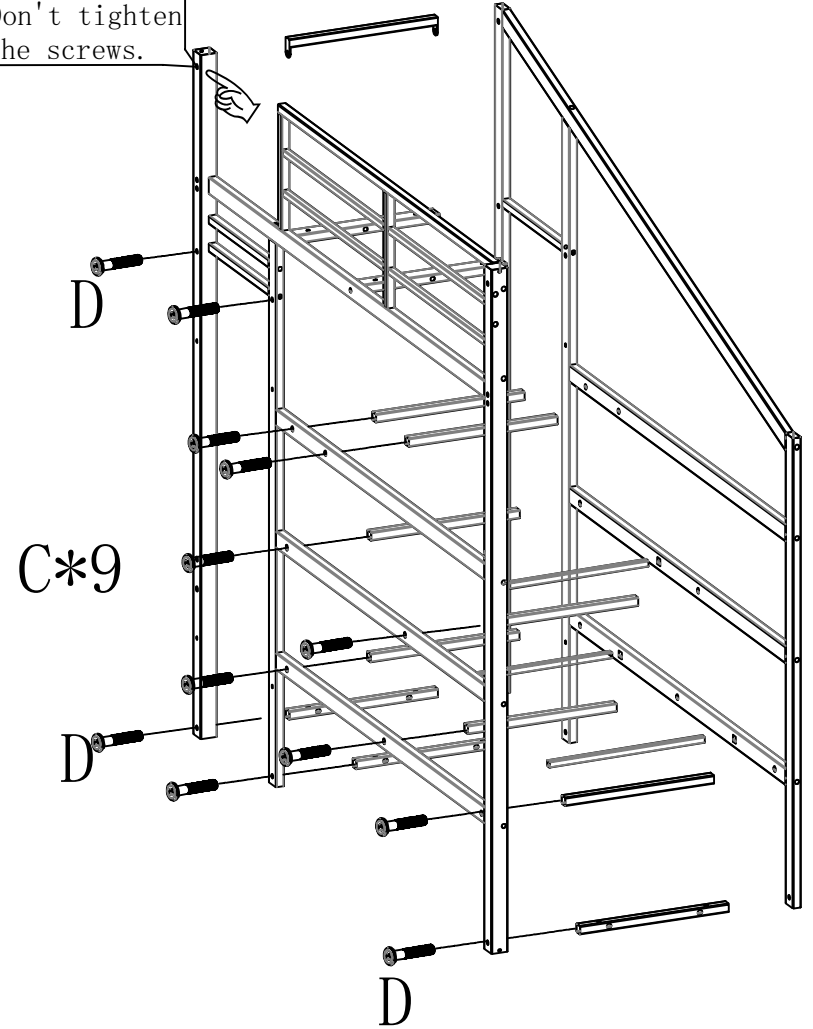
Step 3



Step 4



Don't tighten the screws.



F
4*15-1PCS



C
8*35
12PCS



B
8*15-1PCS



L



C
8*35
9PCS

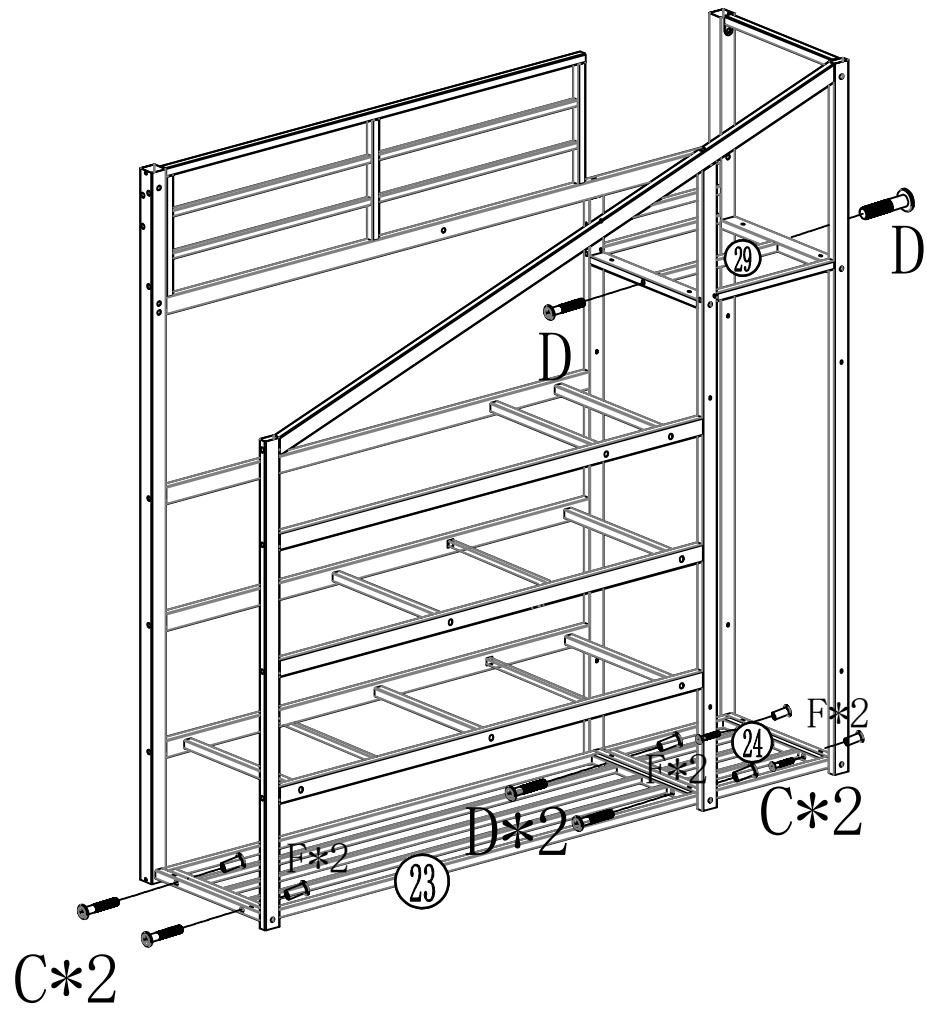


D
8*55-3PCS

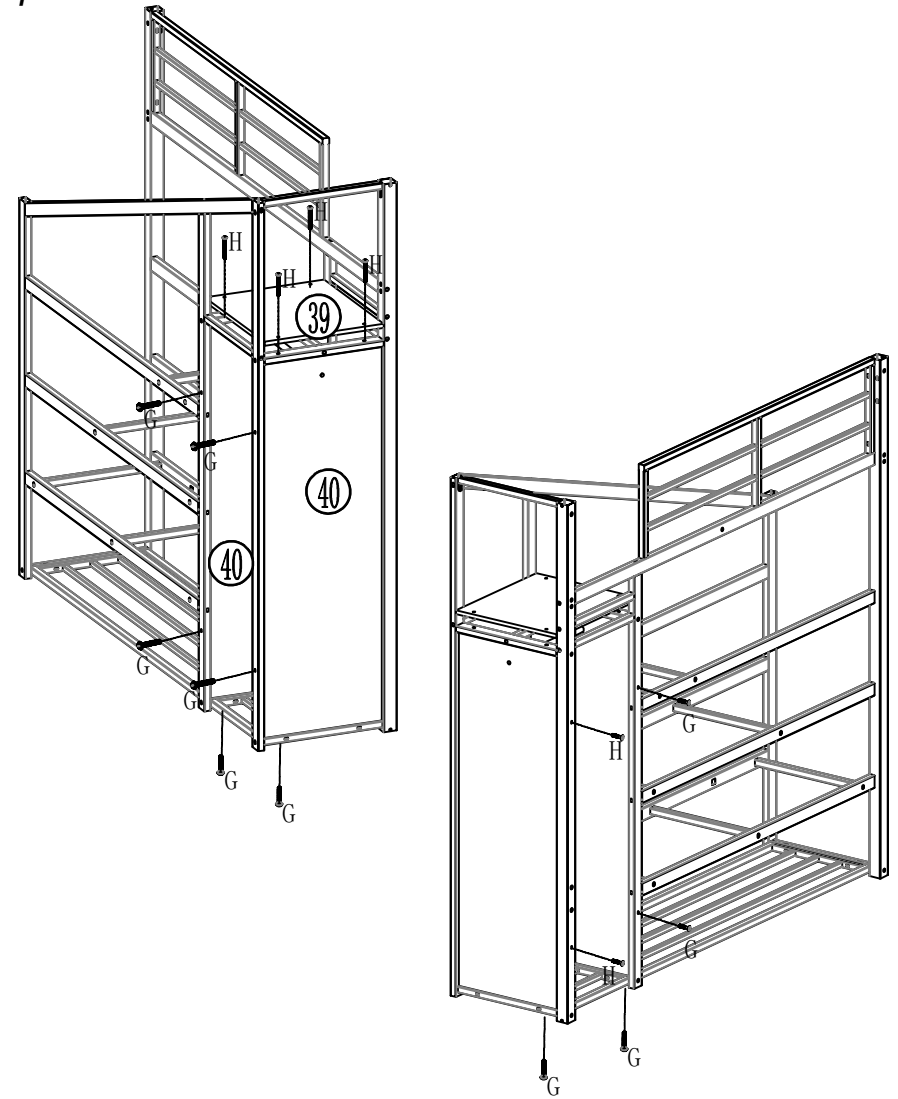


L

Step 5



Step 6



F
4*15-6PCS



C
8*35
4PCS



D
8*55-4PCS



L



H
4*50-6PCS

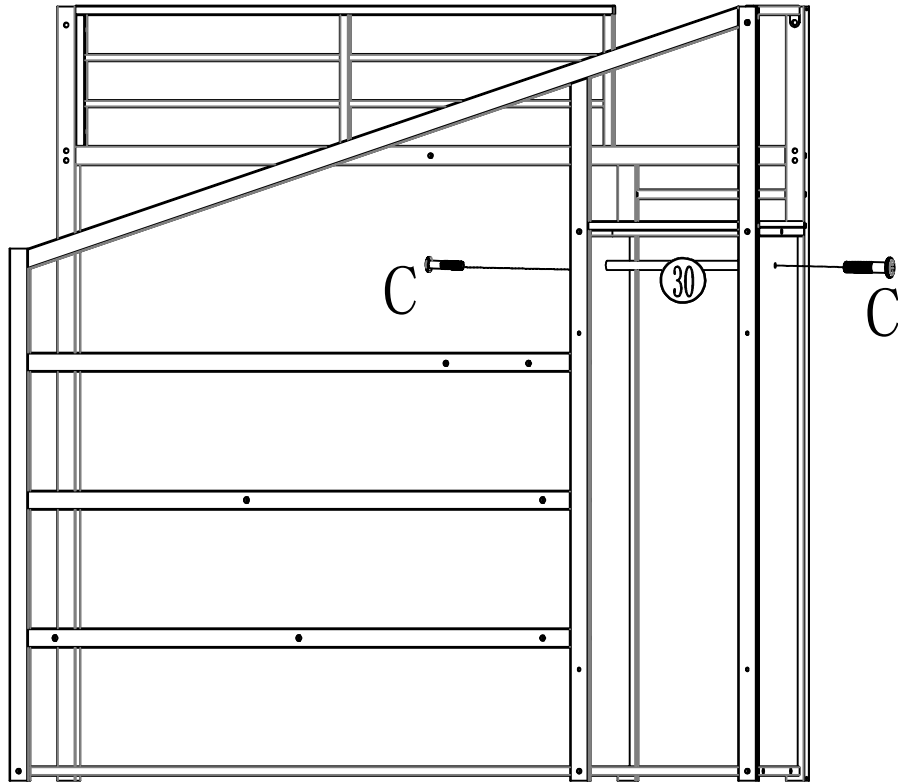


G
4*25-10PCS



M

Step 7

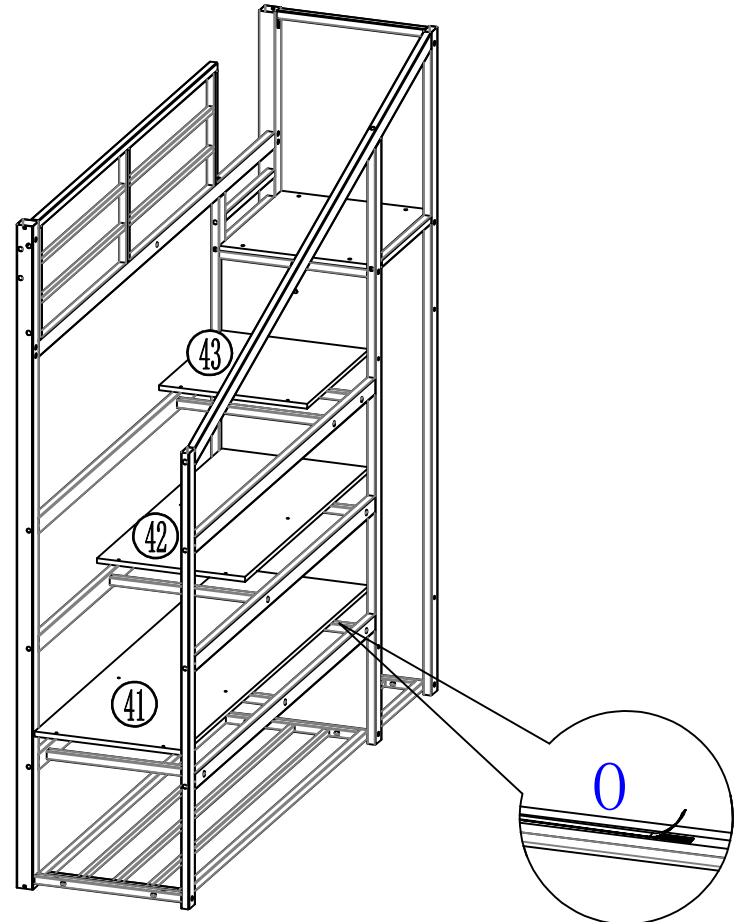


C
8*35
2PCS



L

Step 8

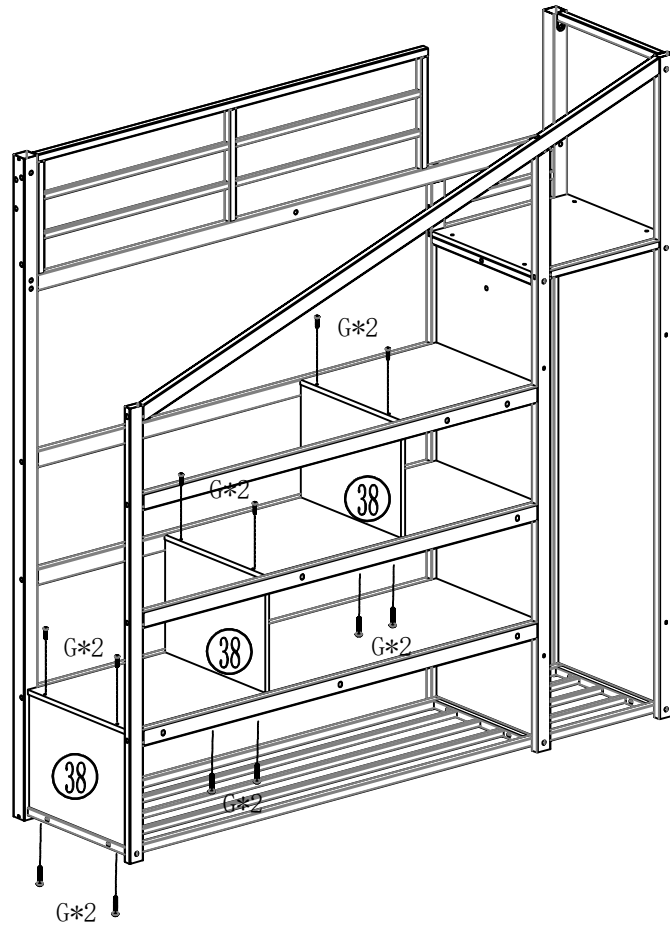



Please secure with double-sided tape O

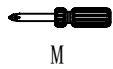


O

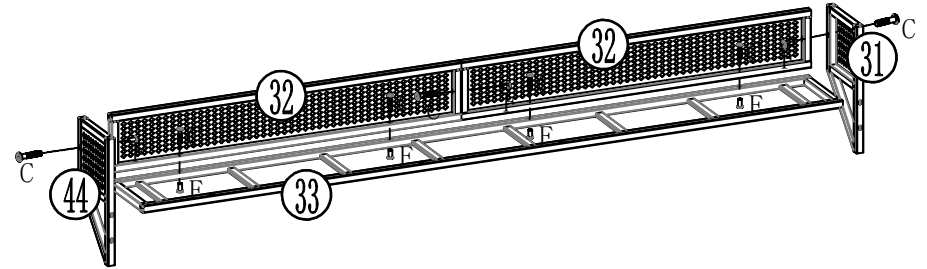
Step 9




 G
4*25-12PCS




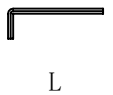
Step 10



Install the spare one.

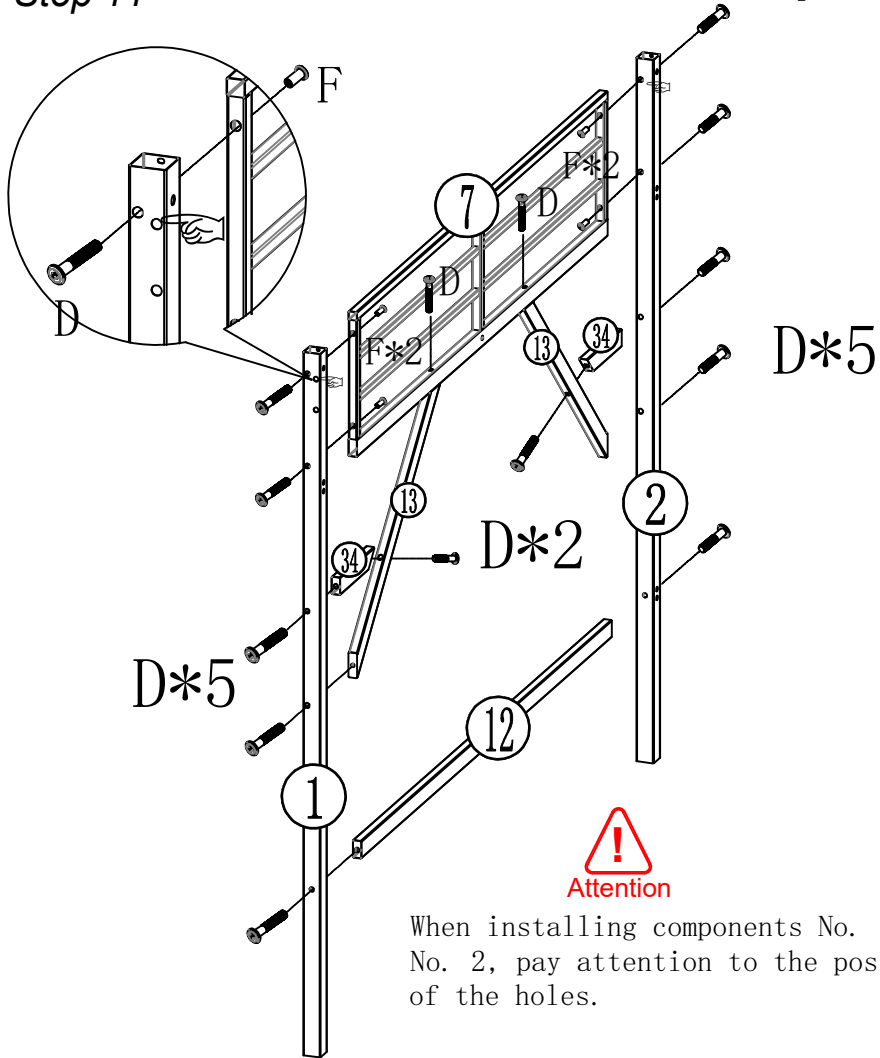
 F
4*15-7PCS

 C
8*35
7PCS



Step 11

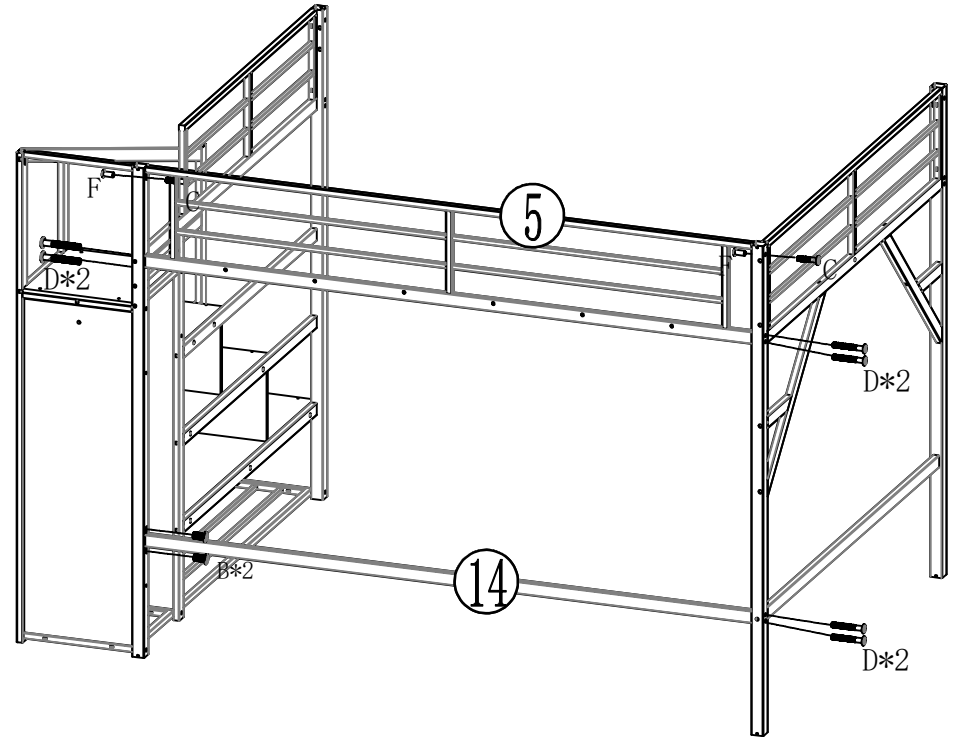
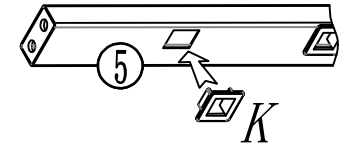
Install the spare one.



Attention

When installing components No. 1 and No. 2, pay attention to the position of the holes.

Step 12



F
4*15-4PCS



D
8*55-14PCS



L



D
8*55-6PCS



F
4*15-2PCS



B
8*15-2PCS

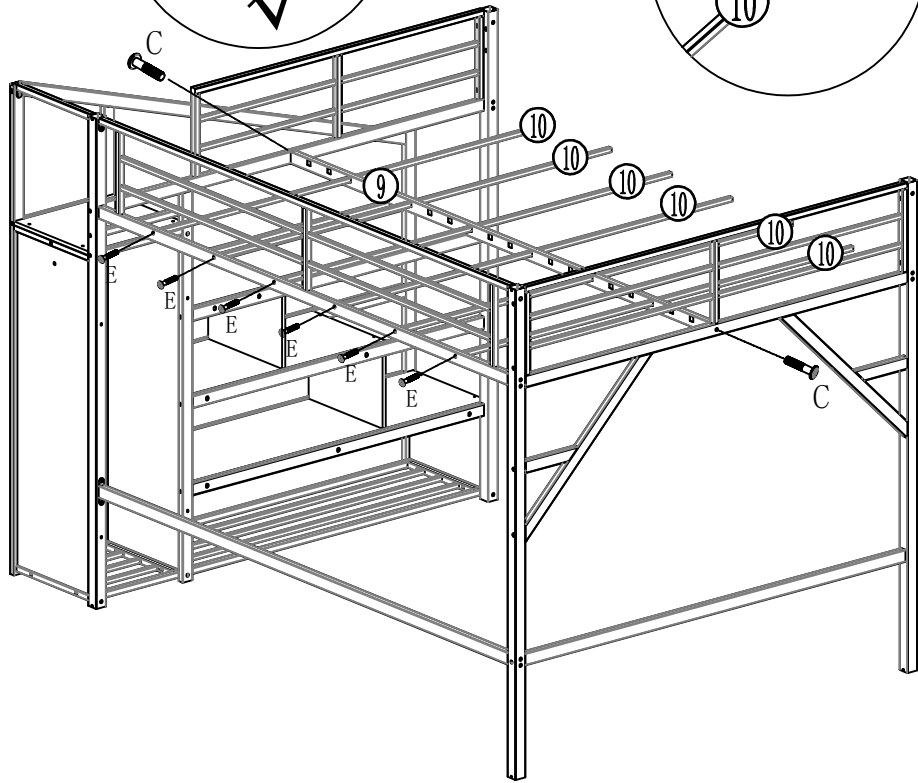
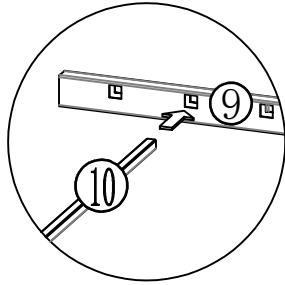
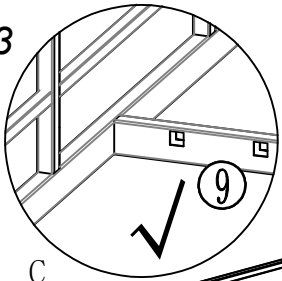


C
8*35
2PCS

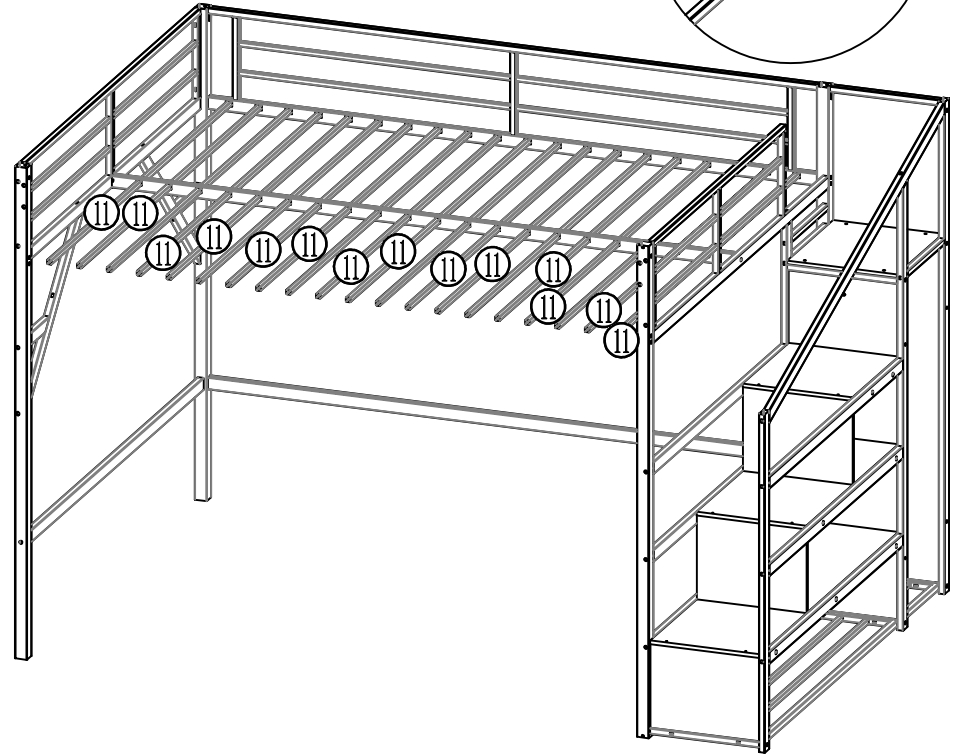
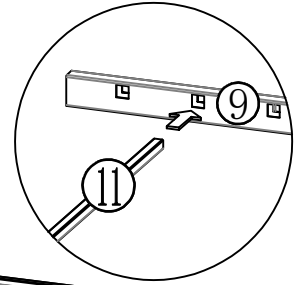


L

Step 13



Step 14



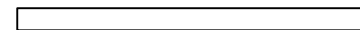
C
8*35
2PCS



L

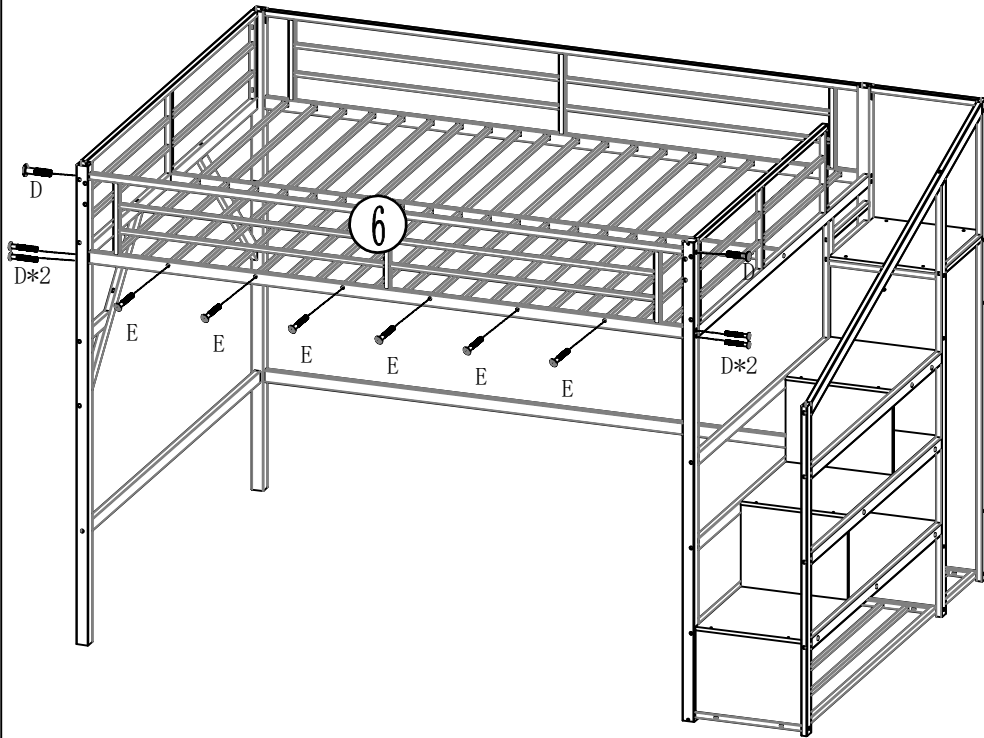
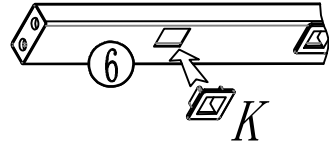


E
6*25-6PCS

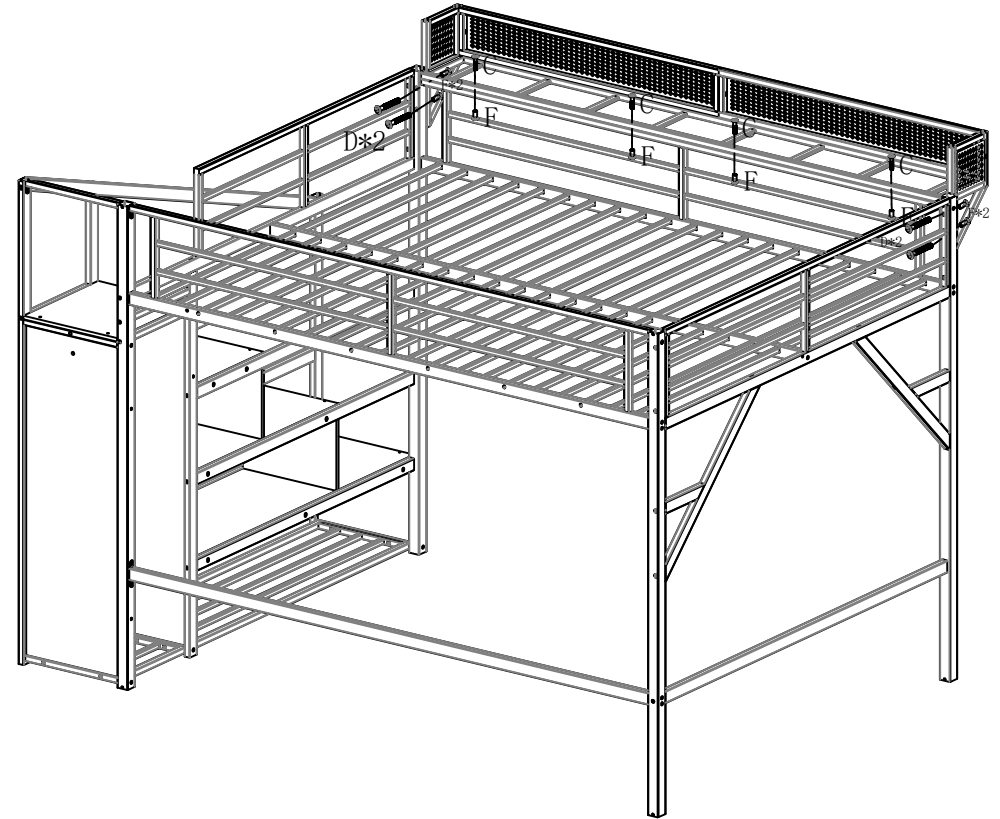


#11
13PCS

Step 15



Step 16



D
8*55-6PCS



L



E
6*25-6PCS



D
8*55-4PCS



F
4*15-8PCS



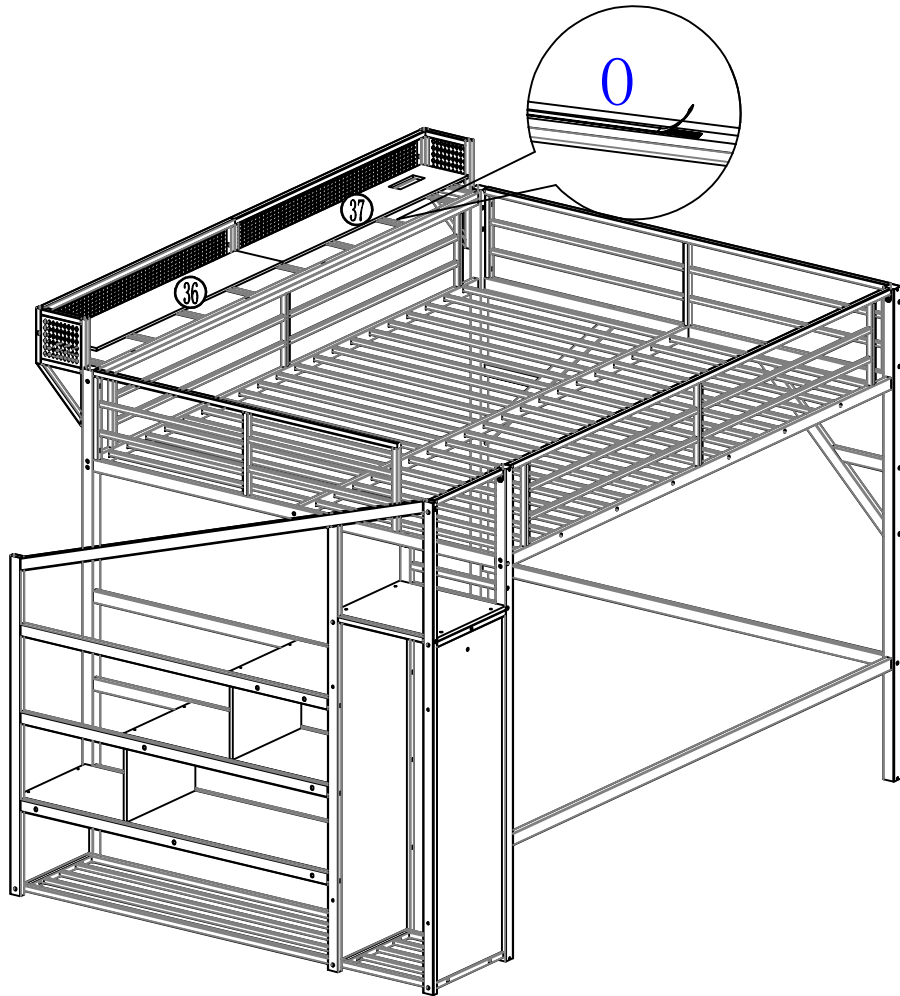
C
8*35
4PCS



L

Step 17

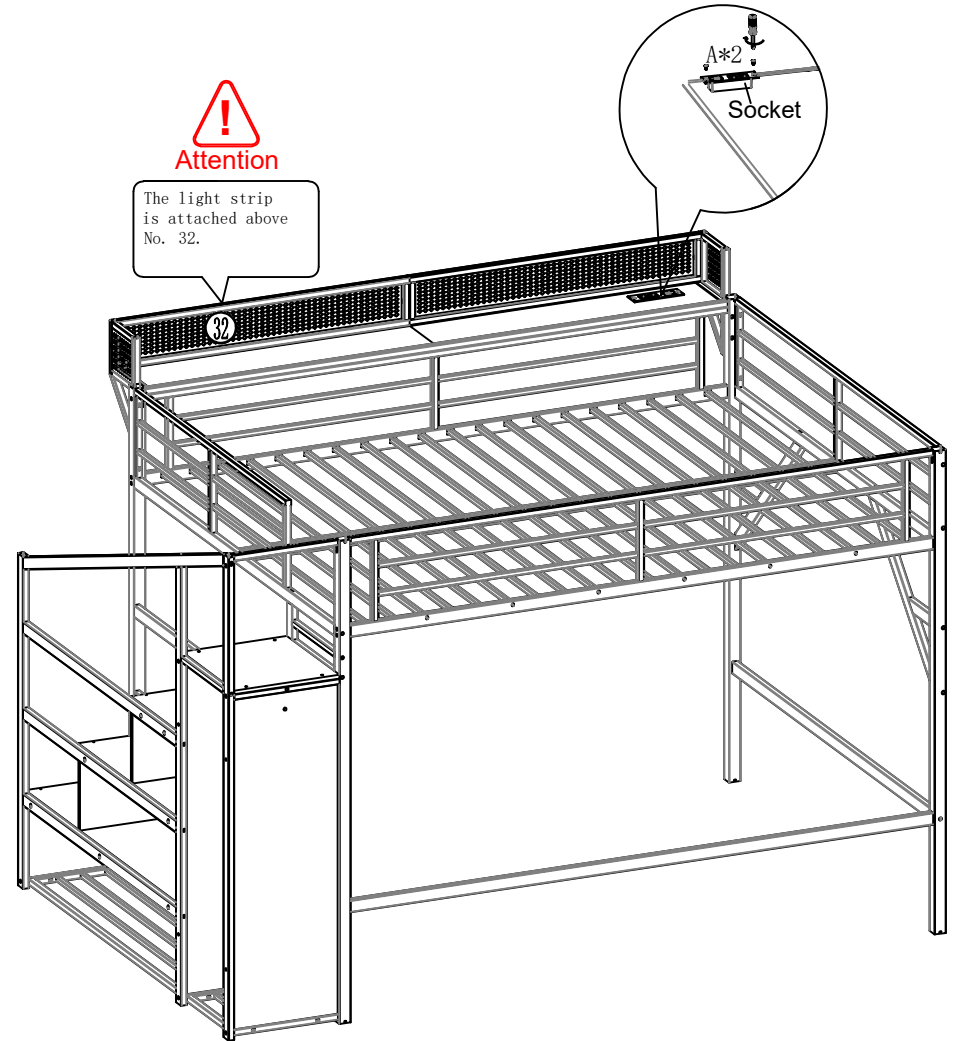
Please secure No. 36 with double-sided tape O



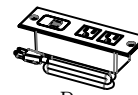
Step 18



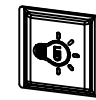
The light strip is attached above No. 32.



O



P
Socket-1pcs



Q
Light strips
1pcs

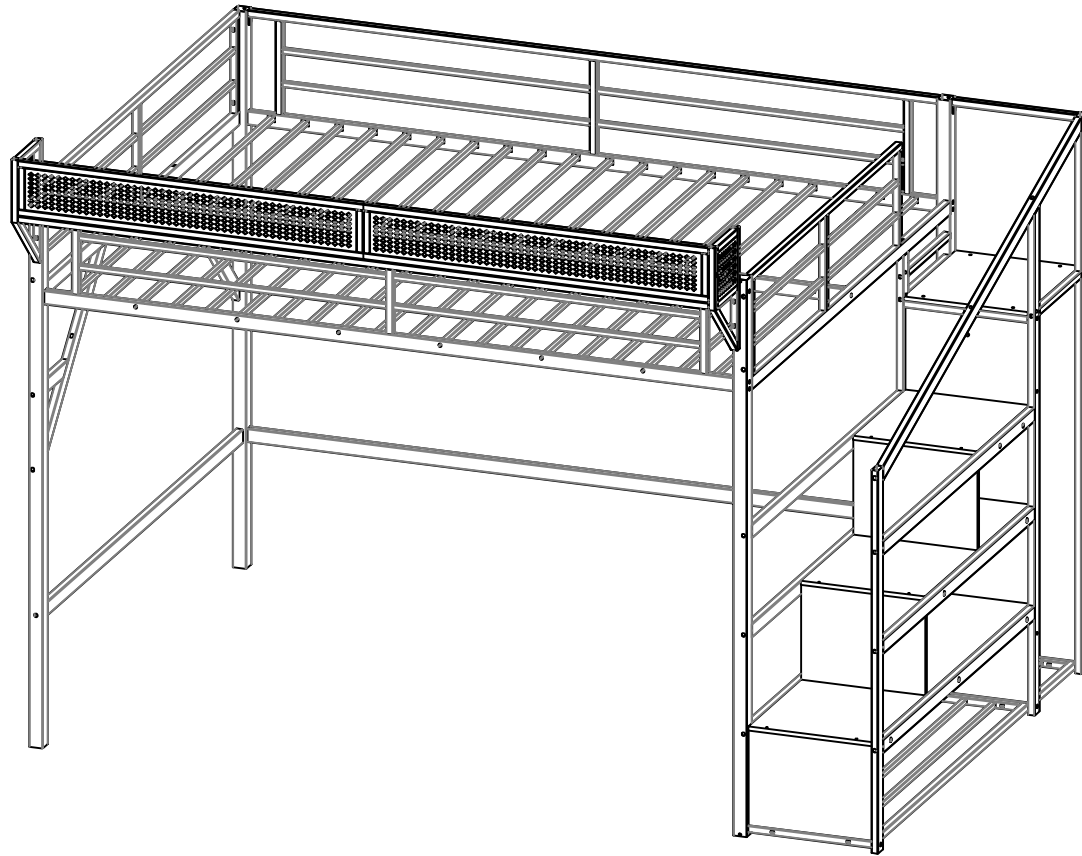


A 4*10-2PCS



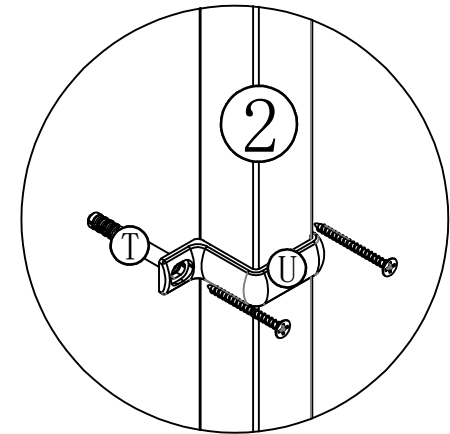
M

Completed loft bed



Tips:

If you feel that the bed is a little wobbly then please use the parts "U" and "T" for reinforcement



Please make sure all bolts are fastened before use, thank you.