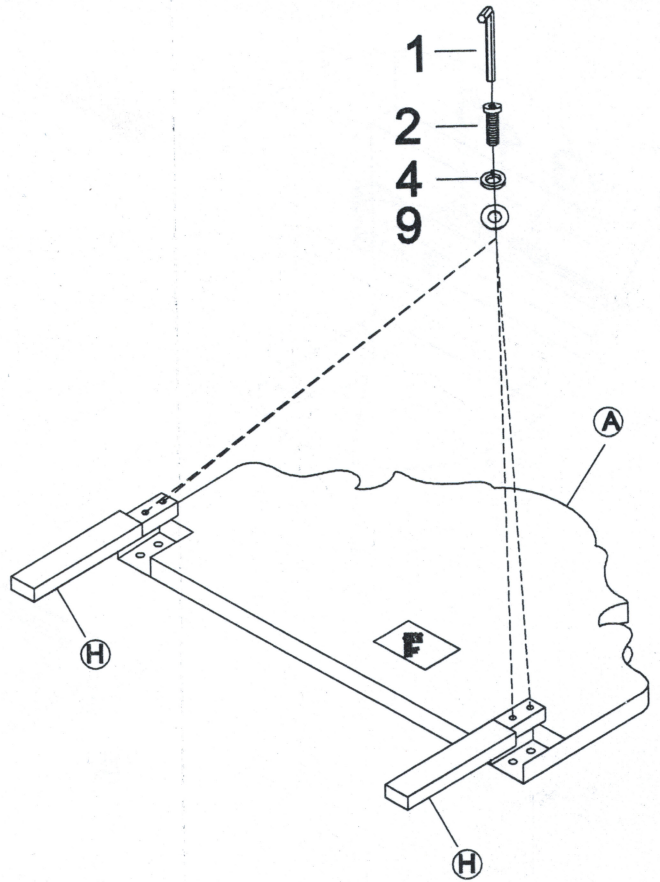
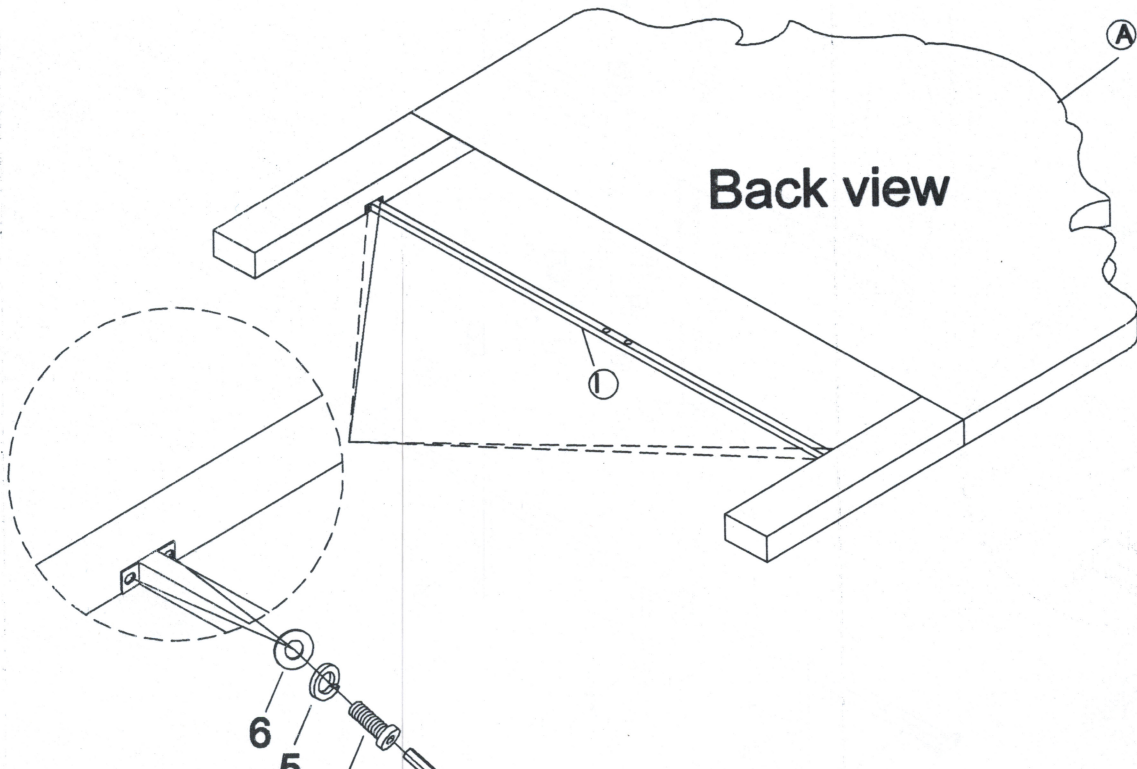


step 1



step 2

Back view



Back view