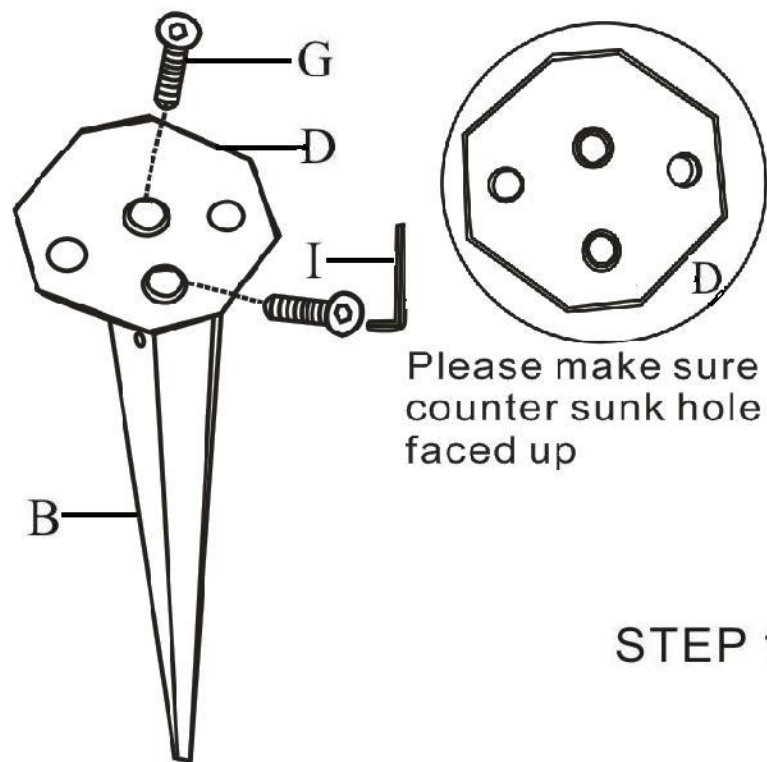
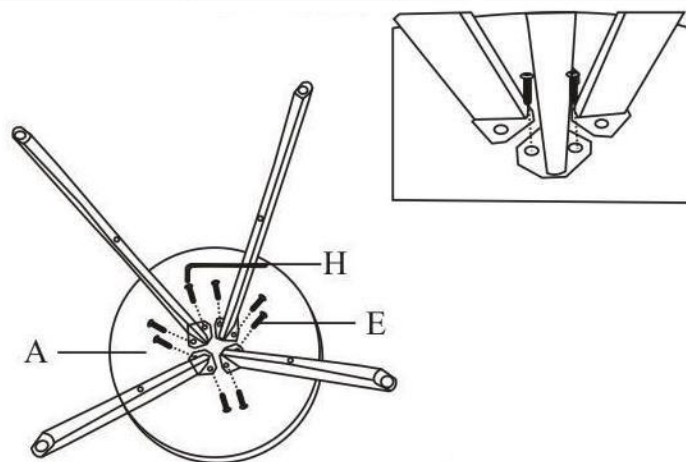


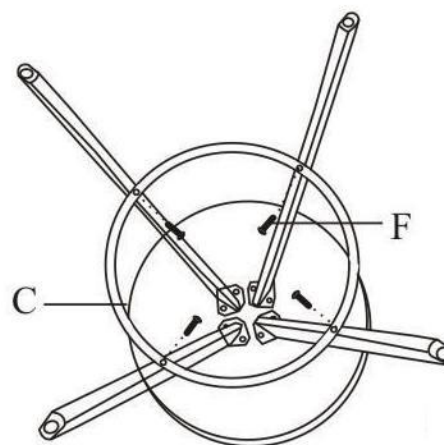
(A) SEAT	(B) LEG (4pcs)	(C) FOOTREST	(D) STEEL PIECE (4pcs)	(E) SCREW M6*14 (8pcs)	(F) SCREW M6*35 (4pcs)	(G) SCREW M6*35 (8pcs)	(H) SPANNER	(I) SPANNER



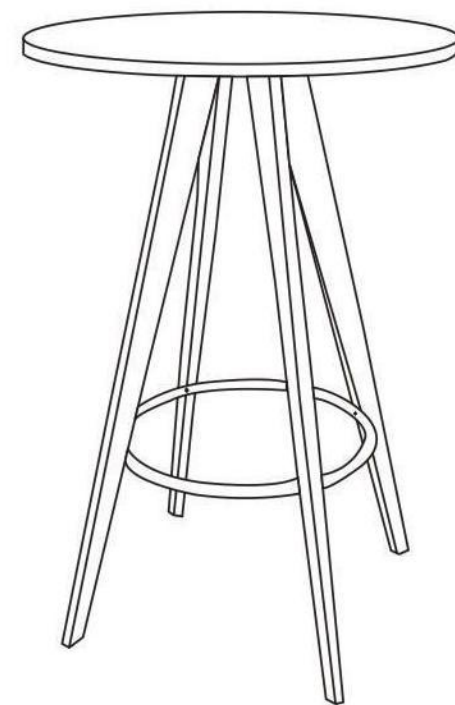
STEP 1



STEP 2



STEP 3



X



✓