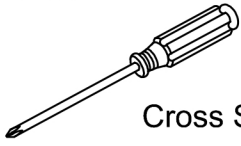
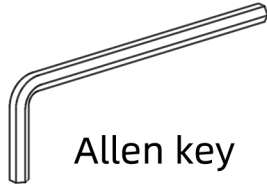


# Installation Manual

## Tools



Cross Screwdriver



Allen key

## During Installation

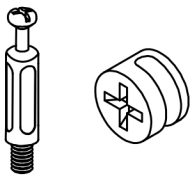
1. Do not discard packing material until assembly is complete, as small parts may loosen inside the carton during shipping. If there is a missing part, please contact our after-sales team
2. Please assemble this item on soft surfaces such as carpets to protect the finish.
3. Pay attention to stability when assembling to avoid falling or scratching.
4. Fully tighten all screws when all parts are in place.

## Cleaning and Maintenance

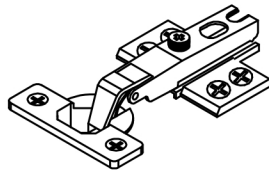
1. To protect the finish, avoid chemicals and household cleaners.
2. Keep away from the heat source to prolong the service life.
3. Wipe up any spilled liquid on top with a damp cloth.

## Components

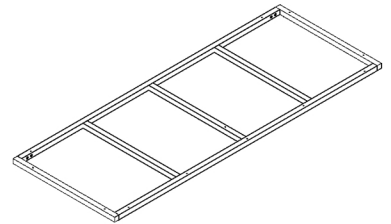
Connector (**Ax30**)



Straight hinge (**Bx8**)



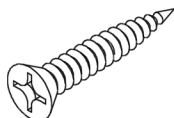
Iron base (**C x1**)



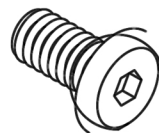
Self tapping screw (**Dx50**)short



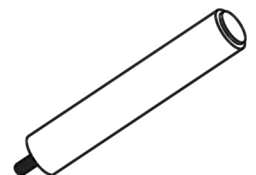
Self tapping screw (**Fx16**)long



Hexagon socket screw (**Gx8**)



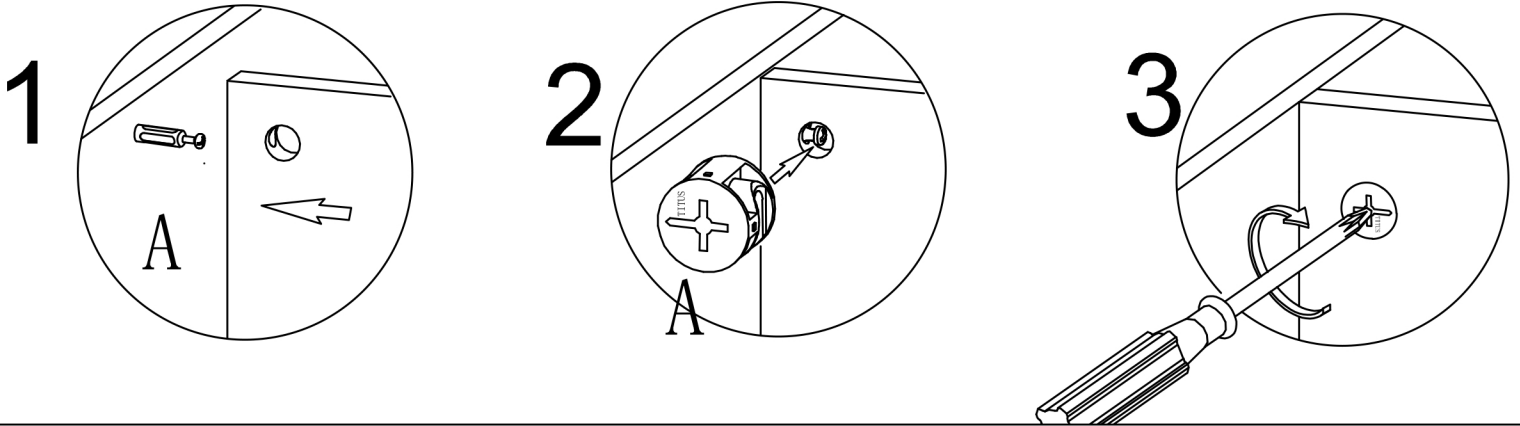
cabinet leg (**Ex8**)



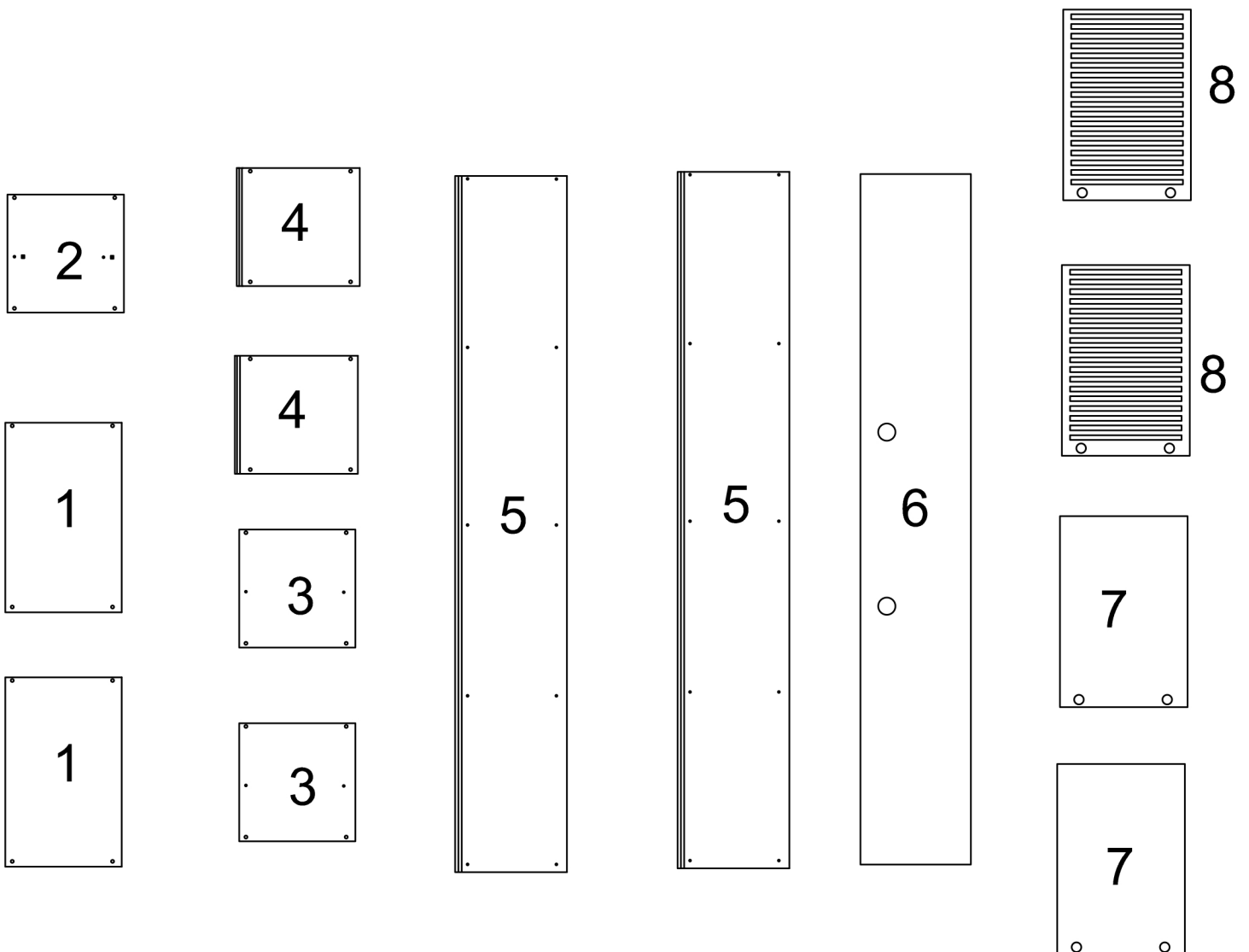
**Note:** Do not fully tighten all bolts until all parts are in place Failure to follow these instructions may cause the bolt to misalign during assembly.

# Installation Manual

## Screw (A) installation demonstration

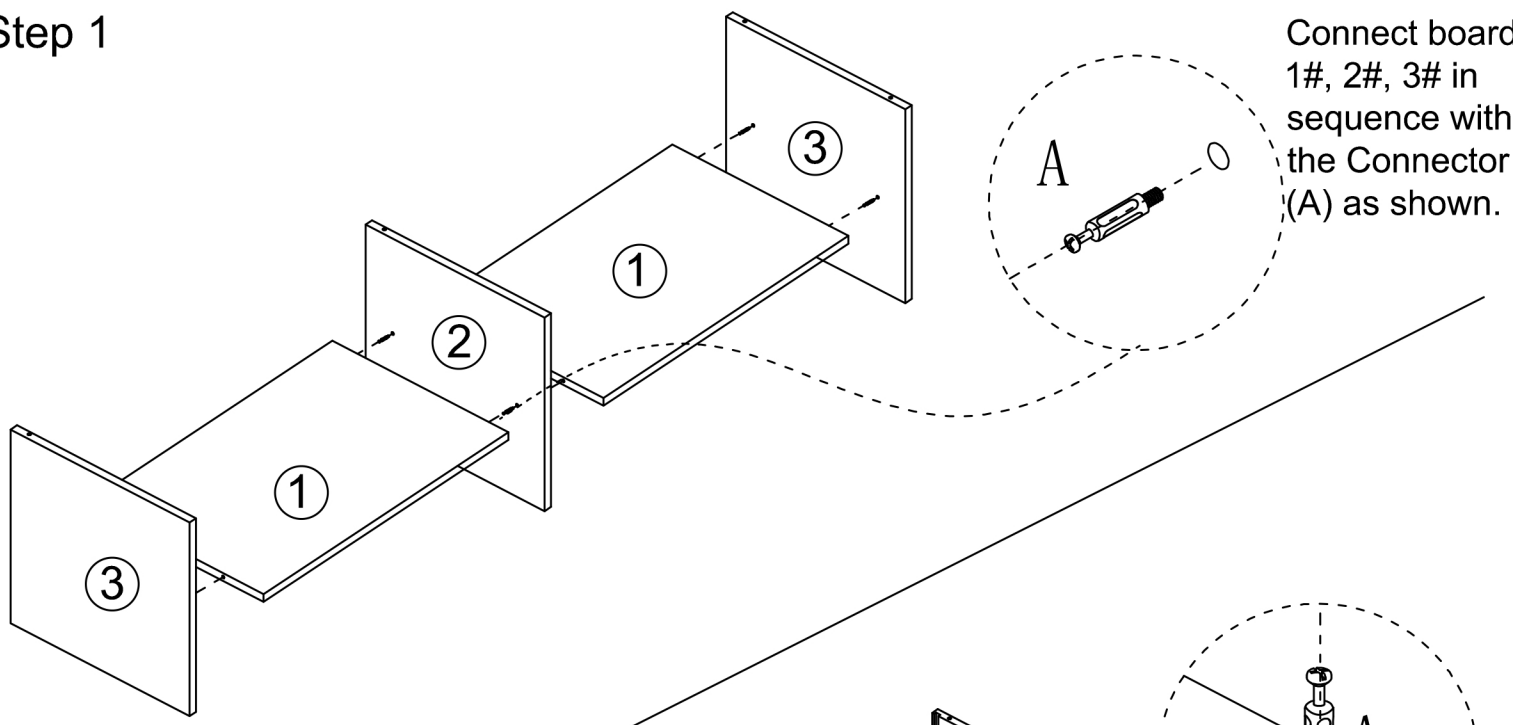


## Board



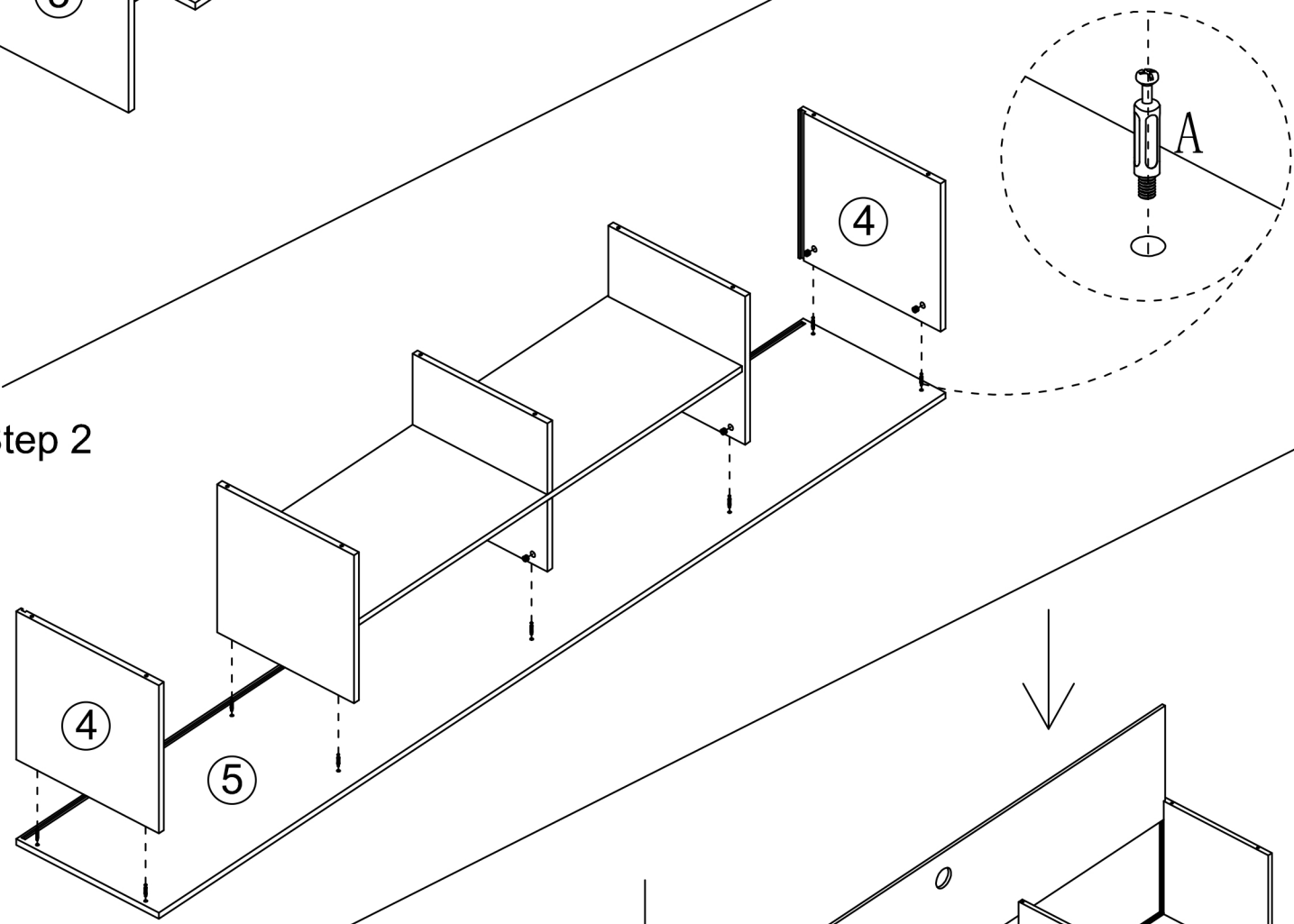
Install according to the part number sequence.

Step 1



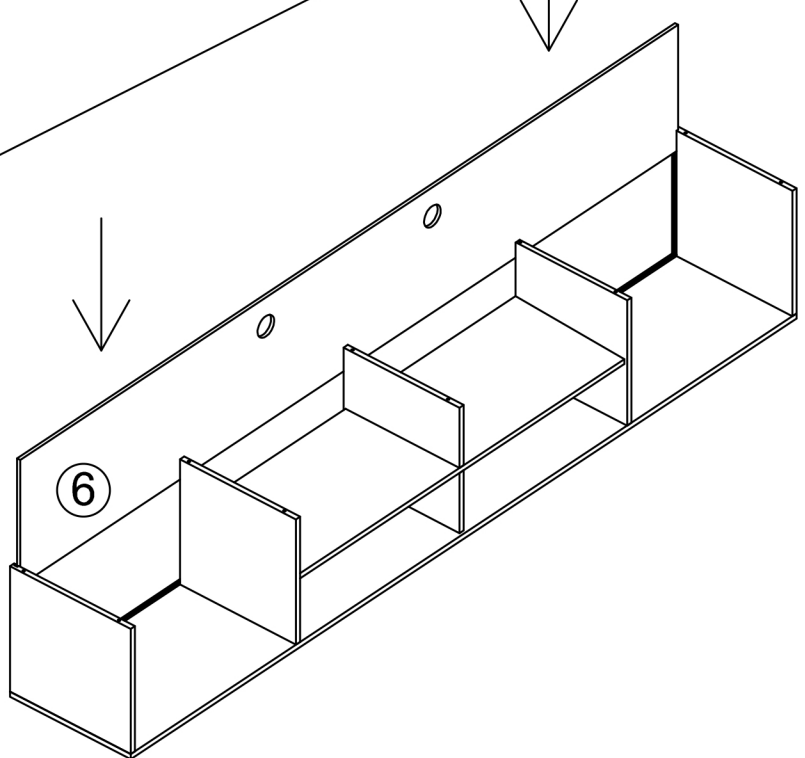
Connect boards 1#, 2#, 3# in sequence with the Connector (A) as shown.

Step 2



Step 3

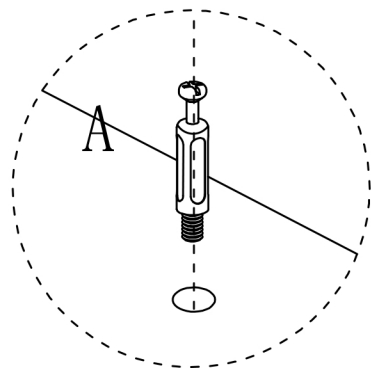
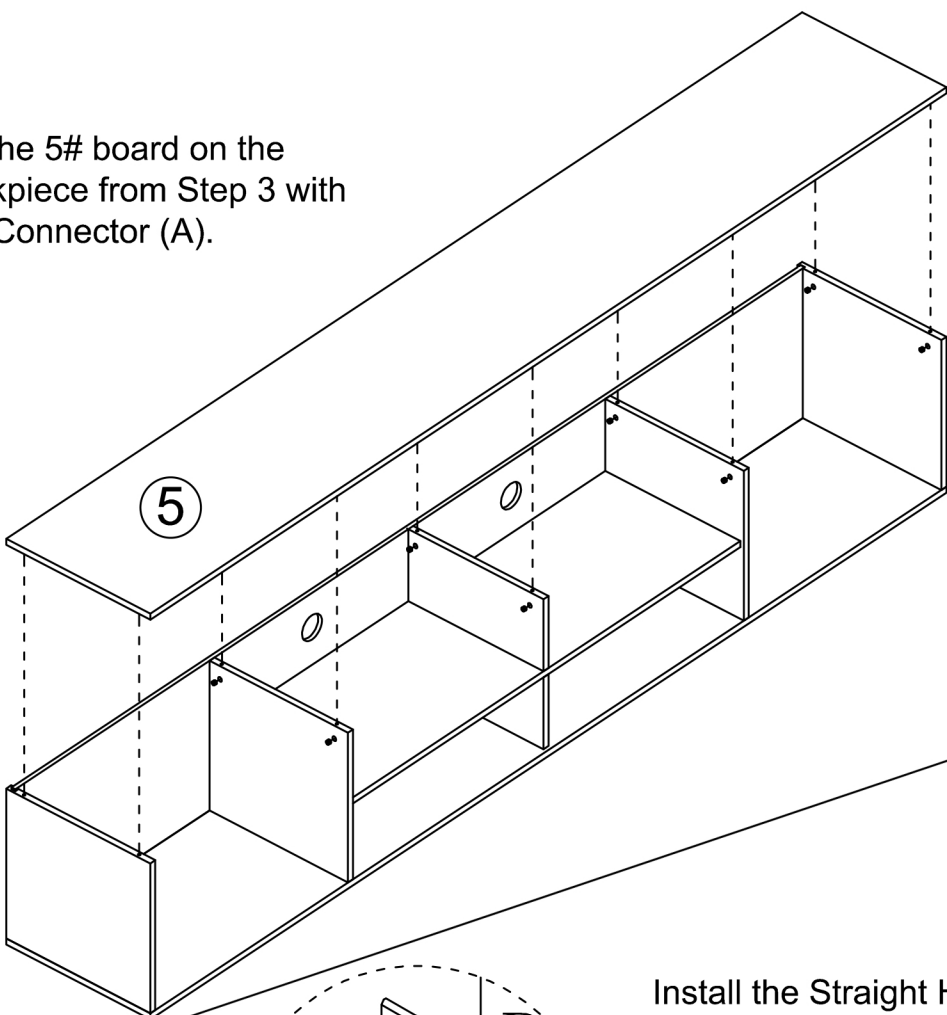
Place the 6# board to fit the gap.



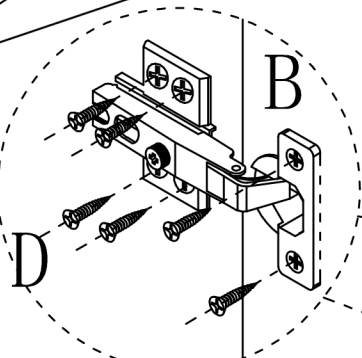
Install according to the part number sequence.

### Step 4

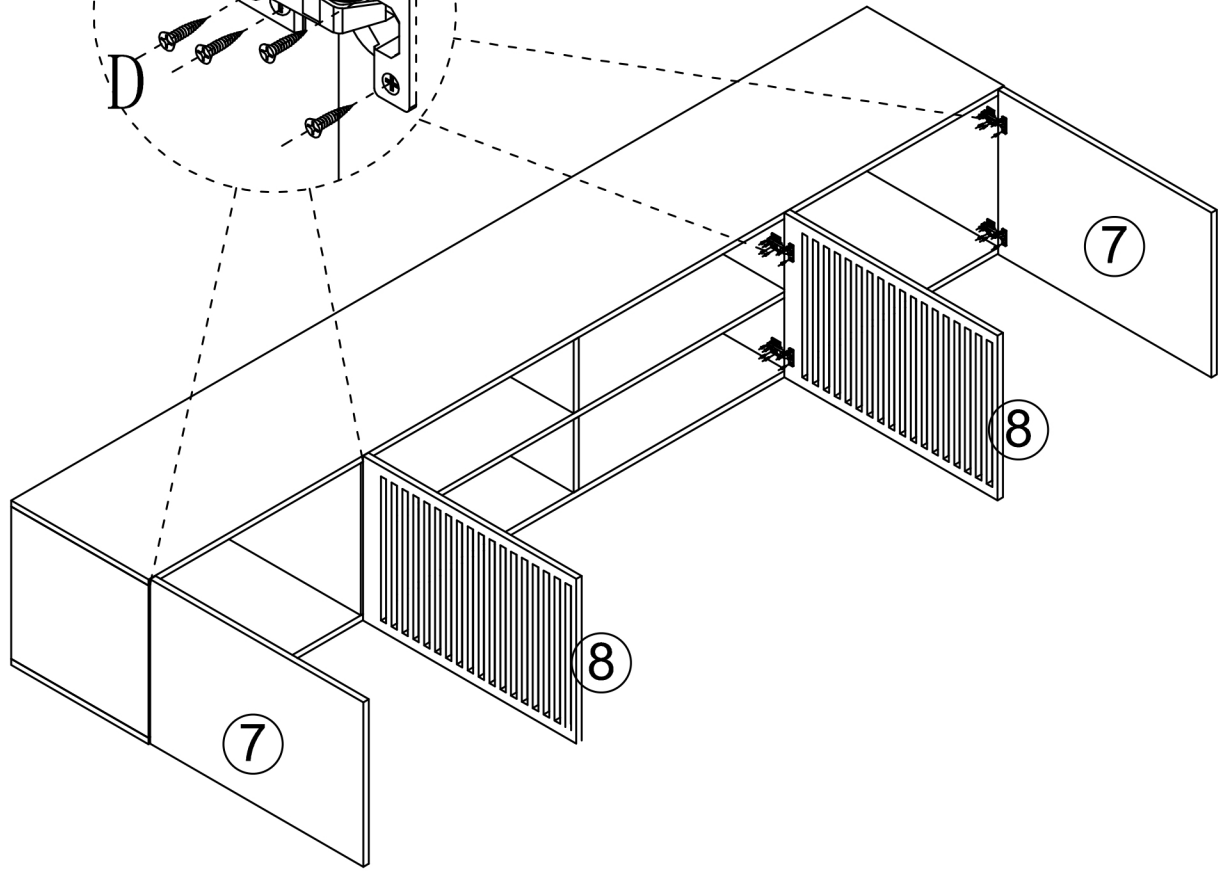
Fix the 5# board on the workpiece from Step 3 with the Connector (A).



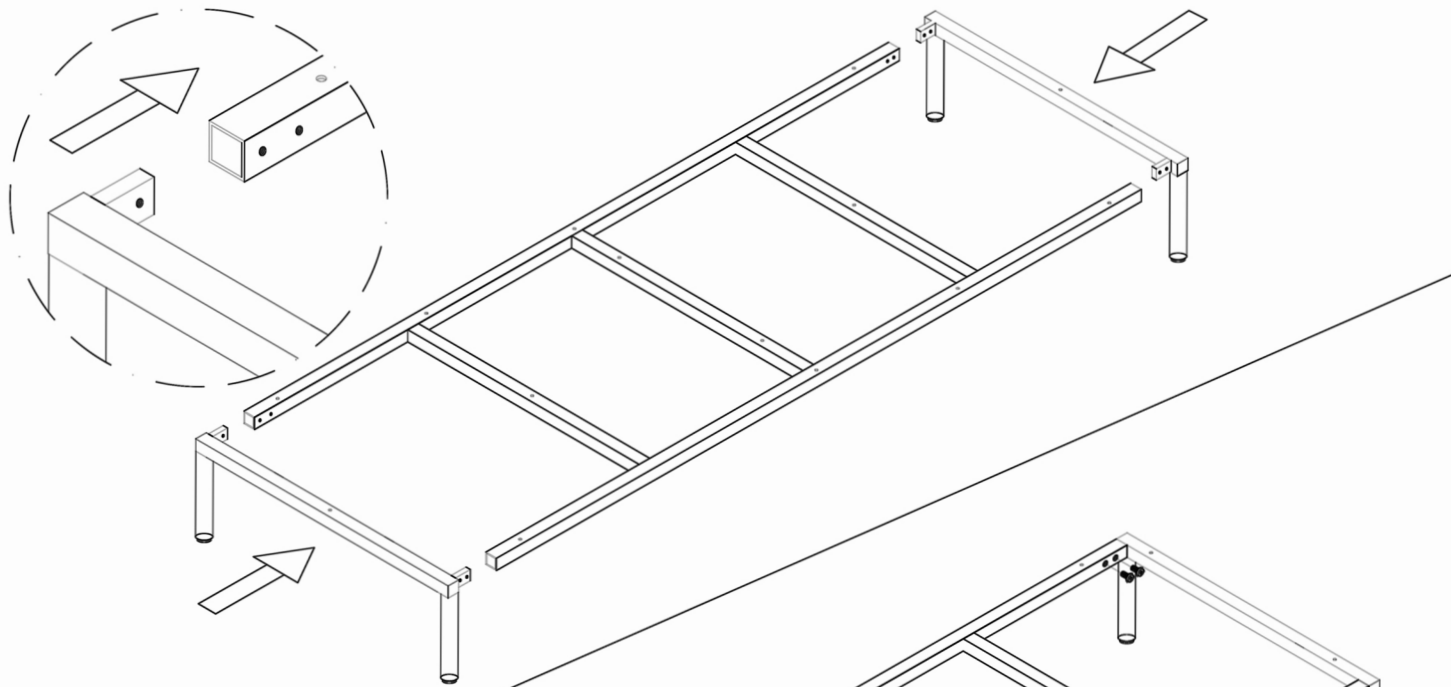
Install the Straight Hinge (B) with Short Self Tapping Screws (D) between 7# and 8# boards and the joints of the layers.



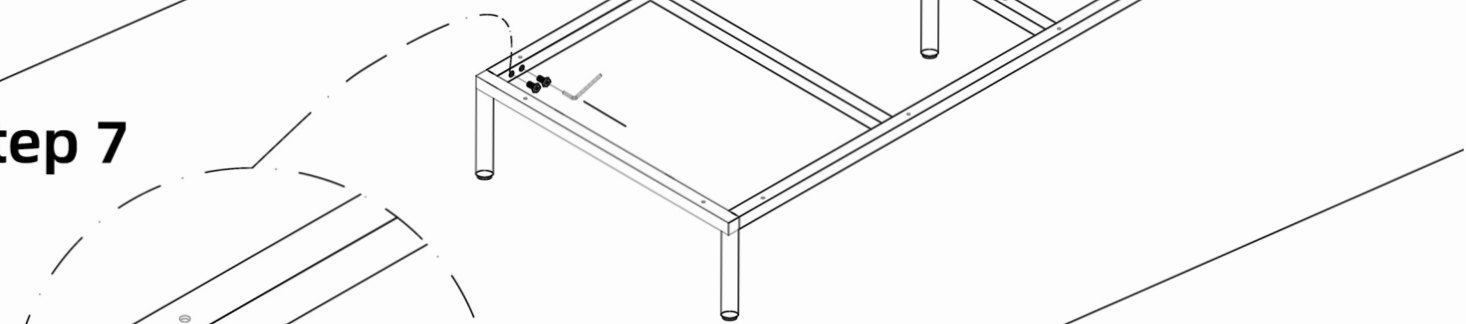
### Step 5



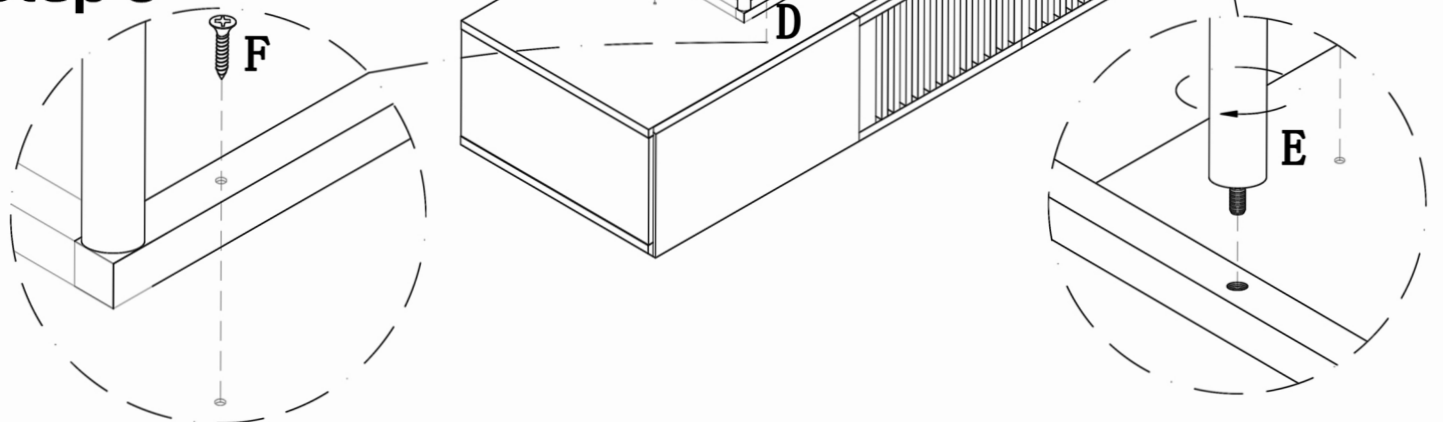
# Step 6



# Step 7



# Step 8



Install according to the part number sequence.

