












Assembly Instructions

Caution: You must read this before you proceed

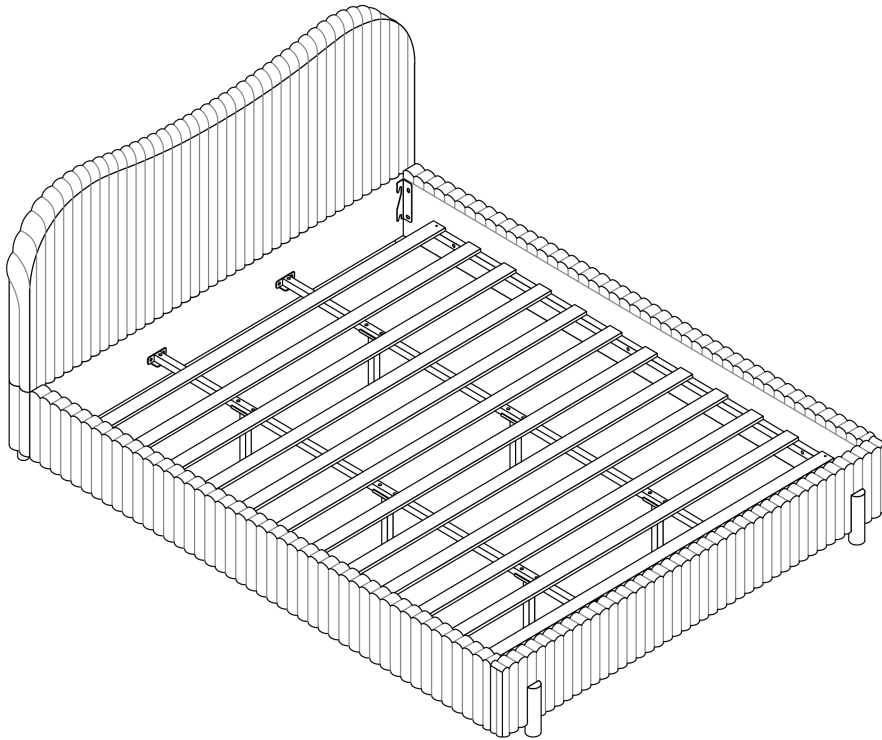
Care & Maintenance

-  ● Not for commercial use. For residential use only.
-  ● Furniture may scratch floors. We recommend using furniture pads to protect your floors.
-  ● Do not put hot items directly on furniture surface.
-  ● Do not clean furniture with harsh cleansers or polish.
-  ● Do not place furniture under direct sunlight.
-  ● Do not place furniture near heating or cooling vents.
-  ● Do not write on furniture without a padded barrier to protect the surface.
-  ● Do not place furniture outside . For indoor use only.
-  ● Stains may be removed with mild soap solution and damp cloth.
-  ● Children should not climb or jump on the furniture.
-  ● Dust and pick-up spills using a clean, non-colored, lint-free cloth.

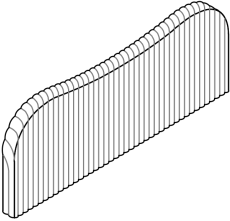
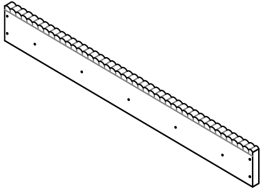
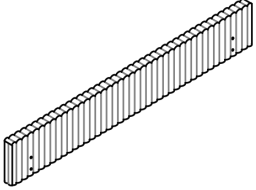
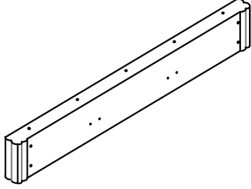
Please look in the box for hardware packs and legs.

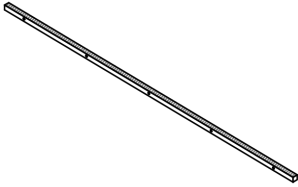
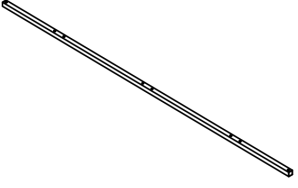
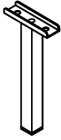
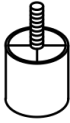

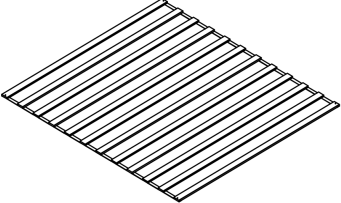
Sets often ship in multiple boxes and may arrive a day or two apart.

Bed







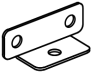

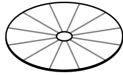


Part List

Label	Picture	Description	QTY
A		Head board	1
B		Side rail	2
C		Foot board	1
D		Base board	1

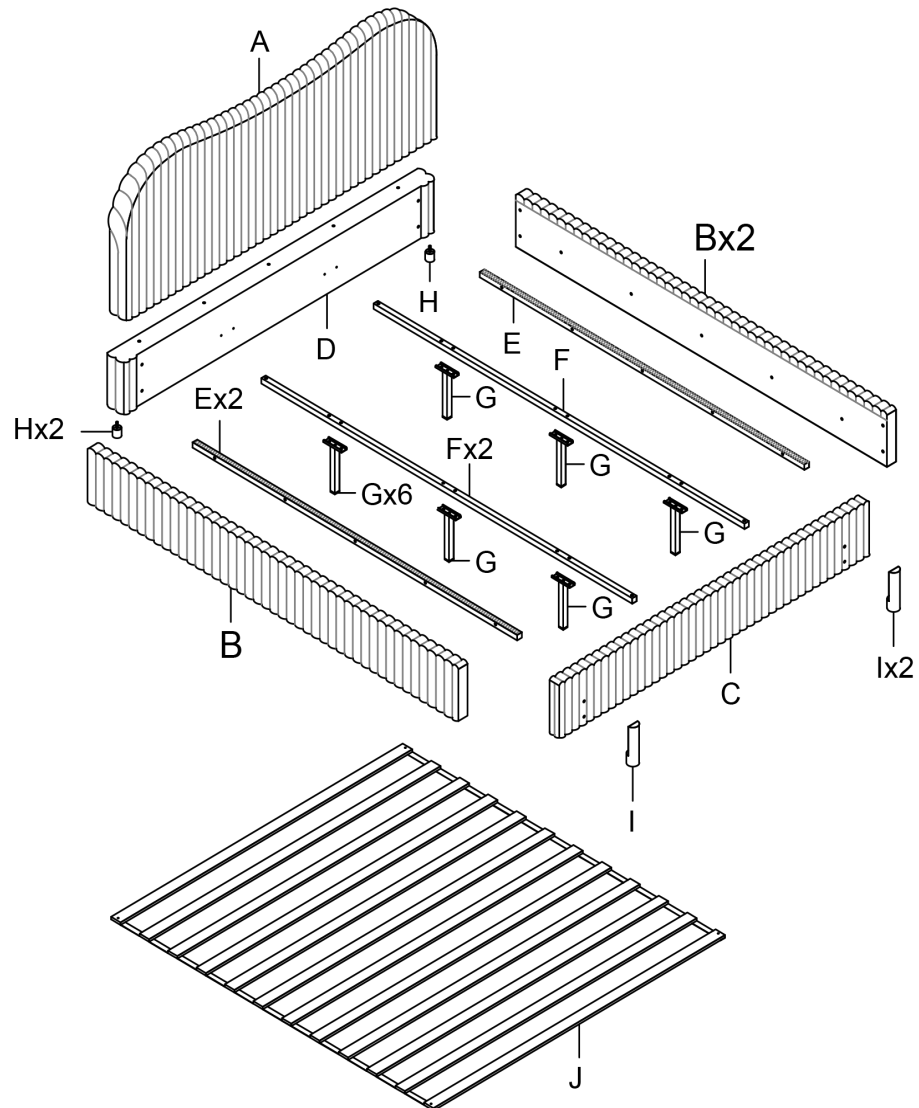
E		Side rails support bar	2
F		Center support bar	2
G		Middle support leg	6
H		Head board leg	2
I		Foot board leg	2
J		Slats	1

Hardware






Label	Picture	Description	QTY
①		Allen Wrench	1
②		Bolts (M8x20mm)	24
③		Bolts (M8x45mm)	31
④		Bolts (M8x65mm)	4
⑤		Nails (M4x30mm)	4
⑥		Washer	9
⑦		Center support bar fittings	4
⑧		Hinge	4
⑨		Twist gasket	2

Assembly Preparation

Before Beginning Assembly:

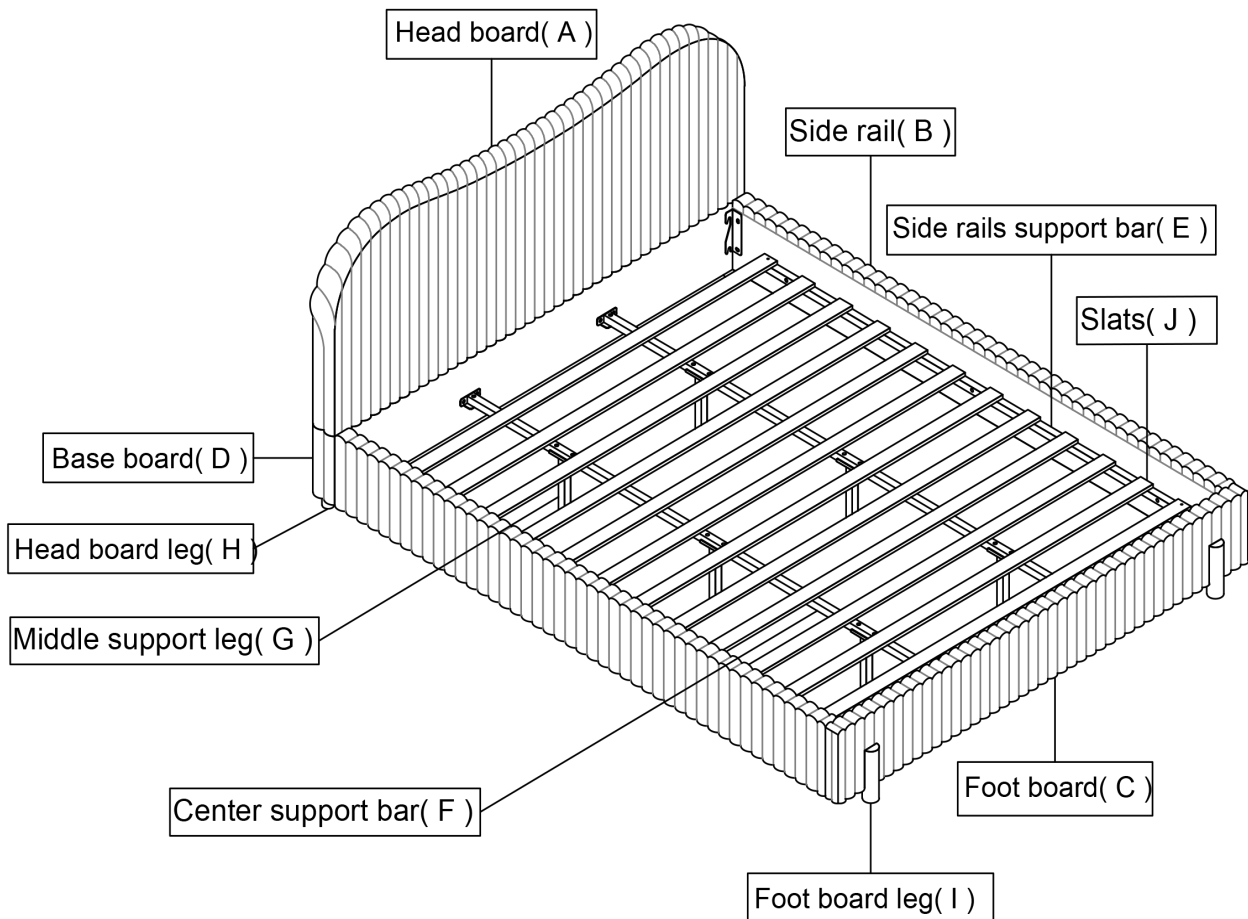


- | | | | |
|---|---|---|--|
| ① |  x1 | ⑥ |  x9 |
| ② |  x24 | ⑦ |  x4 |
| ③ |  x31 | ⑧ |  x4 |
| ④ |  x4 | ⑨ |  x2 |
| ⑤ |  x4 | | |

-  • Read instructions, cover to cover-
-  • Have 2 adults on hand for assembly-
-  • Do not assemble on flooring or carpet-
-  • Assemble on a clean non-marring surface (packing foam)-
-  • Save all packaging until finished-

Assembly Steps

OVERVIEW

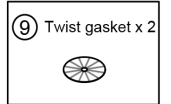
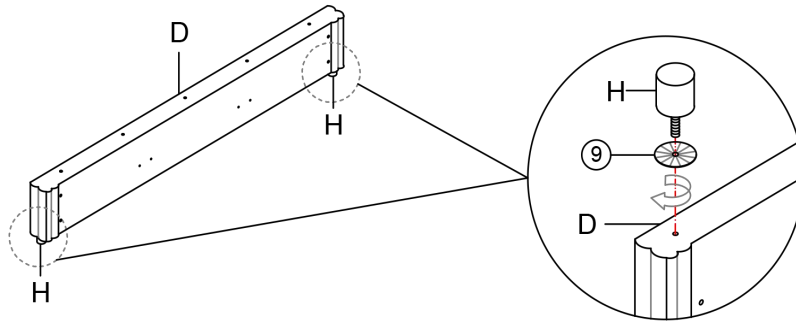


FRONT FACING

This Bed have multiple parts and may require up to 45 minutes to assemble. To give you an overview of the Bed parts, the above picture is to help you put the various parts into perspective. Please read through the instructions below to familiarise yourself with the parts and steps before assembly.

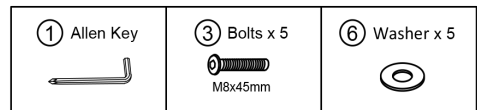
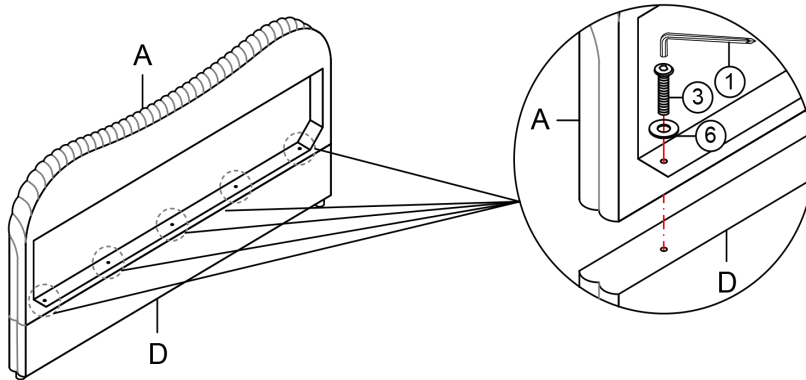
Note: It is recommended that you have an adult partner to assist during the entire assembly process.

Step 1



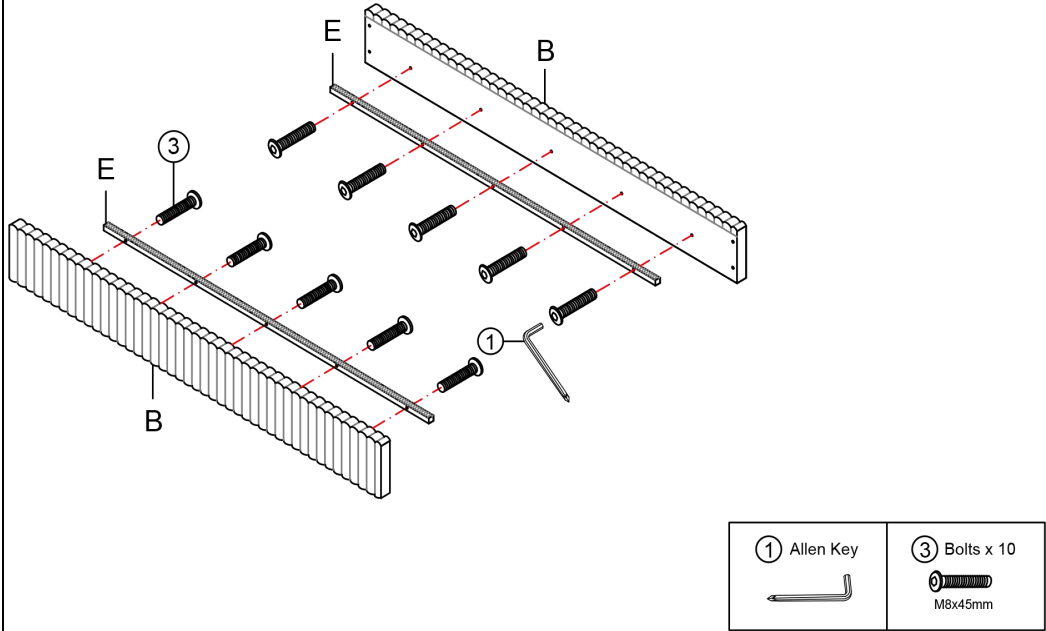
Fix the Head board leg H to the Base board D with Twist gasket ⑨.

Step 2



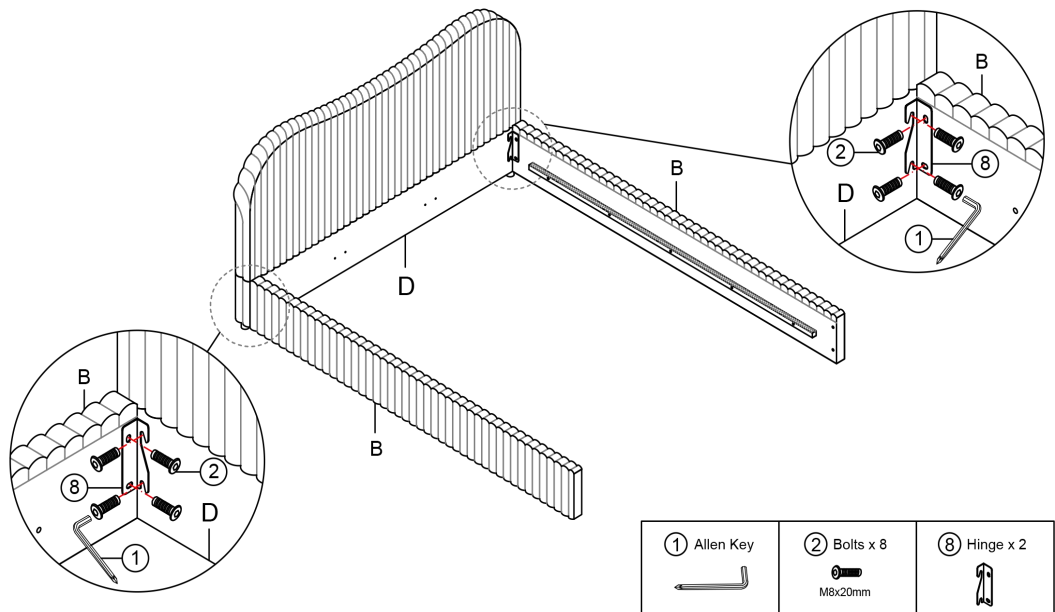
Fix the Base board D to the Head board A with Bolts ③ and Washer ⑥ by using Allen Wrench ①.

Step 3



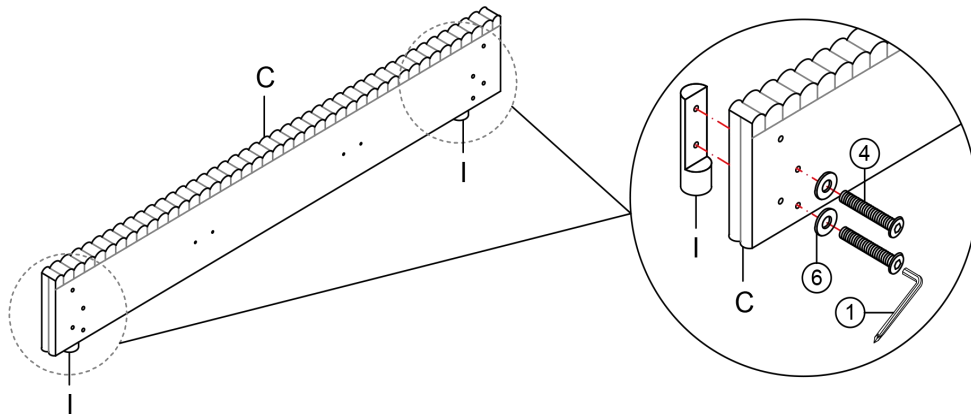
Fix the Side rails support bar E to the Side rail B with Bolts ③ by using Allen Wrench ①.


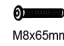

Step 4



Fix the Side rail B to the Base board D with Bolts ② and Hinge ⑧ by using Allen Wrench ①.

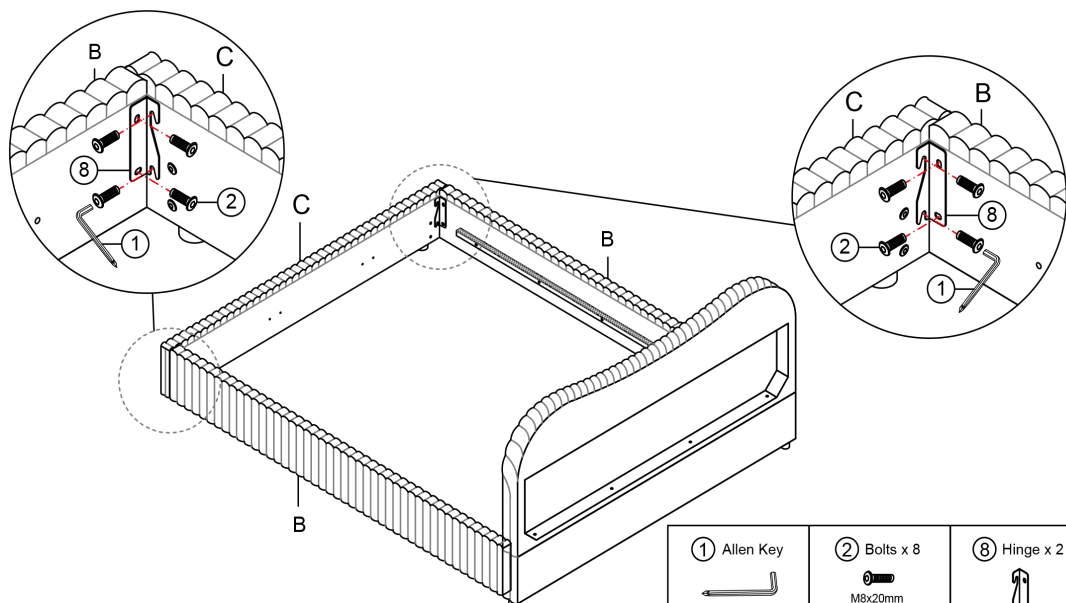
Step 5


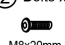



① Allen Key 	④ Bolts x 4 M8x65mm 	⑥ Washer x 4 
--	---	---

Fix the Foot board leg I to the Foot board C with Bolts ④ and Washer ⑥ by using Allen Wrench ①.

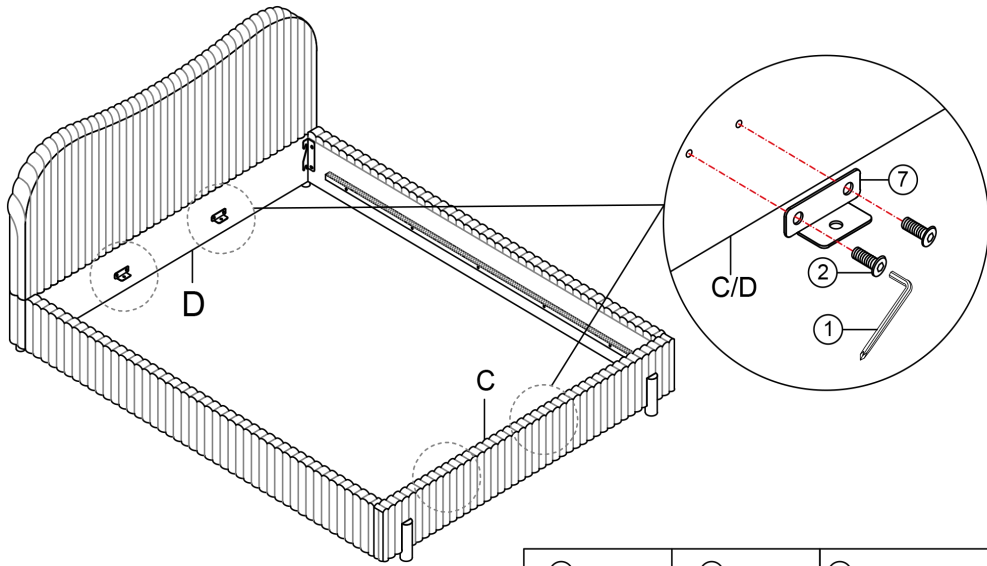
Step 6






① Allen Key 	② Bolts x 8 M8x20mm 	⑧ Hinge x 2 
--	---	--

Fix the Foot board C to the Side rail B with Bolts ② and Hinge ⑧ by using Allen Wrench ①.

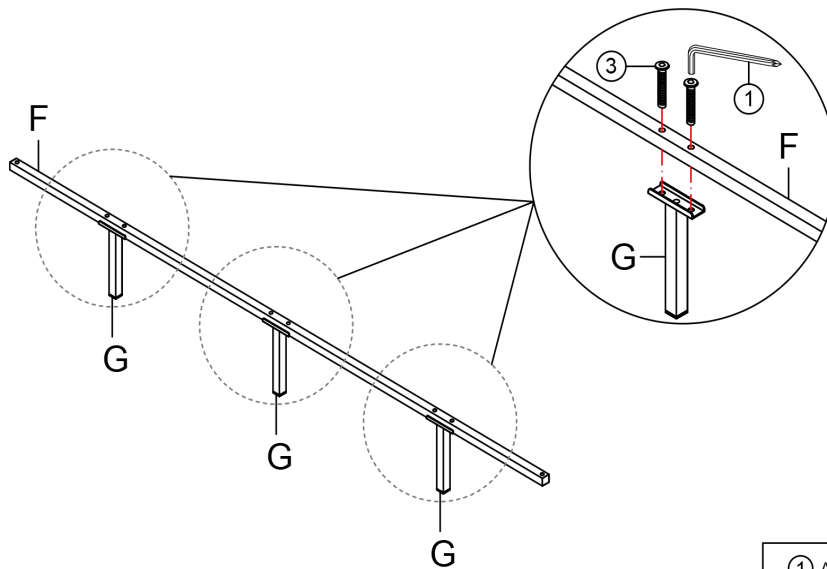
Step 7





① Allen Key 	② Bolts x 8 M8x20mm 	⑦ Center support bar fittings x 4 
--	---	--

Fix the Center support bar fittings ⑦ to the Foot board C and Base board D with Bolts ② by using Allen Wrench ①.

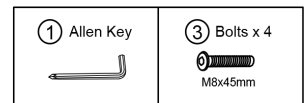
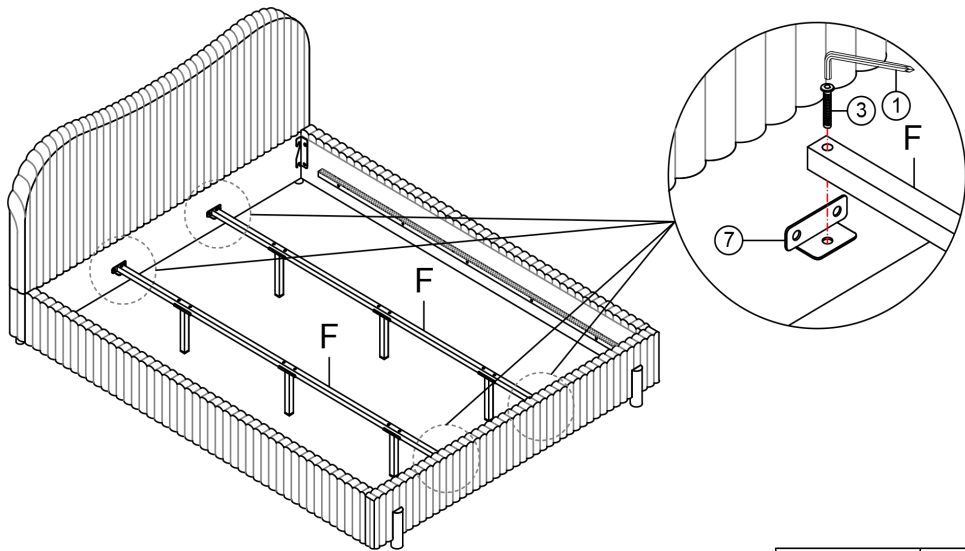
Step 8x2



① Allen Key 	③ Bolts x 12 M8x45mm 
--	--

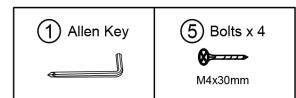
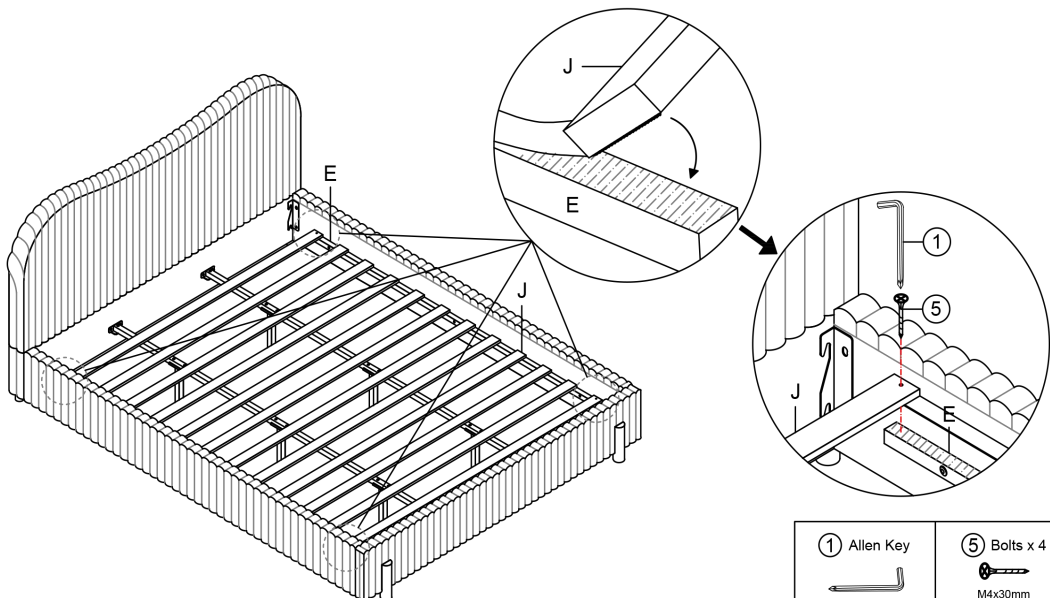
Fix the Middle support leg G to the Center support bar F with Bolts ③ by using Allen Wrench ①.

Step 9



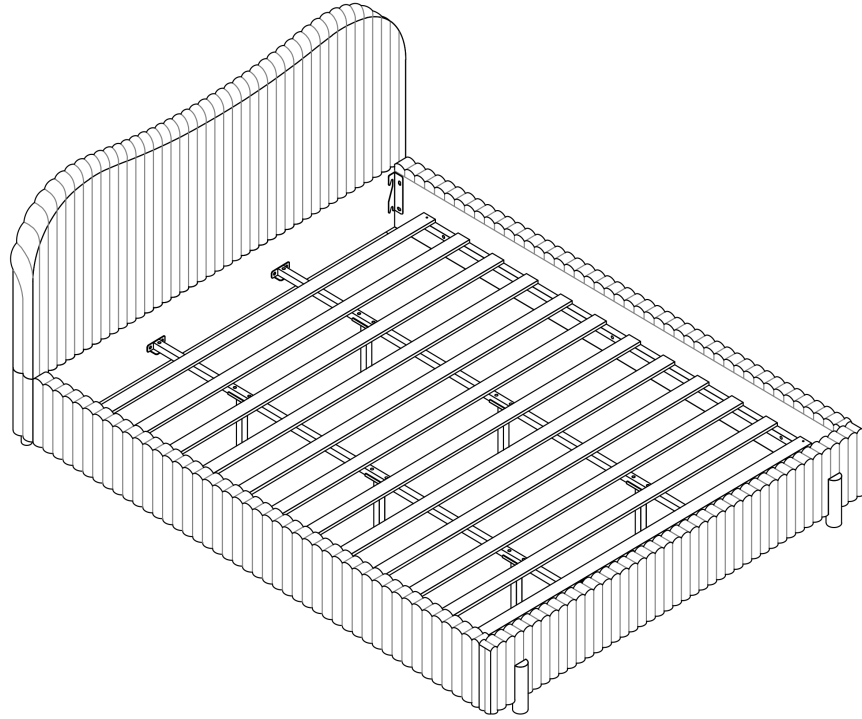
Fix the Center support bar F to the Center support bar fittings ⑦ with Bolts ③ by using Allen Wrench ①.

Step 10



Fix the Slats J to the Side rails support bar E with Nails ⑤ by using Allen Wrench ①.

Step 11



Your Bed is ready for use.
This Bed can only be used on a flat, level surface.