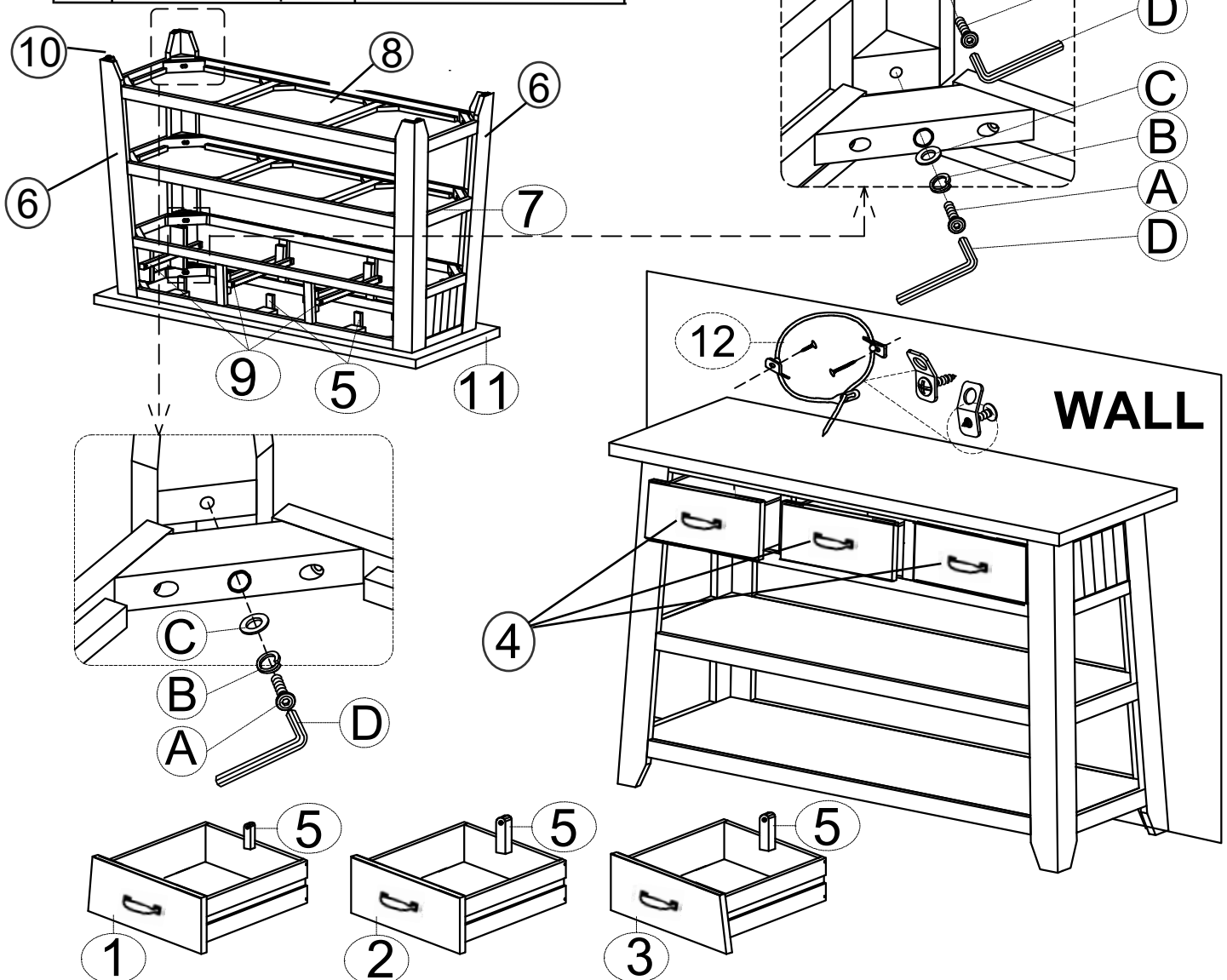


# ASSEMBLY INSTRUCTIONS & PARTS IDENTIFICATION

## SOFA TABLE

Thank you for purchasing this quality product. Be sure to check all packing material carefully for small parts that may have come loose inside the carton during shipment

Parts key				Hardware Pack		
No	Qty	Description	No	Description	Qty	
1	1 pc	Left drawer complete	A	Bolt	M6 x 60	16 pcs
2	1 pc	Center drawer complete	B	Lock washer	M8	16 pcs
3	1 pc	Right drawer complete	C	Flat washer	M8 x 18	16 pcs
4	3 sets	Drawer pull w/Screws	D	Allen Key	K4	1 pc
5	3 pcs	Drawer stop				
6	4 pc	Leg				
7	1 pc	Shelf upper				
8	1 pc	Shelf lower				
9	6 pcs	Drawer glide				
10	4 pcs	Floor glide				
11	1 pc	Storage box				
	1 set	Anti - tip kit				



**PLEASE NOTE :**

To avoid the possibility of the furniture tipping and injury, the anti-tip hardware must be installed.