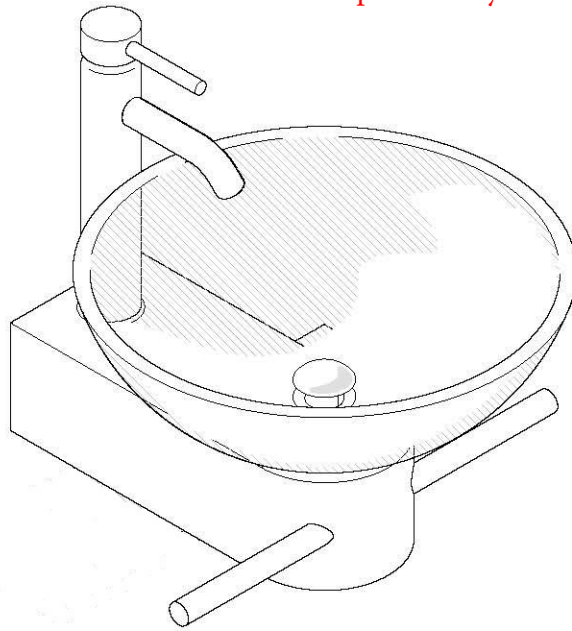
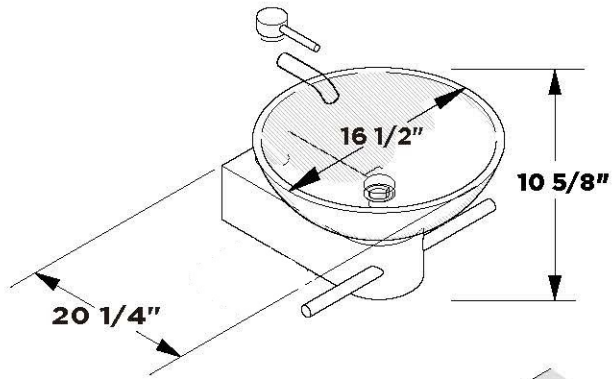




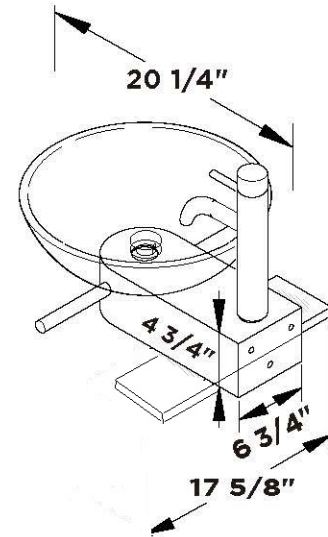
<https://www.youtube.com/watch?v=humfxkI5790>



Vanity Front

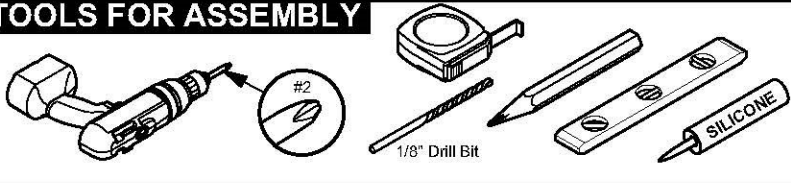


Vanity Back

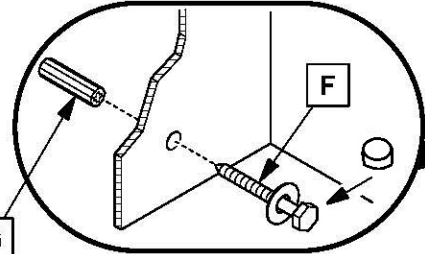
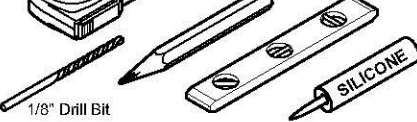


Note: All dimensions and specifications are approximate and subject to change without notice.

**TOOLS FOR ASSEMBLY**



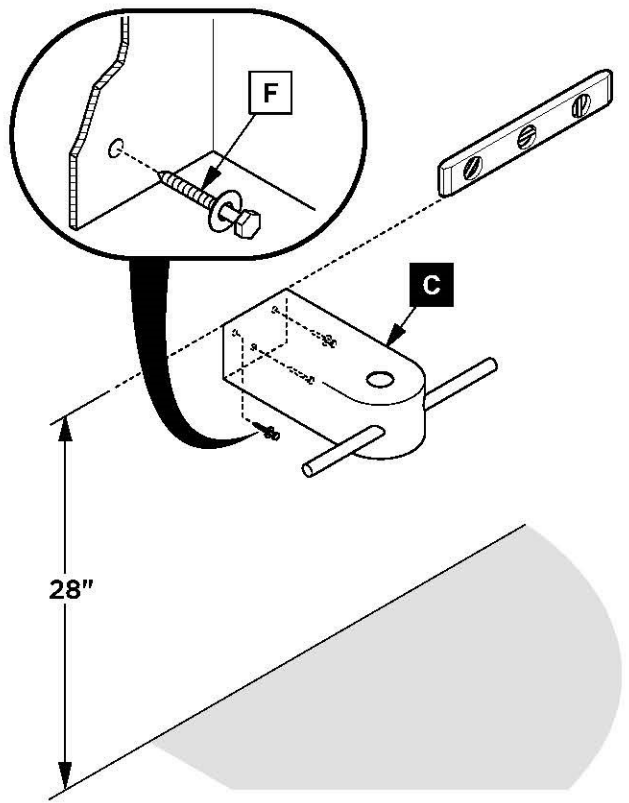
**PARTS**



Anchor **G**  
**NOTE:** Only use anchors (**G**) if stud (2"x4" frame) is not available.

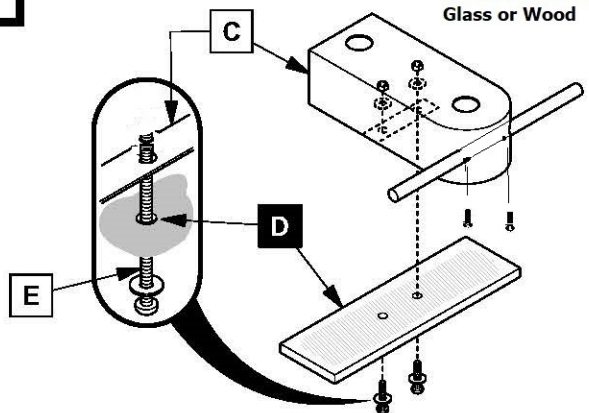
**1** Install vanity (C)

**IMPORTANT:** Consult an expert for the proper screws/bolts to use when attaching to various wall constructions. Screws provided do not attach to all wall construction types.



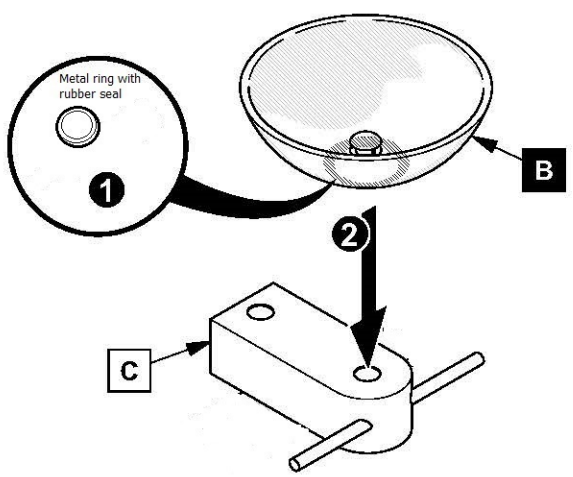
**3** Install shelf (D)

**NOTE:** If shelves is available Glass or Wood



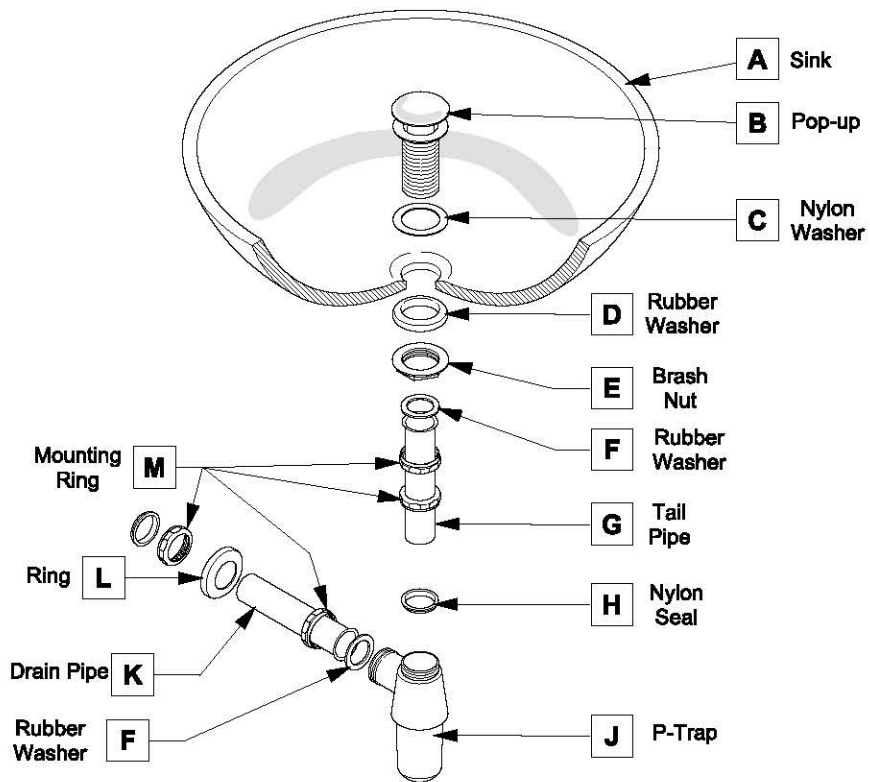
**3** Install sink (B)

**4** Install mirror (A)



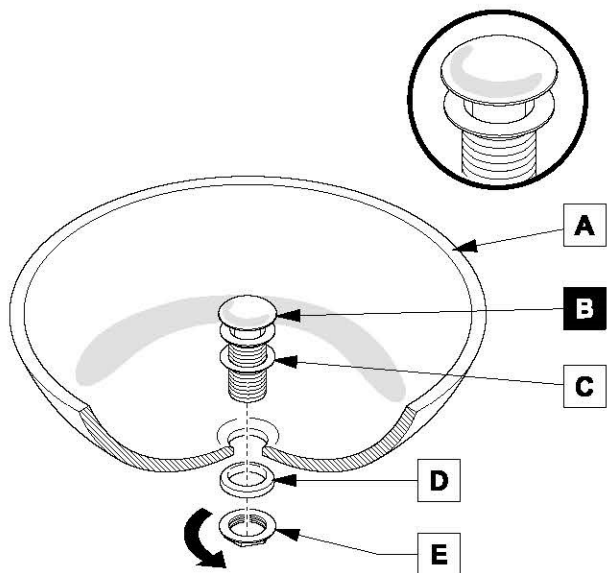
# P-TRAP AND POP-UP INSTALLATION INSTRUCTIONS

Your item may appear slightly different from the illustration



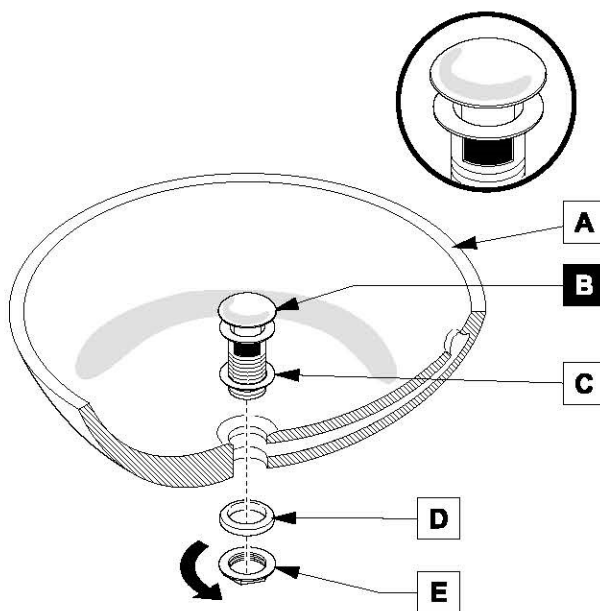
## POP-UP INSTALLATION

### FOR SINKS WITHOUT OVERFLOW



**OR**

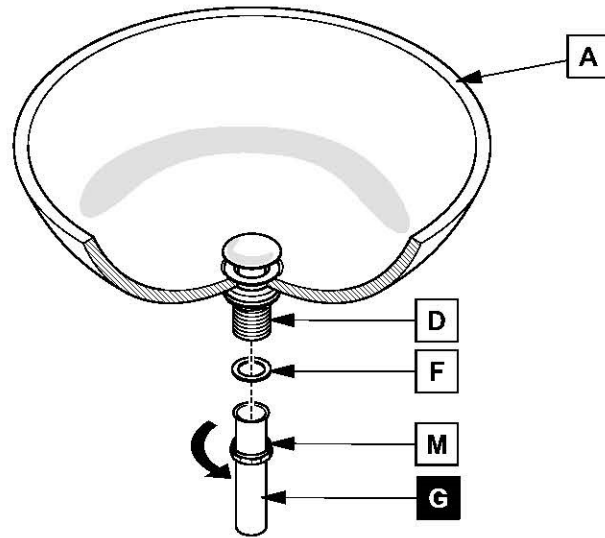
### FOR SINKS WITH OVERFLOW



# P-TRAP INSTALLATION

1

Install tail pipe (G)



2

Install p-trap (J)

