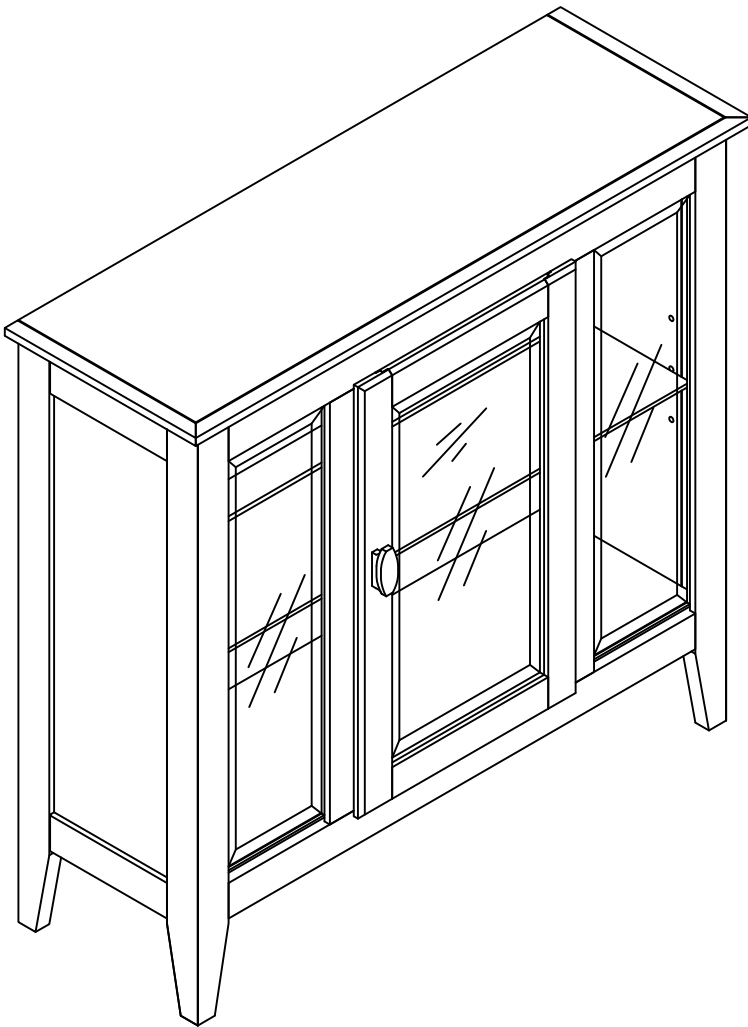


Thank you for purchasing our products.
Contact customer service for comments or concerns.

Assembly Instructions

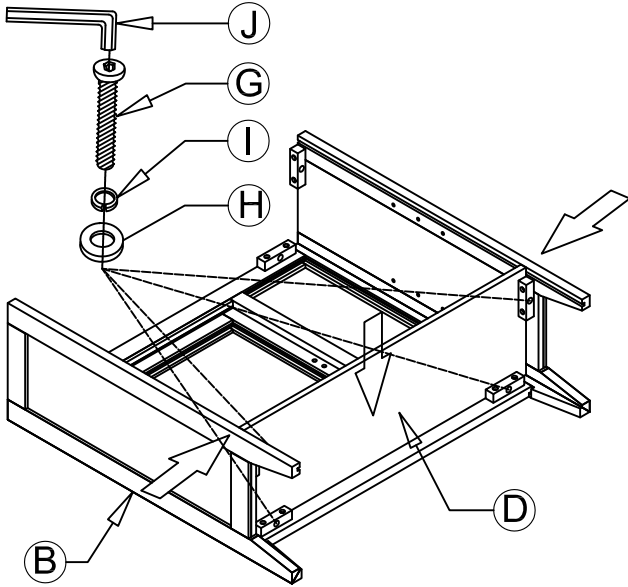
OAK Entryway Curio Cabinet With Interior Light



A: Top Assembly	
B: Cabinet	
C: Back Panel	
D: Bottom Panel	
E: Shelf Glass	
F: (4) Shelf Clips	
G: (8) Bolts	
H: (8) Flat Washers	
I : (8) Lock Washers	
J: Allen Wrench	
K: Bulb	
L: Door Pull	
M: (2) Machine Screws	

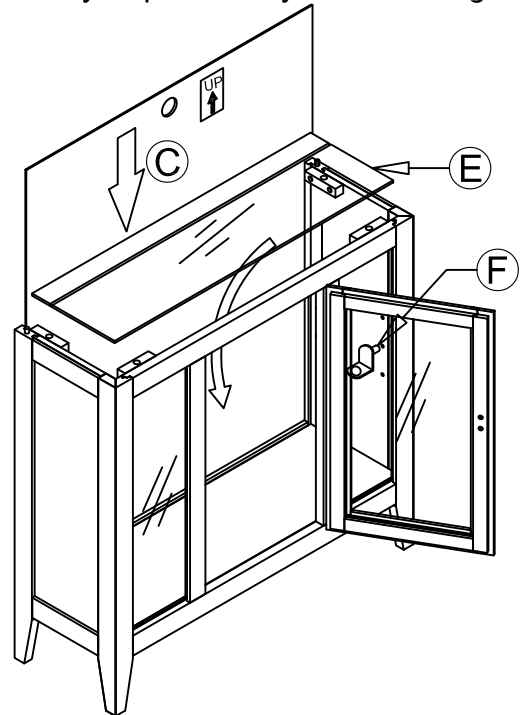
Step 1

Unfold two sides and insert the bottom panel, fasten the bottom panel with parts (G, I and H).



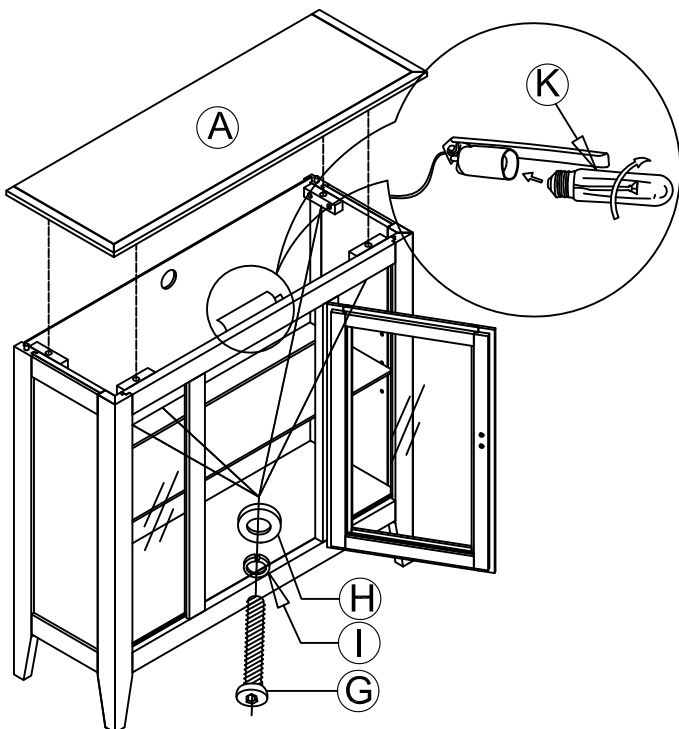
Step 2

Put the foyer cabinet right side up. Slide the back panel into the cabinet, make sure the wire hole is on the top. Insert the shelf supports and place the glass shelf on from top of the cabinet assembly. Warm tips: Hold the center door and front frame together when you put the foyer cabinet right side up.



Step 3

Screw the bulb on the light fixture. Fasten the top with parts (G, I and H).



Step 4

Put the cord through hole in the back, press down the button heavily to fix the wire underneath of the top, then install door pull.

