
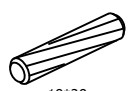
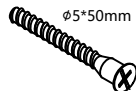
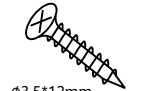

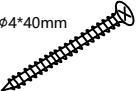


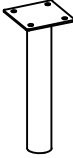
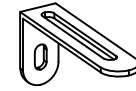
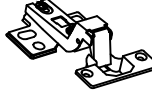




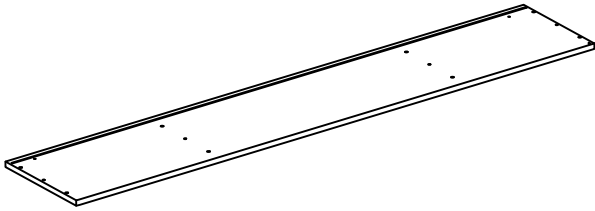
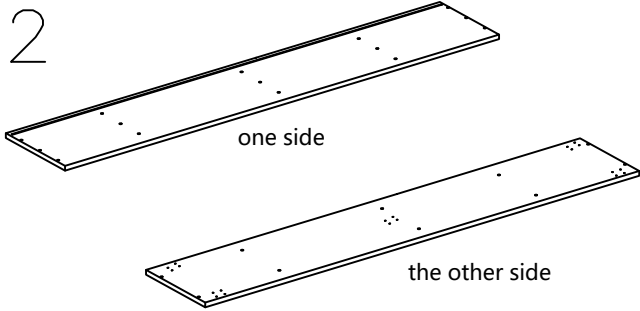
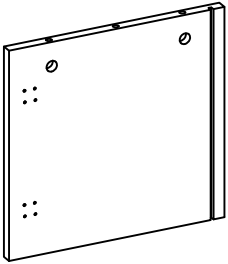
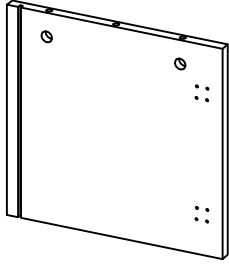
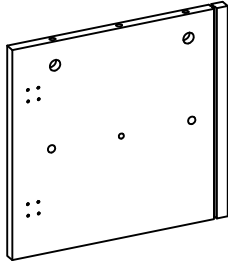
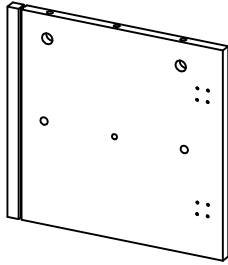
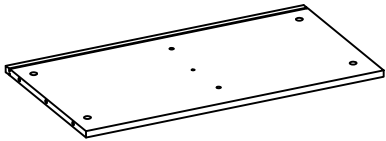
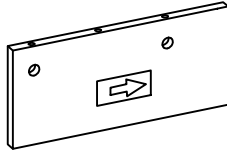
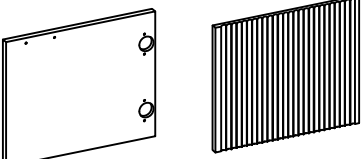
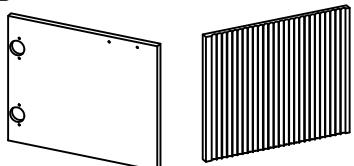
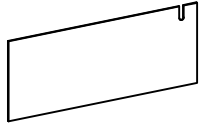
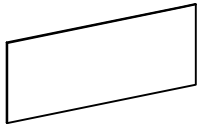
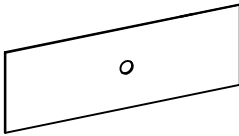
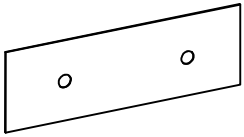
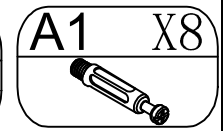
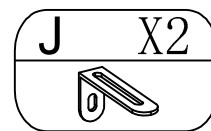
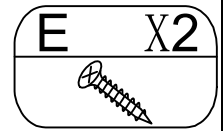
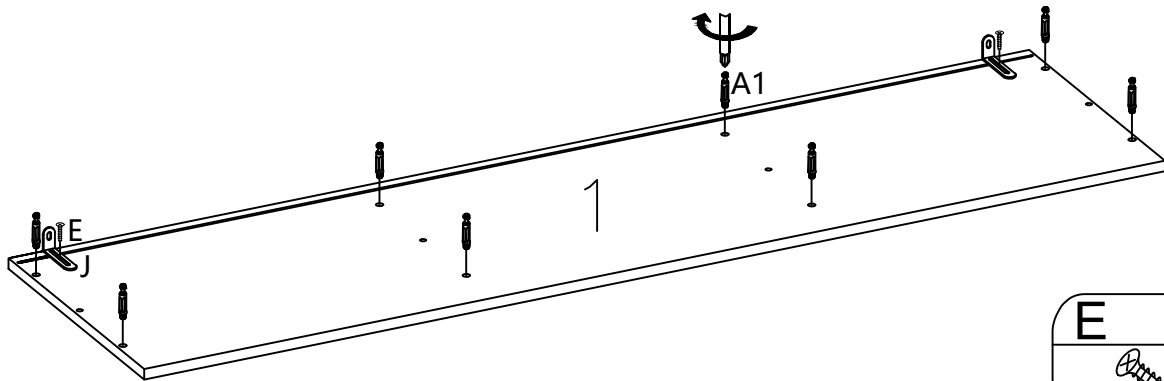
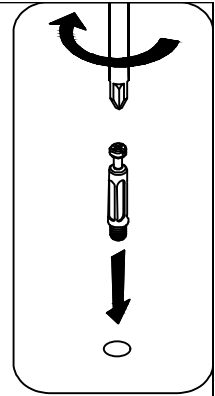
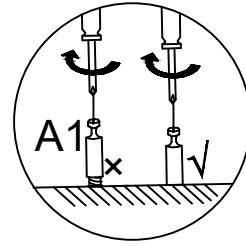


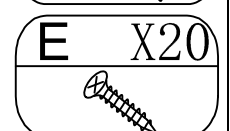
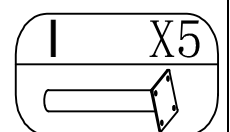
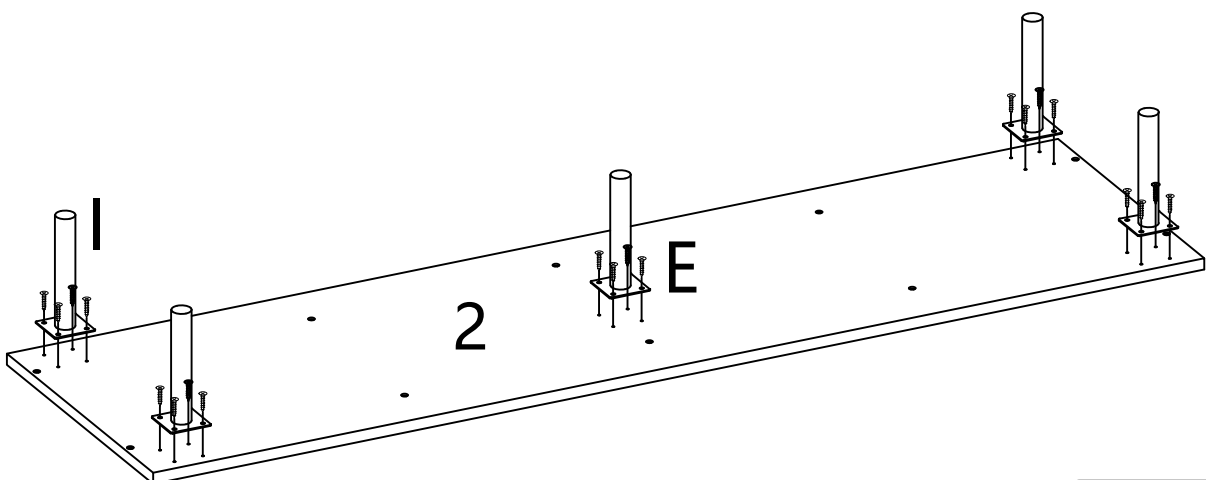
<p>A</p> <p>φ15*9.5mm</p>  <p>A2 φ7*40mm A1</p> <p>14PCS</p>	<p>B</p>  <p>φ8*30mm</p> <p>12PCS</p>	<p>C</p>  <p>φ5*50mm</p> <p>10PCS</p>	<p>D</p>  <p>φ3.5*12mm</p> <p>24PCS</p>	<p>E</p>  <p>φ3.5*14mm</p> <p>74PCS</p>	<p>F</p>  <p>φ4*40mm</p> <p>2PCS</p>	<p>G</p>  <p>2PCS</p>	<p>H</p>  <p>4PCS</p>
<p>I</p>  <p>5PCS</p>	<p>J</p>  <p>2PCS</p>	<p>K</p>  <p>4PCS</p>	<p>L</p>  <p>4PCS</p>	<p>M</p>  <p>20PCS</p>	<p>N</p>  <p>24PCS</p>	<p>15 X2</p>  <p>L=420.5mm</p>	

<p>1</p>  <p>1750*380*15mm 1pc</p>	<p>2</p>  <p>1750*380*15mm 1pc</p>	
<p>3</p>  <p>380*379*15mm 1pc</p>	<p>4</p>  <p>380*379*15mm 1pc</p>	<p>5</p>  <p>380*363*15mm 1pc</p>
<p>6</p>  <p>380*363*15mm 1pc</p>	<p>7</p>  <p>843*363*15mm 1pc</p>	<p>8</p>  <p>175*342*15mm 1pc</p>
<p>9</p>  <p>375*426.5*15mm 2pcs</p>	<p>10</p>  <p>375*426.5*15mm 2pcs</p>	<p>11</p>  <p>194*431.5*3mm 2pcs</p>
<p>12</p>  <p>194*431.5*3mm 2pcs</p>	<p>13</p>  <p>199*851*3mm 1pc</p>	<p>14</p>  <p>184*851*3mm 1pc</p>

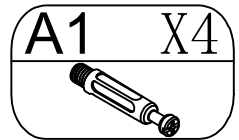
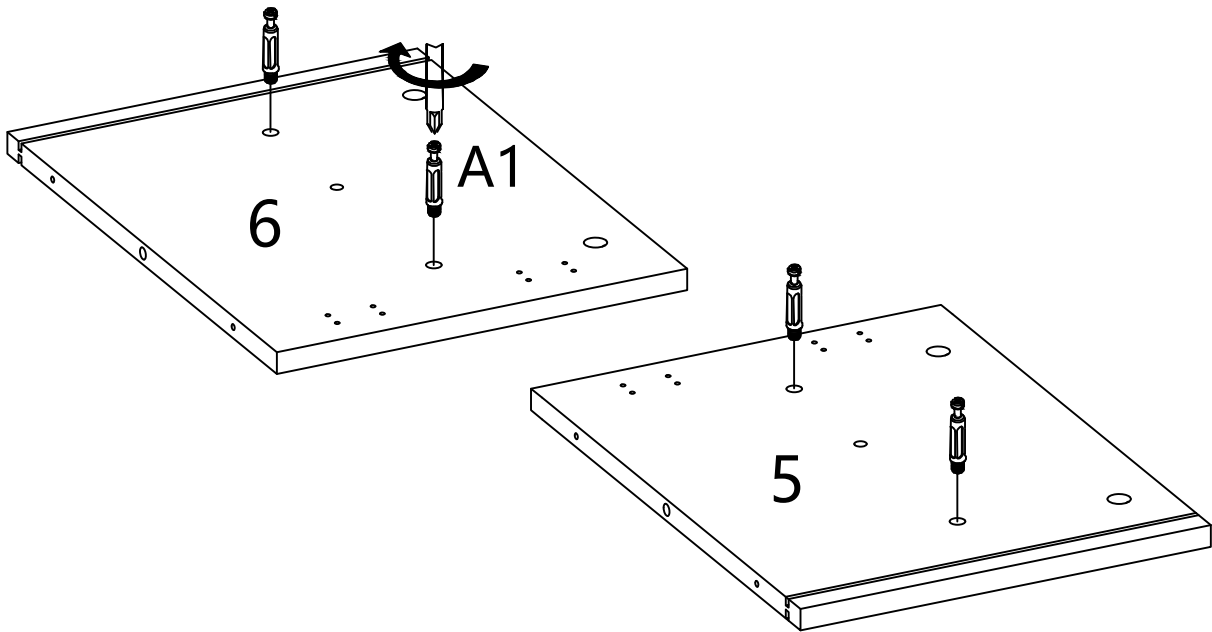
STEP 1



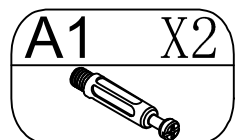
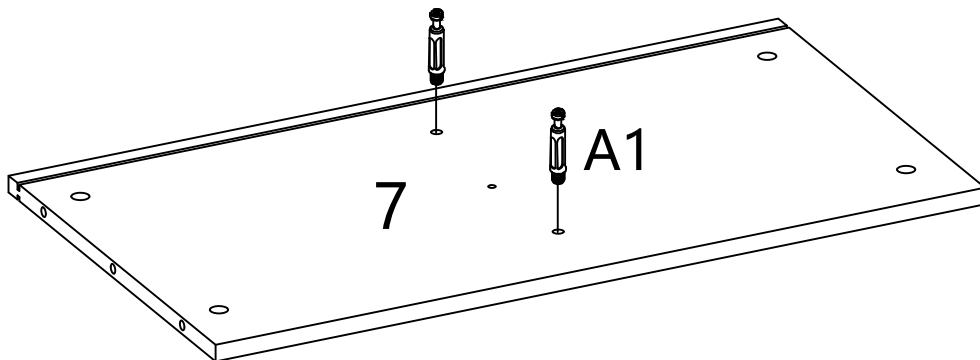
STEP 2



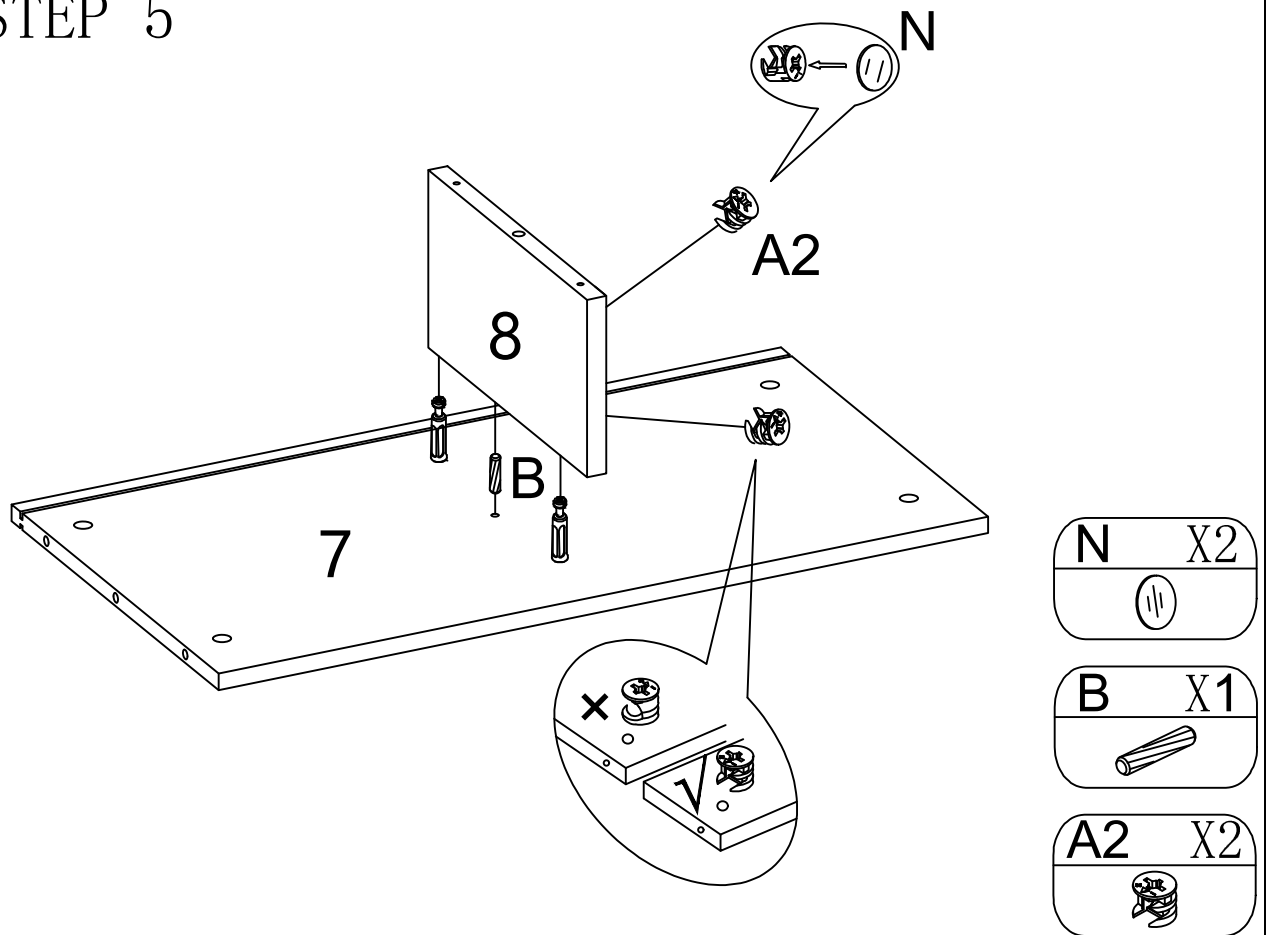
STEP 3



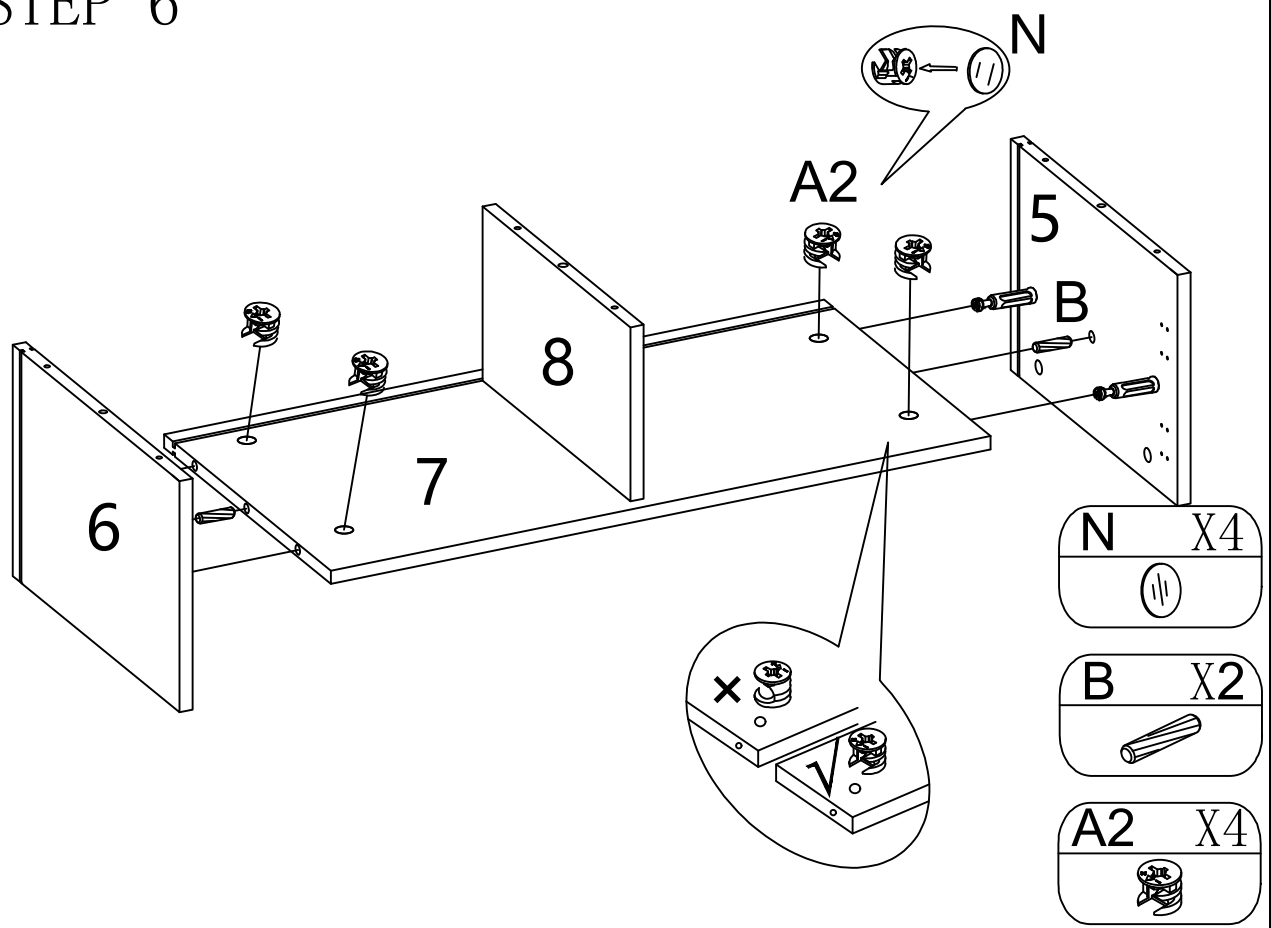
STEP 4



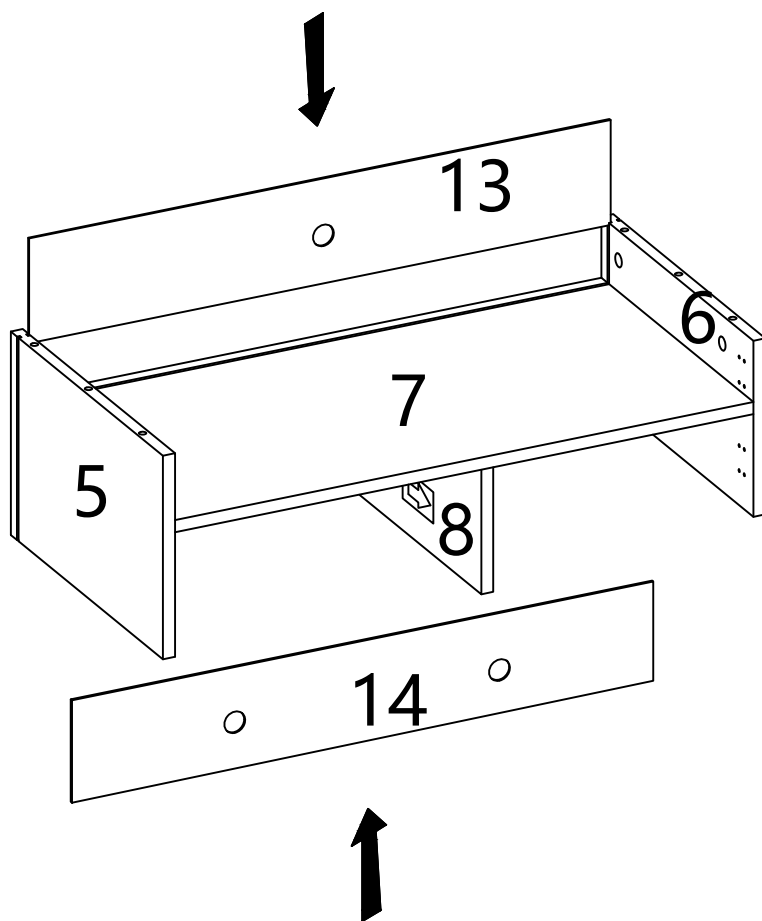
STEP 5



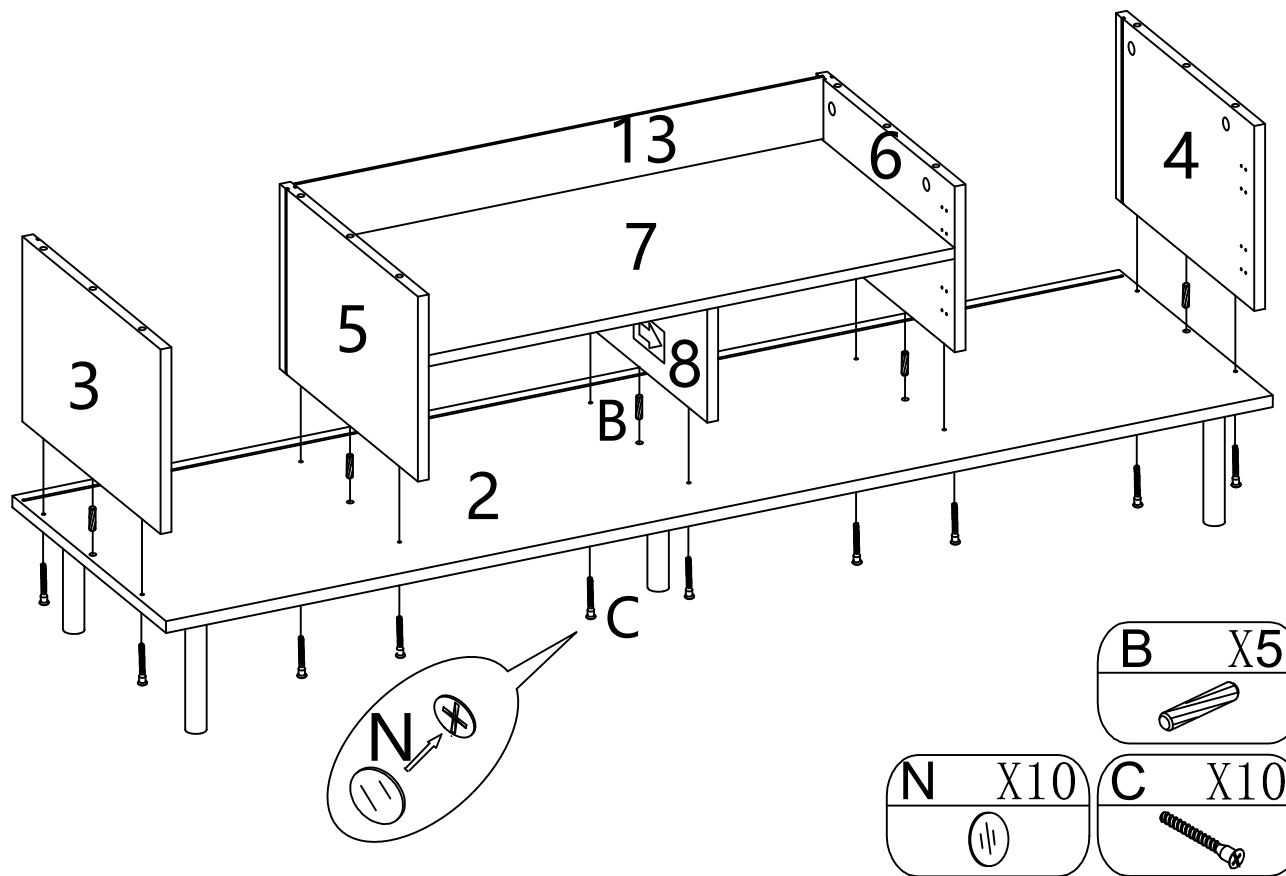
STEP 6



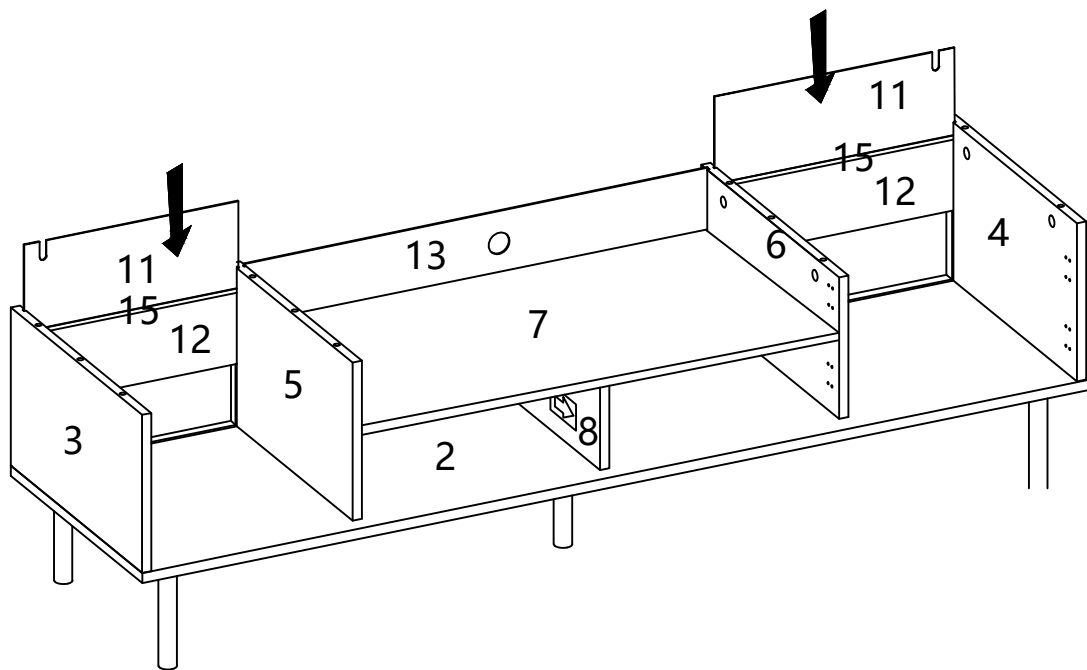
STEP 7



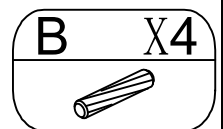
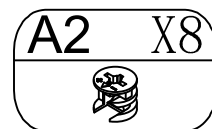
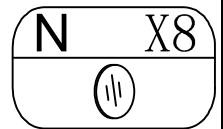
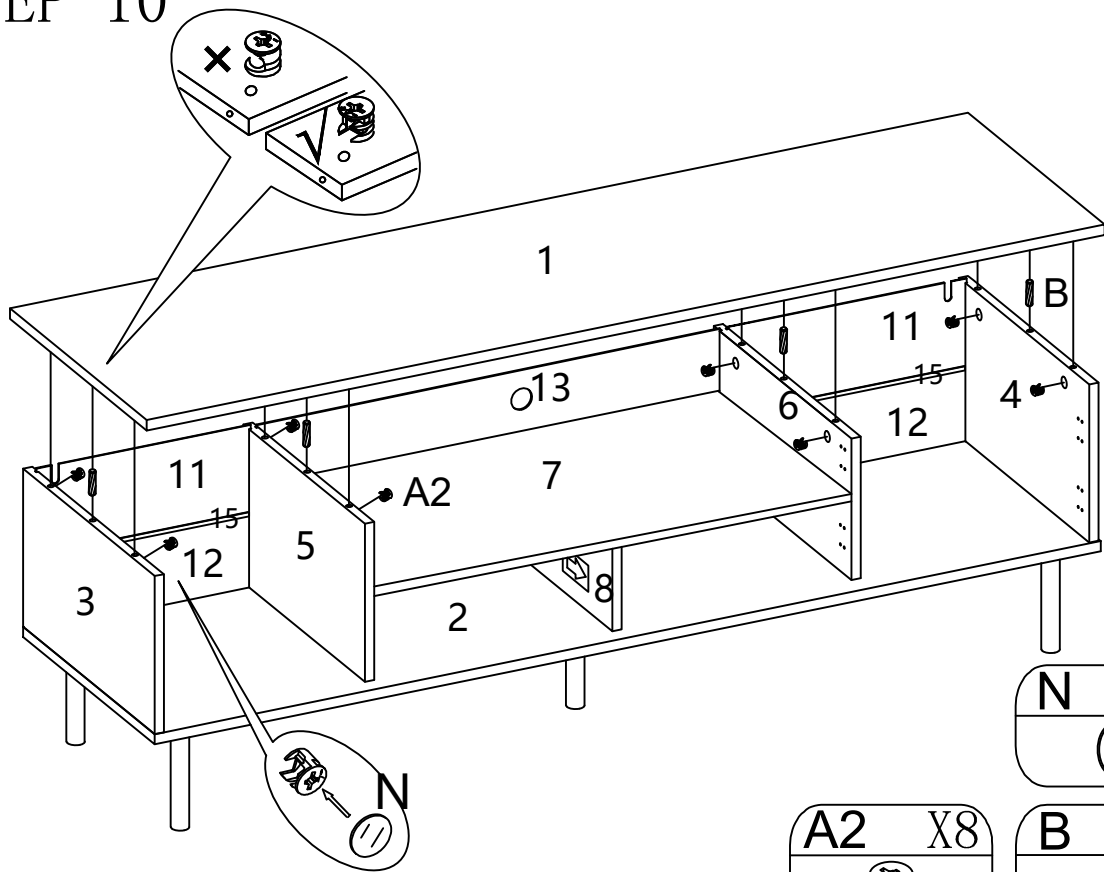
STEP 8



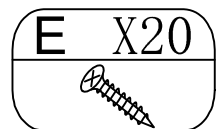
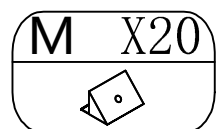
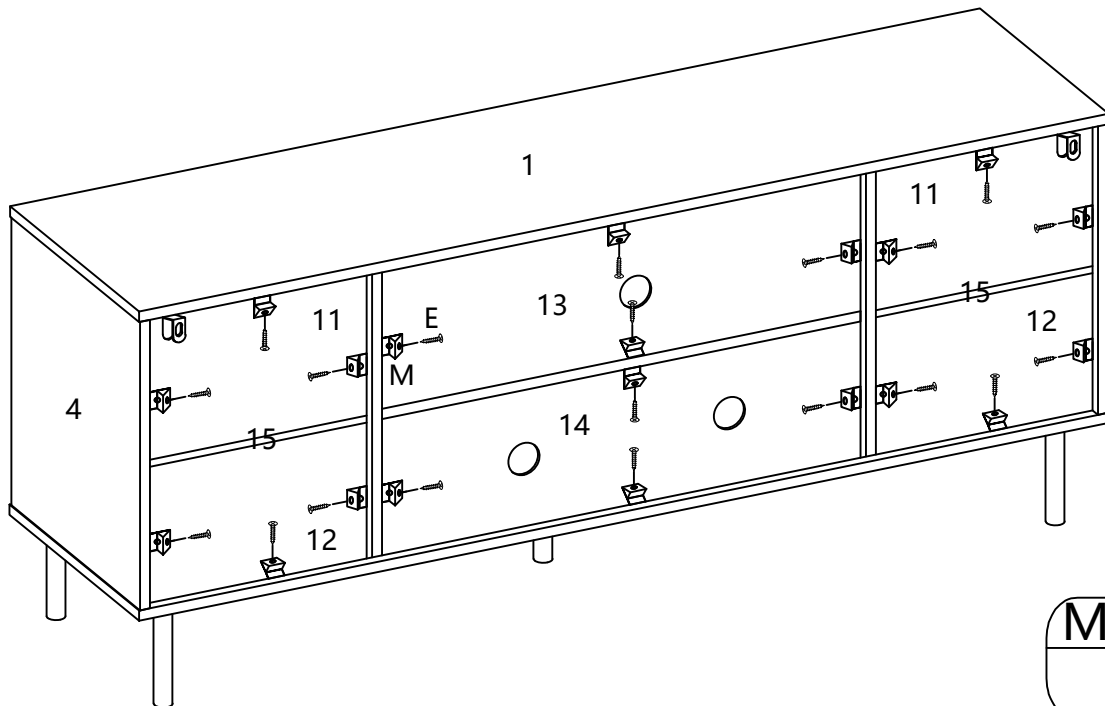
STEP 9



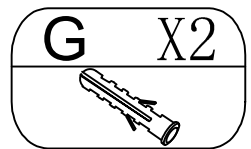
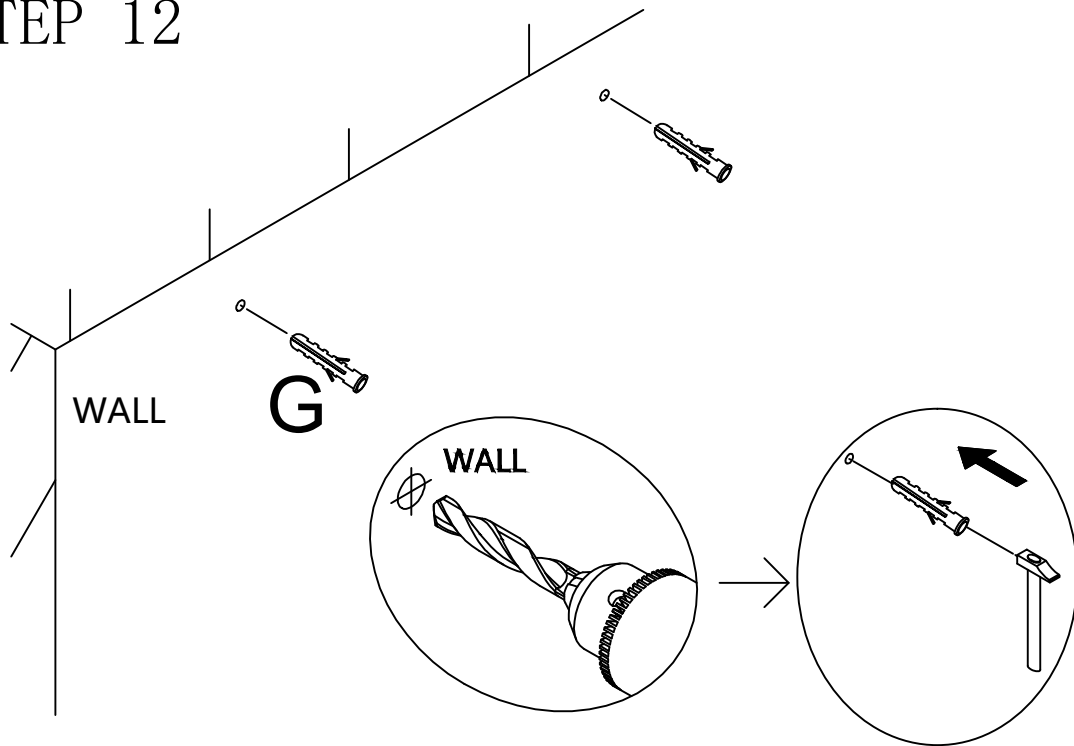
STEP 10



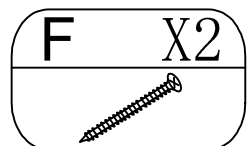
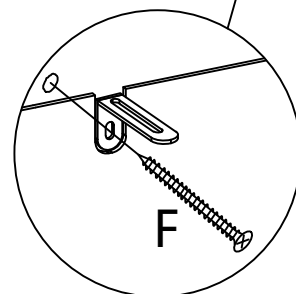
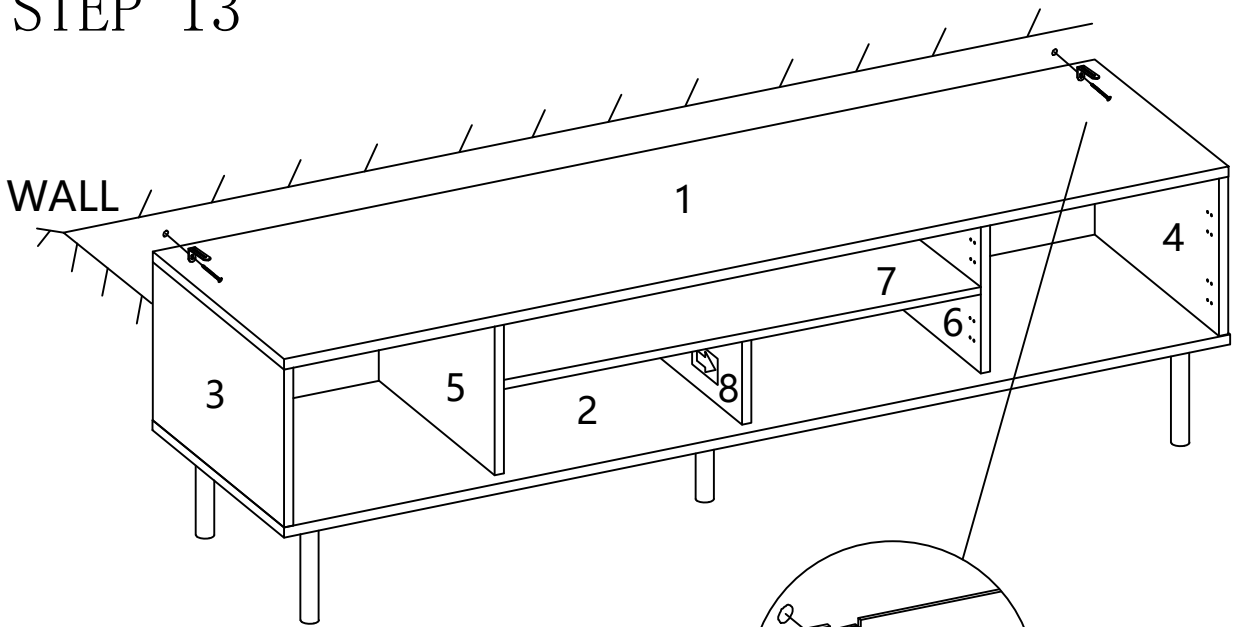
STEP 11



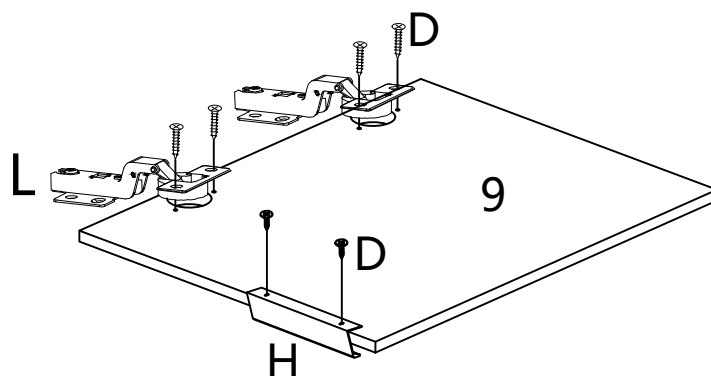
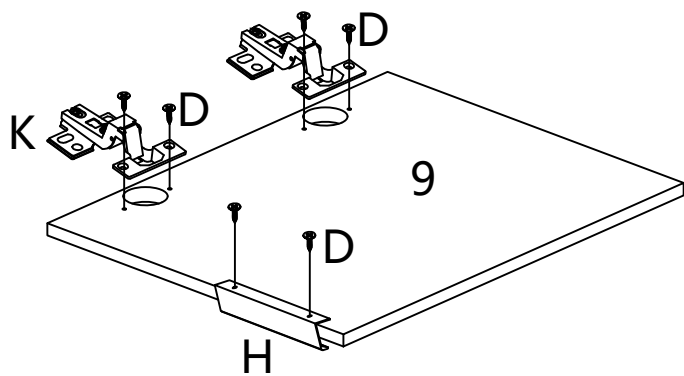
STEP 12



STEP 13



STEP 14



K X2



L X2



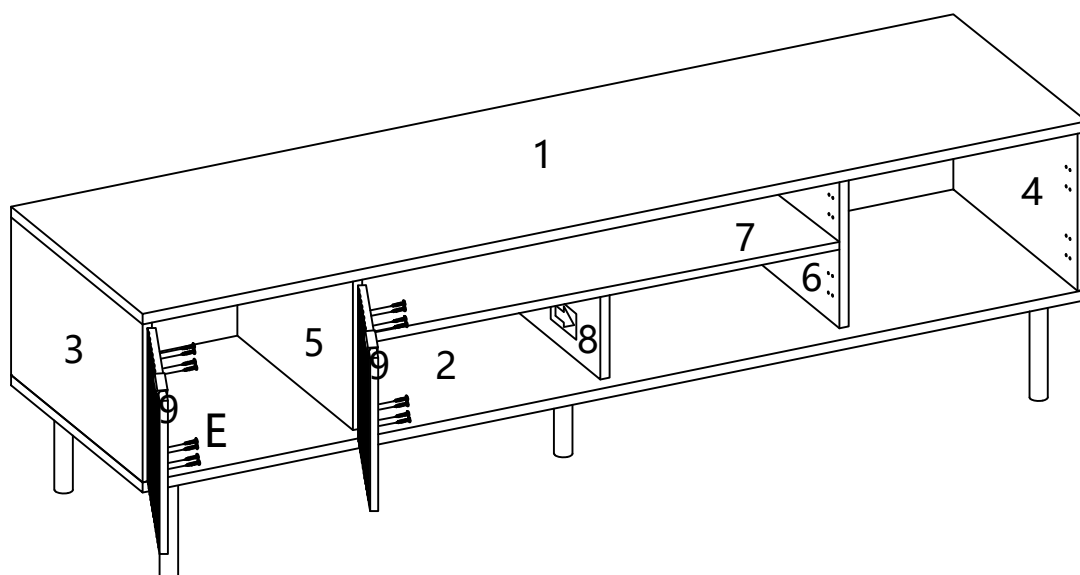
D X12



H X2



STEP 15

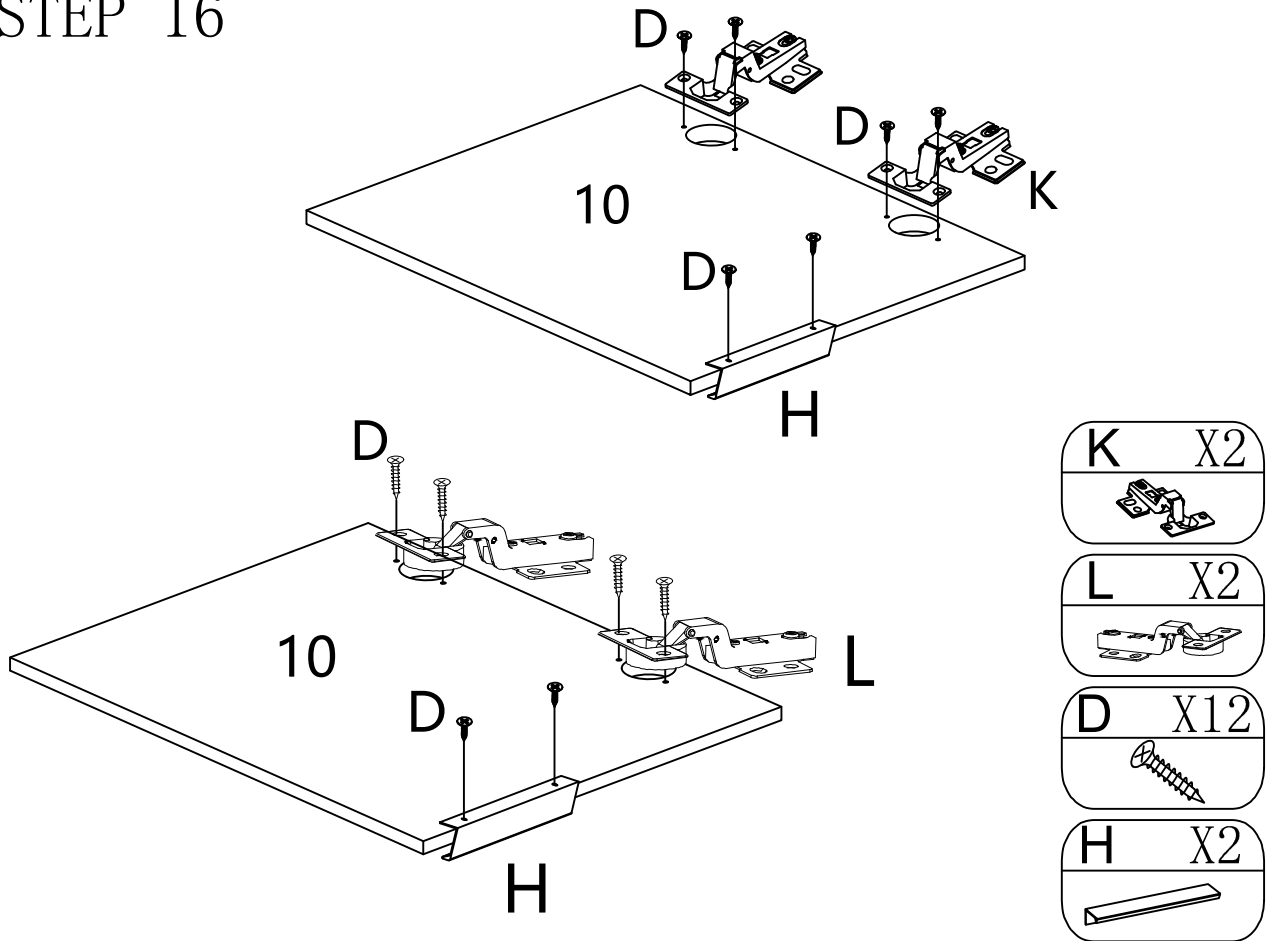


Install the 9th board of K hardware onto the 3rd board; Install plate 9 of L hardware onto plate 5.

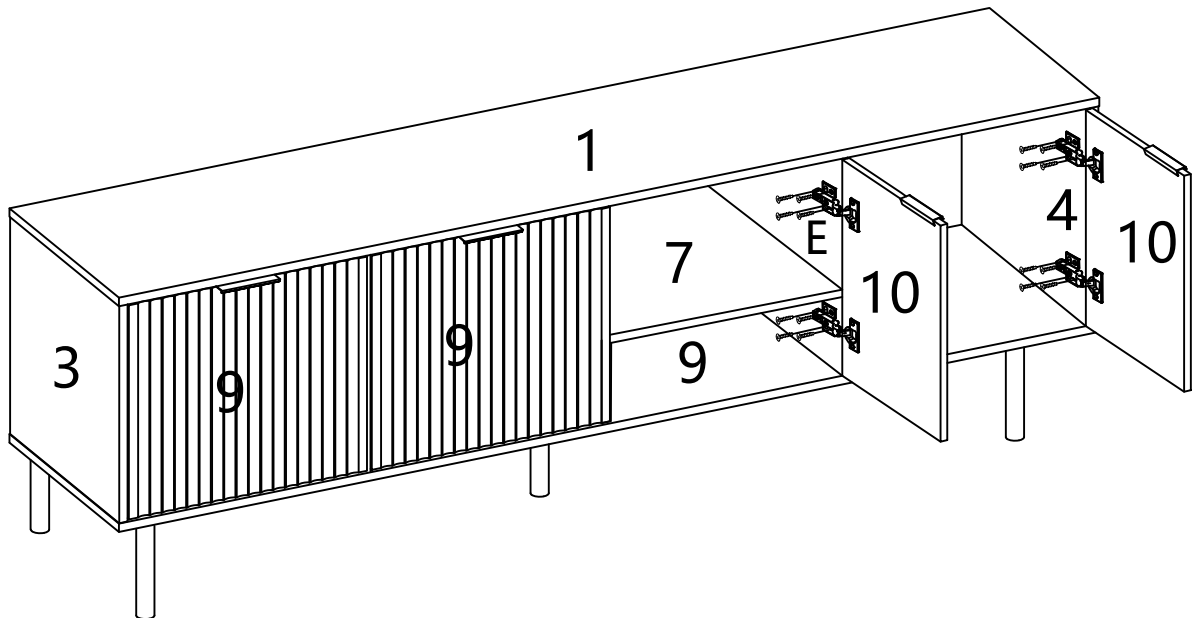
E X16



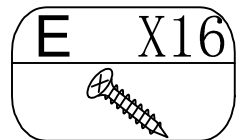
STEP 16



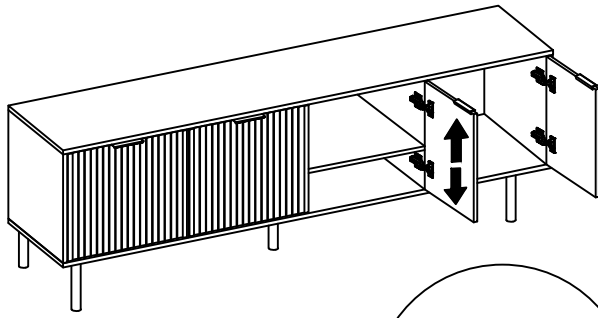
STEP 17



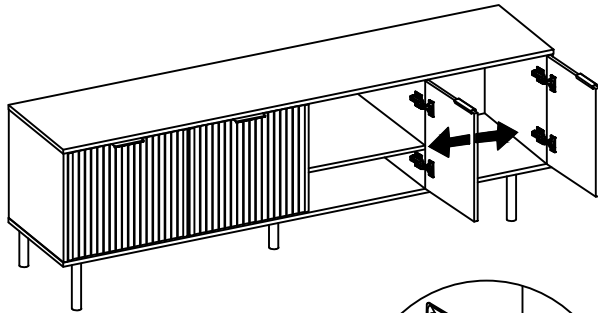
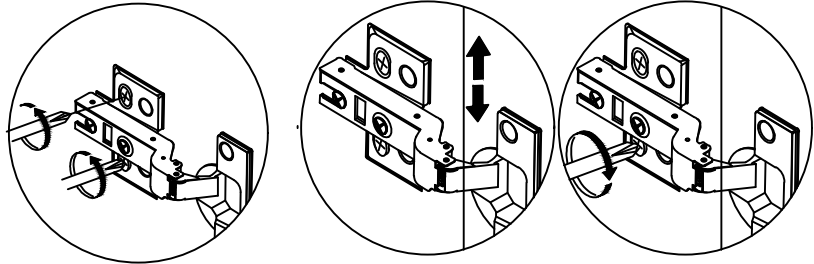
Install the 10th board of K hardware and install it on the 4th board; Install plate 10 of L hardware onto plate 6.



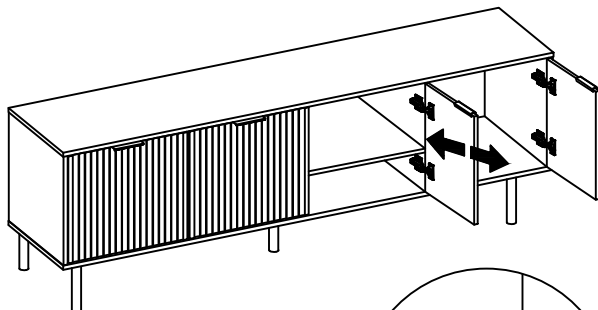
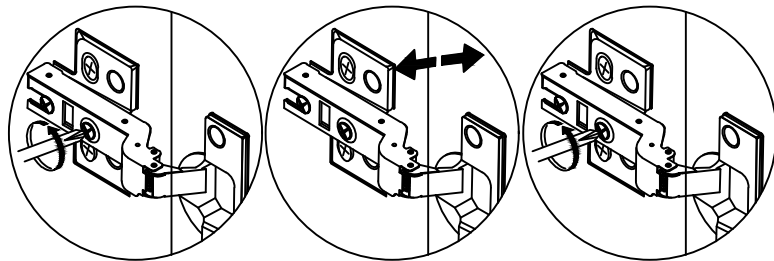
STEP 18



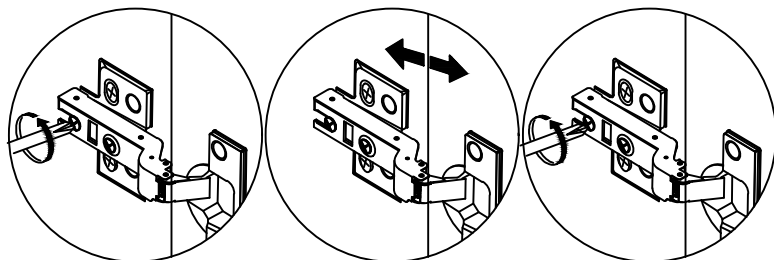
Cabinet door up and down fine adjustment



Cabinet door left and right fine adjustment



Fine-tune the gap after the cabinet door is closed



STEP 19

