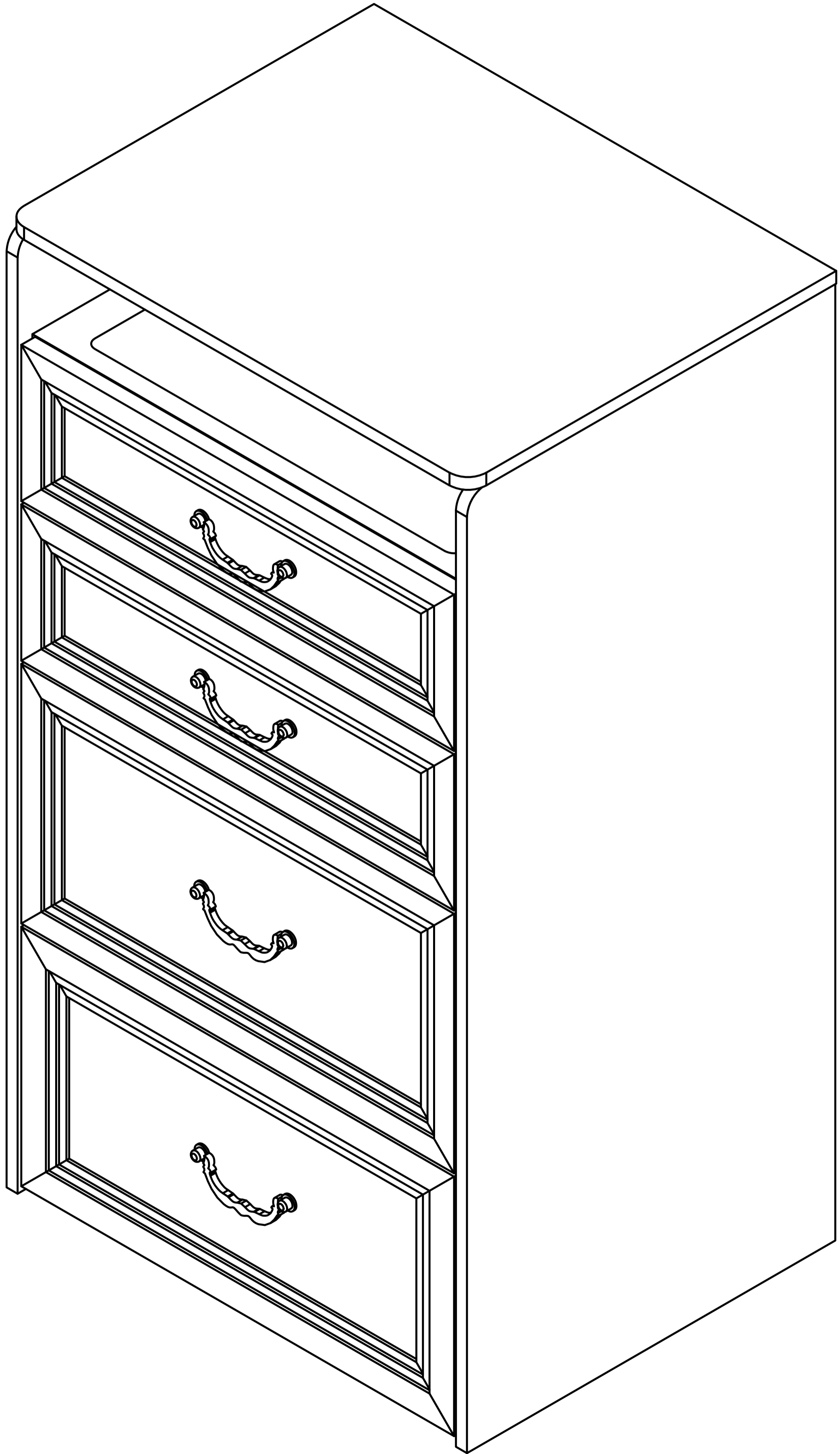
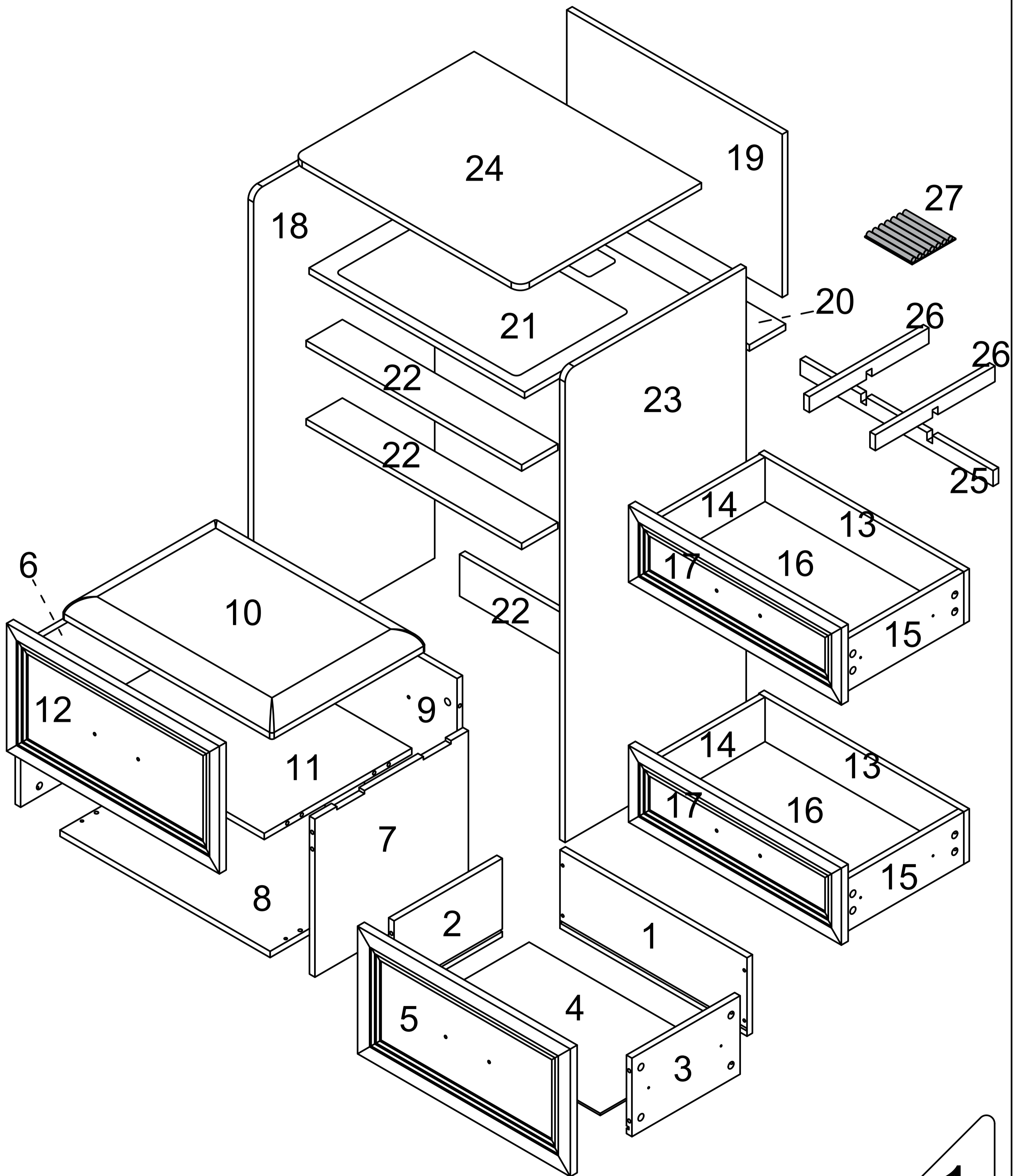


# Vanity Table Manual

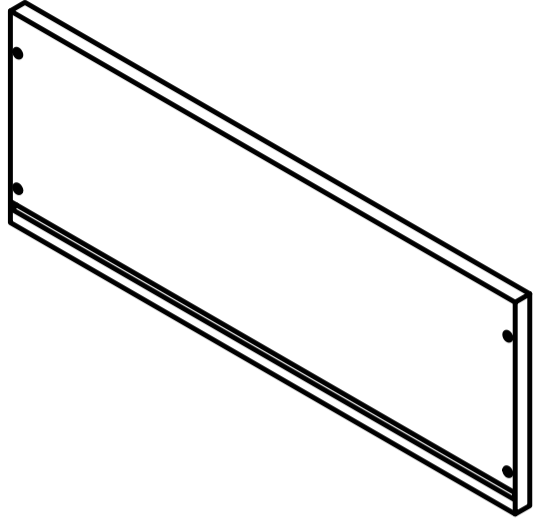


# Product structure decomposition

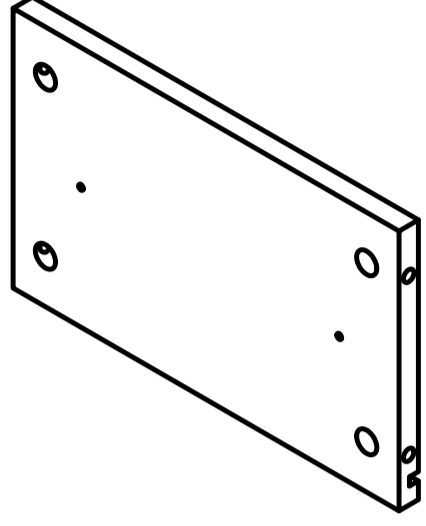


SY

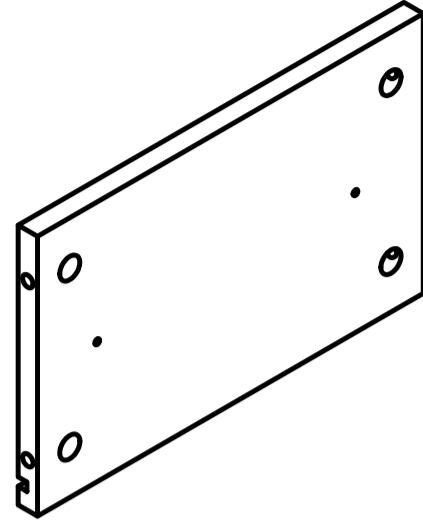
# Hardware list



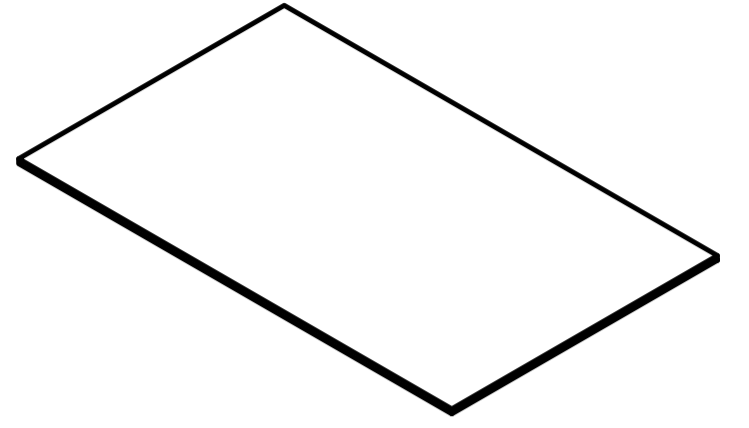
1x1



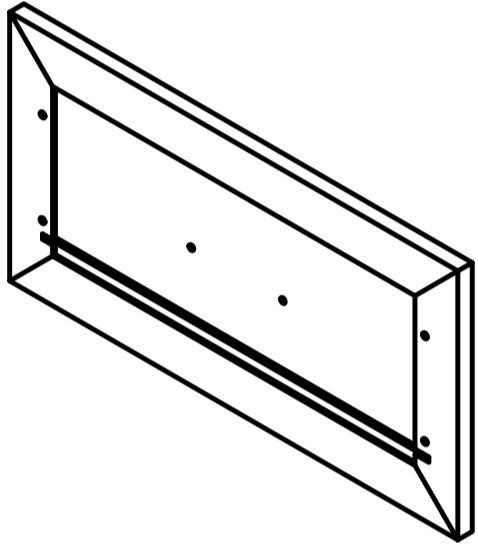
2x1



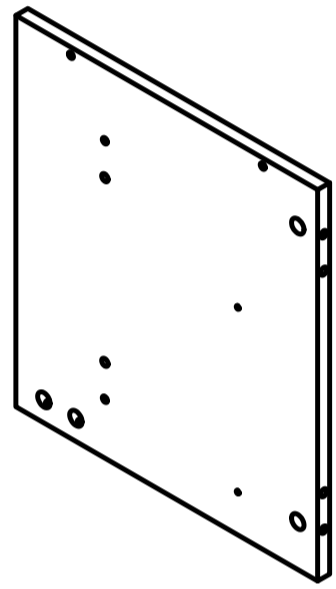
3x1



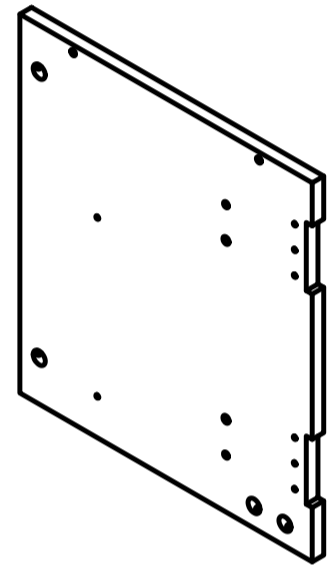
4x1



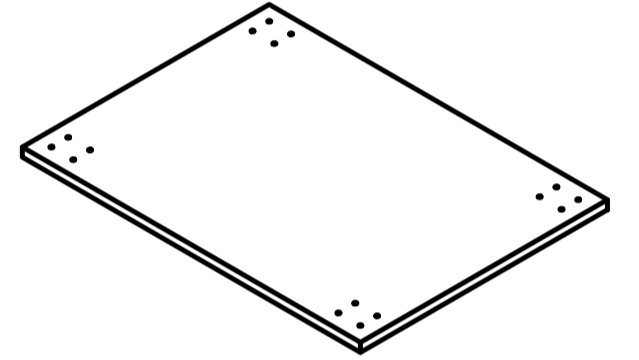
5x1



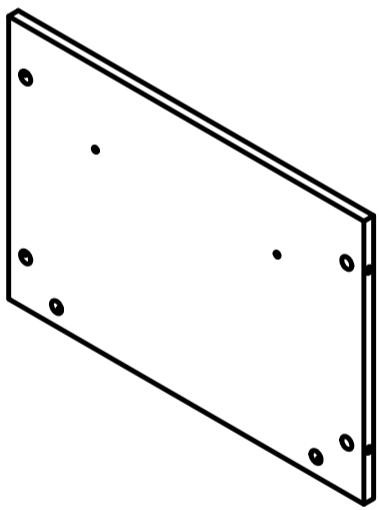
6x1



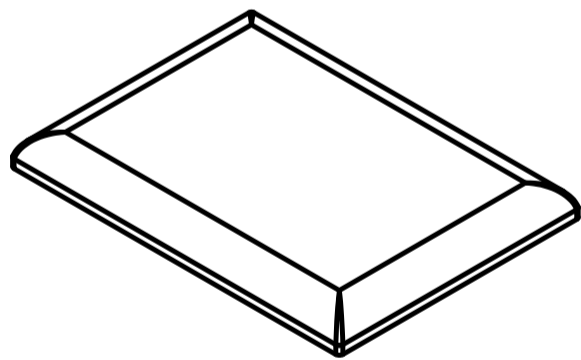
7x1



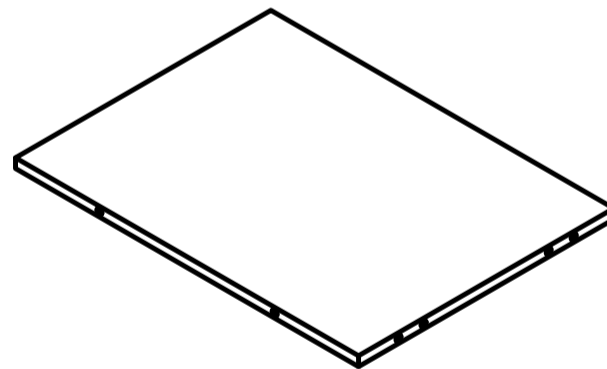
8x1



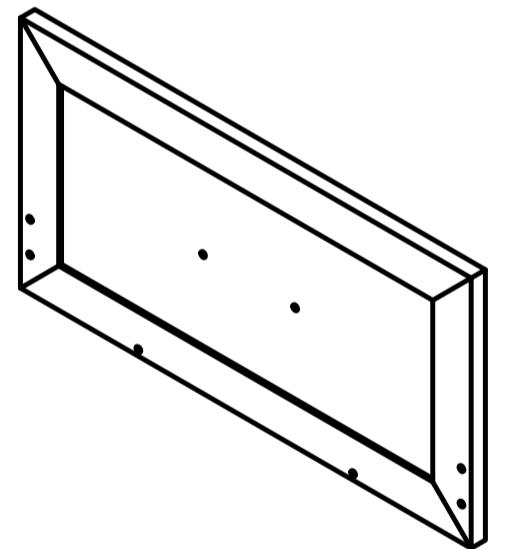
9x1



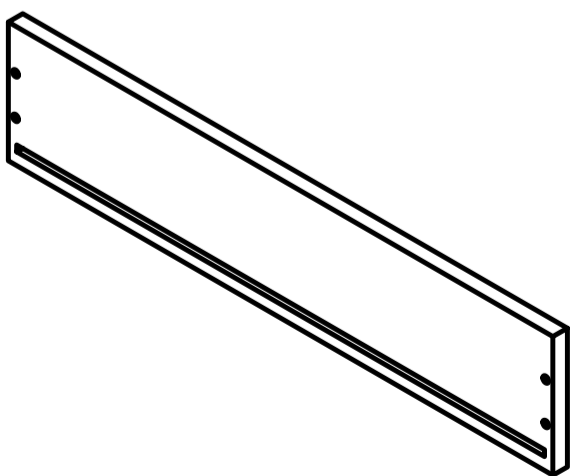
10x1



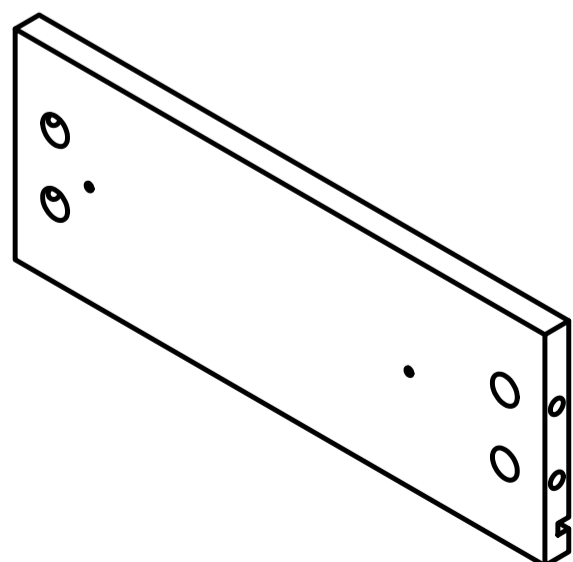
11x1



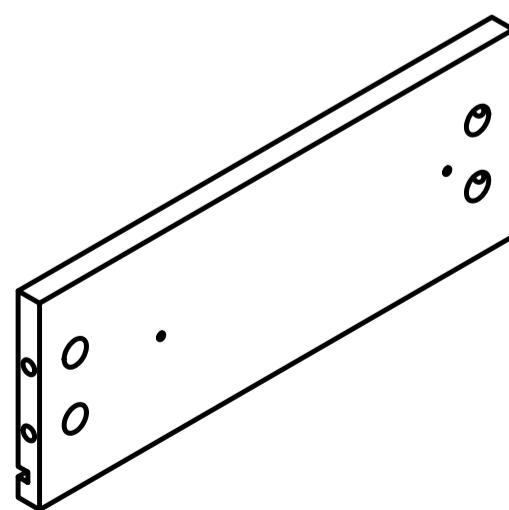
12x1



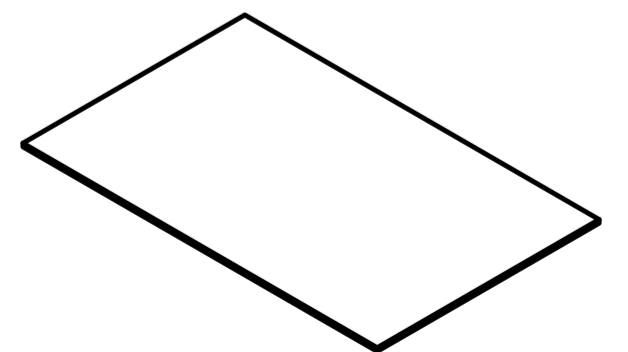
13x2



14x2

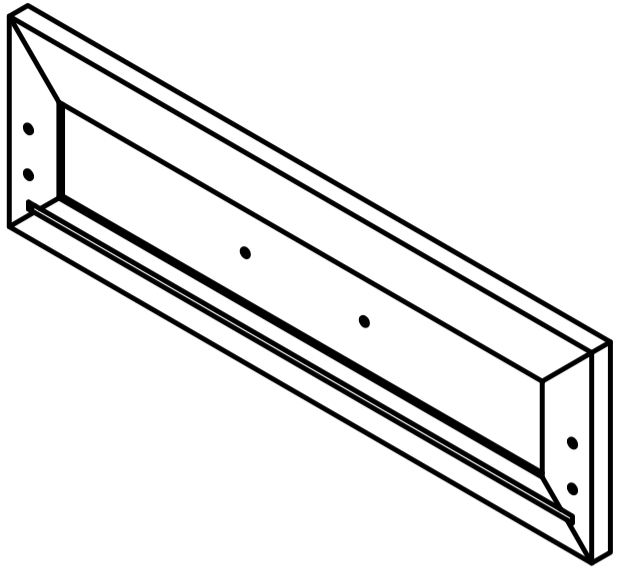


15x2

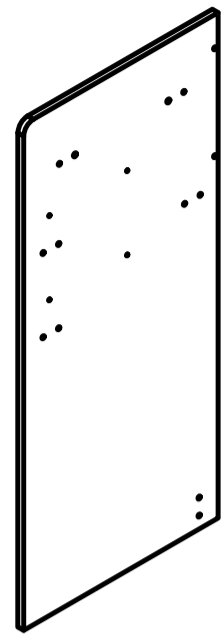


16x2

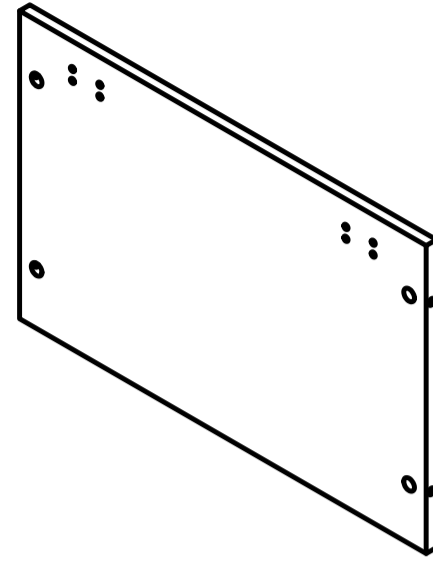
# Hardware list



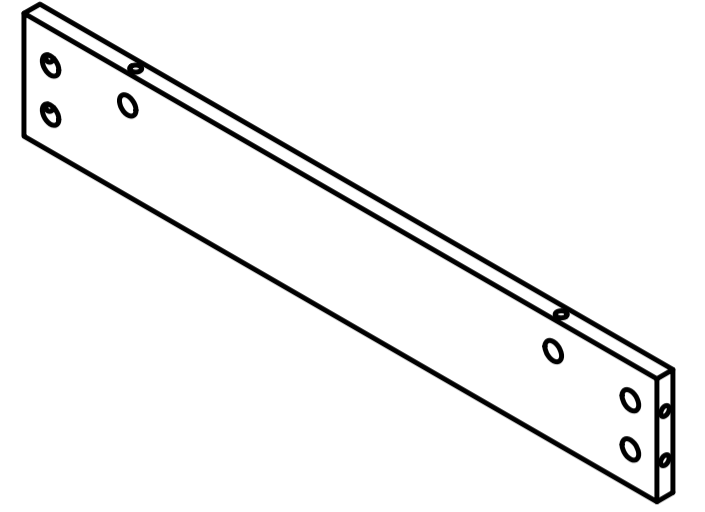
17x2



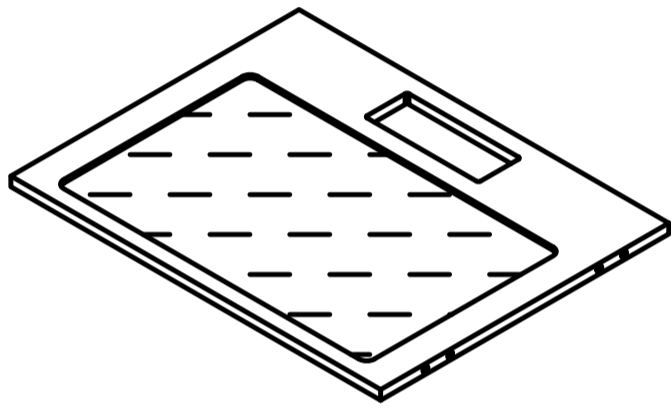
18x1



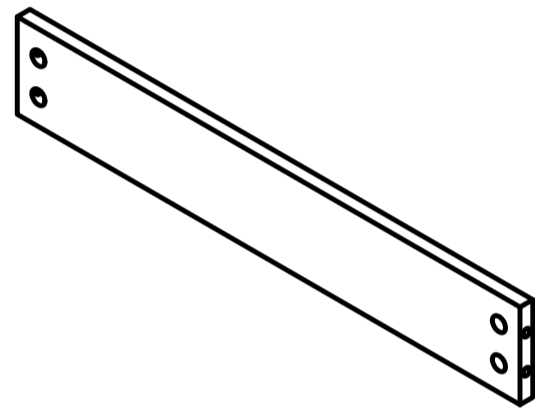
19x1



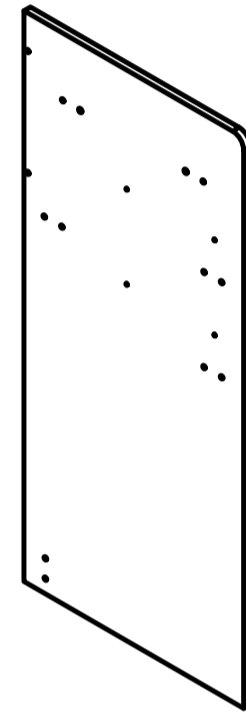
20x1



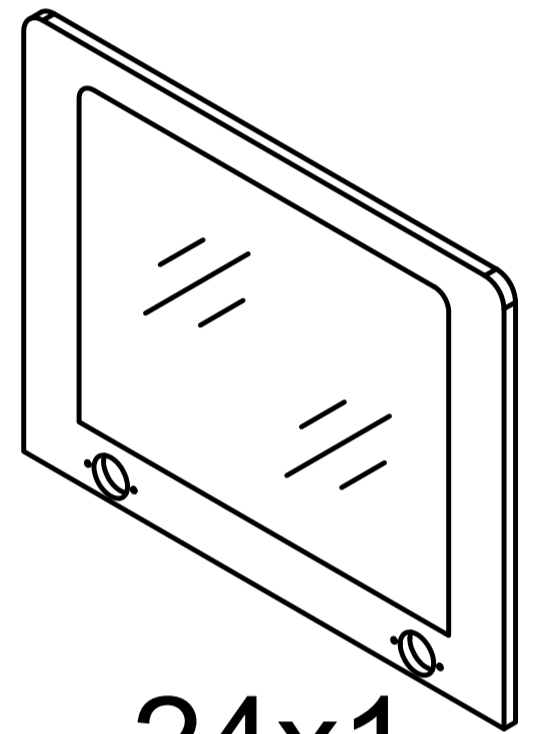
21x1



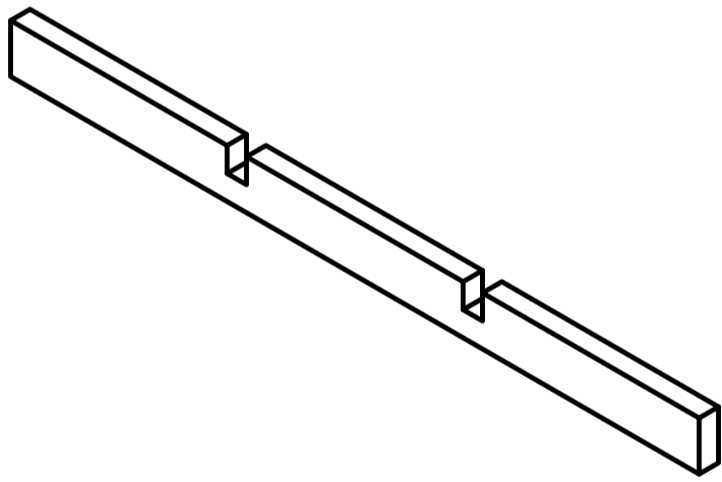
22x3



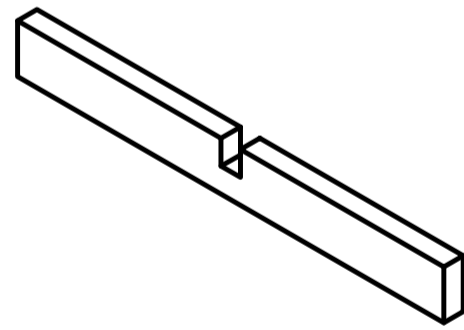
23x1



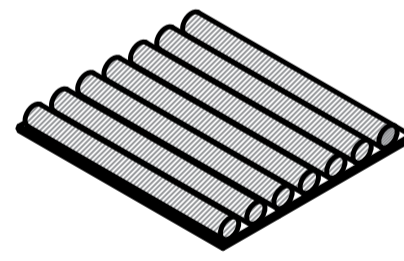
24x1



25x1

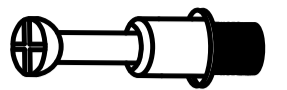


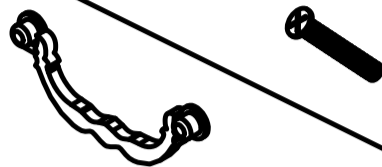
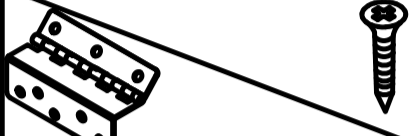

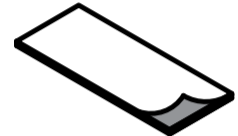
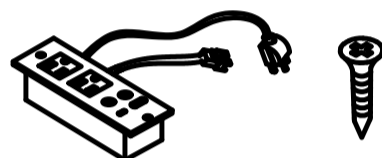
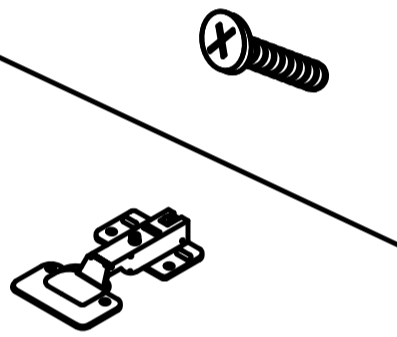
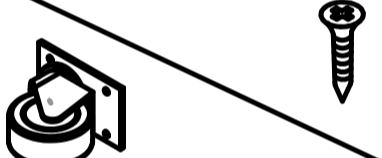
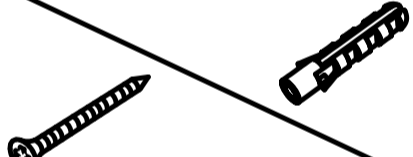

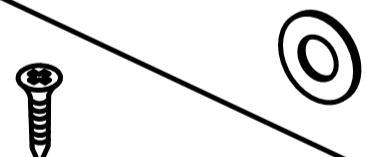


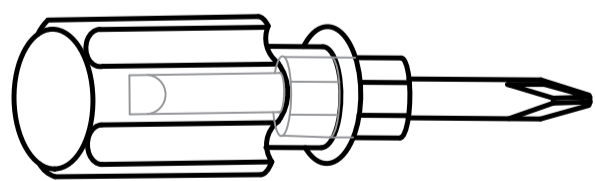
26x2



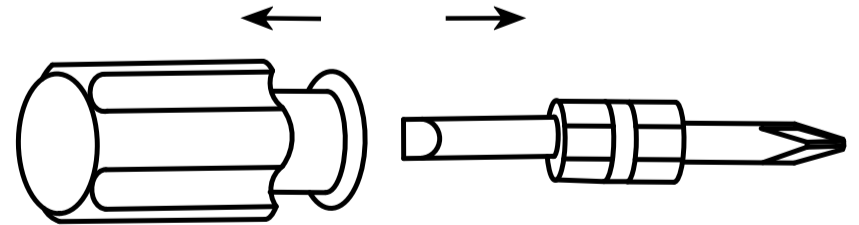
27x1

# Accessories list

A		Two in one screw (6x28mm)	74pcs
B		Two in one nut (10x12mm)	74pcs
C		Wood chipping (6x30mm)	14pcs
D		Handle & screw (4x8mm)	8pcs 4pcs
E		Hinge & Screw (B3.5x12mm)	12pcs 2pcs
F	 1pcs      5pcs	Screw & Guide(250mm) (3.5x12mm)	6pcs
G		Non-slip pads	4pcs
H		Power Socket & Screw (3.5x12mm)	2pcs 1pcs
I		Countersunk head tapping screw(4x10mm)	12pcs 2pcs
J		Spinner wheels (3.5x12)	16pcs 4pcs
K		Countersunk head tapping screw (4x45mm)	1pcs 1pcs
L		anti-tipping tape	2pcs
M		Countersunk head tapping screw(3.5x12mm) gasket	3pcs 3pcs

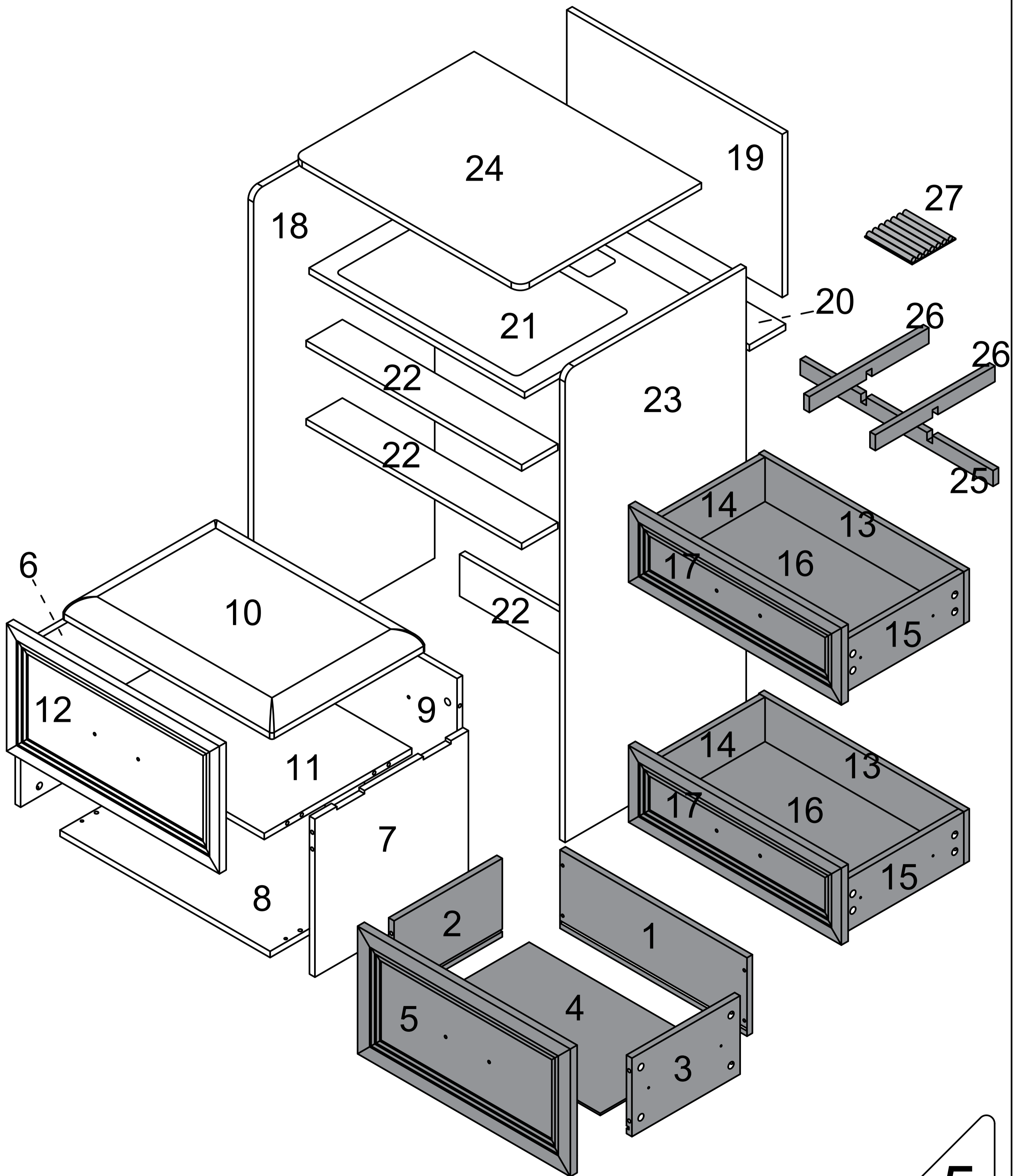


1pcs



Double-head screwdriver, use as required

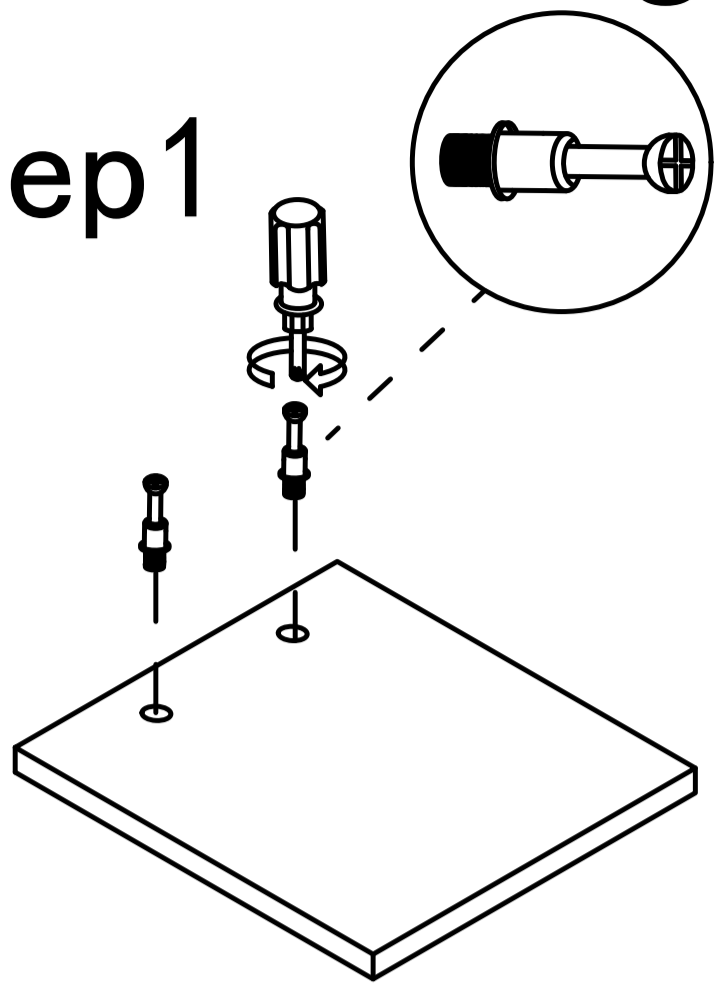
# Product structure decomposition



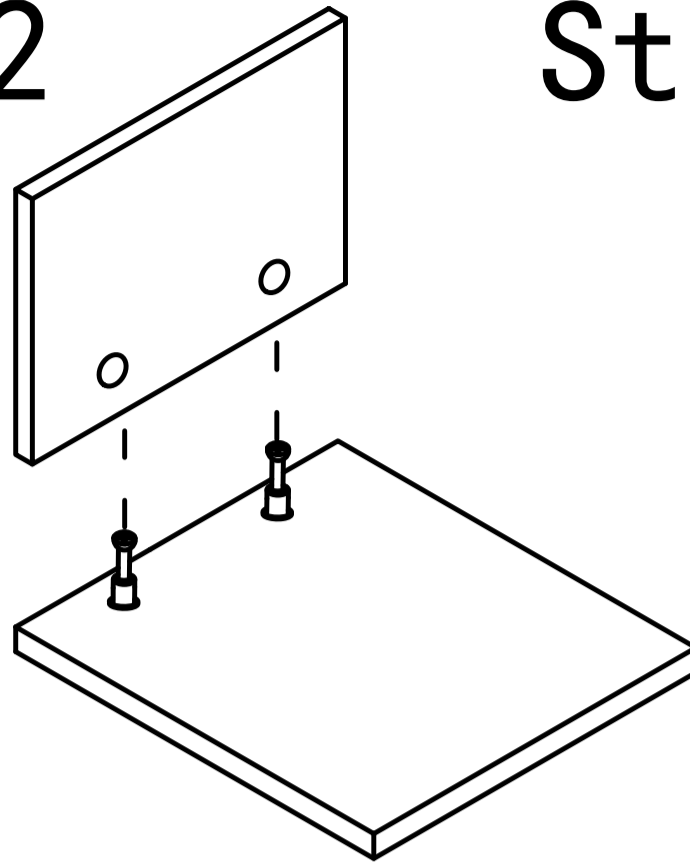
SY

# Use parts ① and ②

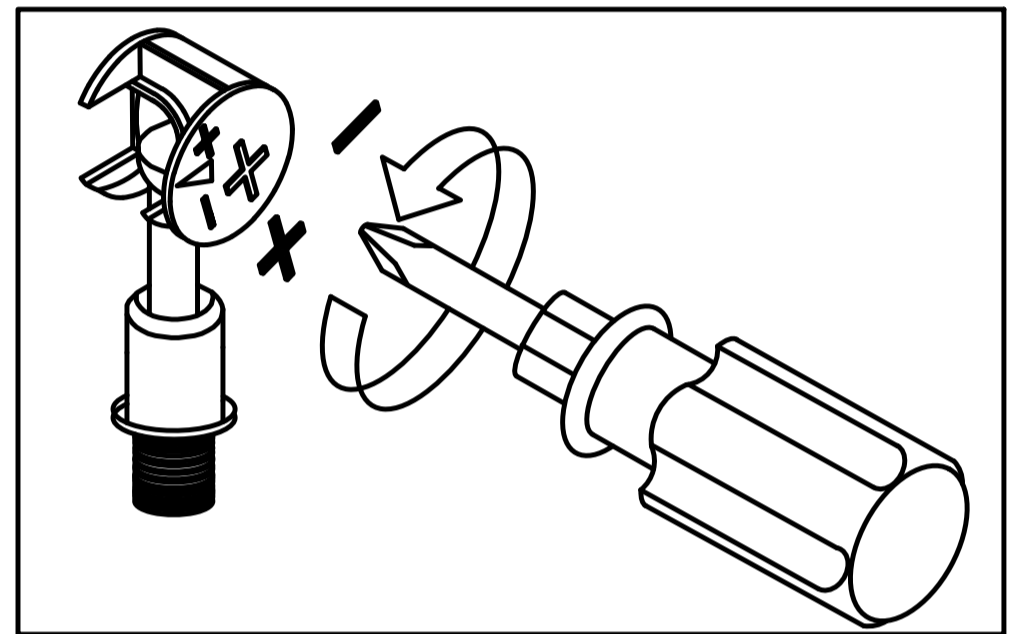
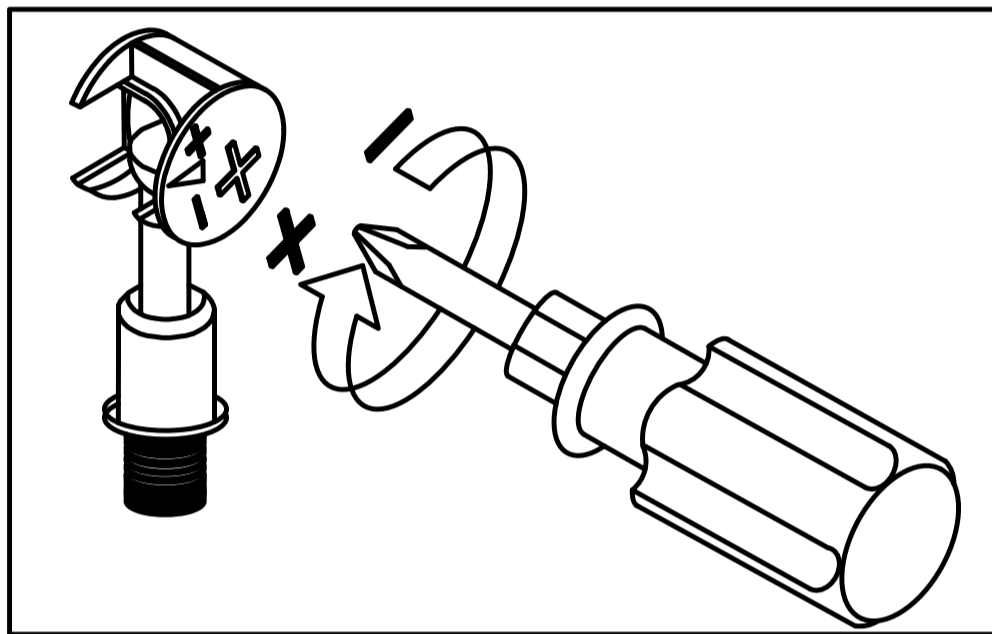
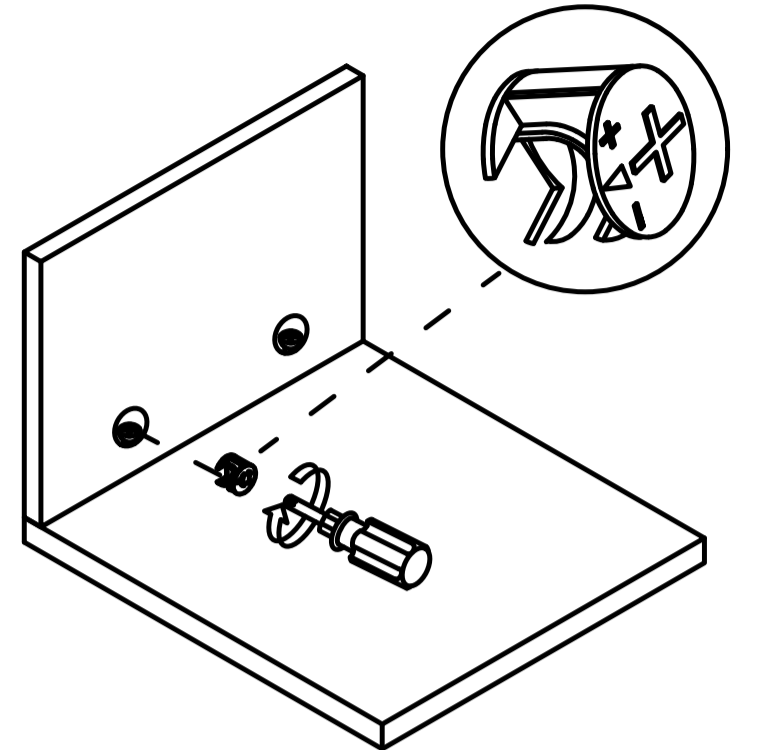
Step 1



Step 2



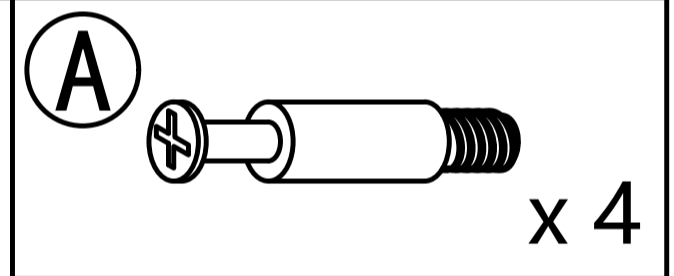
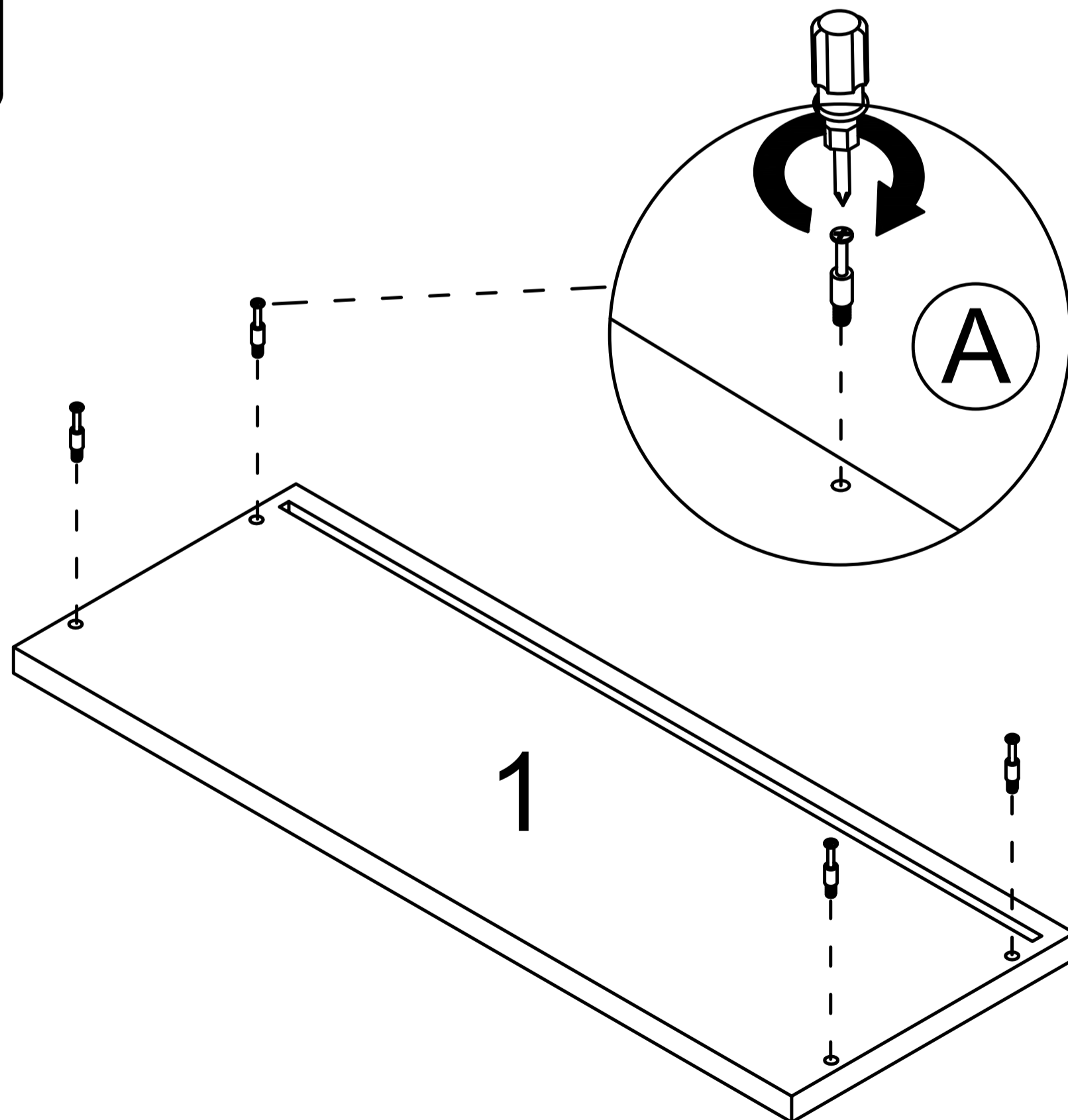
Step 3



Use a screwdriver to lock in the direction of the "+" sign

Disassemble along the direction of "-" sign

Step 1

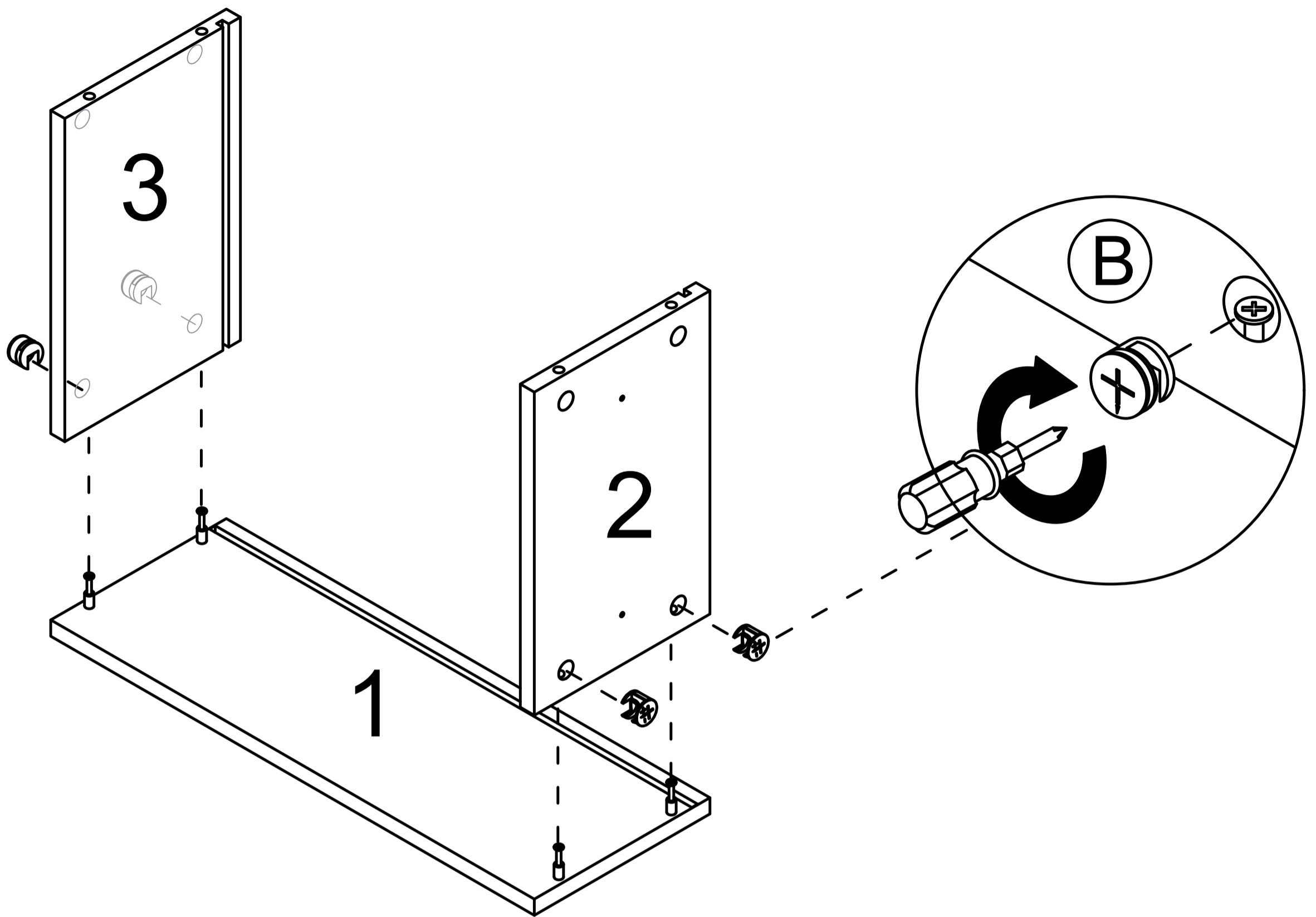


6

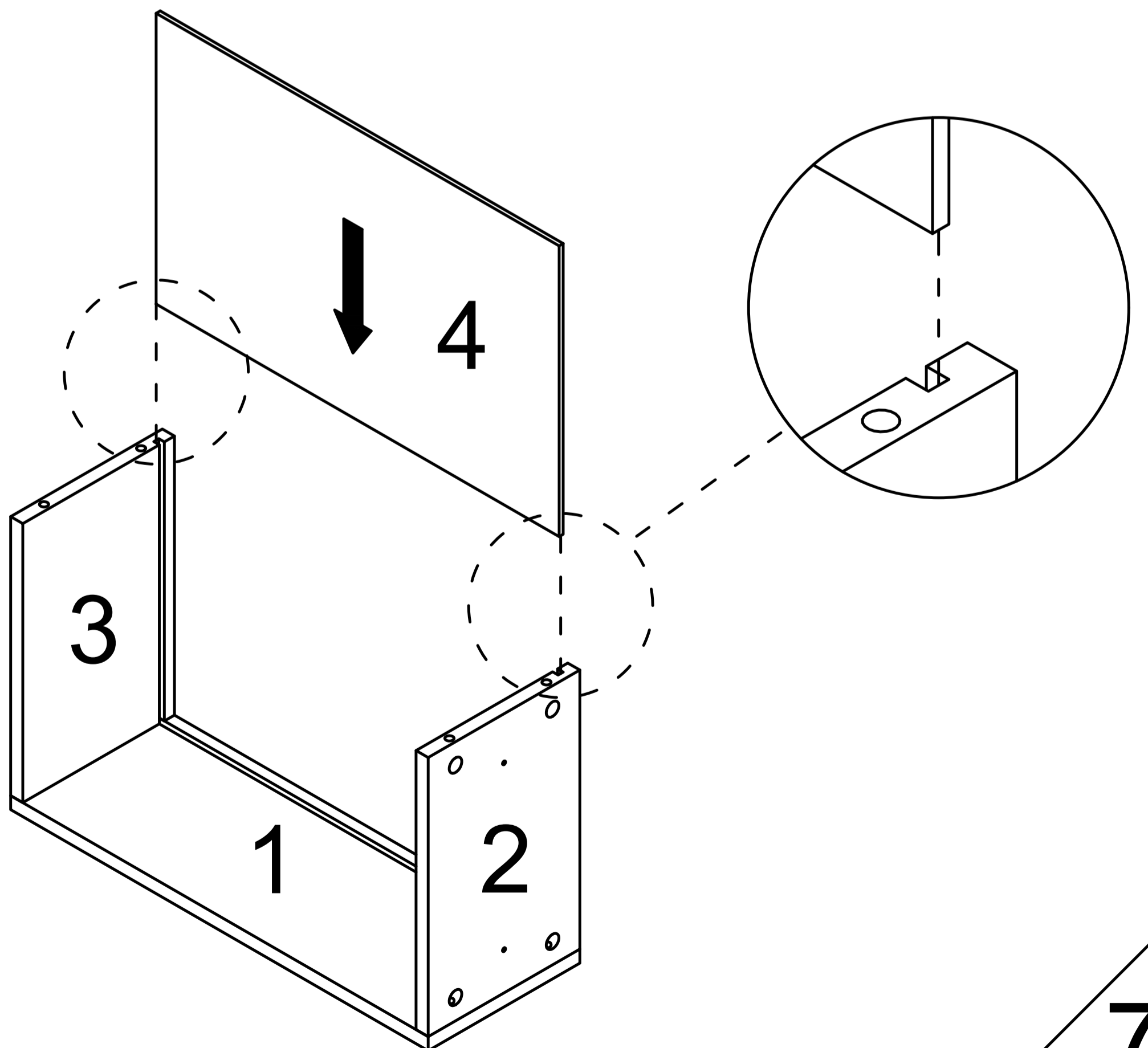
SY

Step 2

(B)  x 4



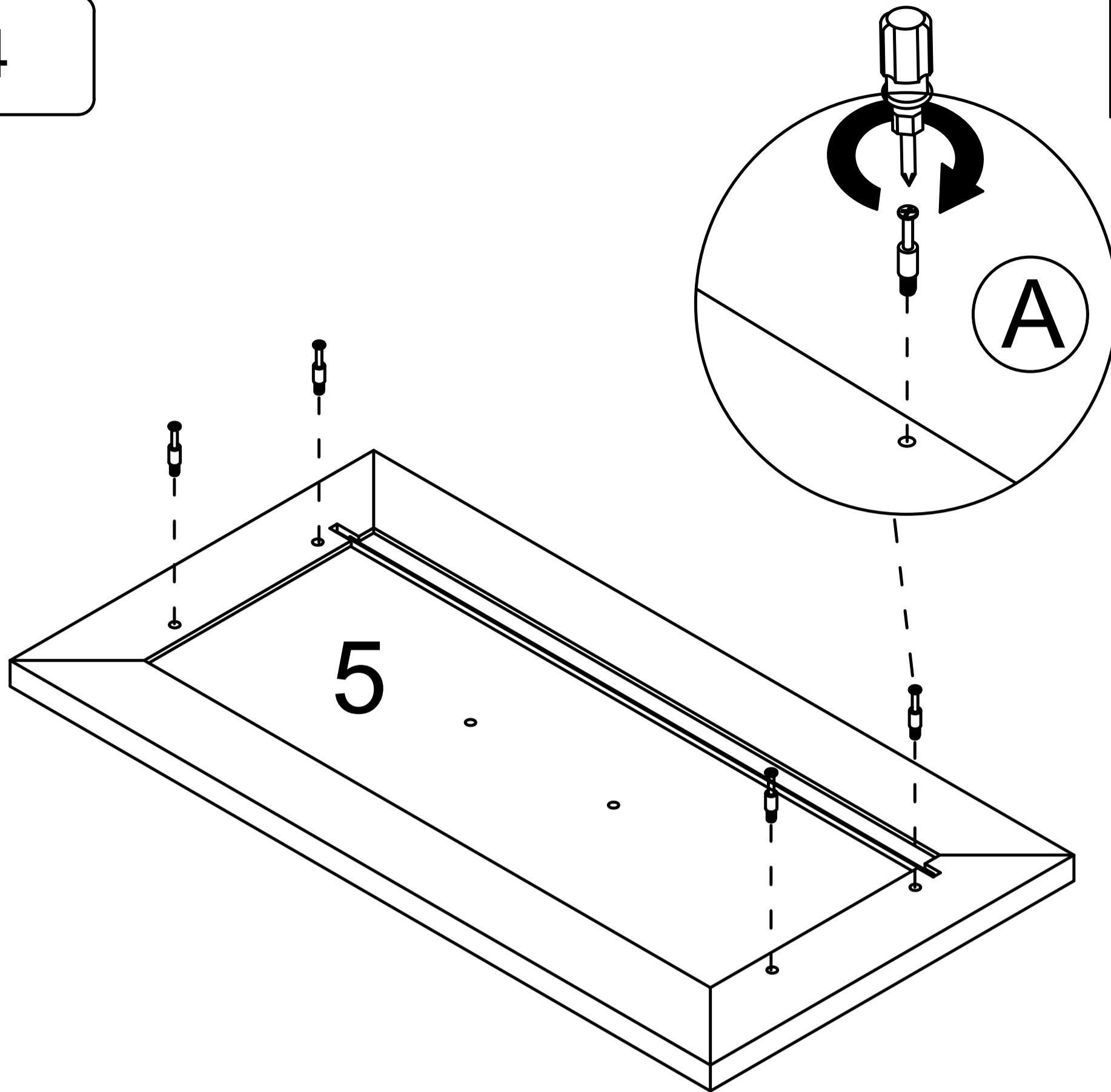
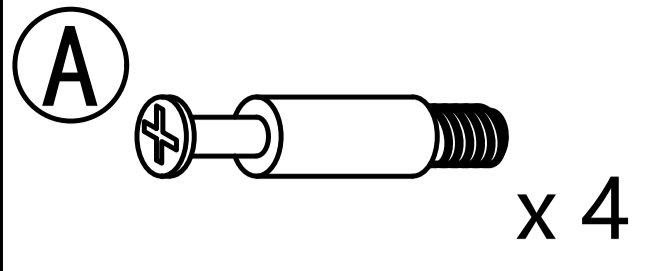
Step 3



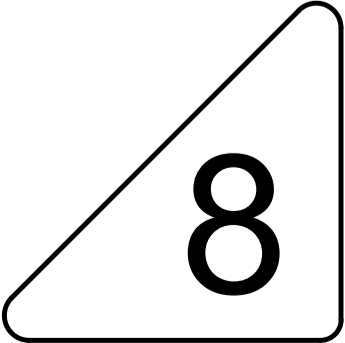
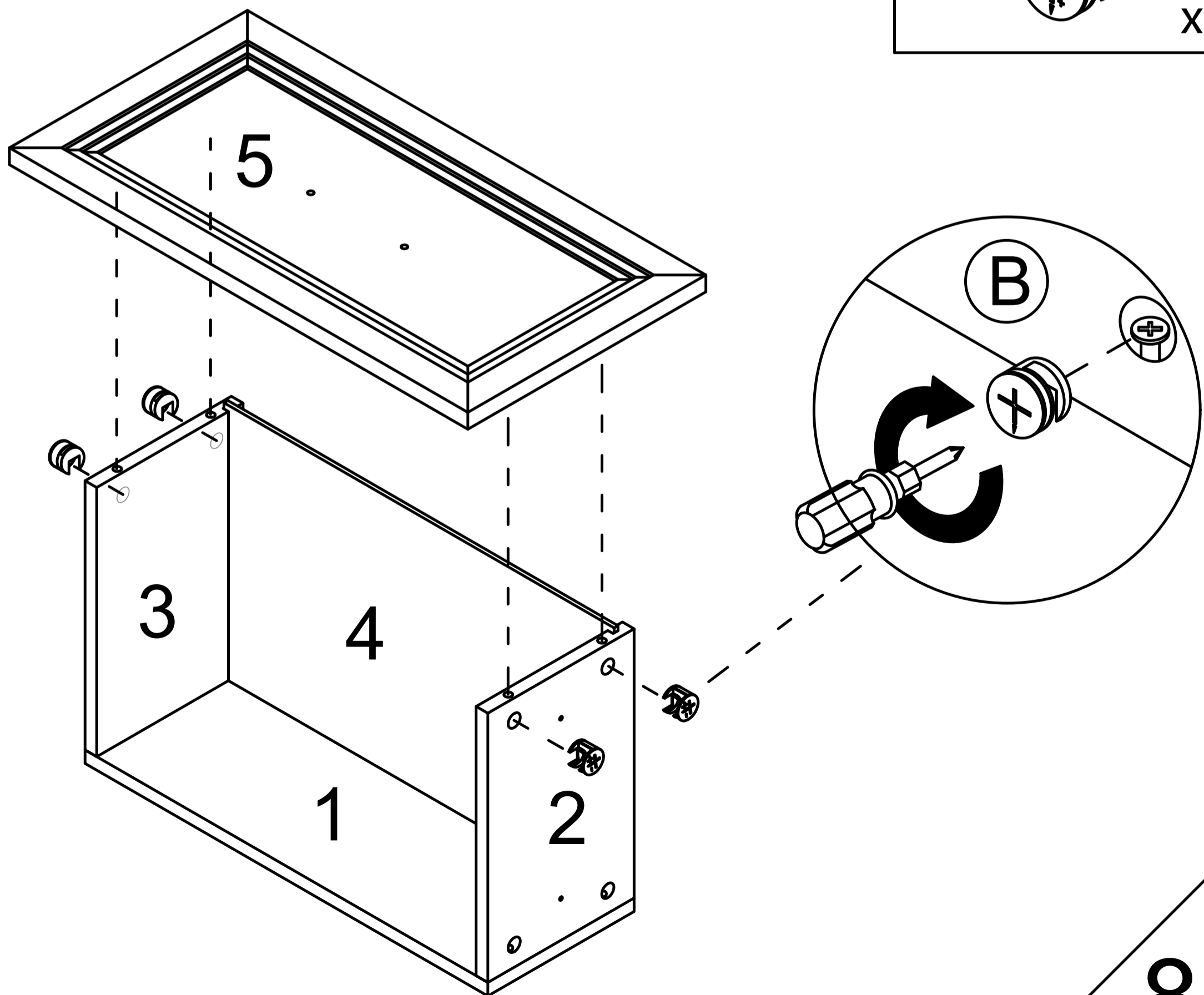
7

SY

Step 4



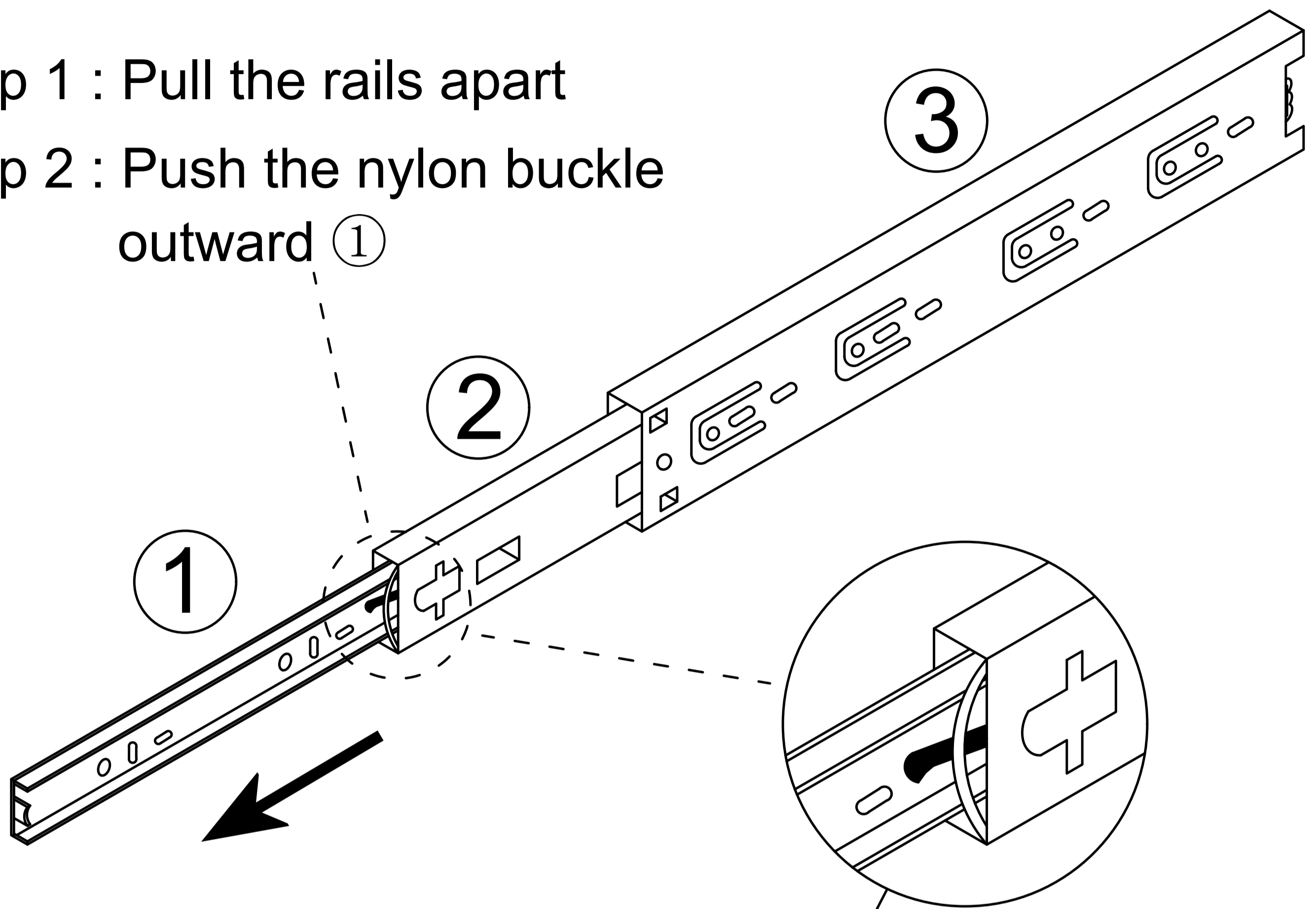
Step 5



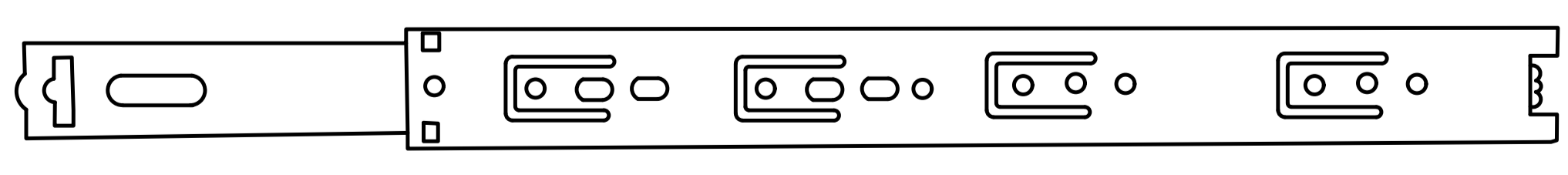
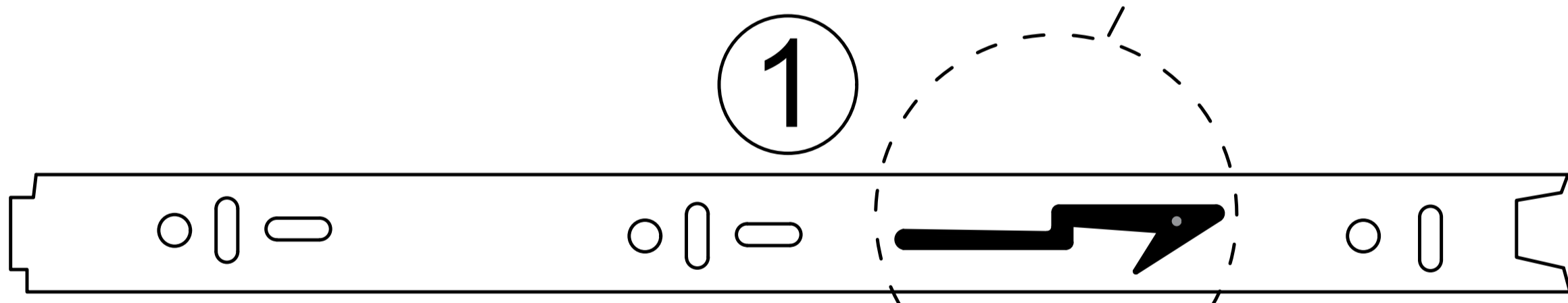
Rails Use the indicator diagram

Step 1 : Pull the rails apart

Step 2 : Push the nylon buckle outward



The black part is pushed down to remove the rails





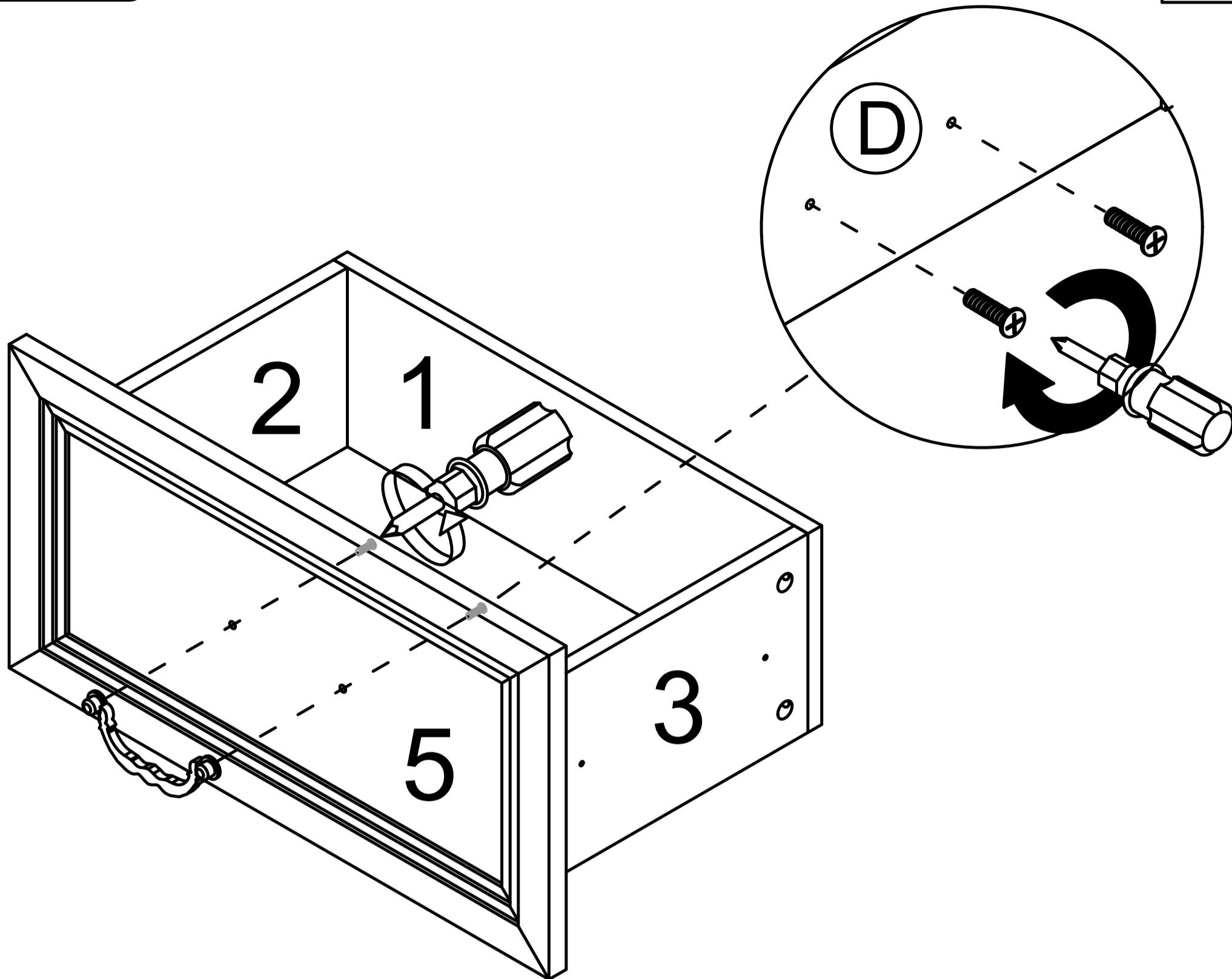
2

3



9

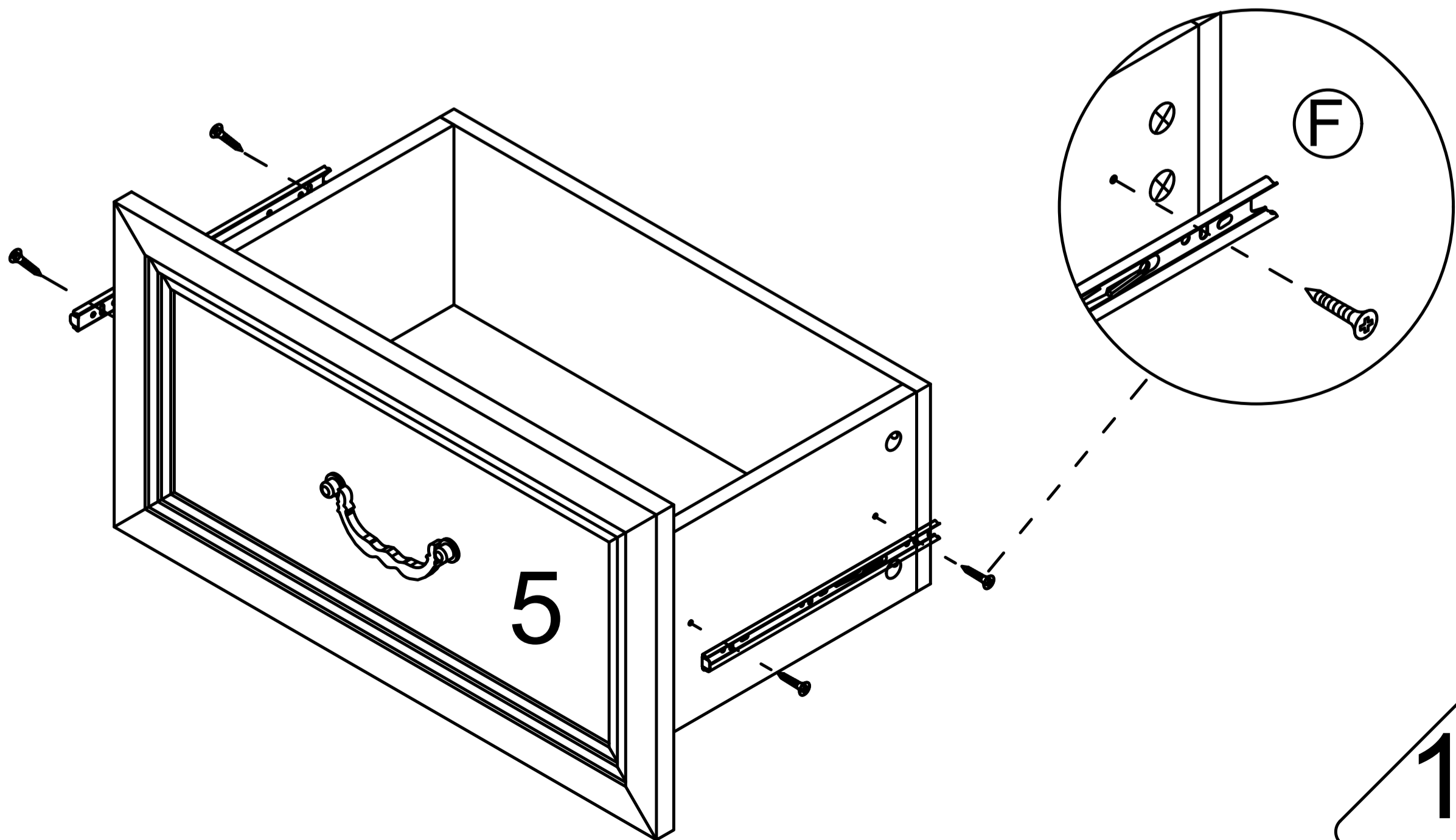
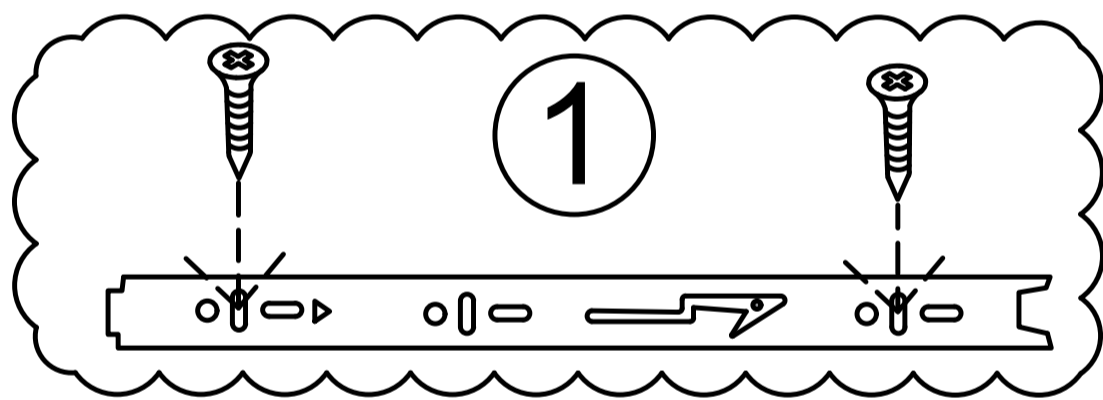
Step 6

- (D)  x 1
-  x 2

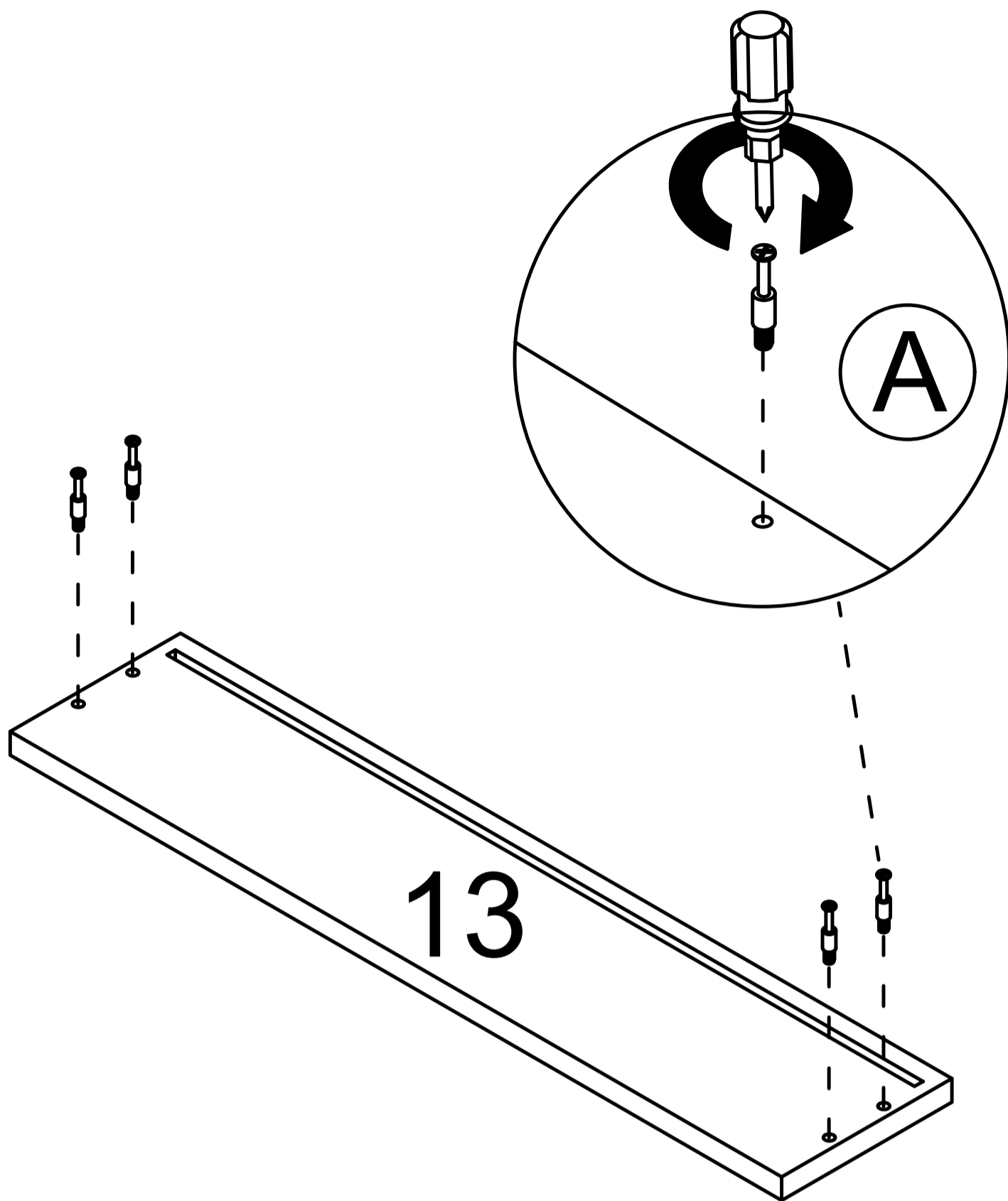
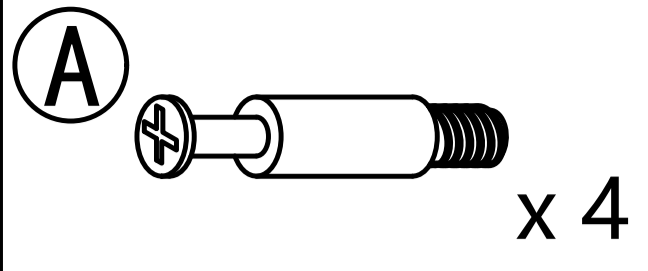


Step 7

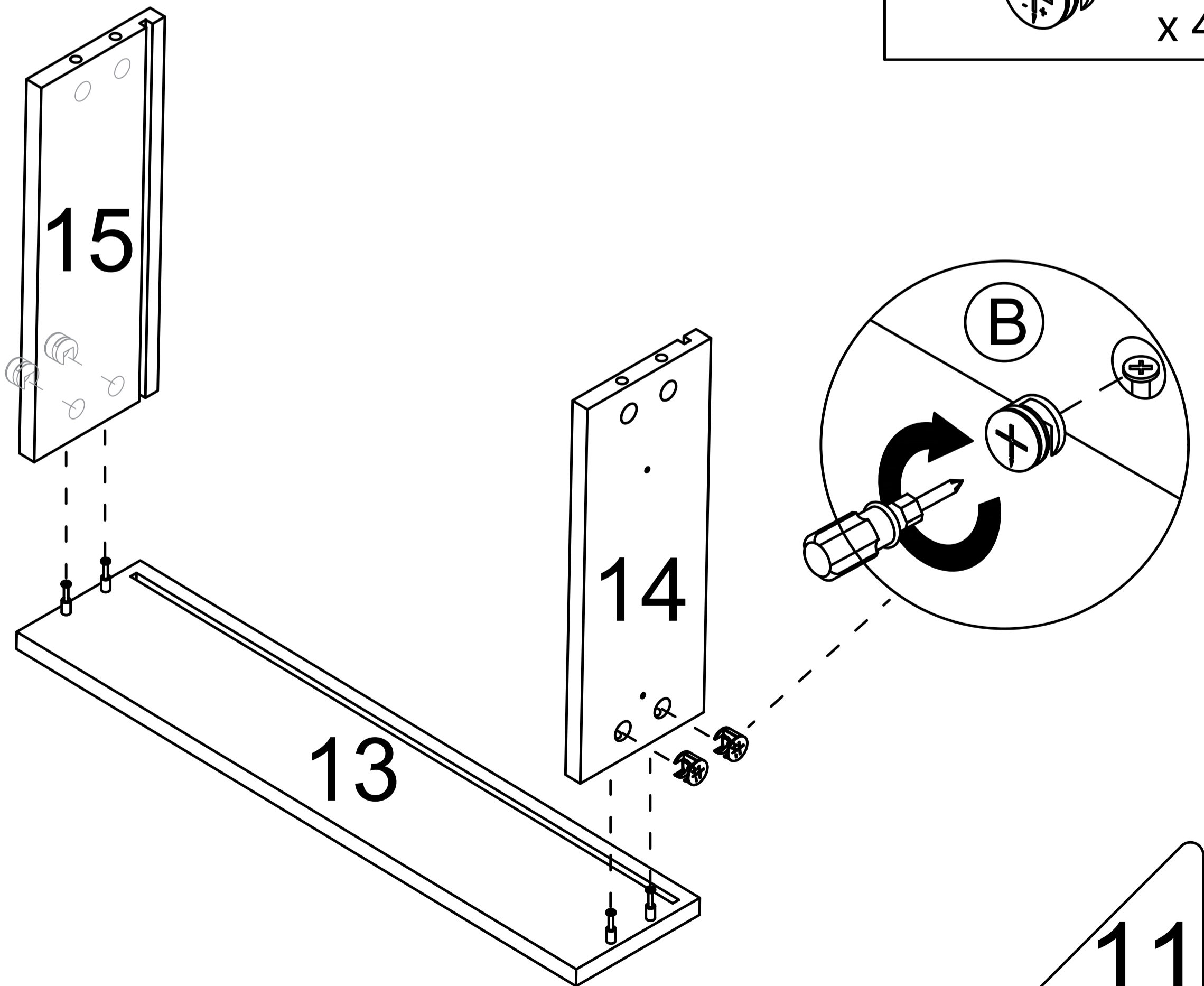
- (F)  x 2
-  x 4



Step 8

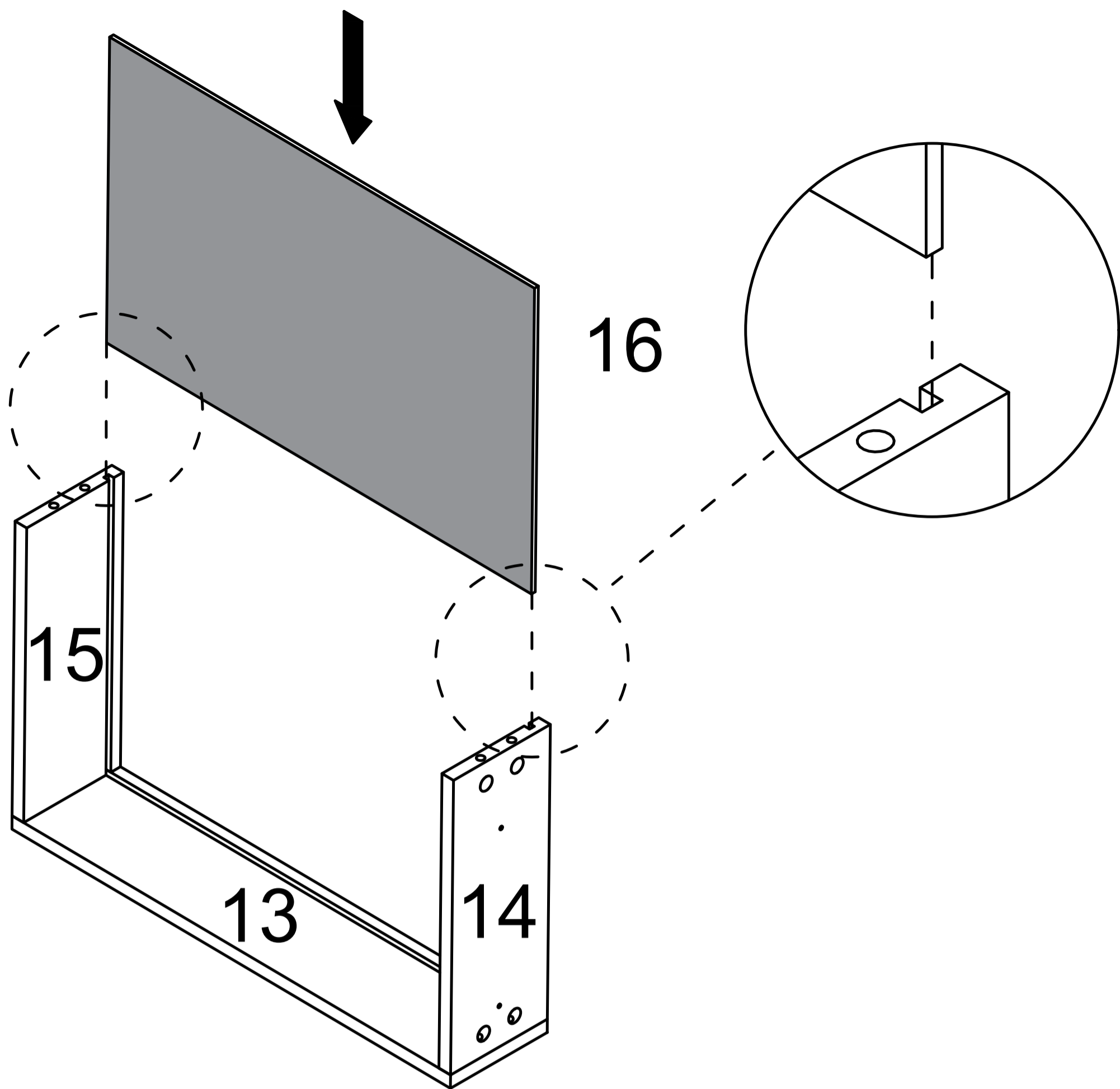


Step 9

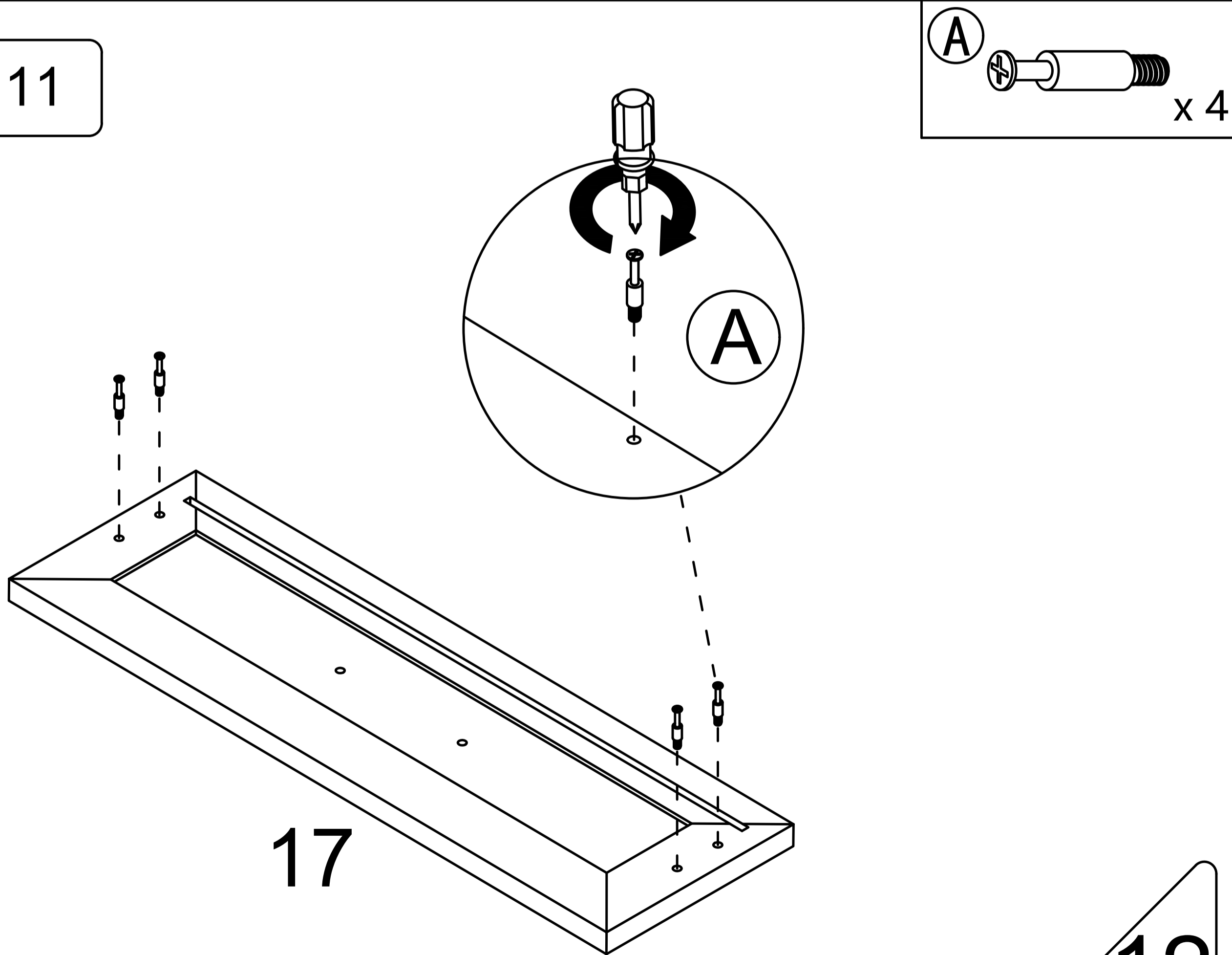


SY

Step 10



Step 11

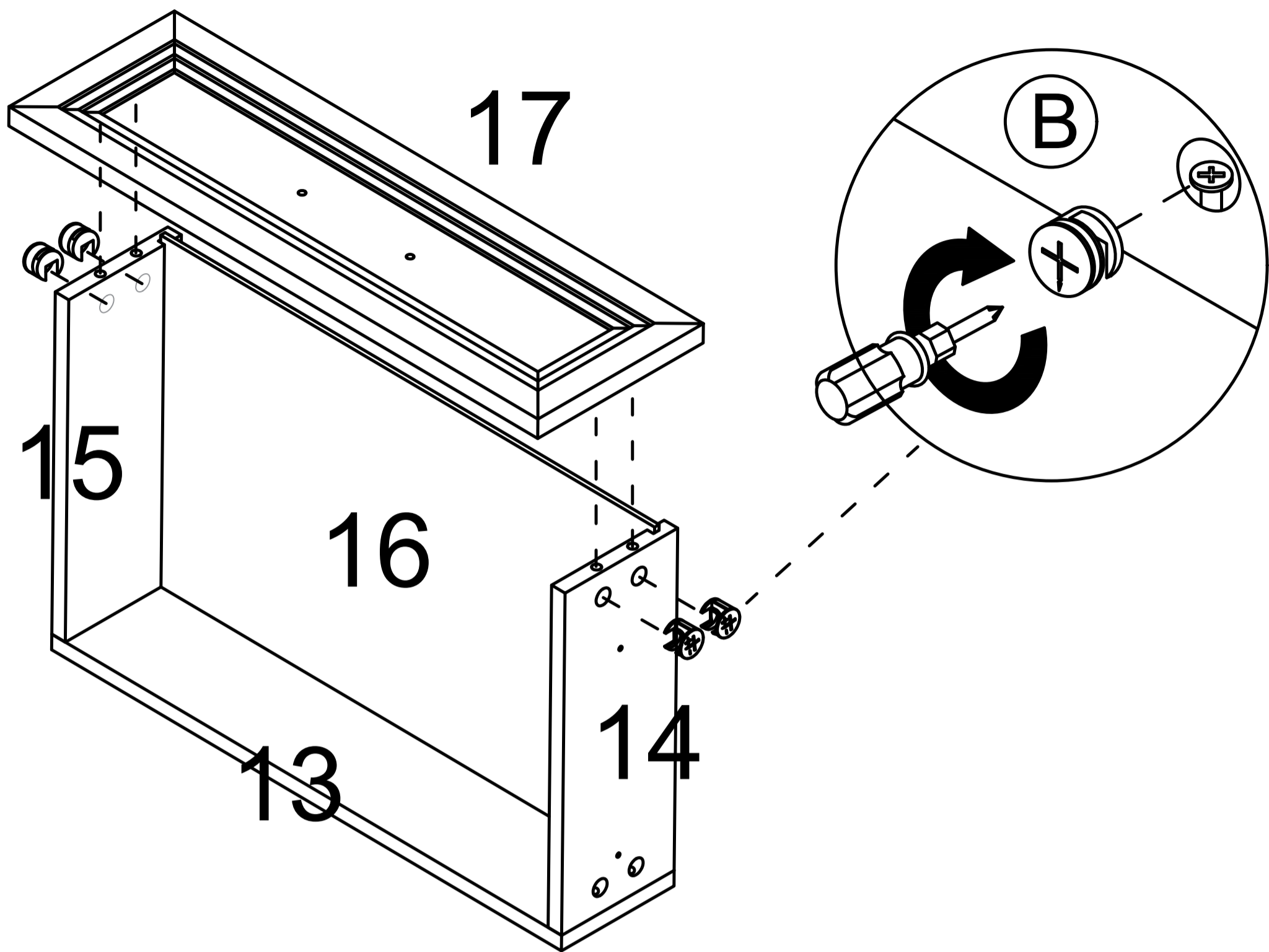


SY



12

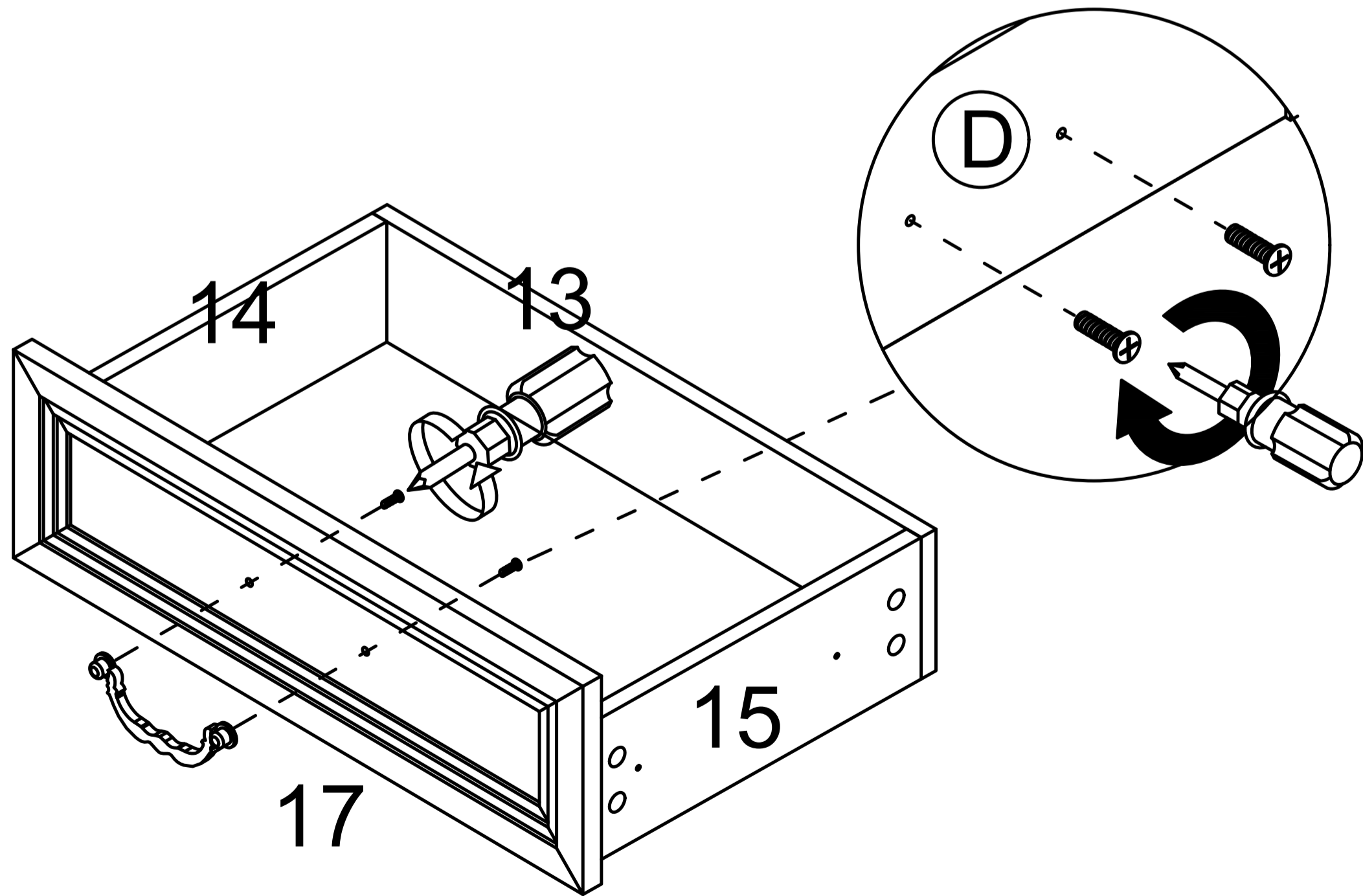
Step 12

- (B)  x 4



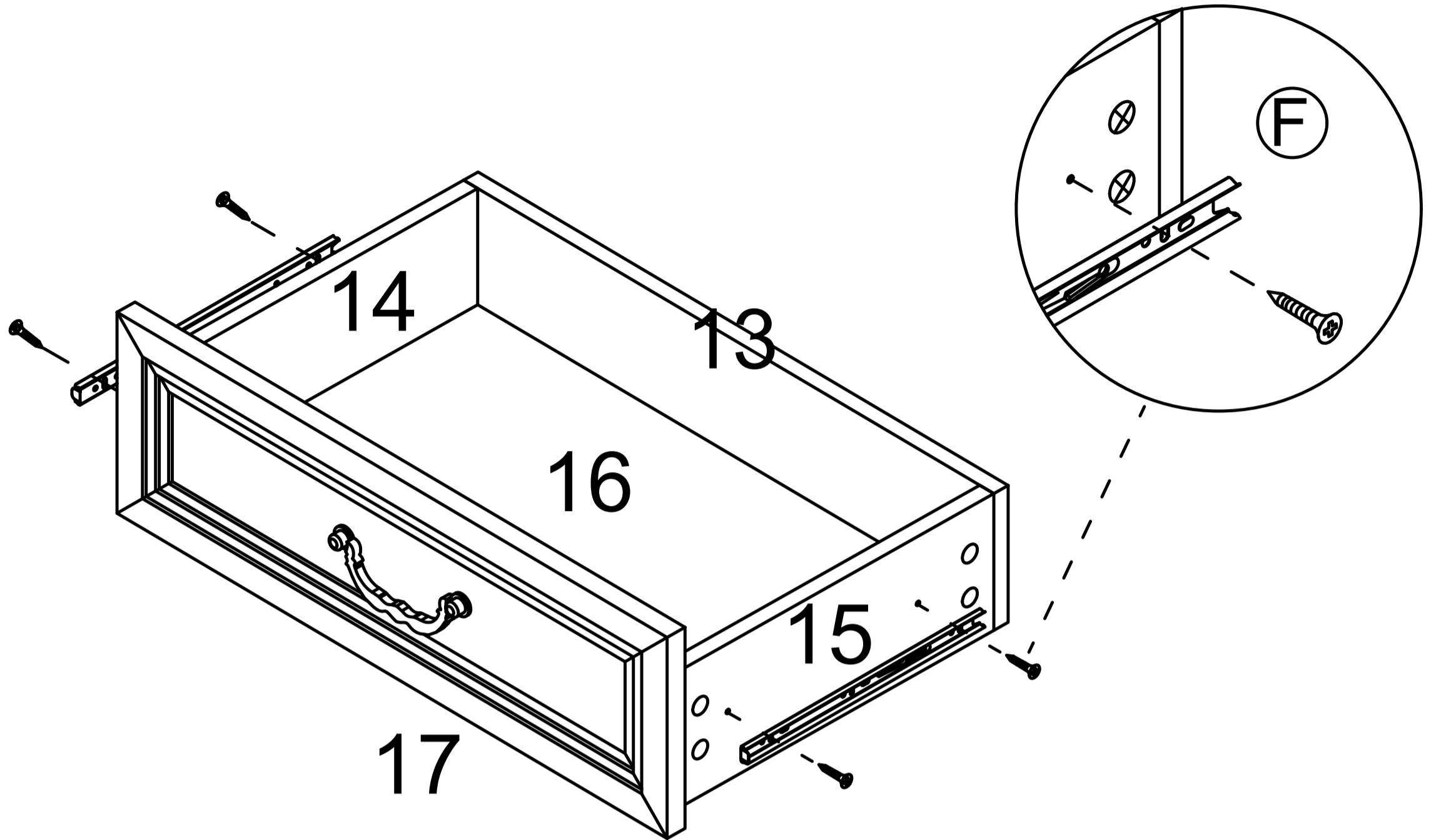
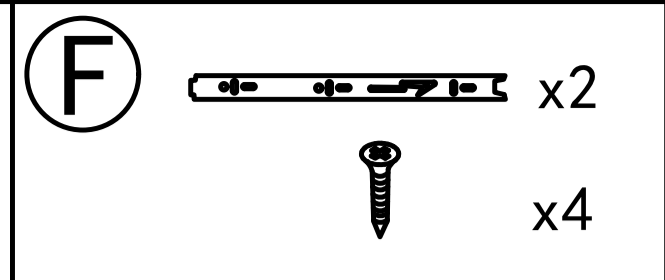
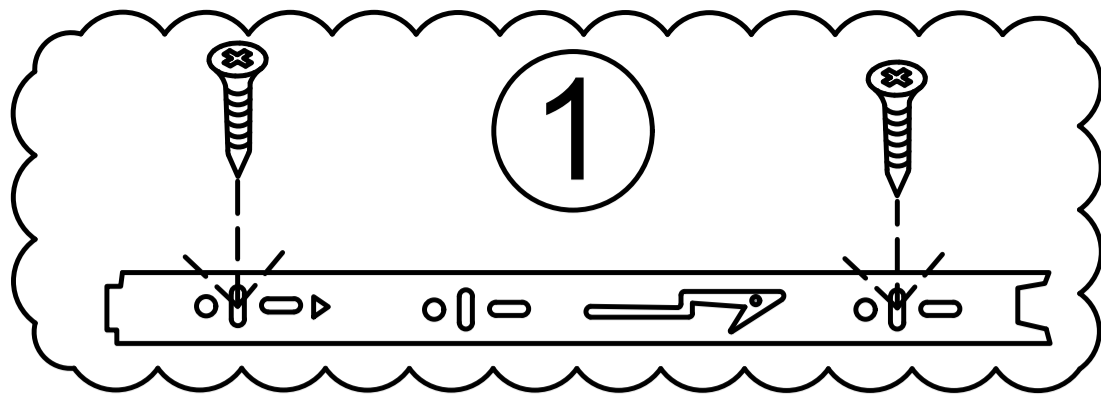
Step 13

- (D)  x 1
-  x 2

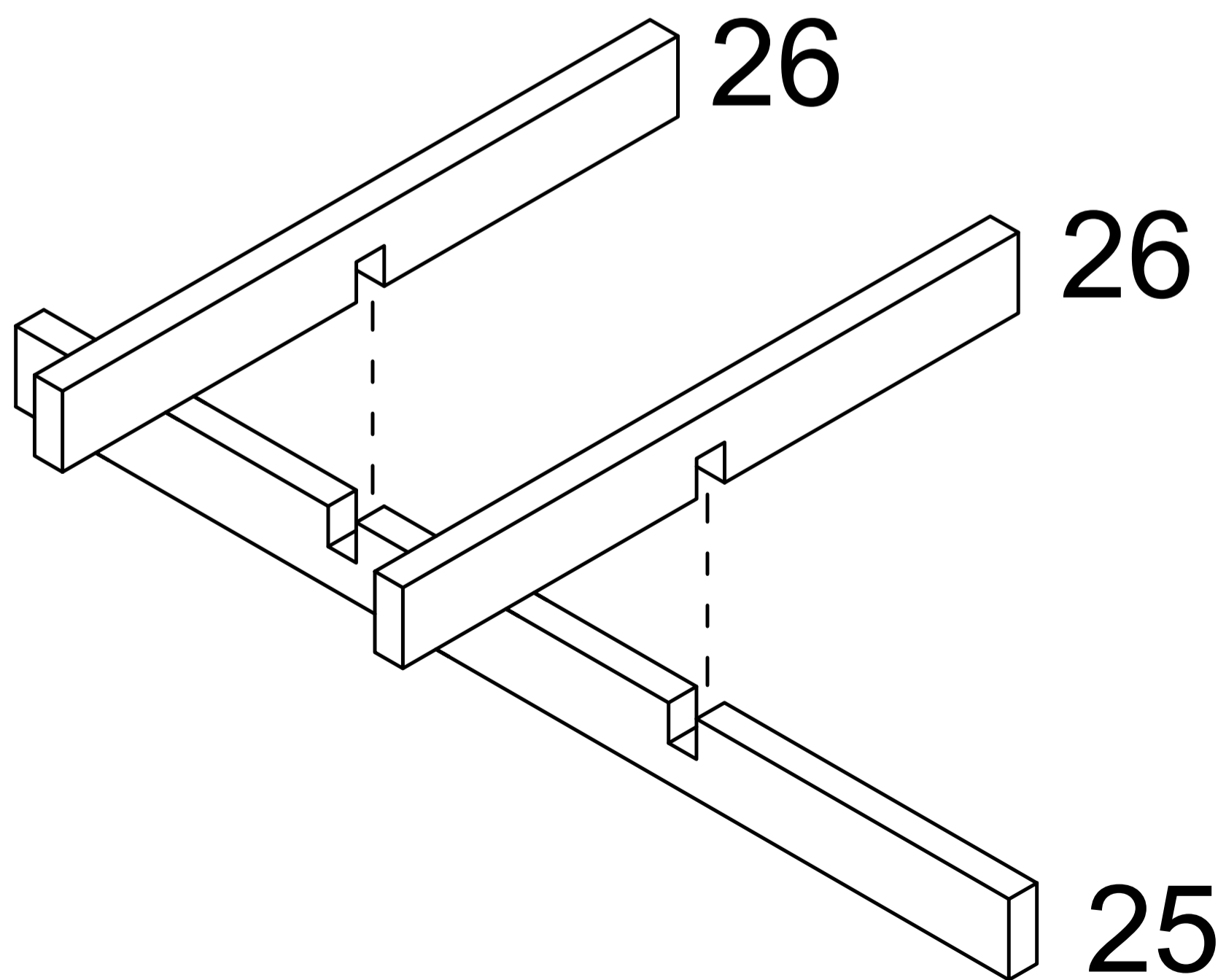


13

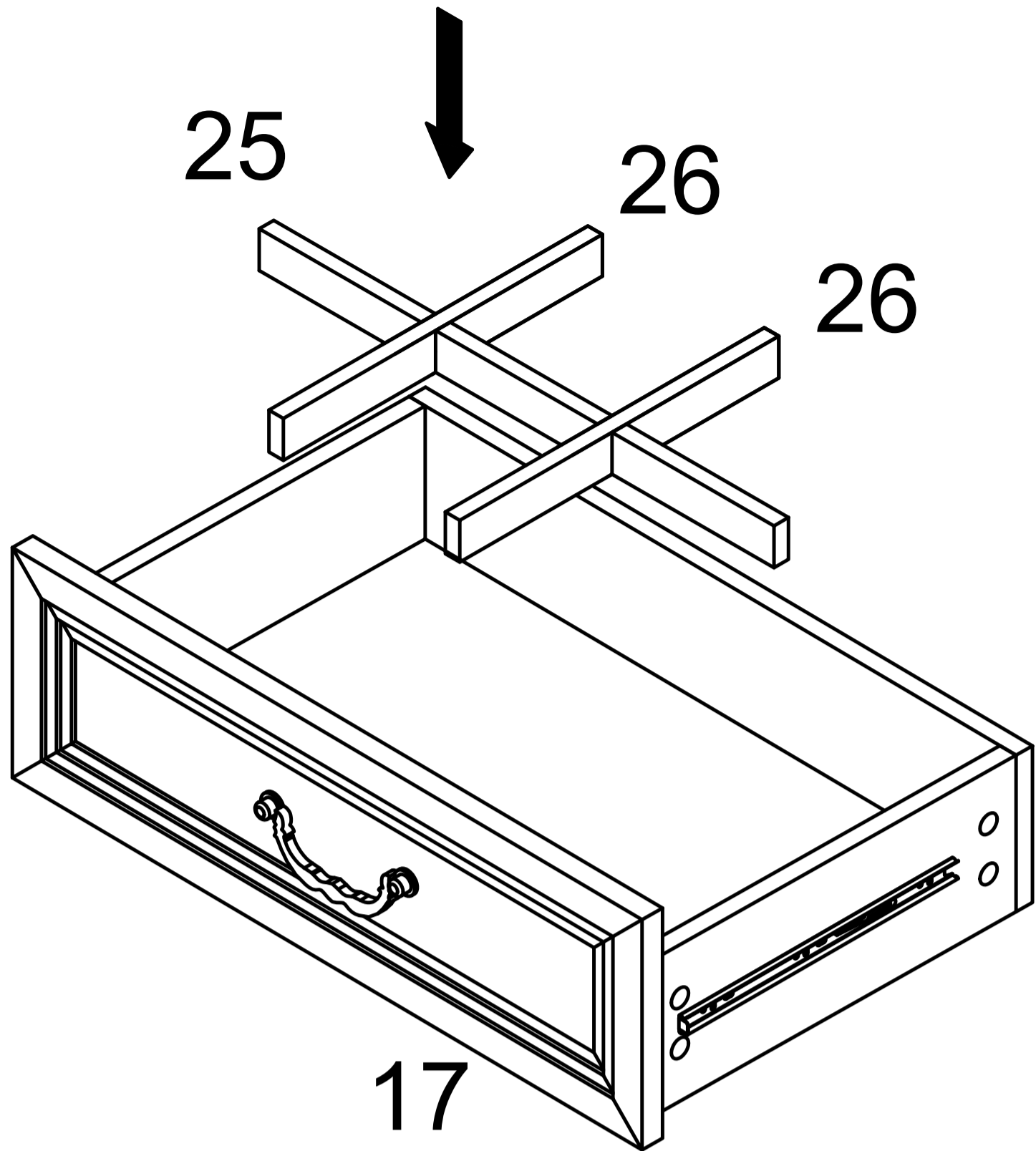
Step 14



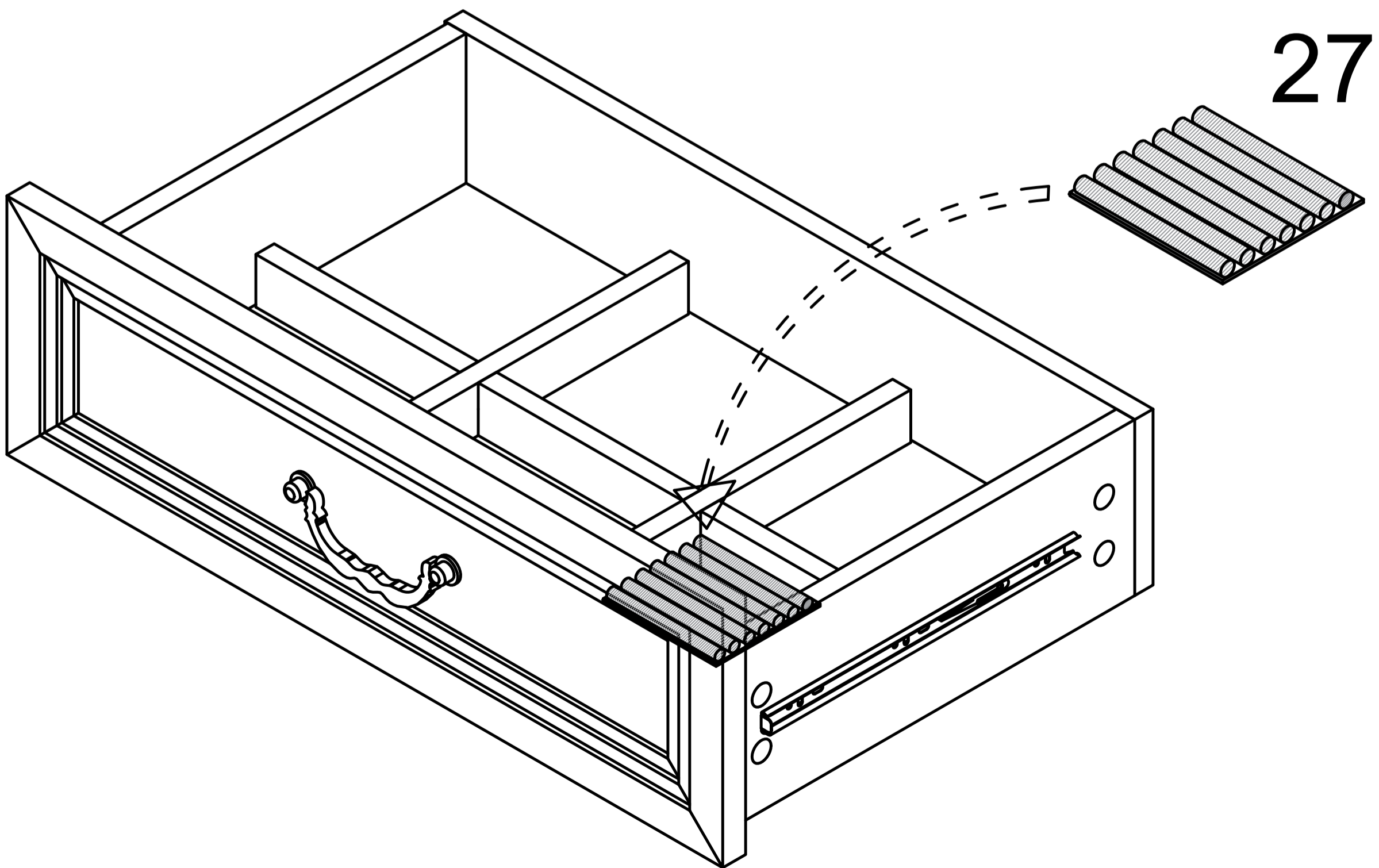
Step 15



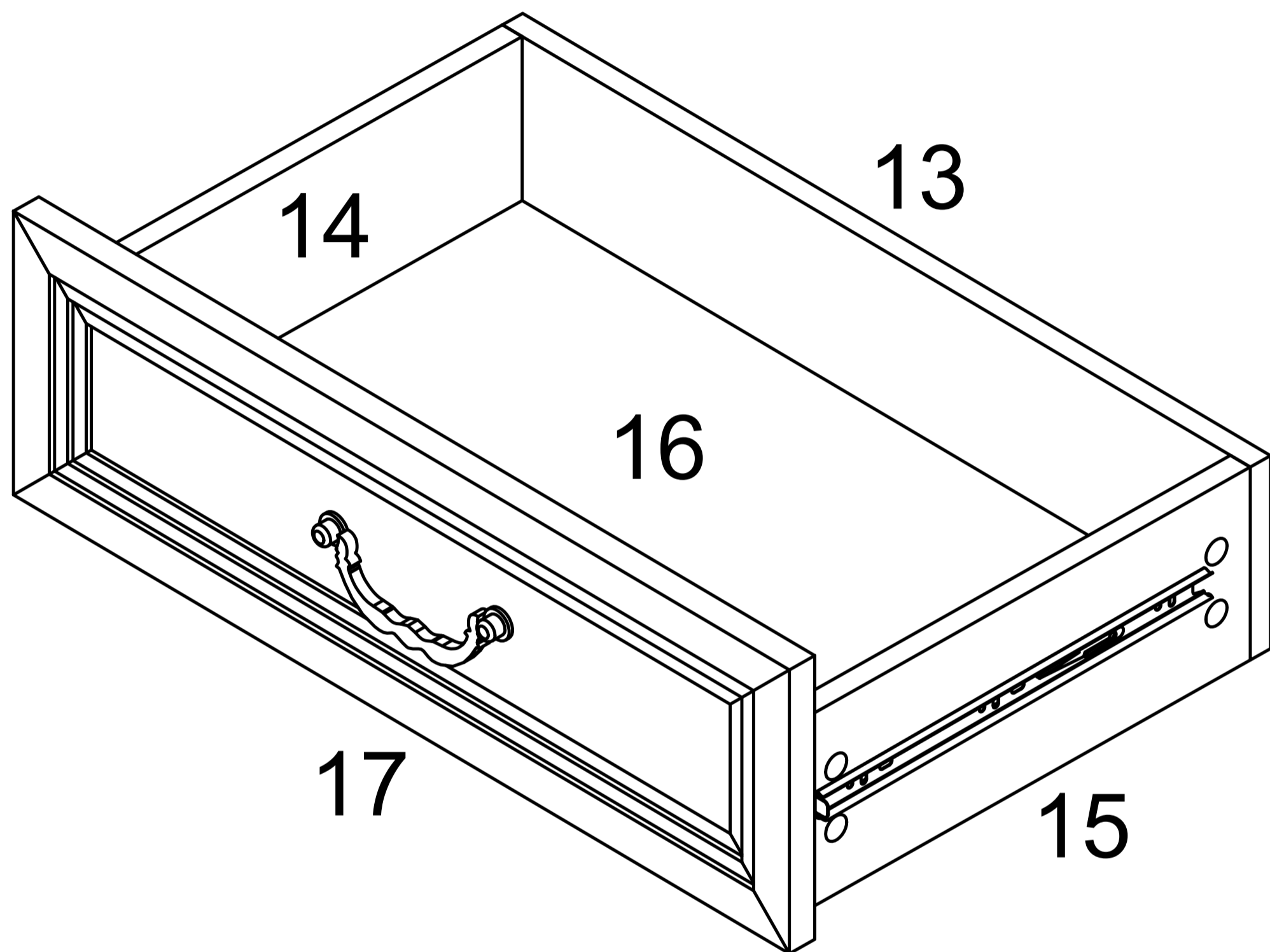
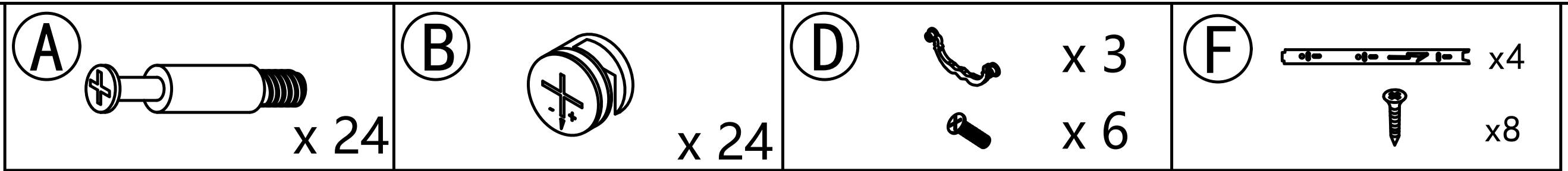
Step 16



Step 17

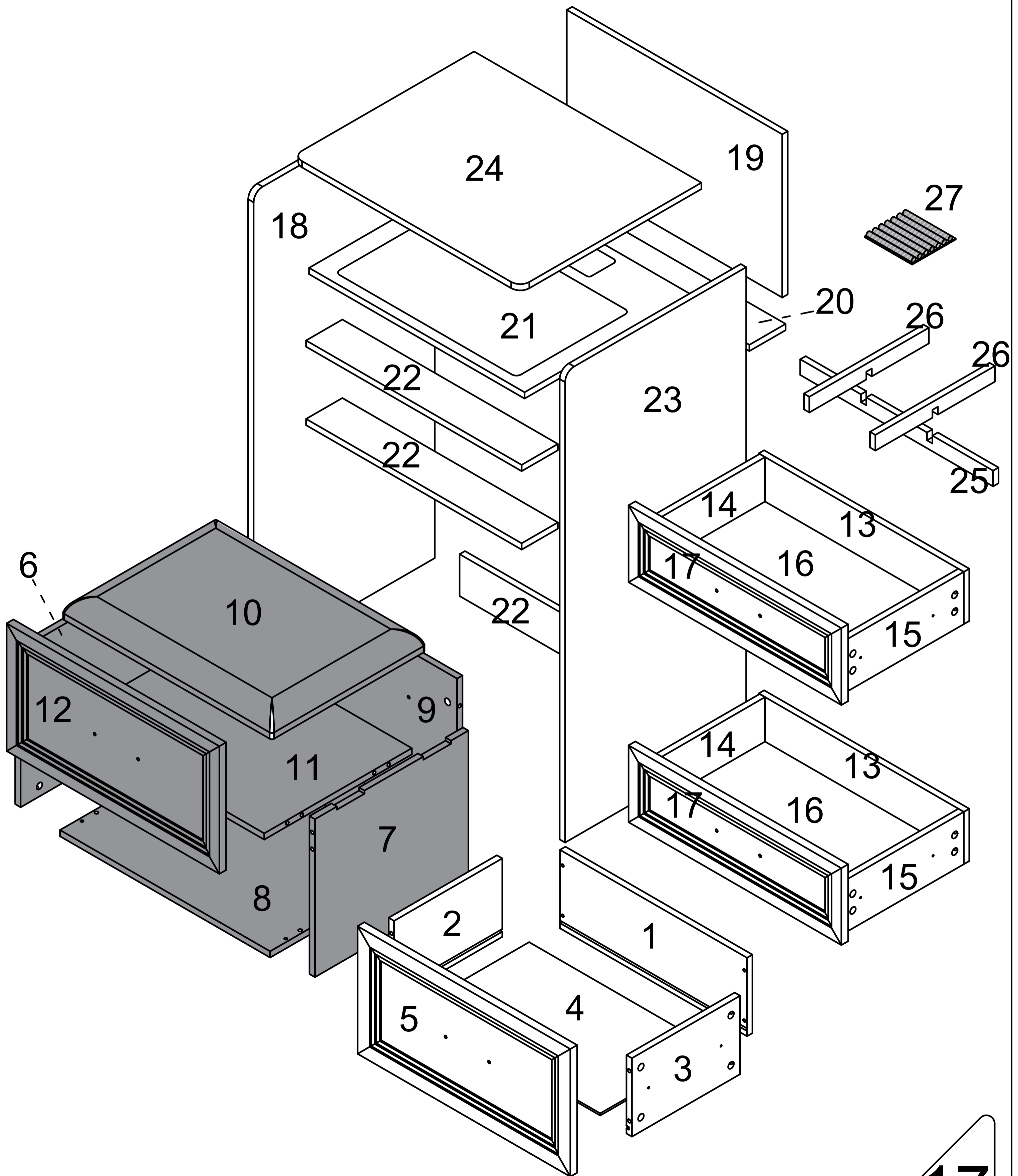


SY

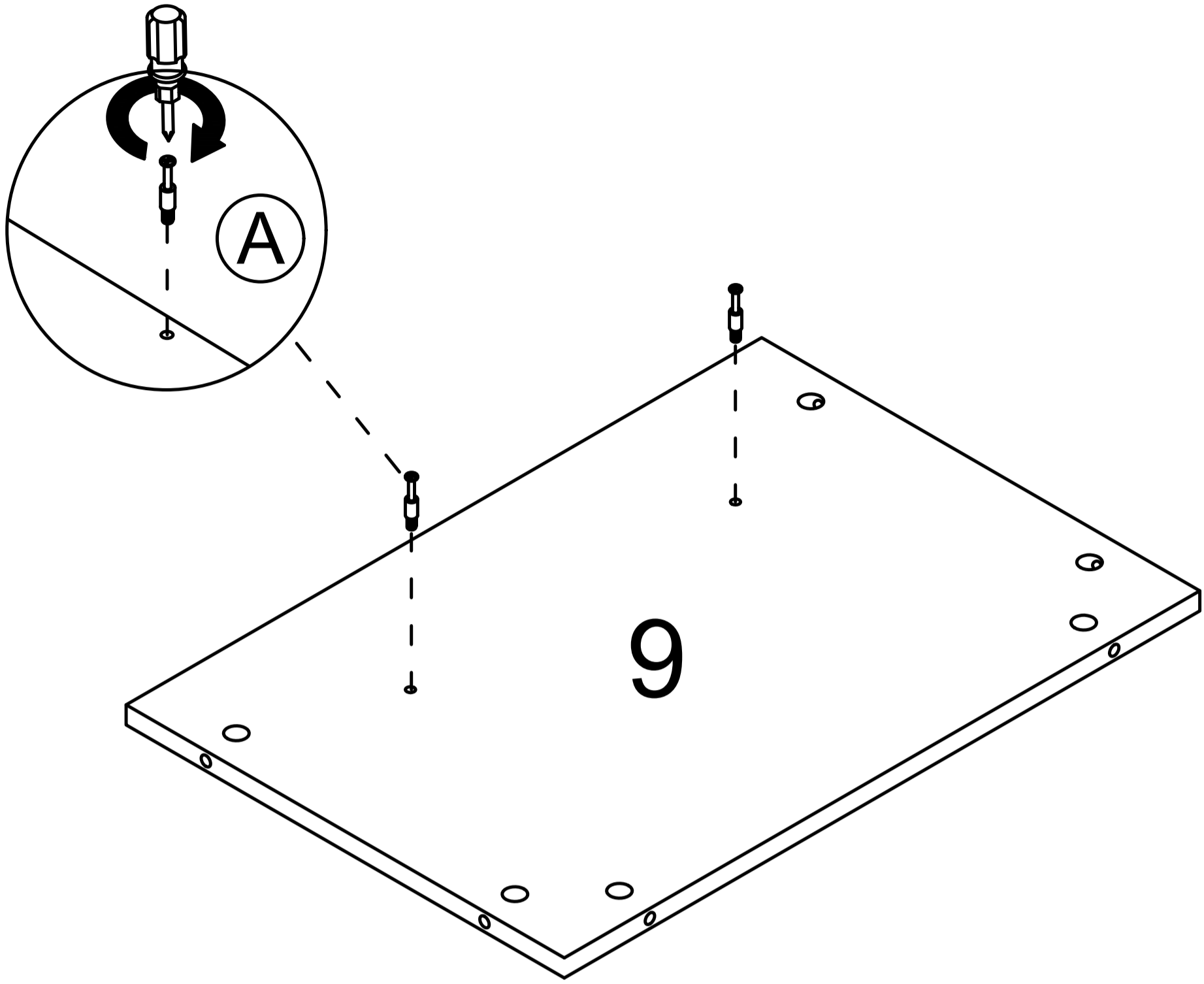
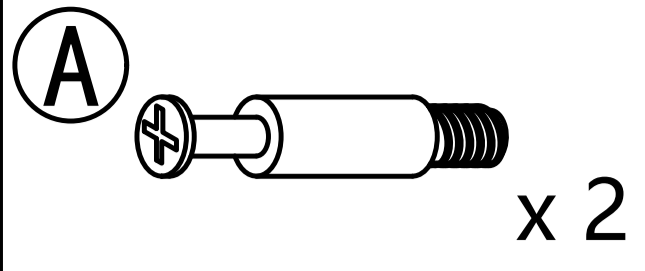


For another drawer installation method, repeat steps eight to fourteen. The other drawer board 16 does not have flannel

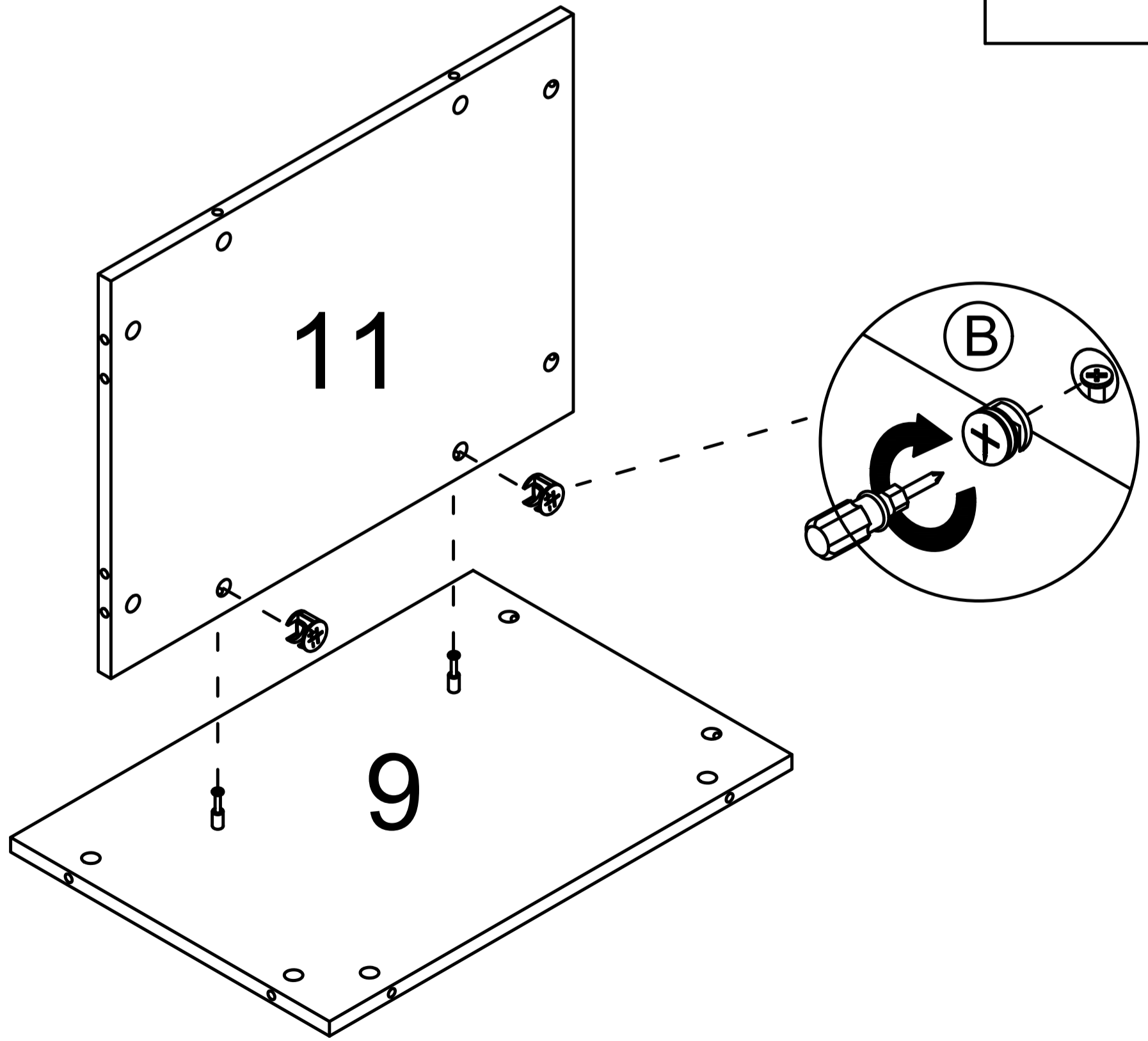
# Product structure decomposition



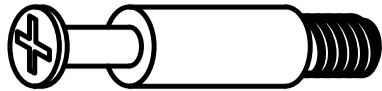

Step 18

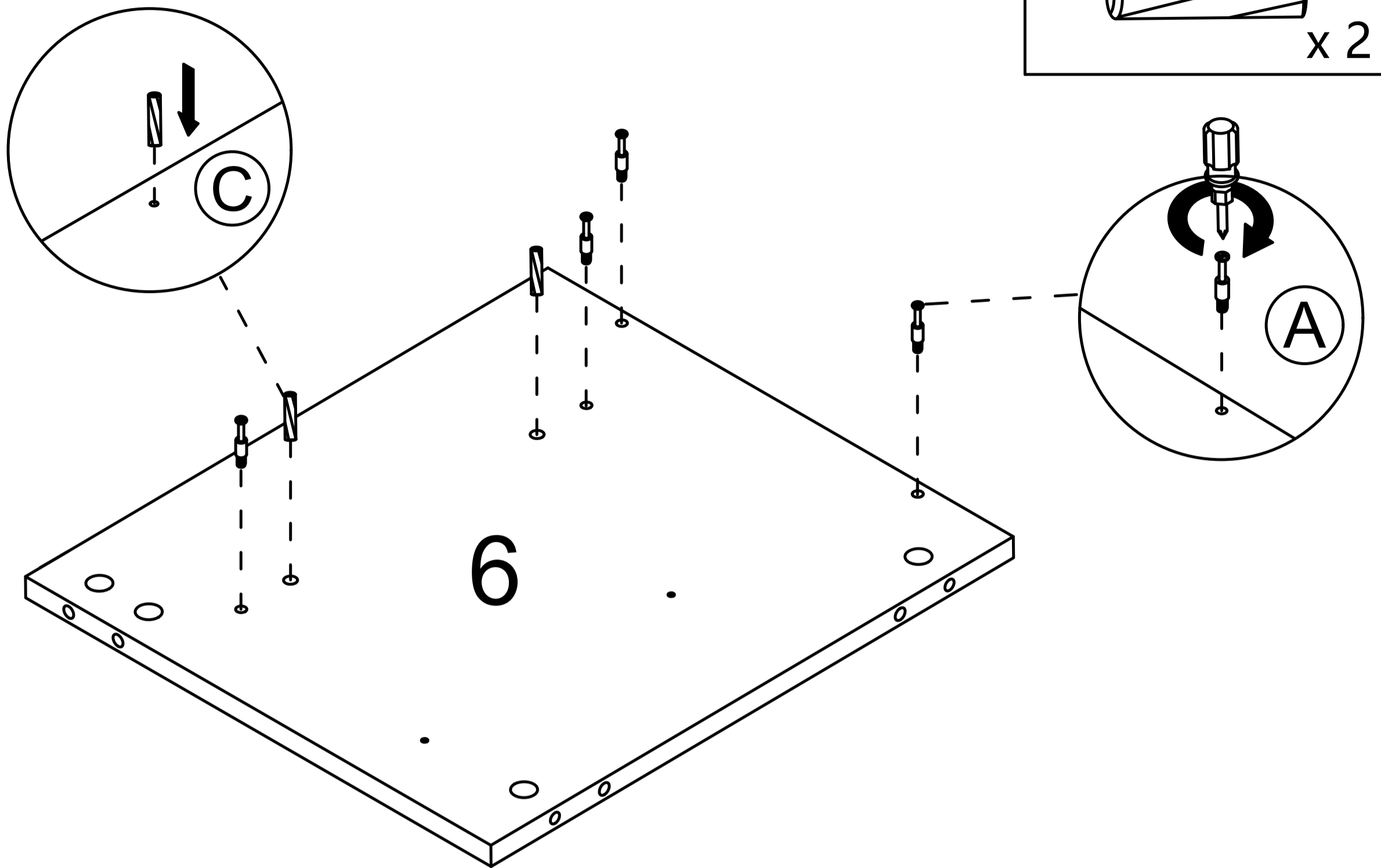


Step 19





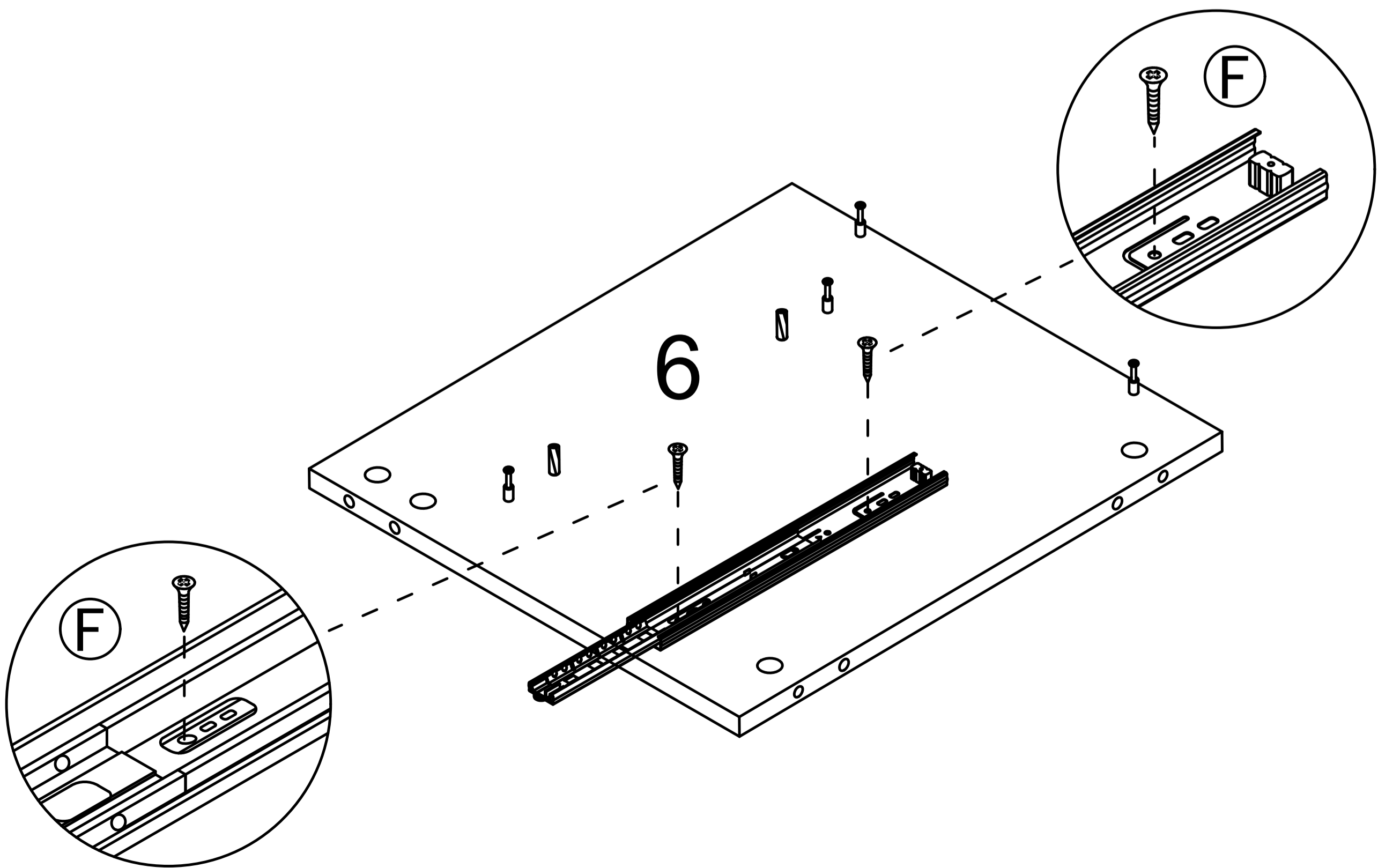
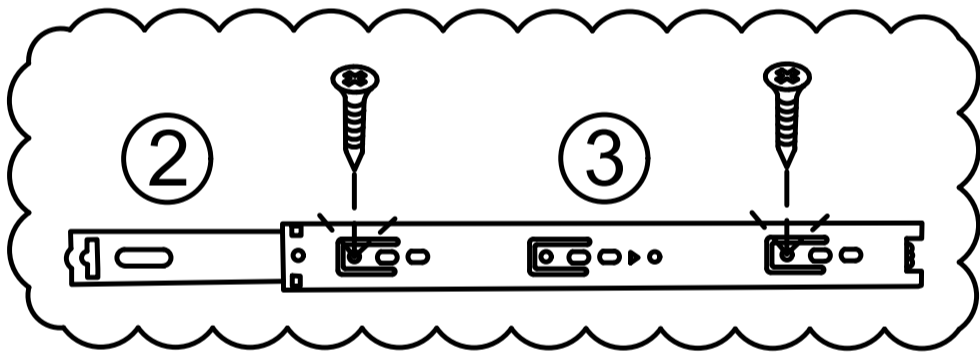
Step 20

- (A)  x 4
- (C)  x 2

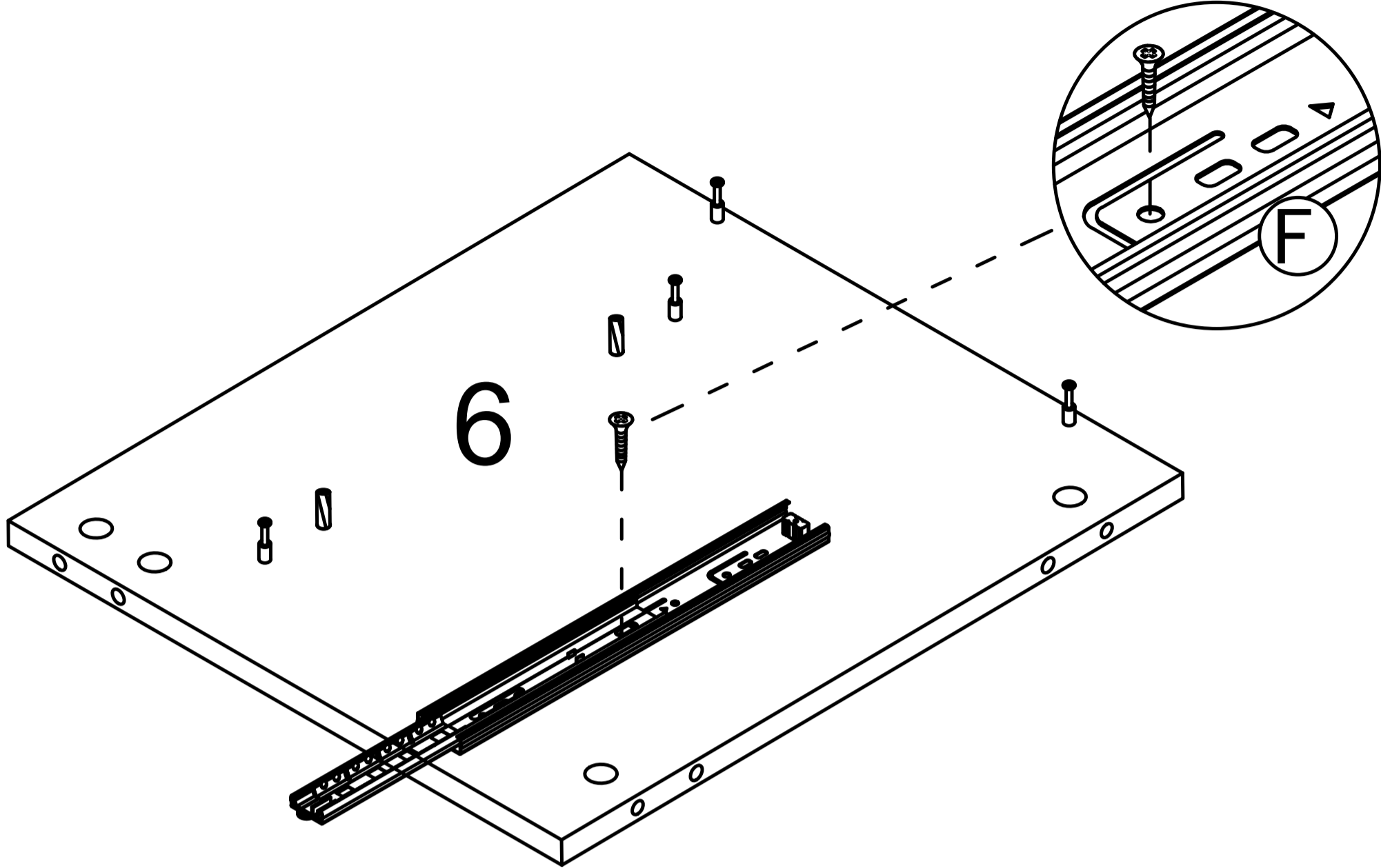
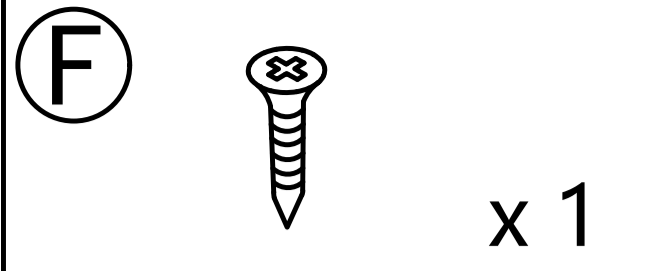
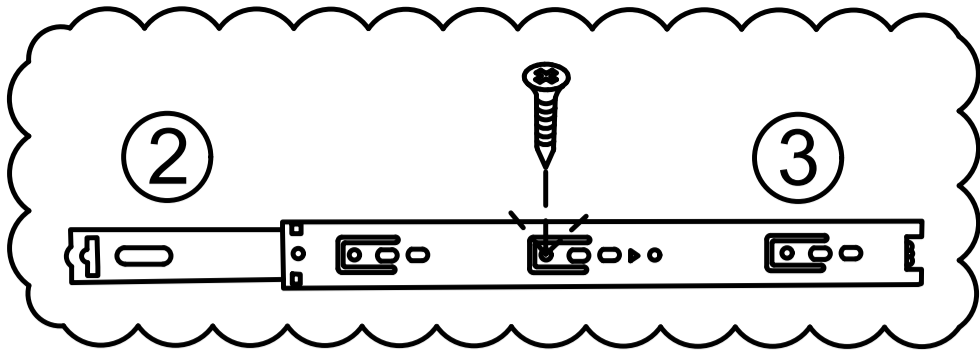


Step 21

- (F)  x 2
-  x 2

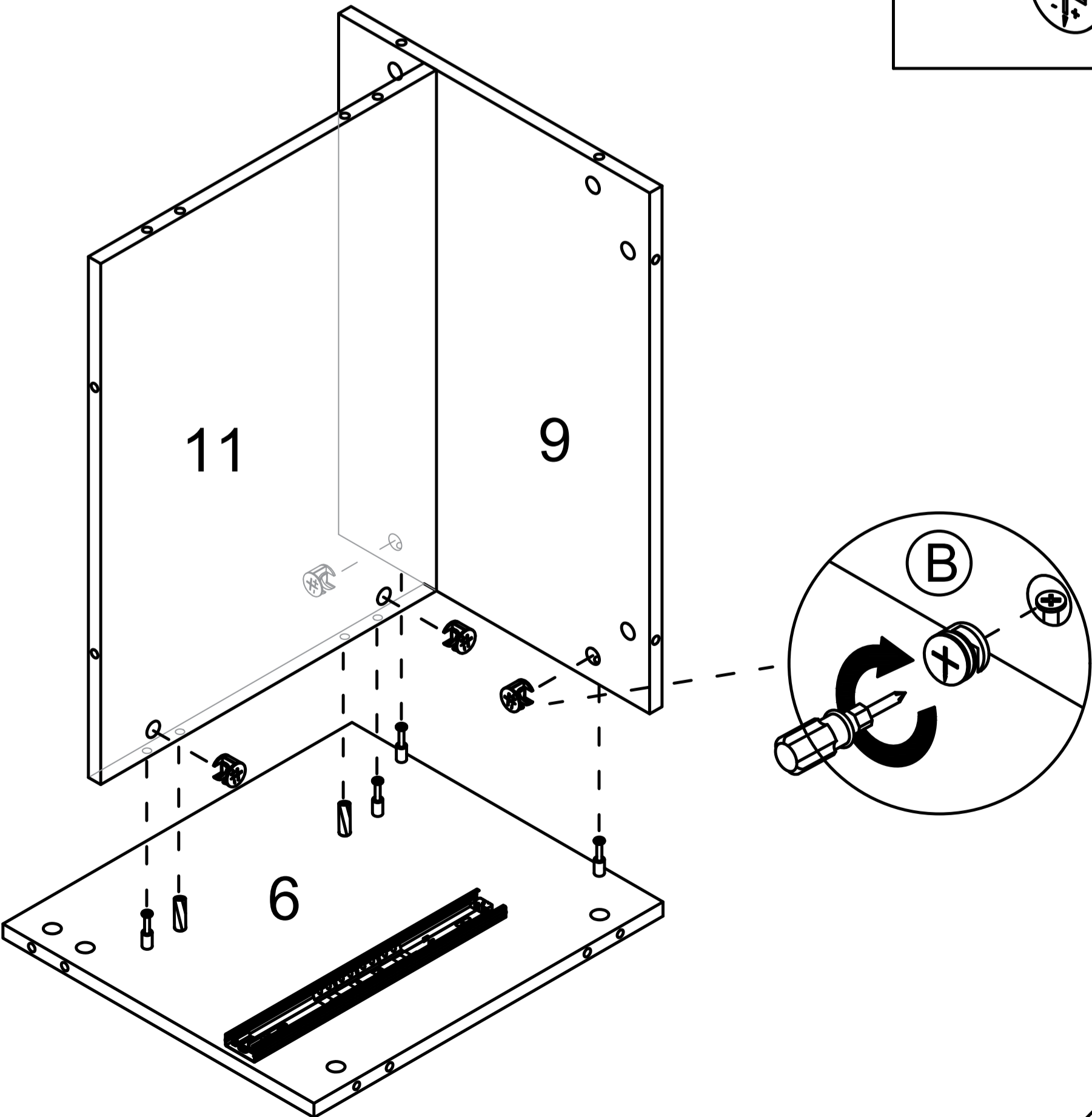


Step 22

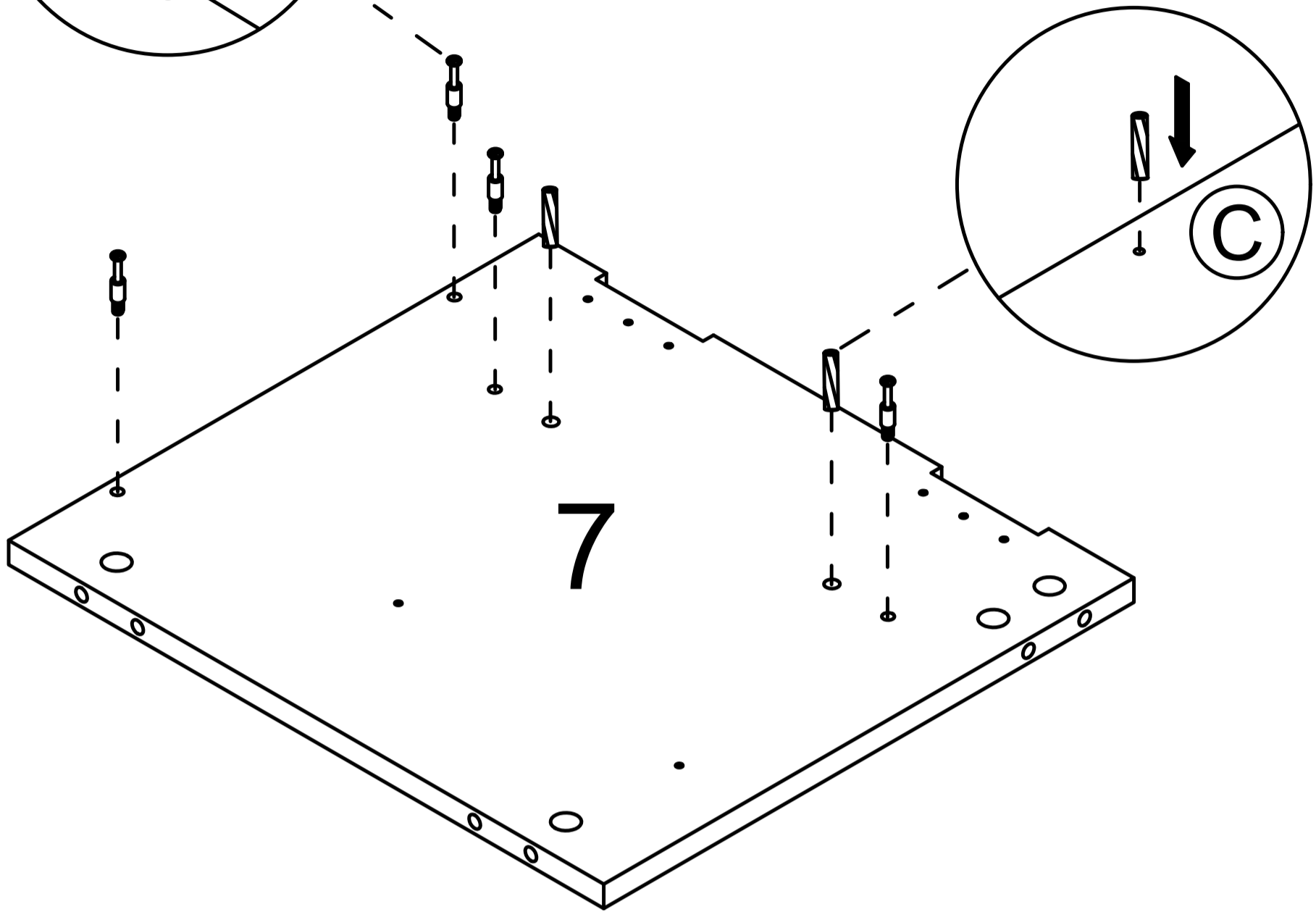
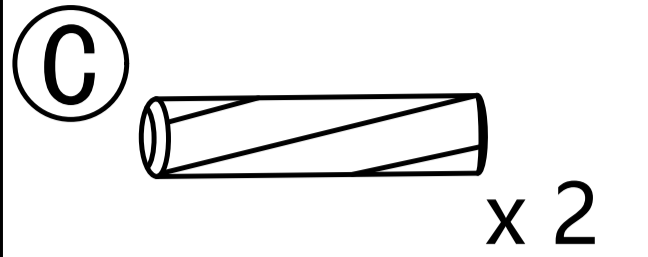
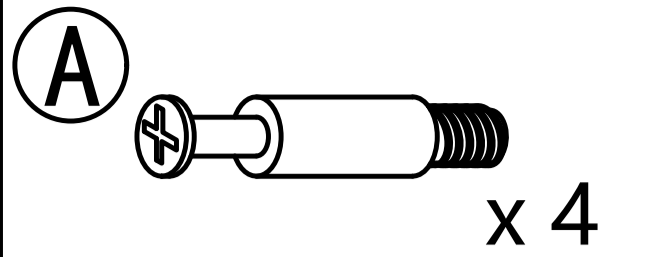
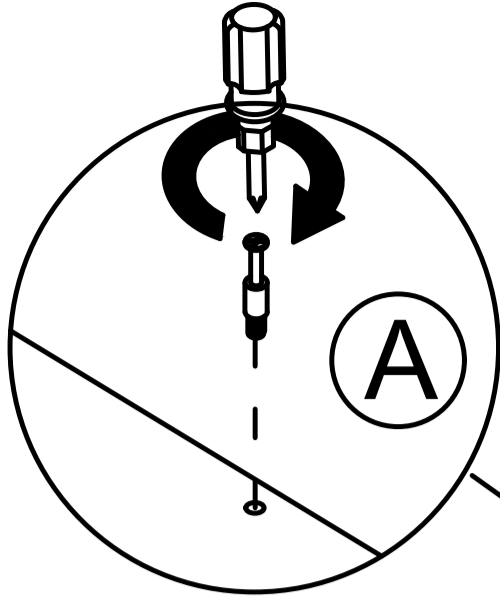


This hole is a rail fixing hole and can be installed as needed

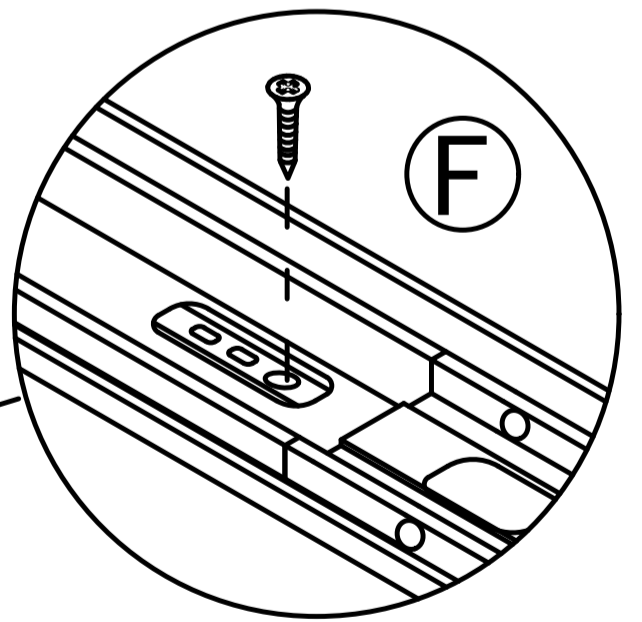
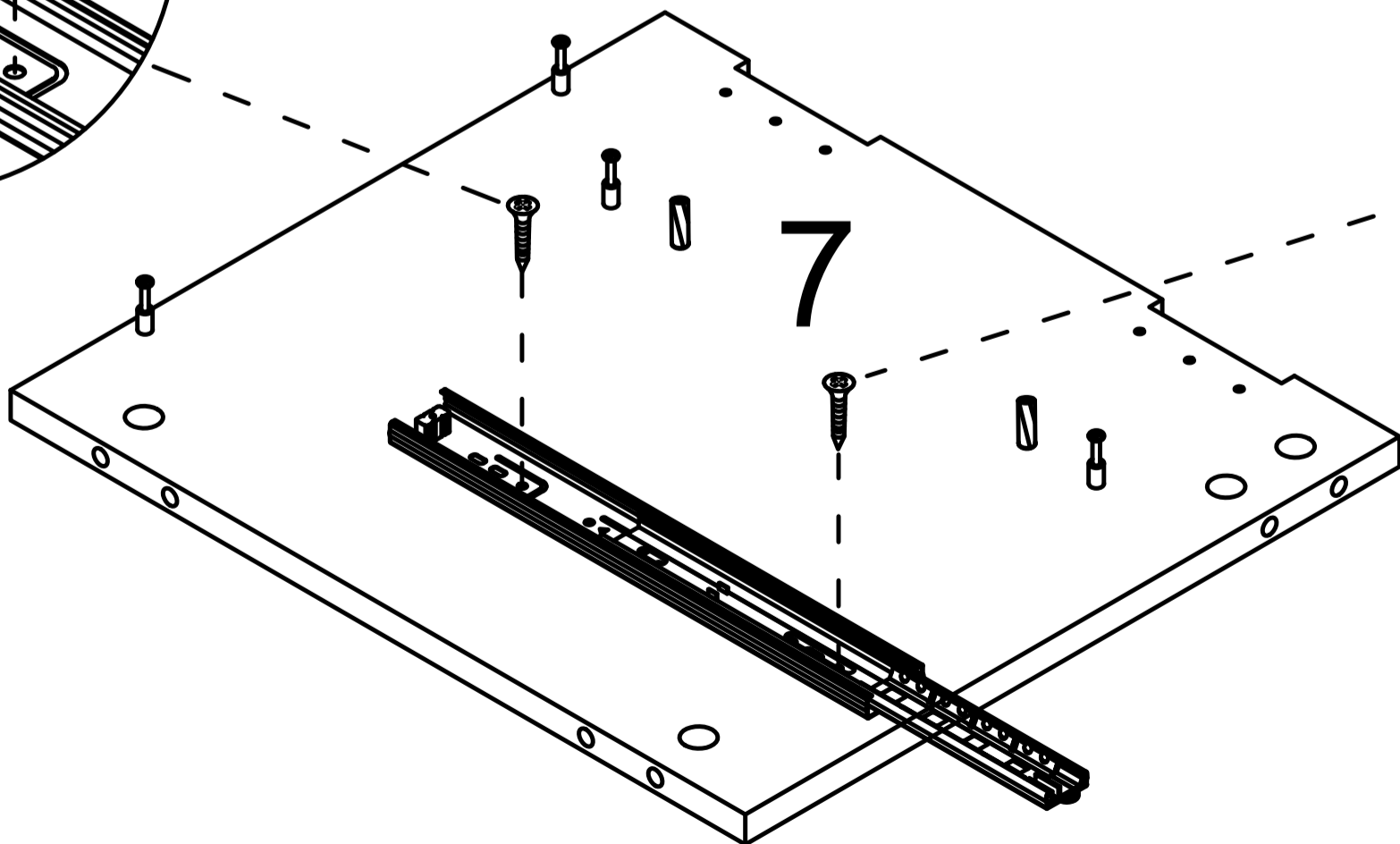
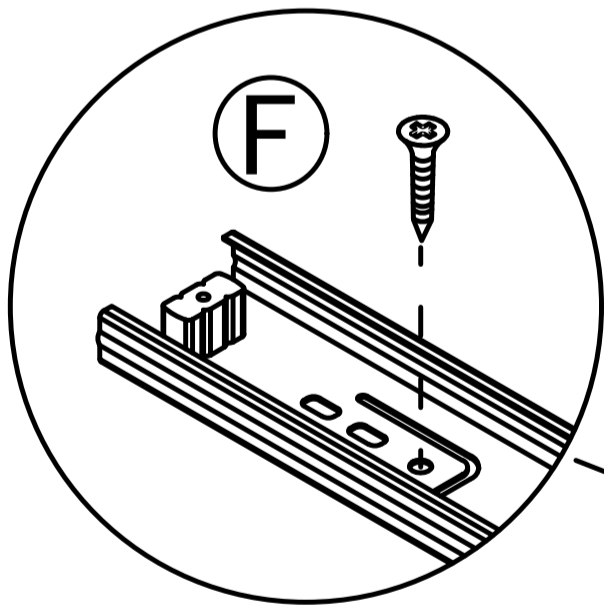
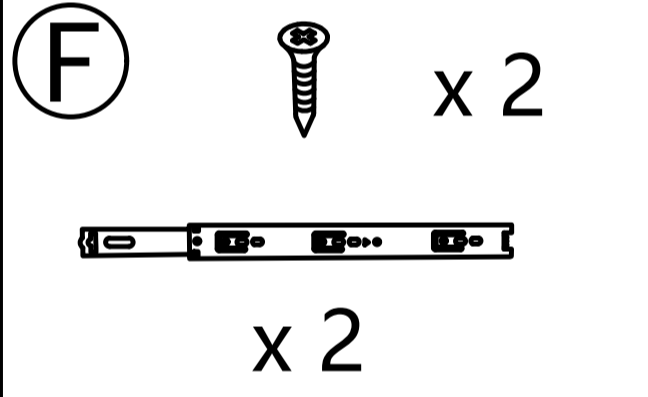
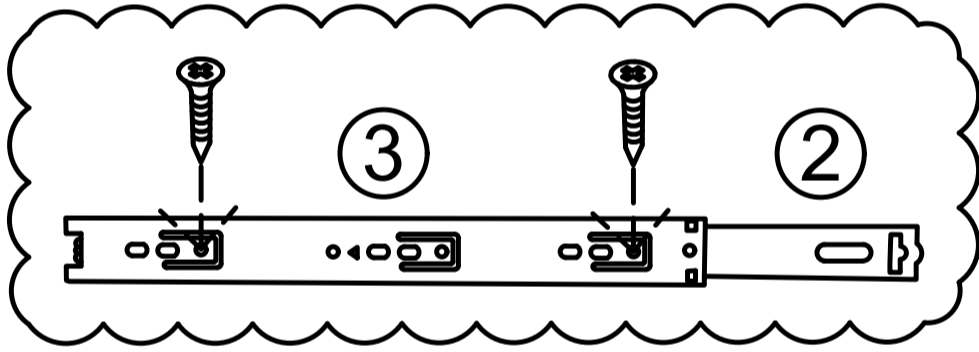
Step 23



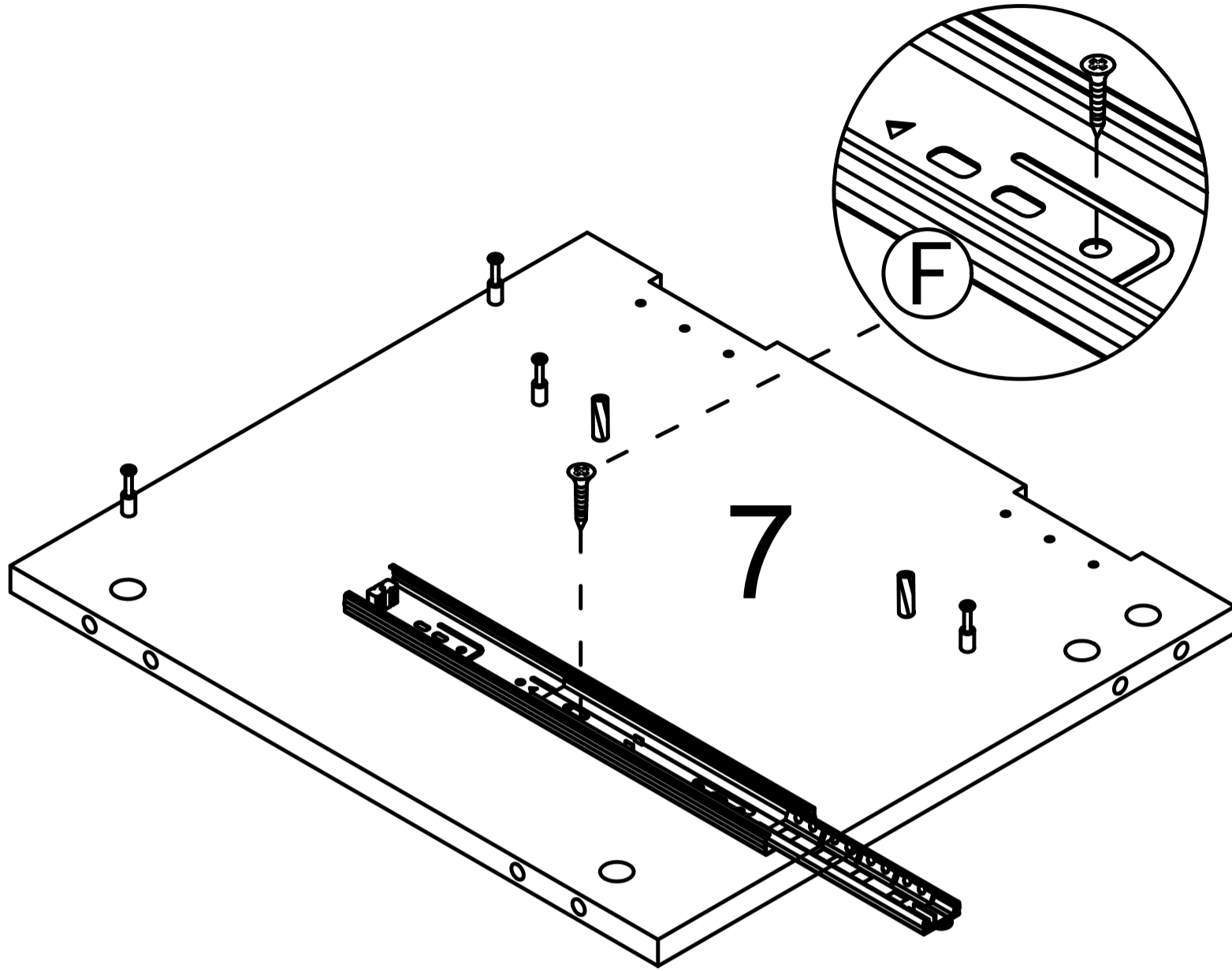
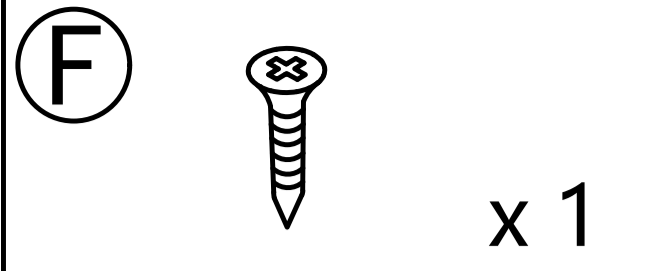
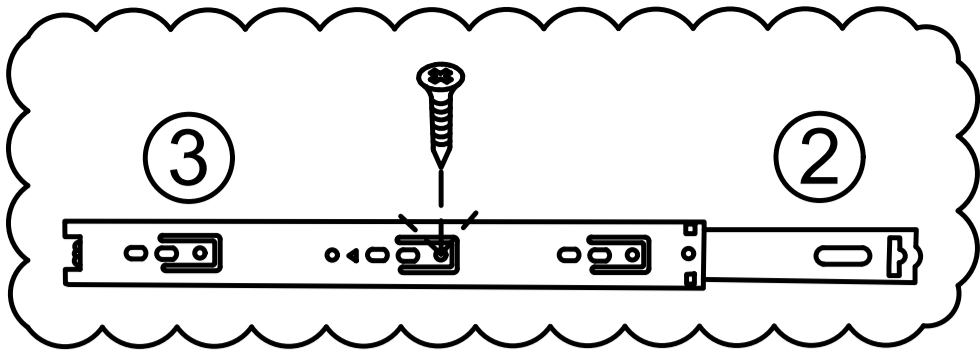
Step 24



Step 25

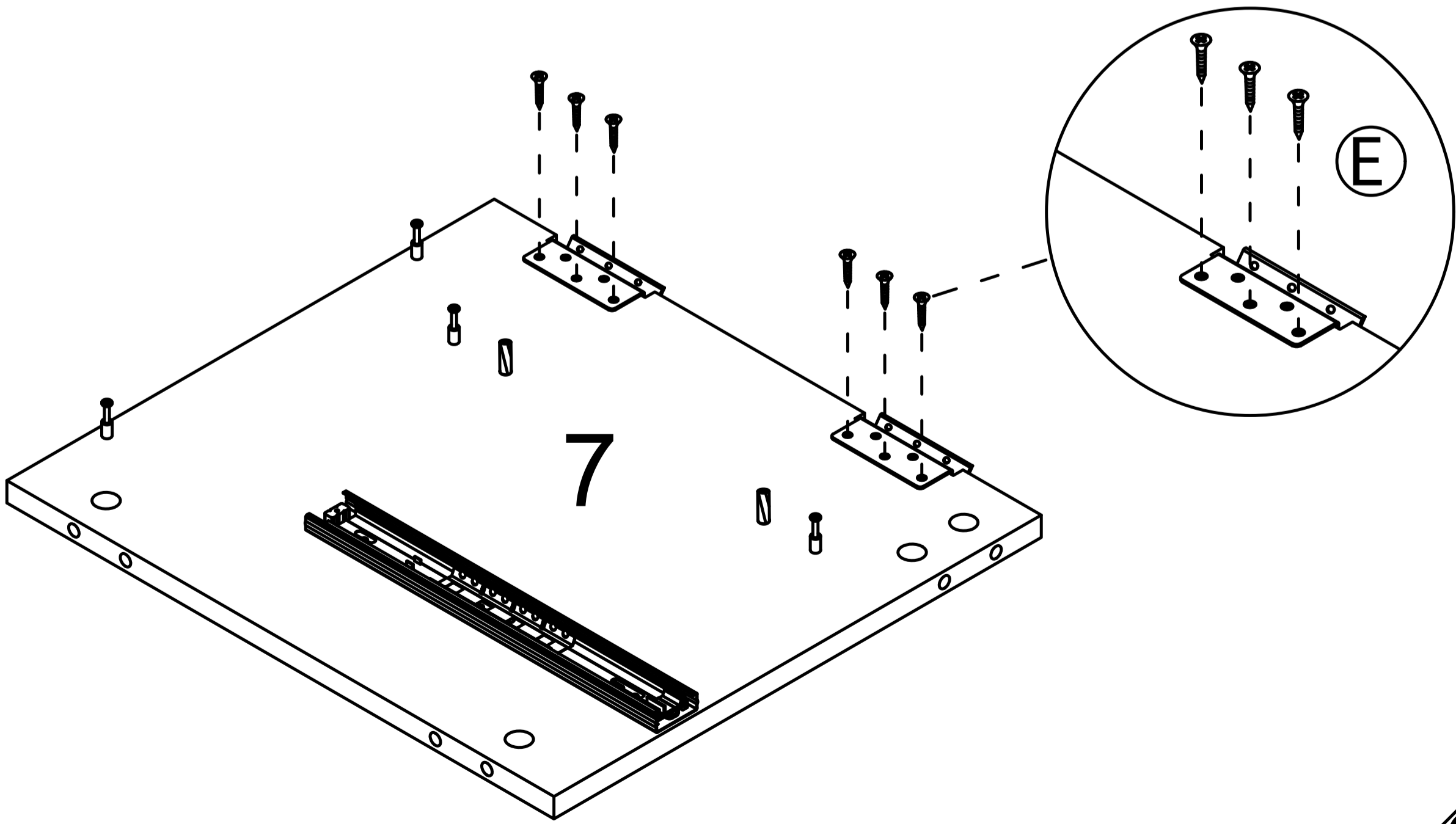
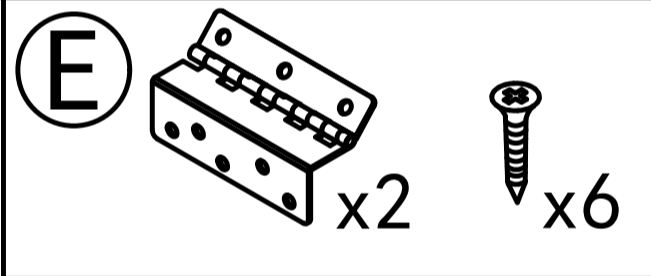
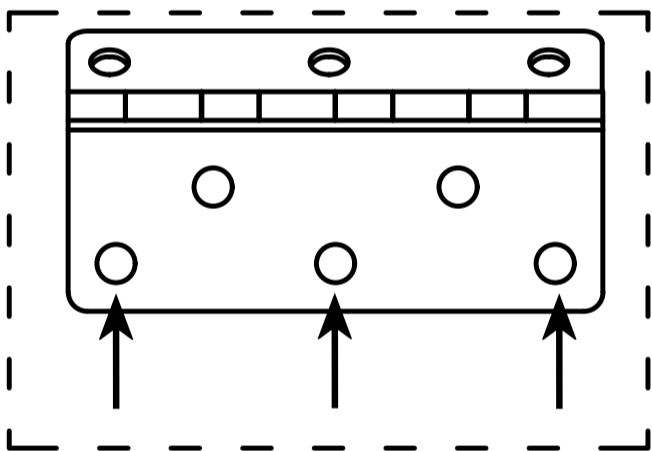


Step 26

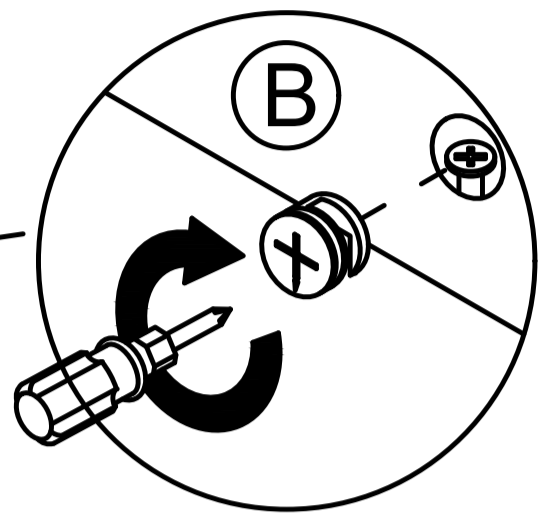
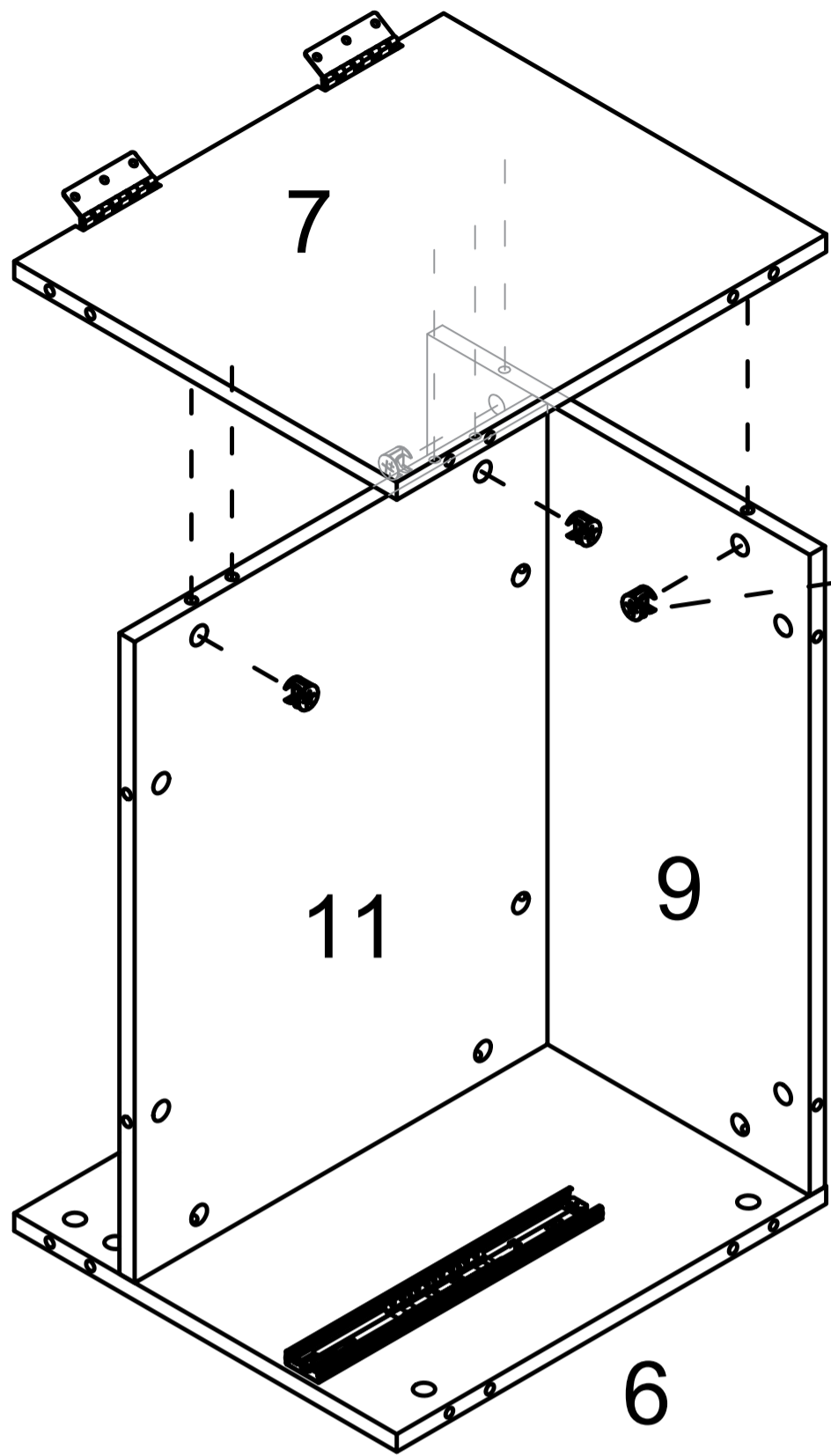


This hole is a rail fixing hole and can be installed as needed

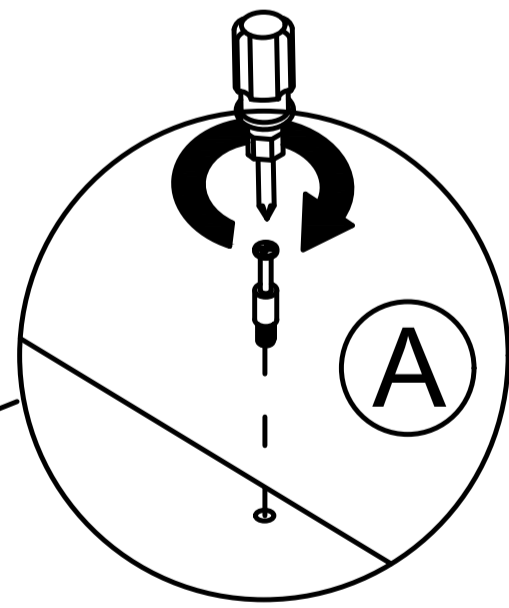
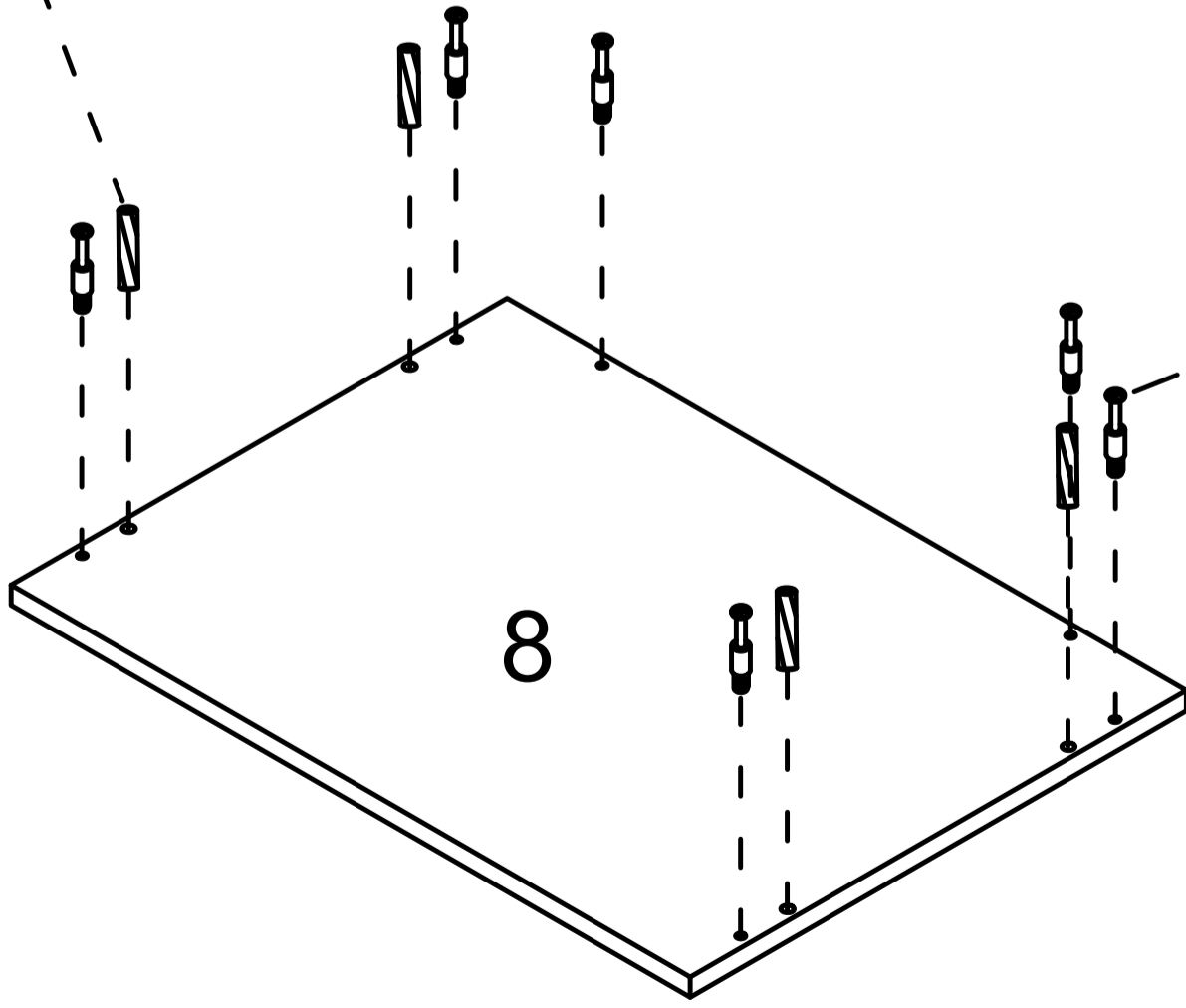
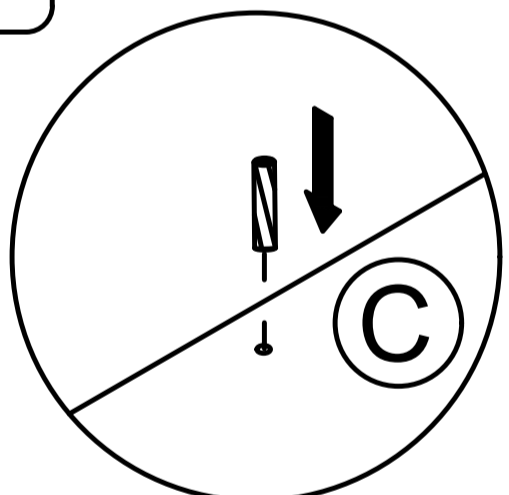
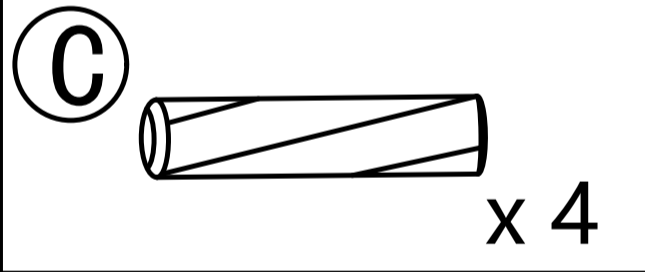
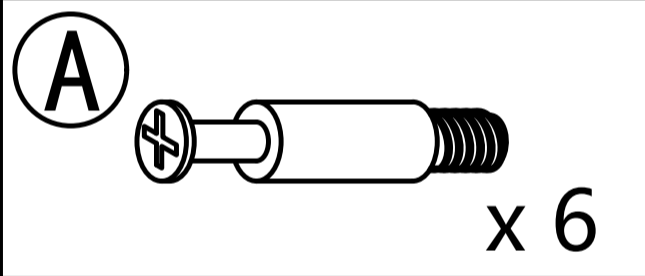
Step 27



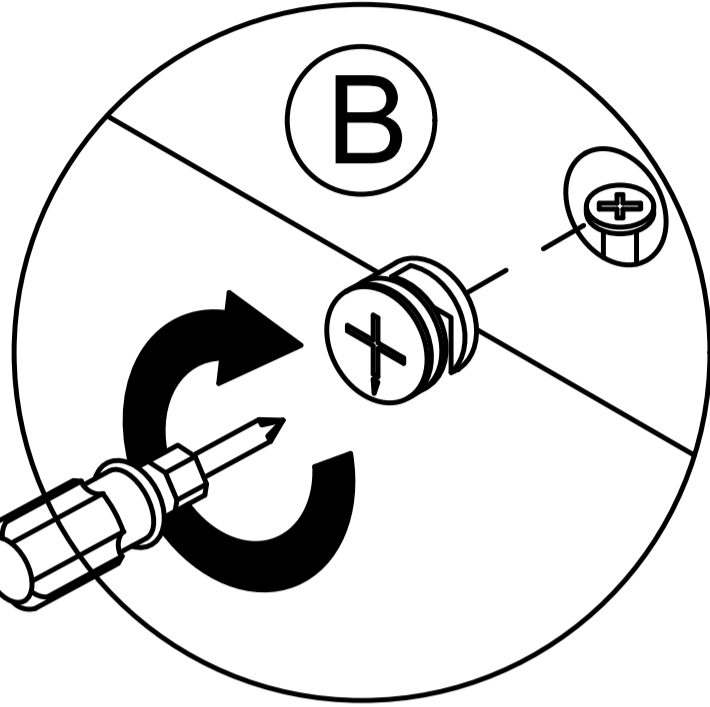
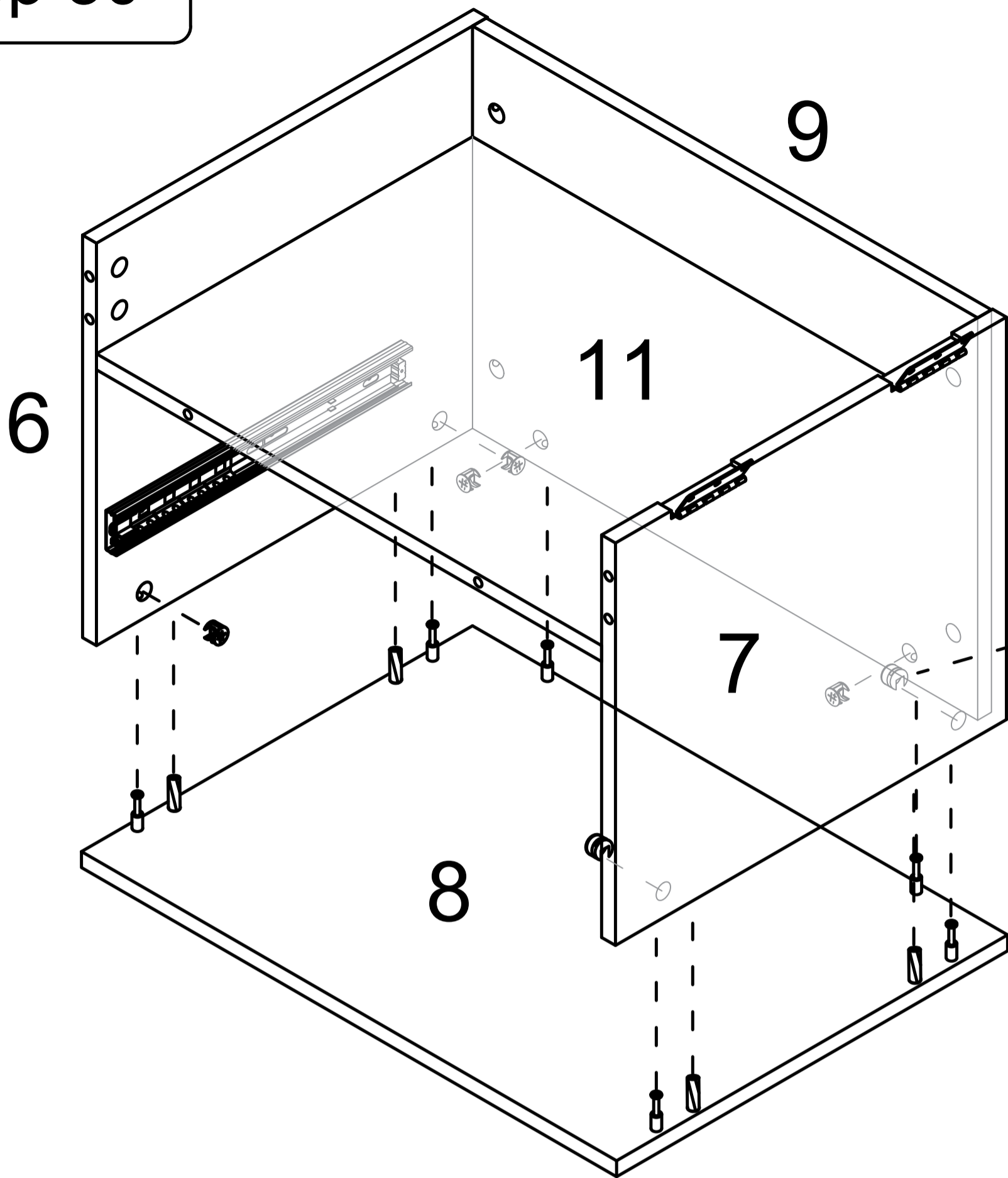
Step 28



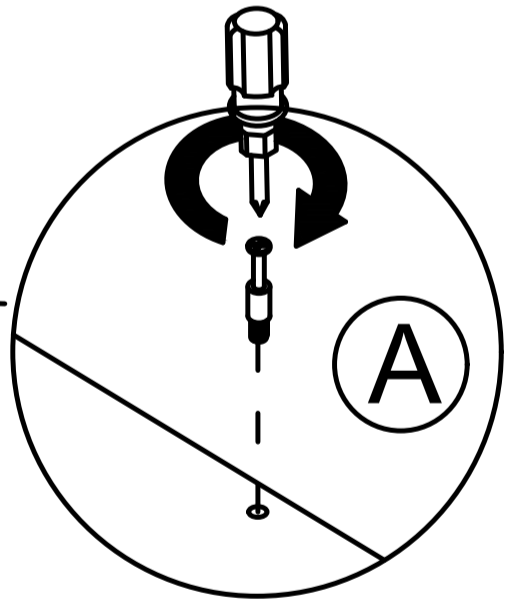
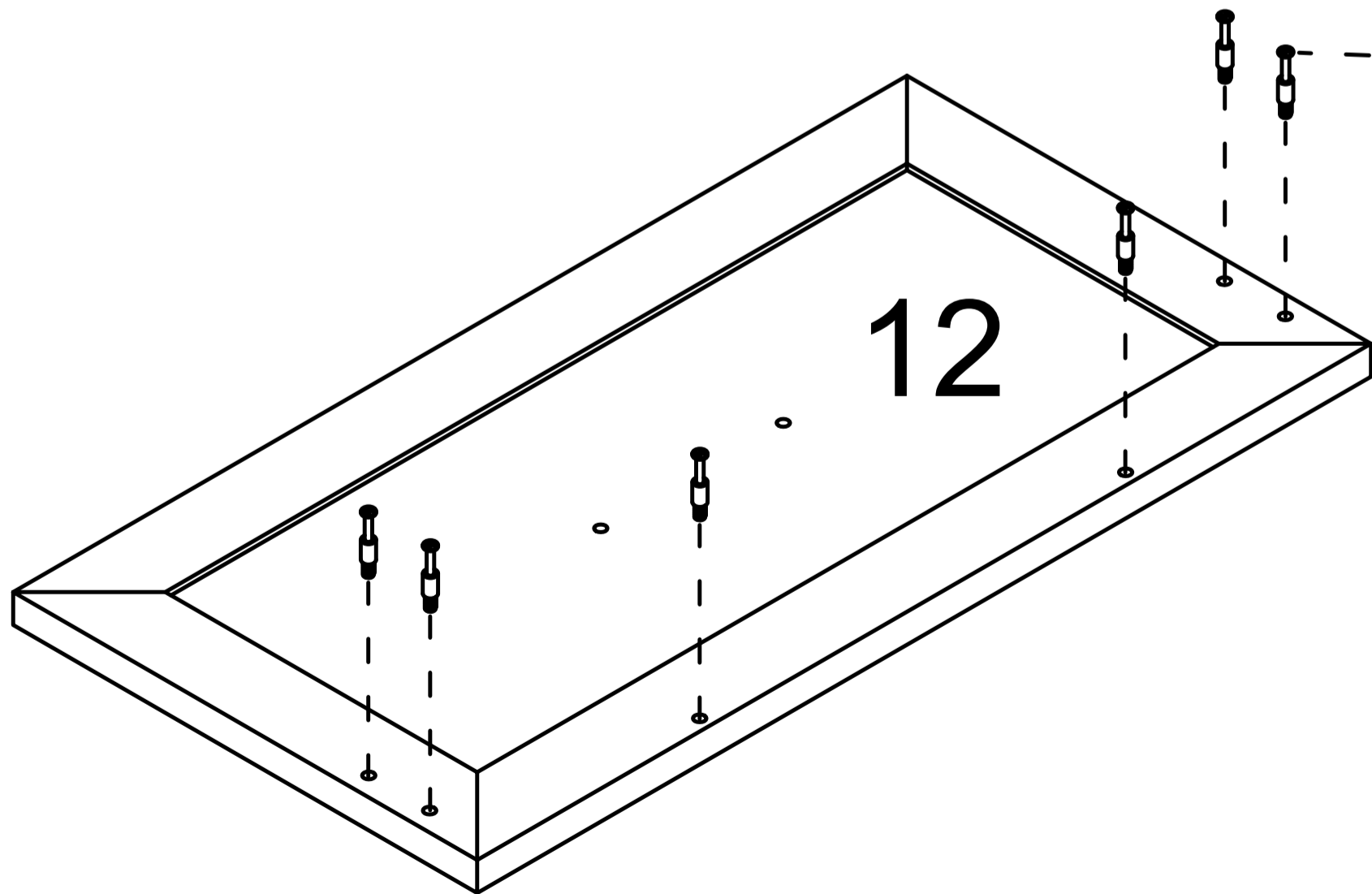
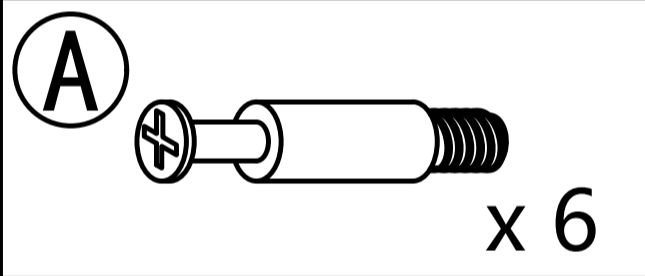
Step 29




Step 30

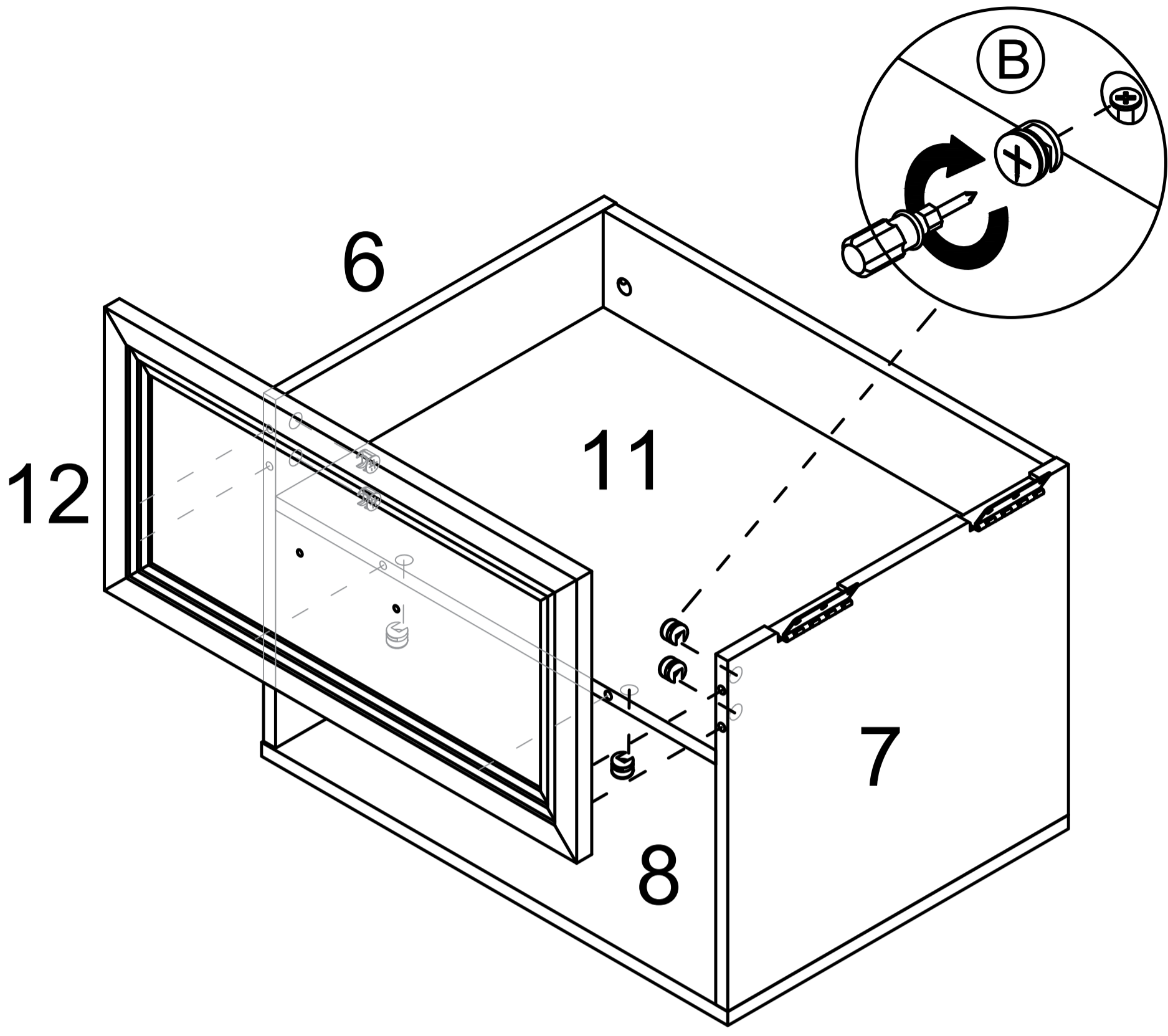


Step 31





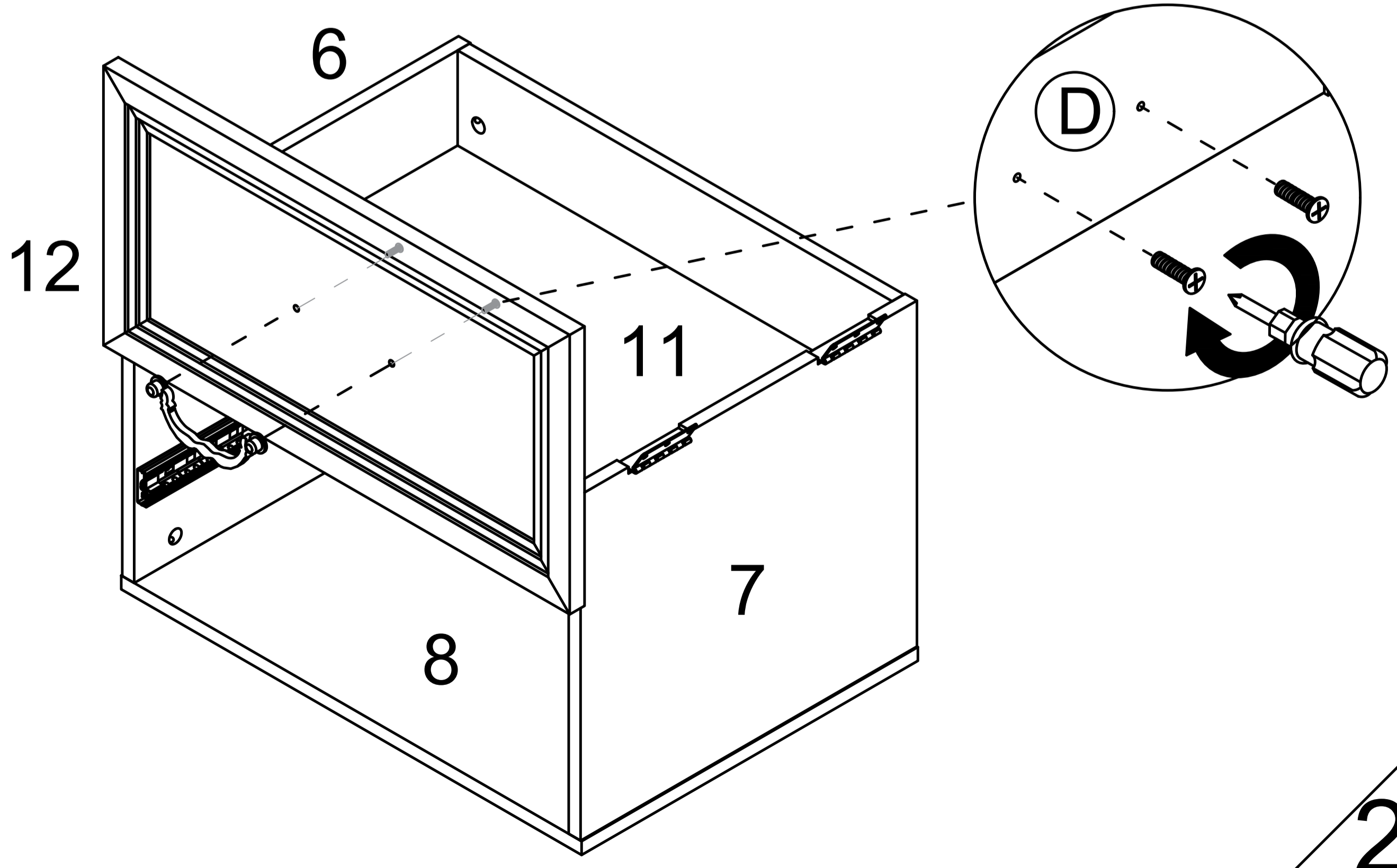
Step 32

- (B)  x 6

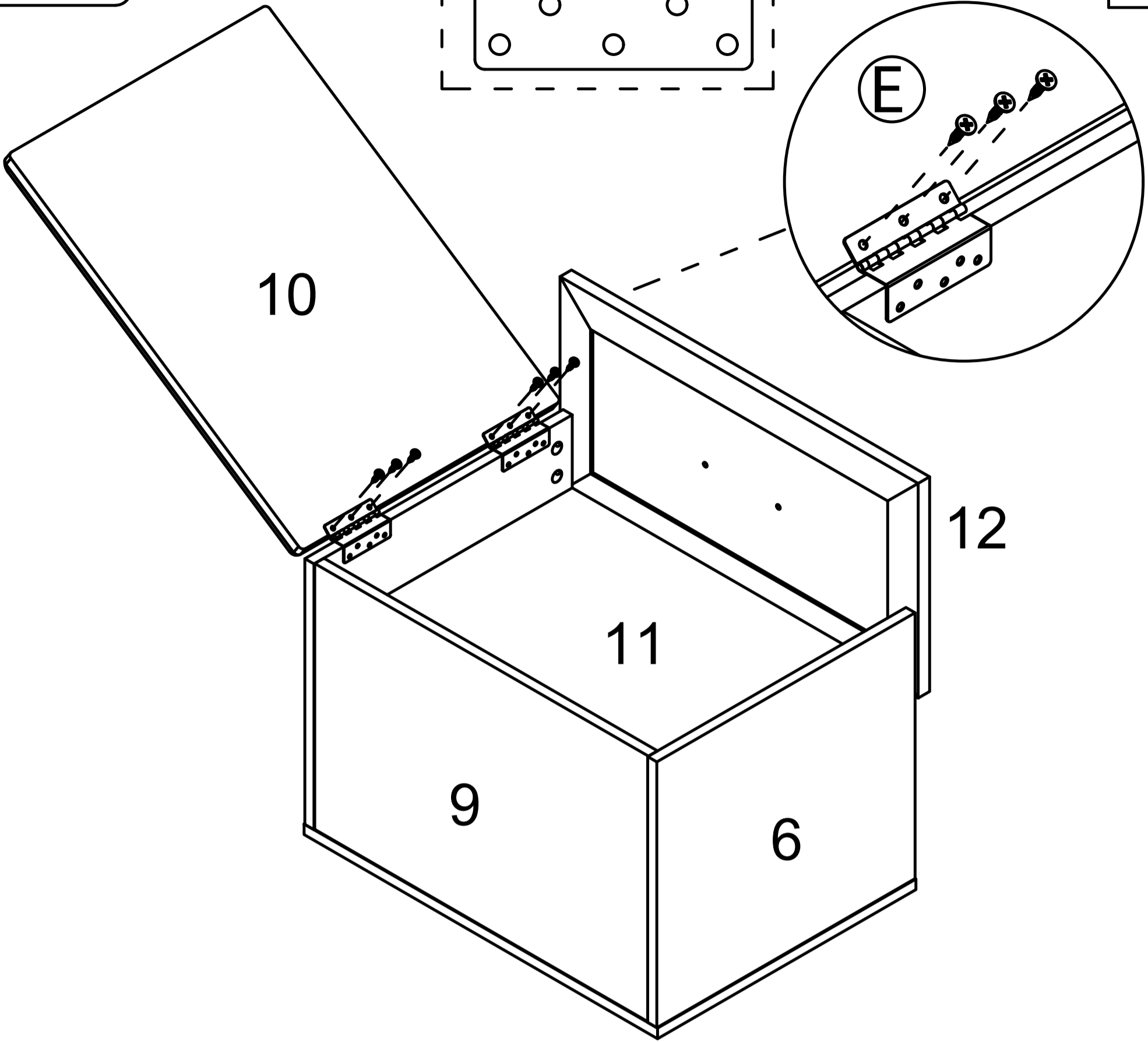
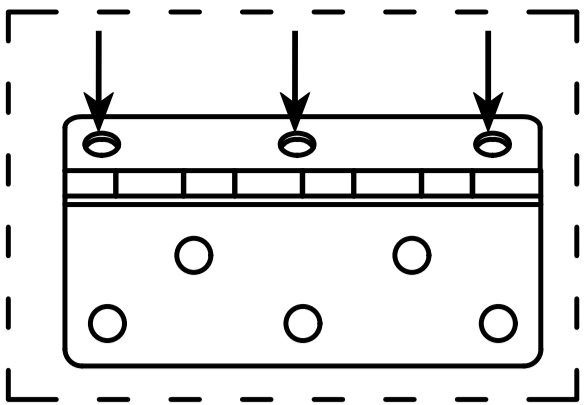


Step 33

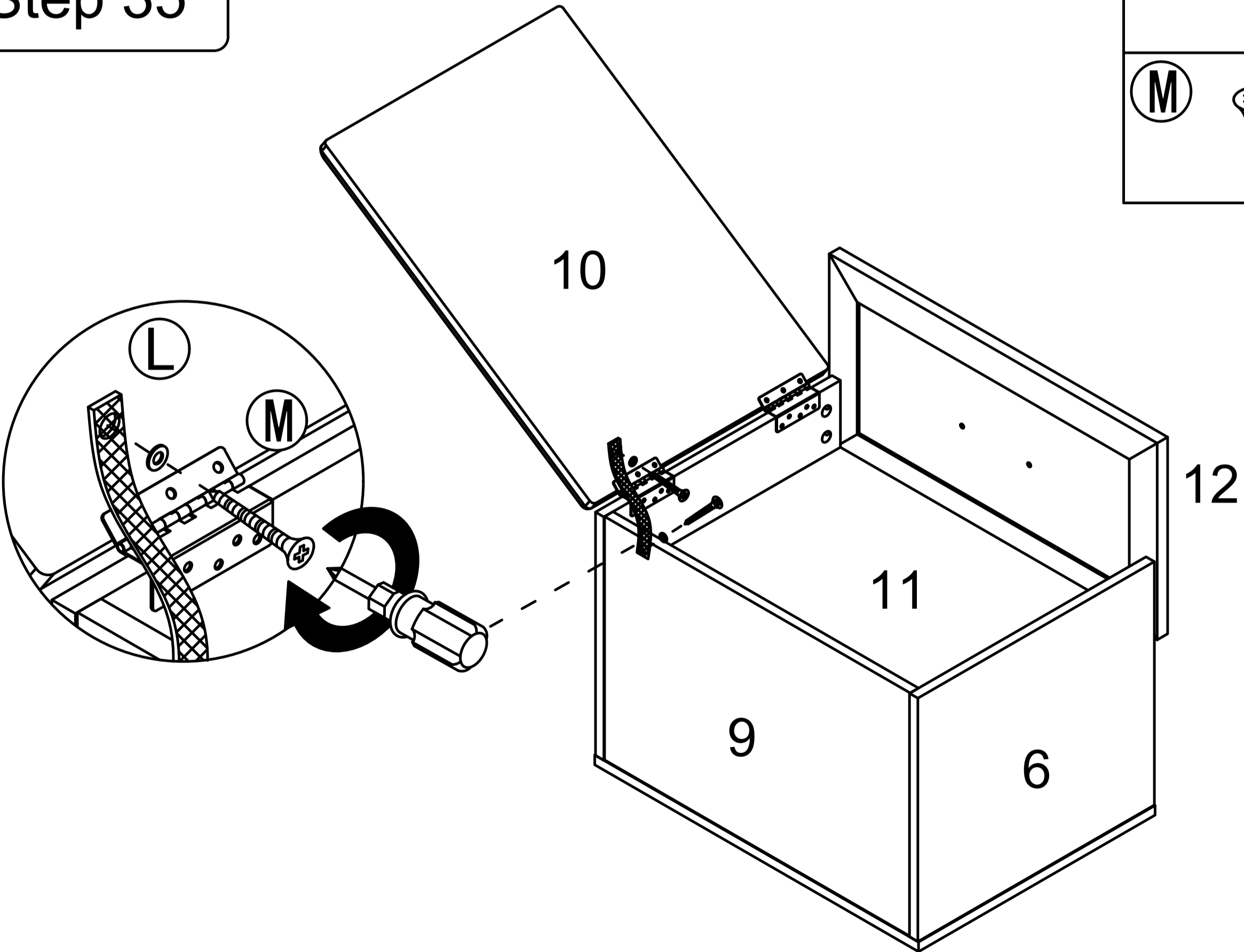
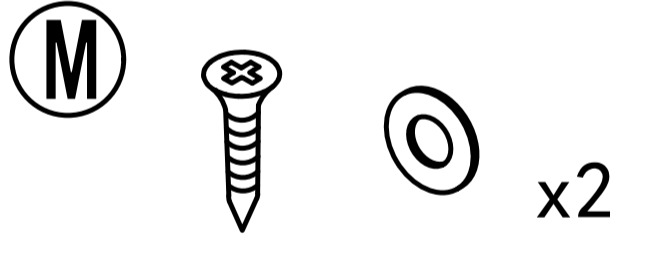
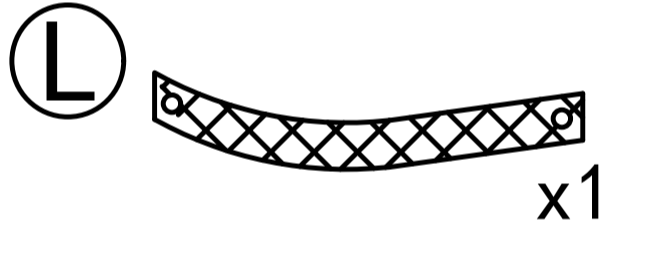
- (D)  x 1
-  x 2



Step 34

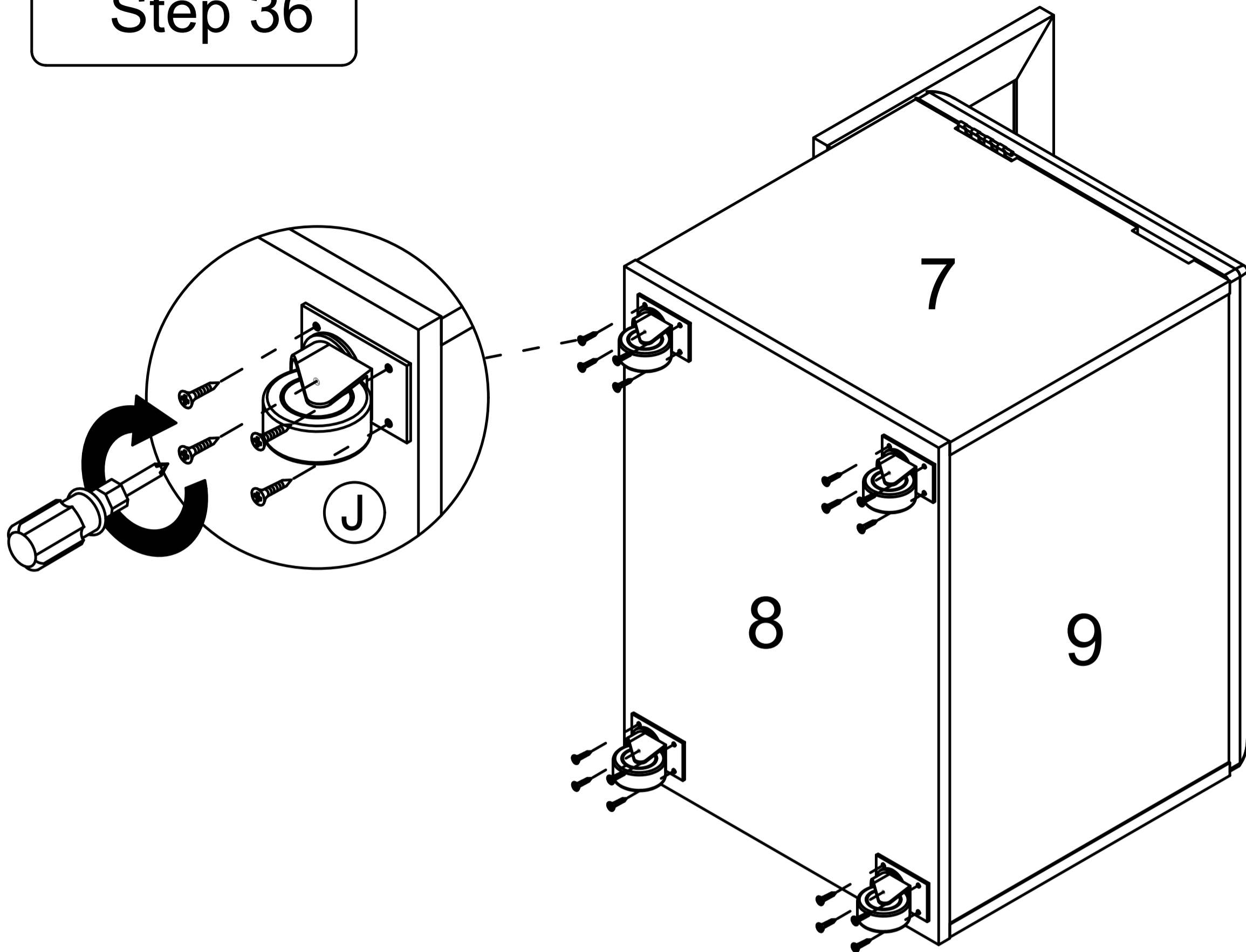


Step 35

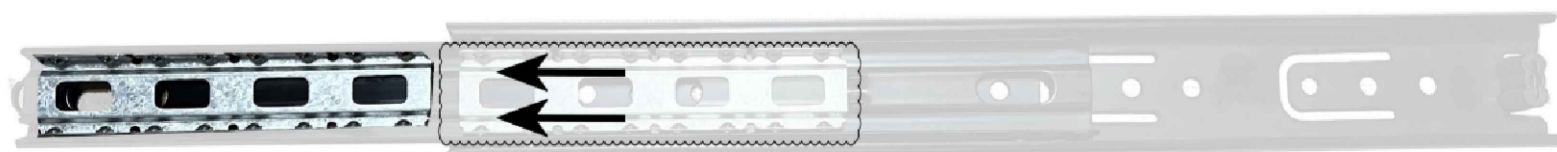
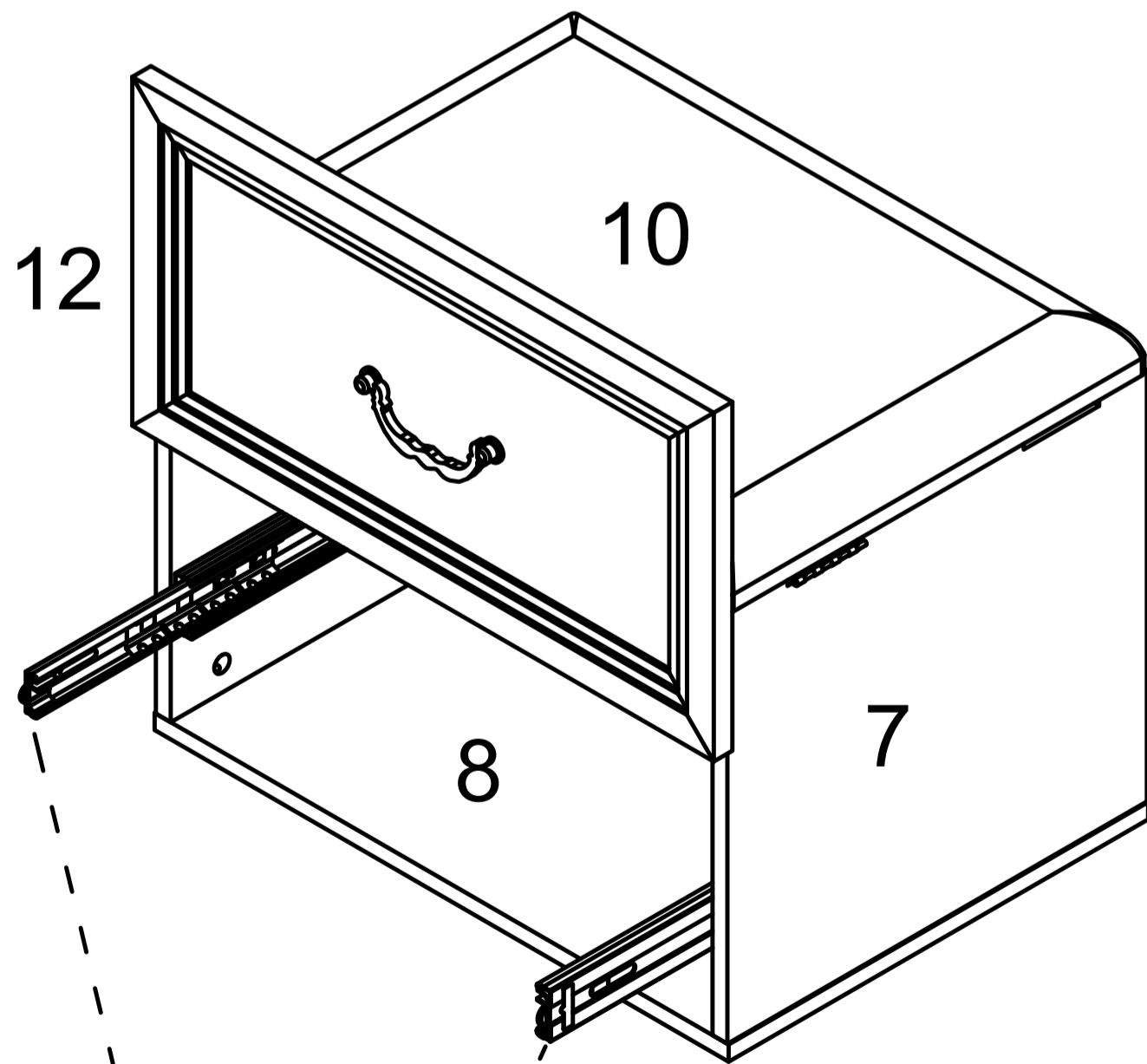


Step 36

J  
x 4      x 16

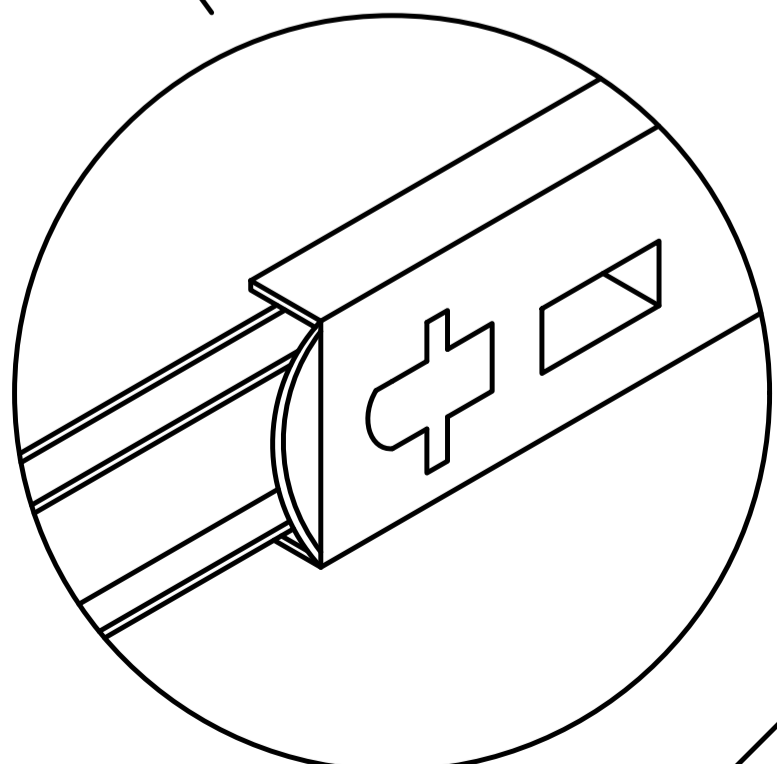
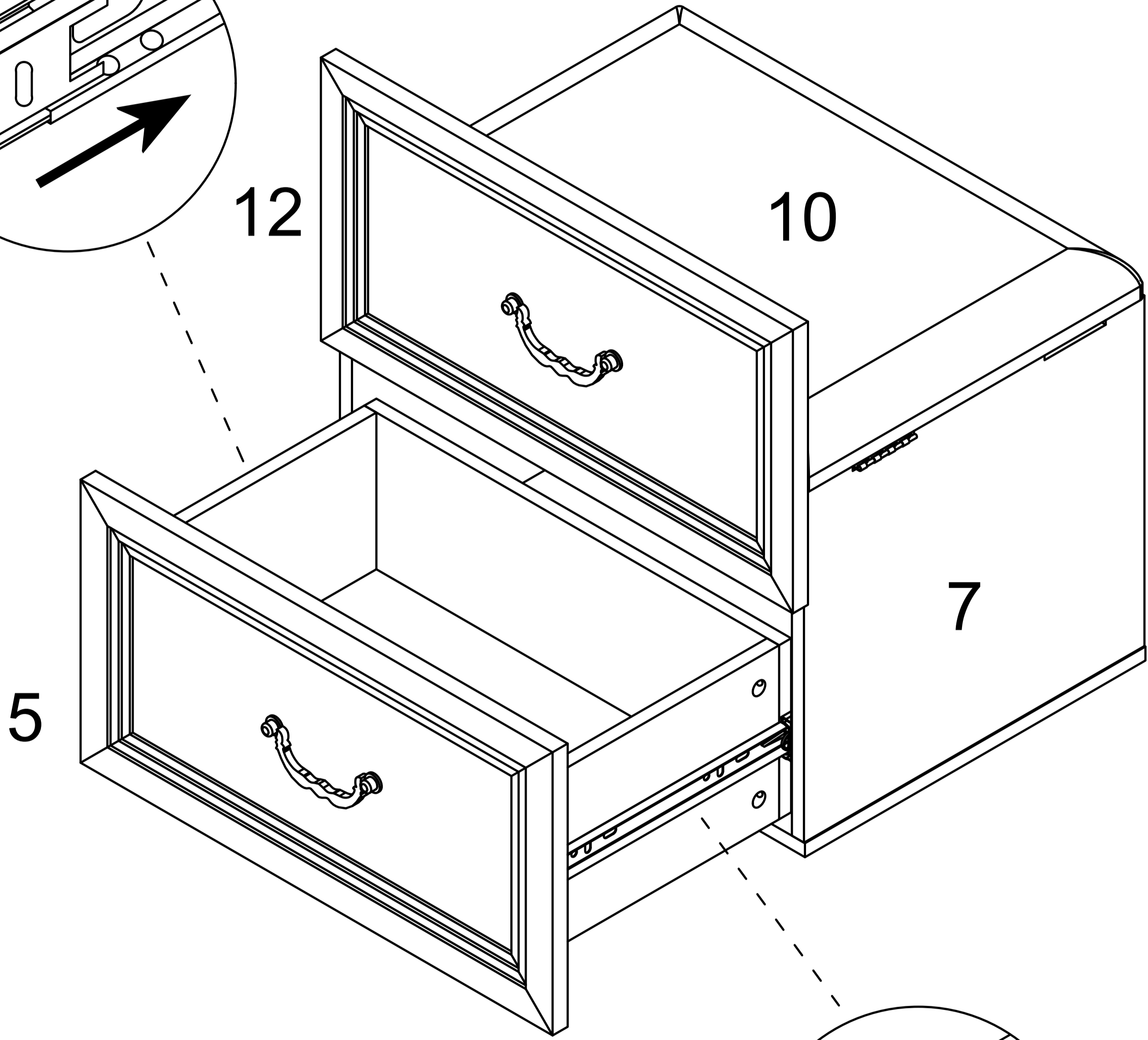
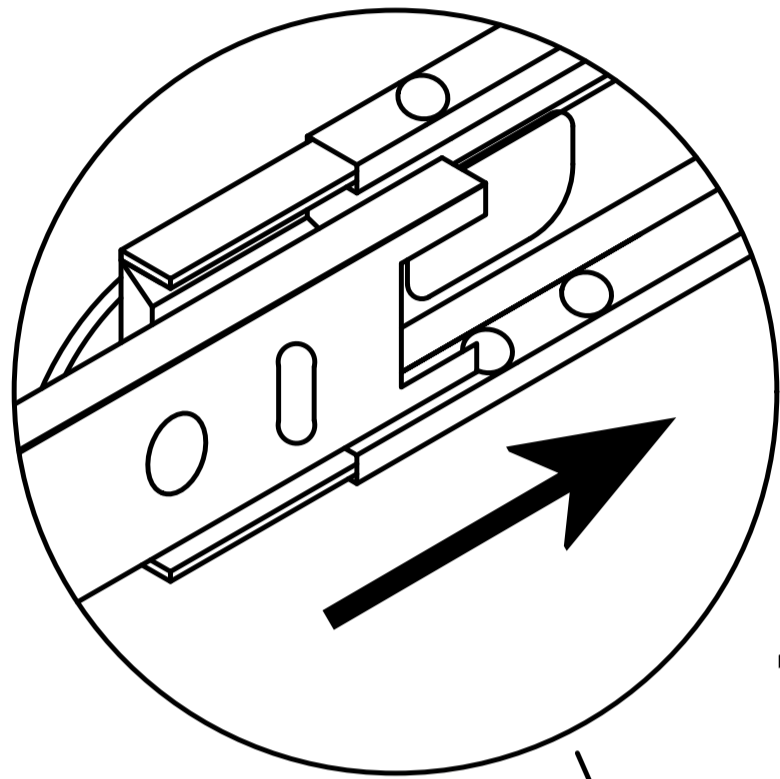


Step 37

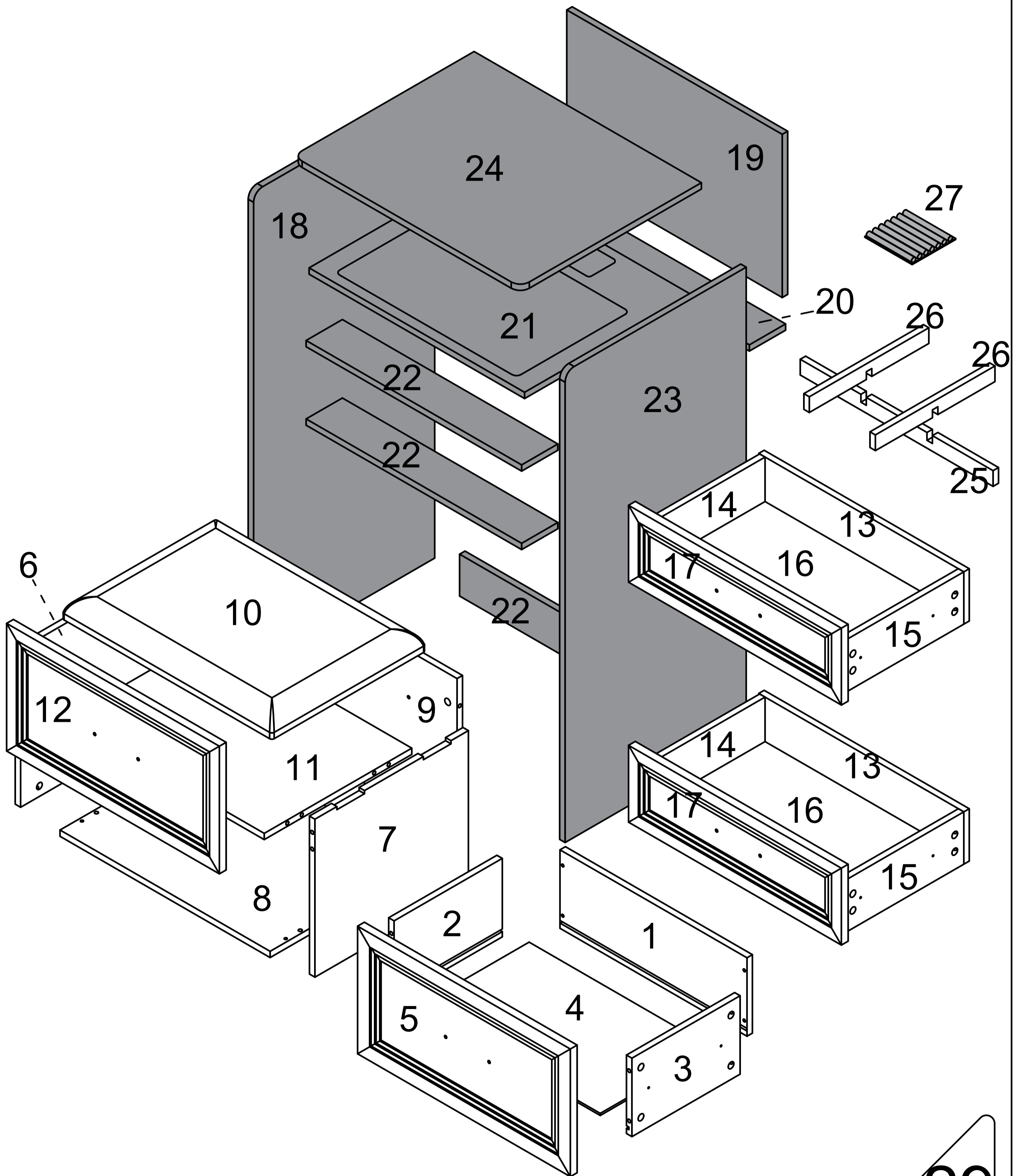


As shown, When installing the drawer, pull the guide rail out first, Slide beads are also pulled out.

Step 38



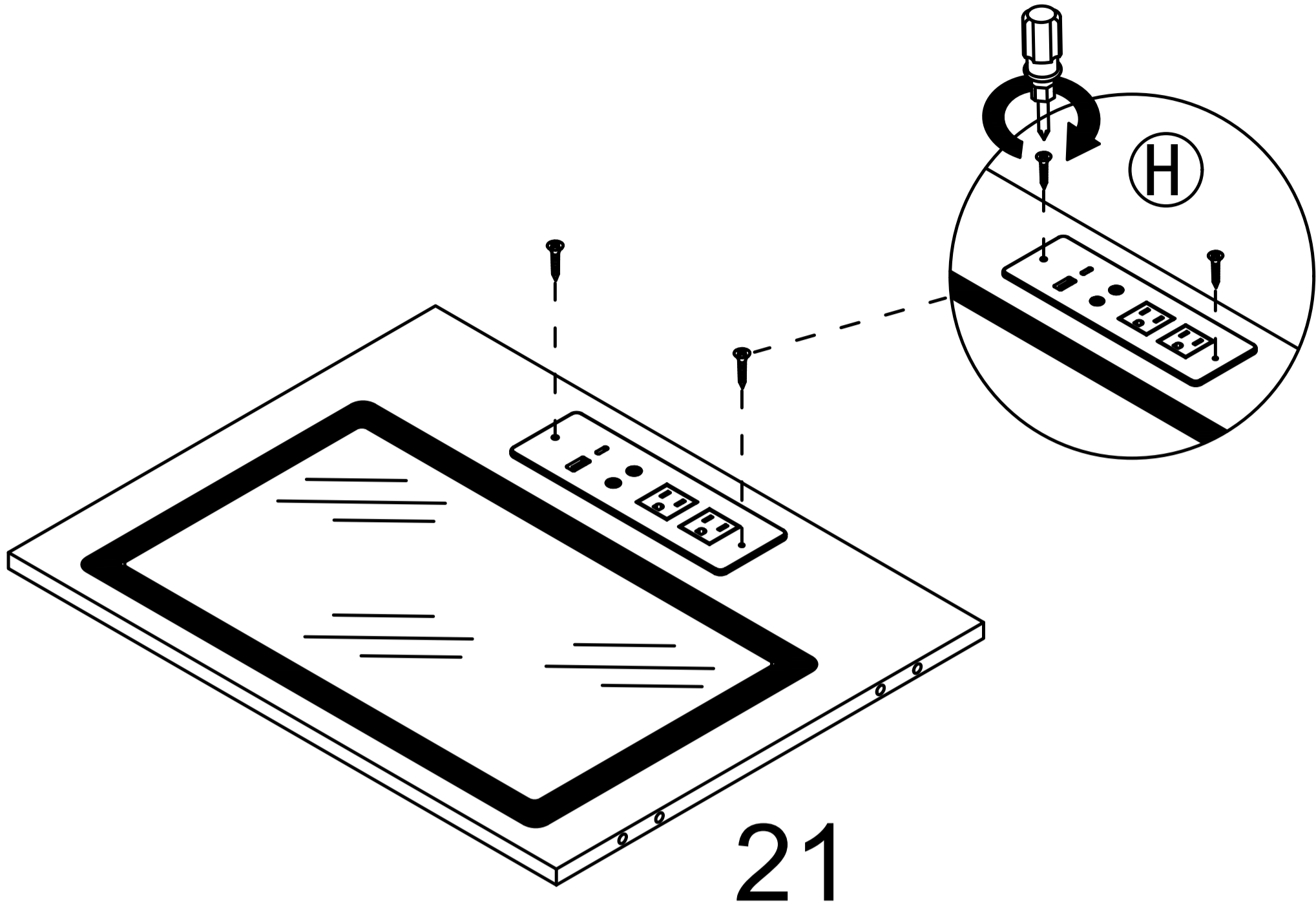
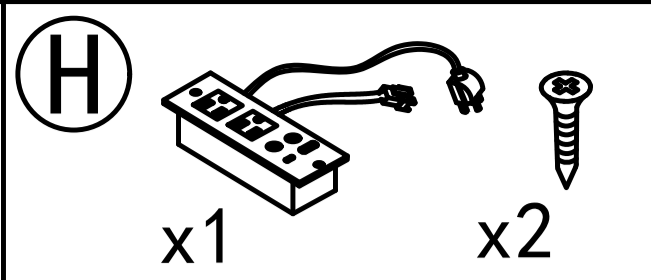
# Product structure decomposition



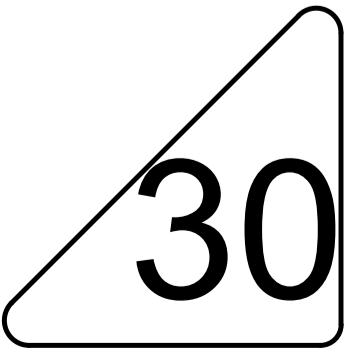
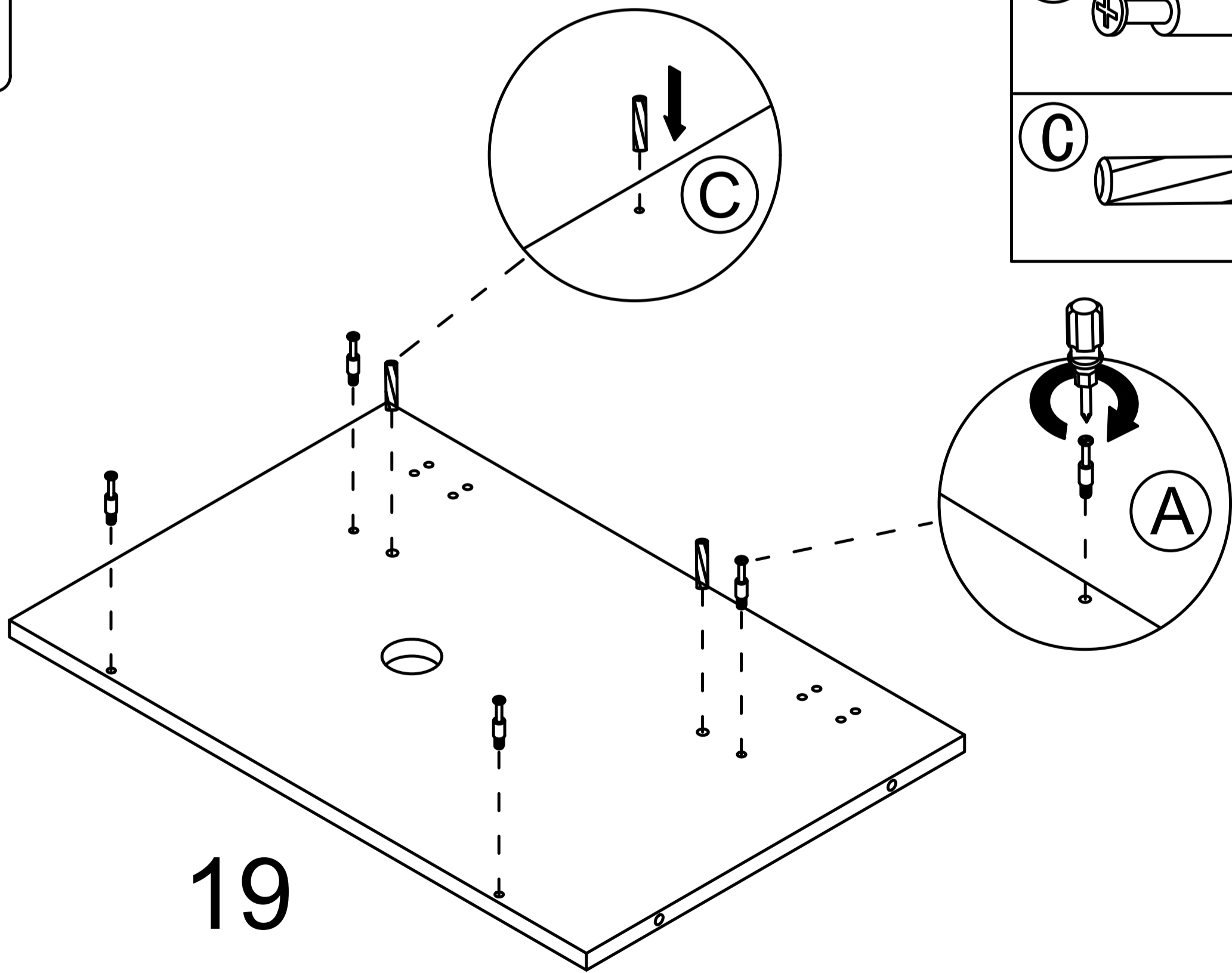
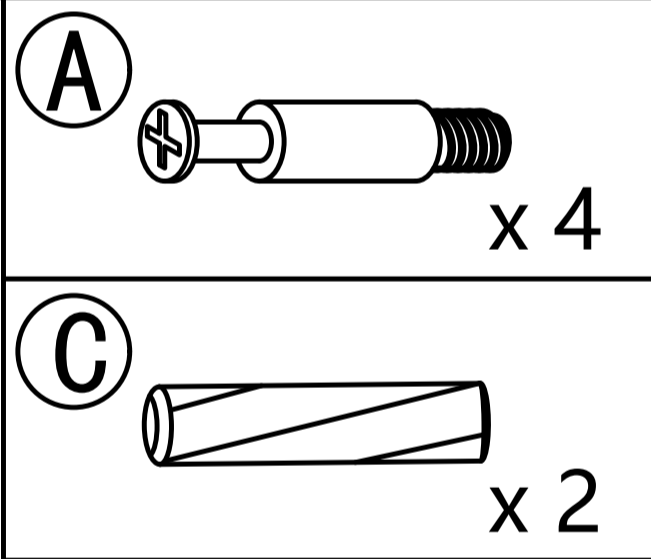
29

SY

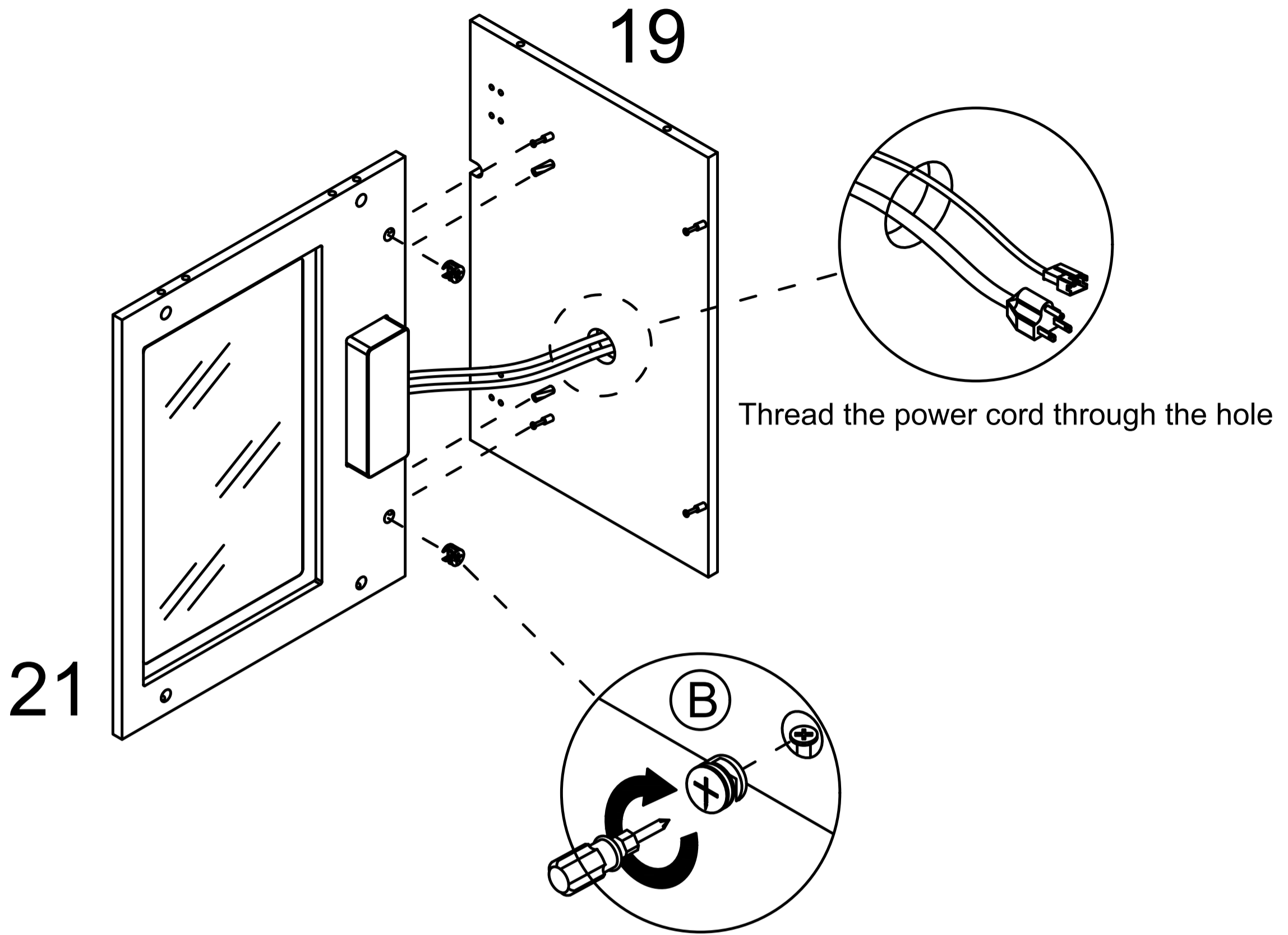
Step 39



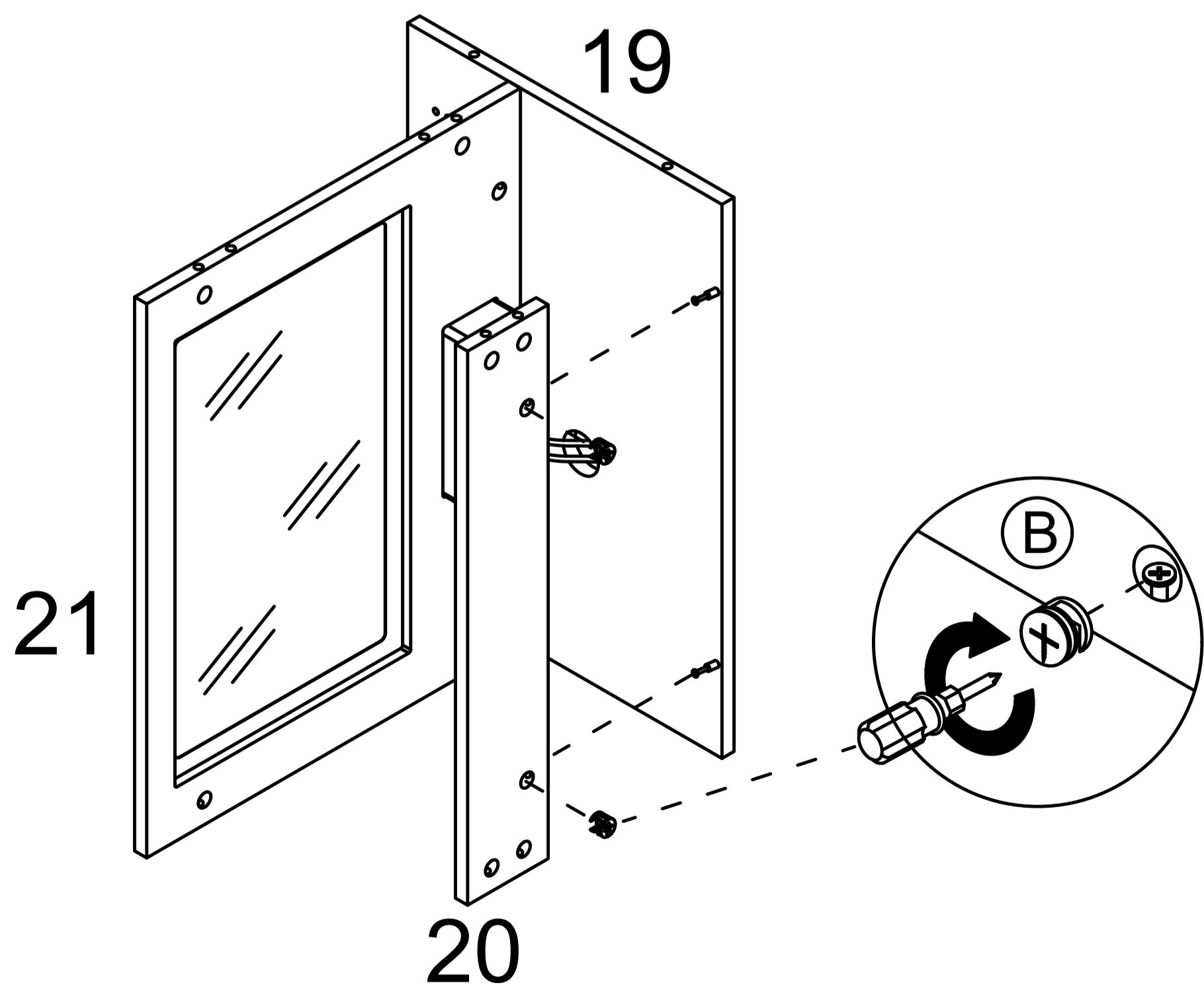
Step 40



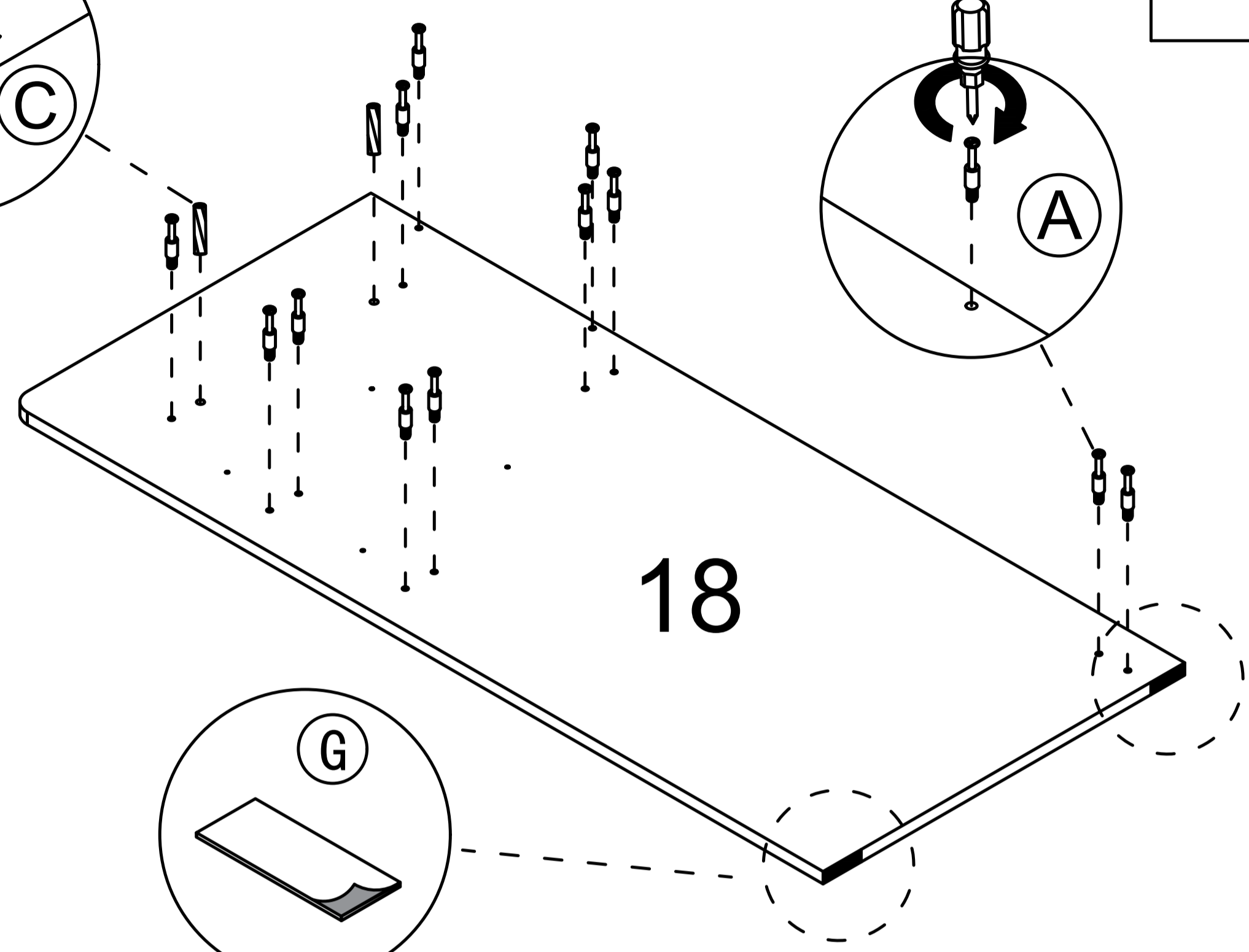
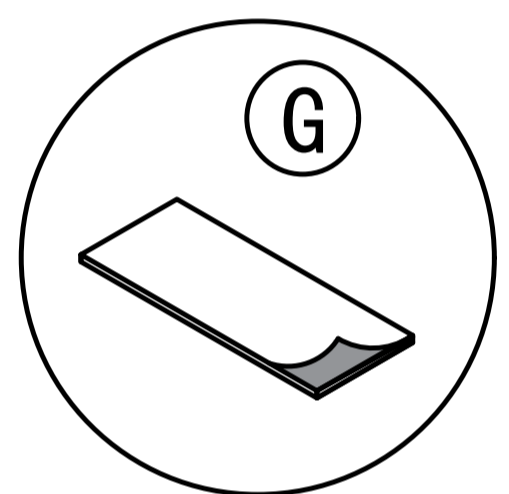
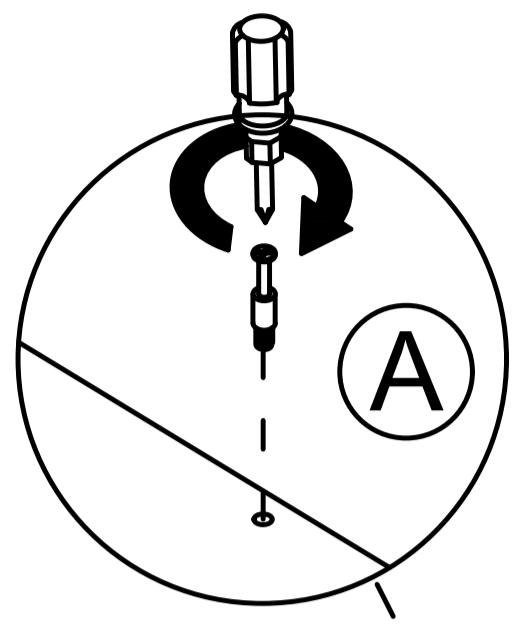
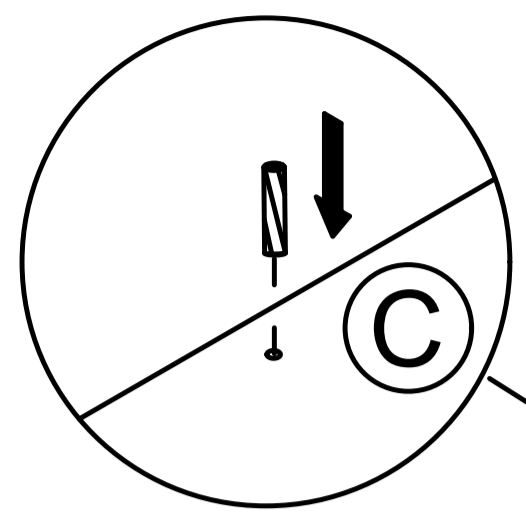
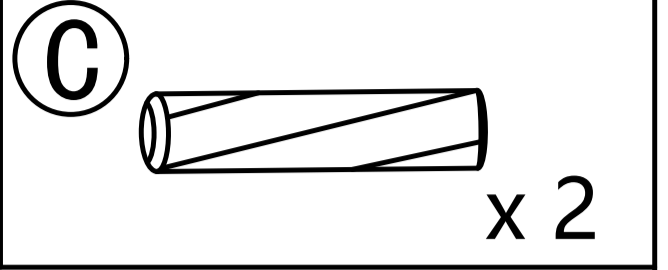
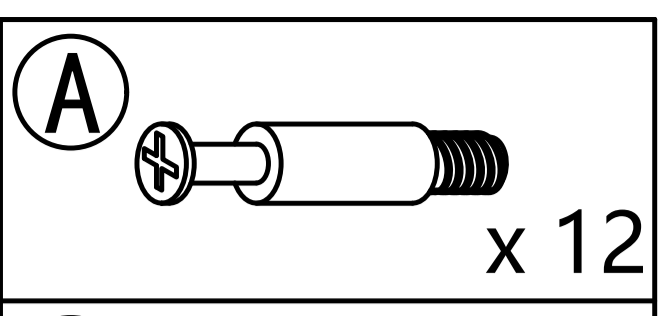
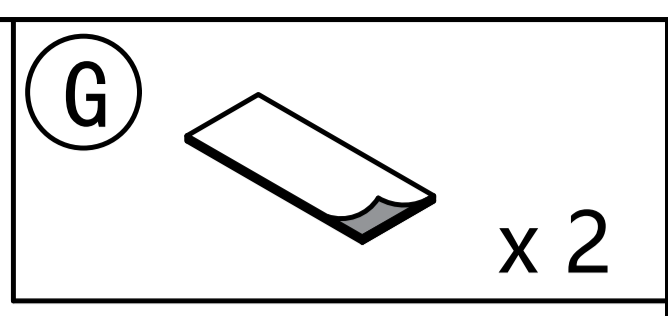
Step 41



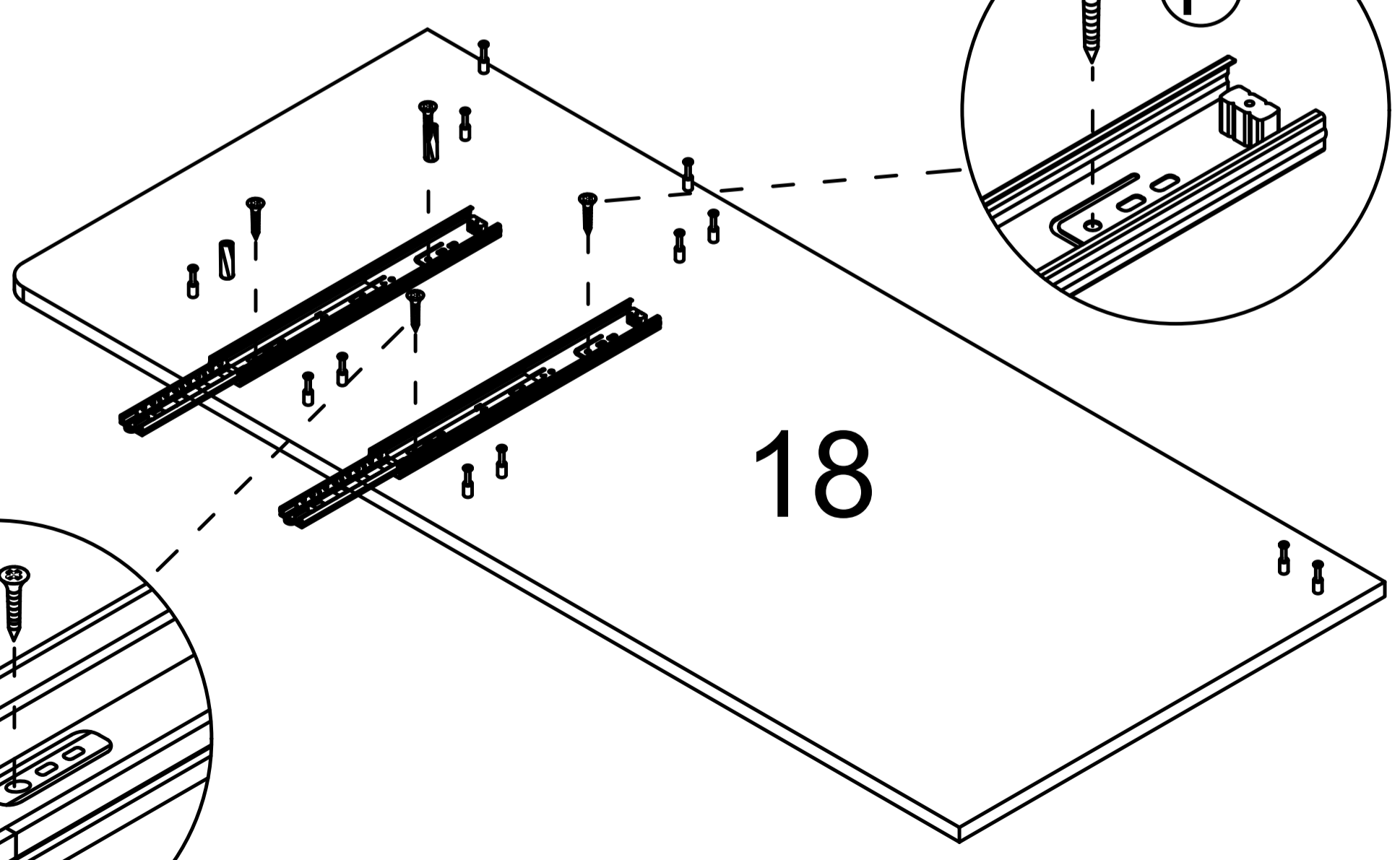
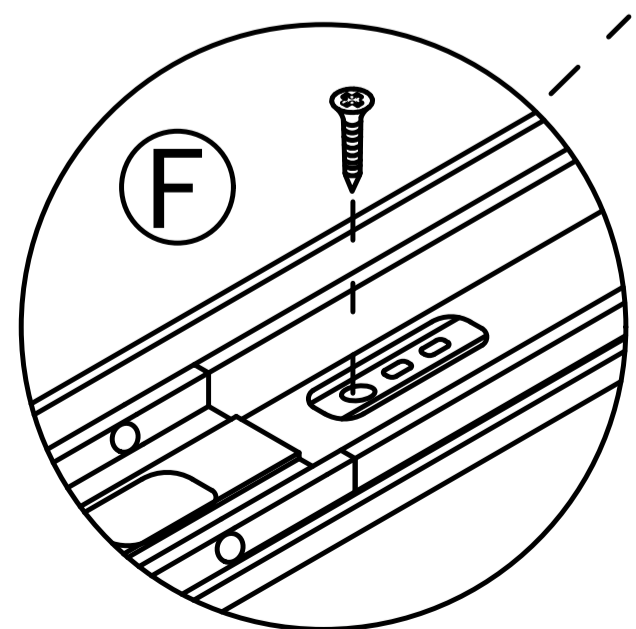
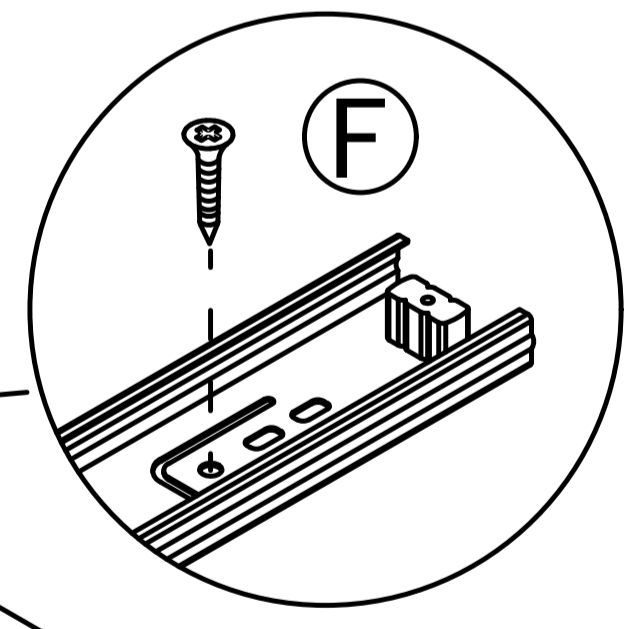
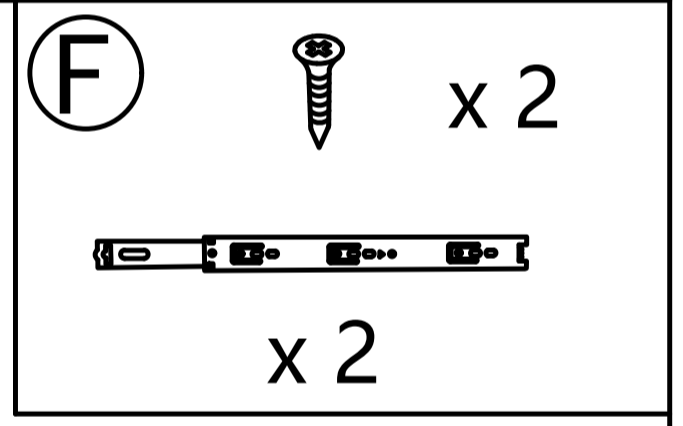
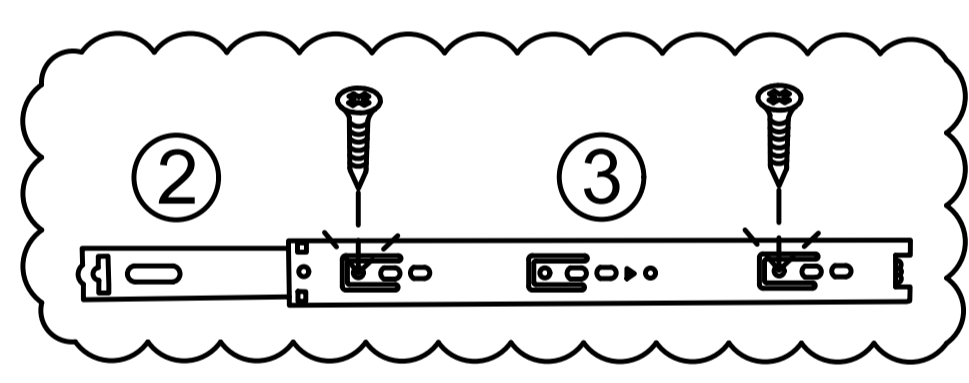
Step 42



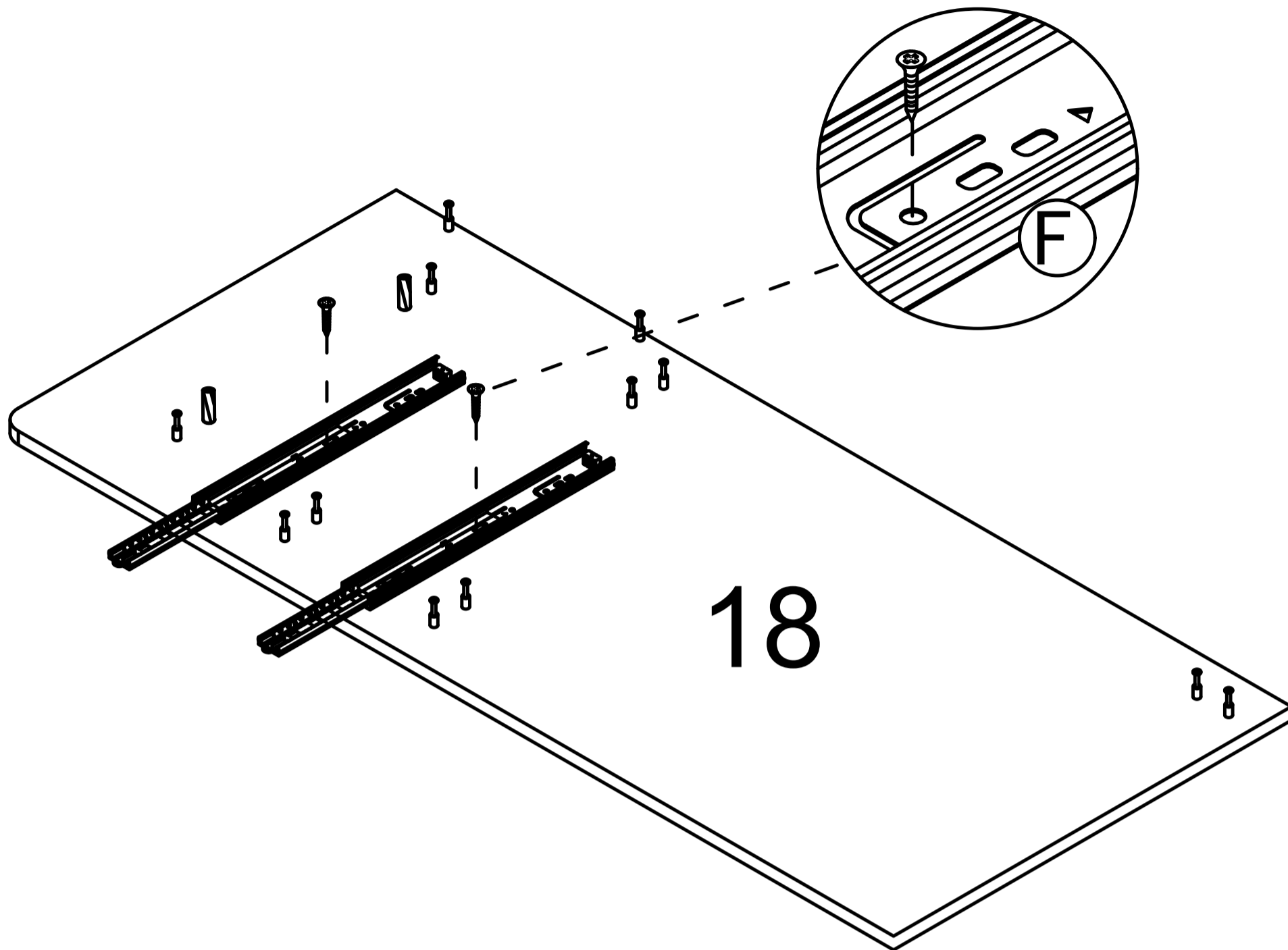
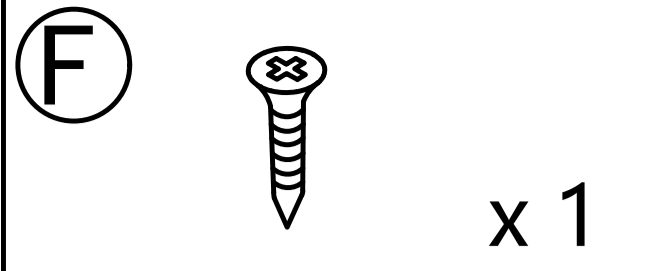
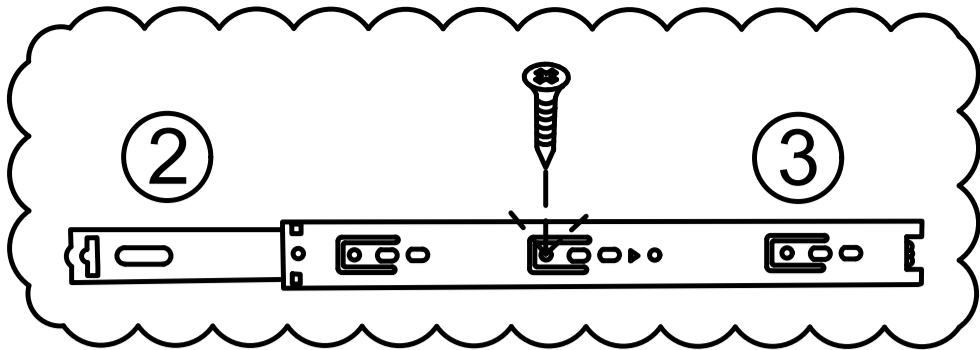
Step 43



Step 44

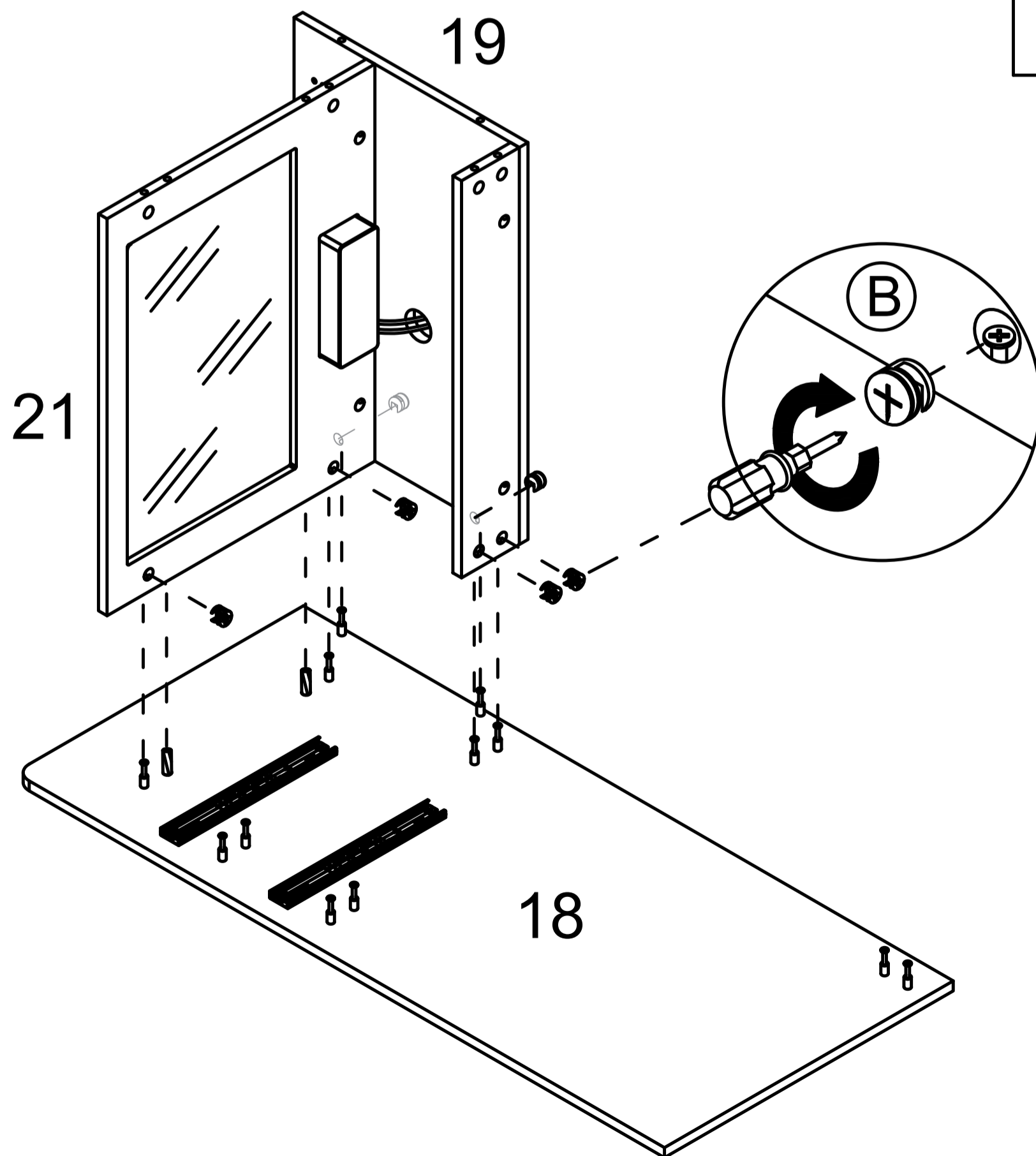


Step 45

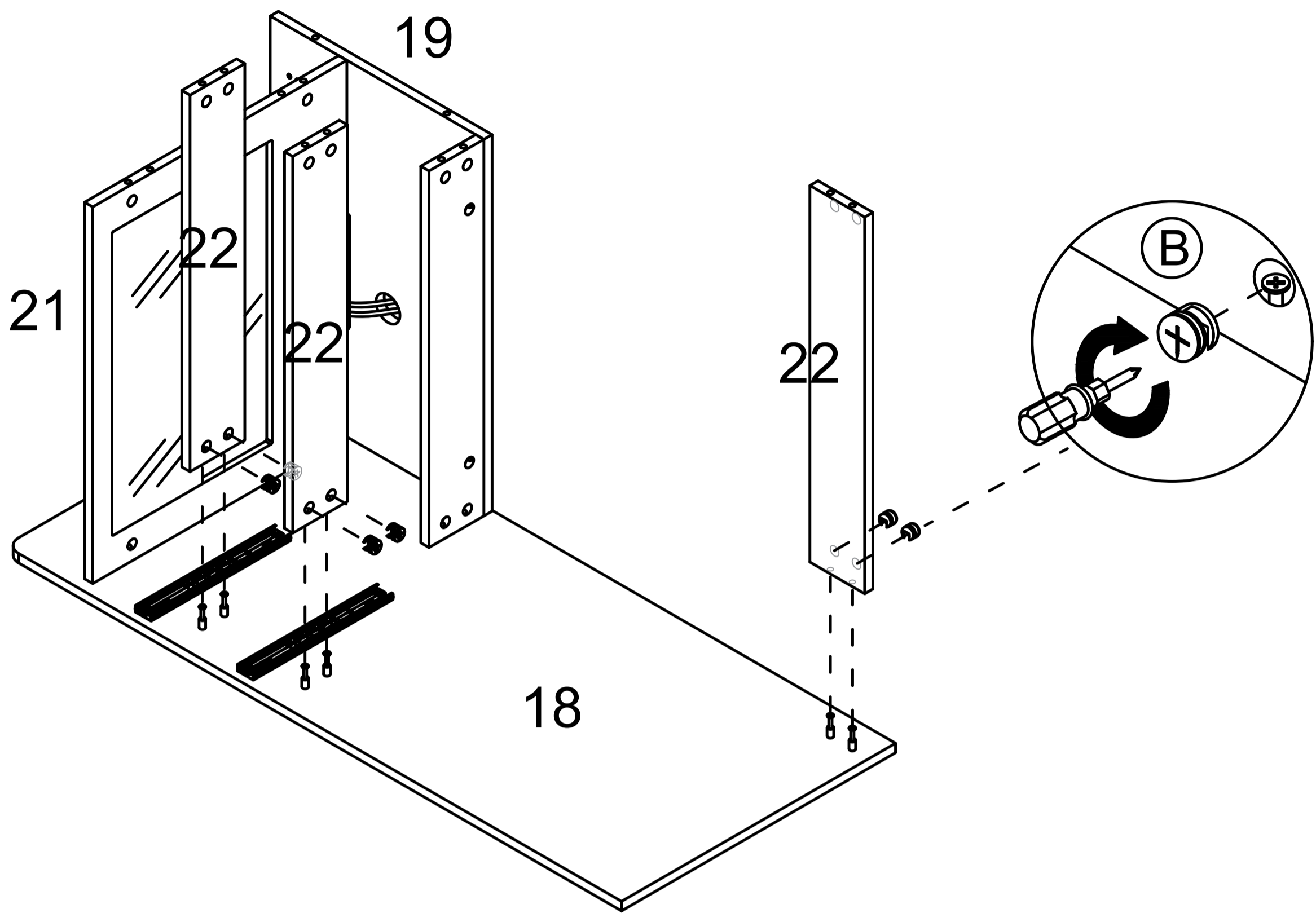
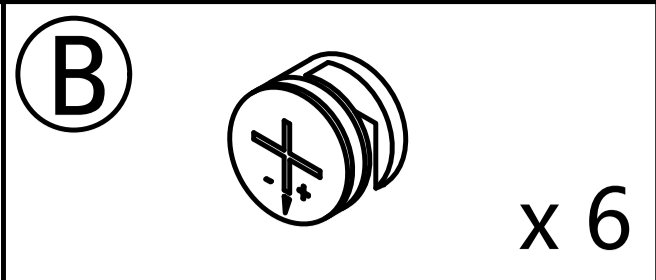


This hole is a rail fixing hole and can be installed as needed

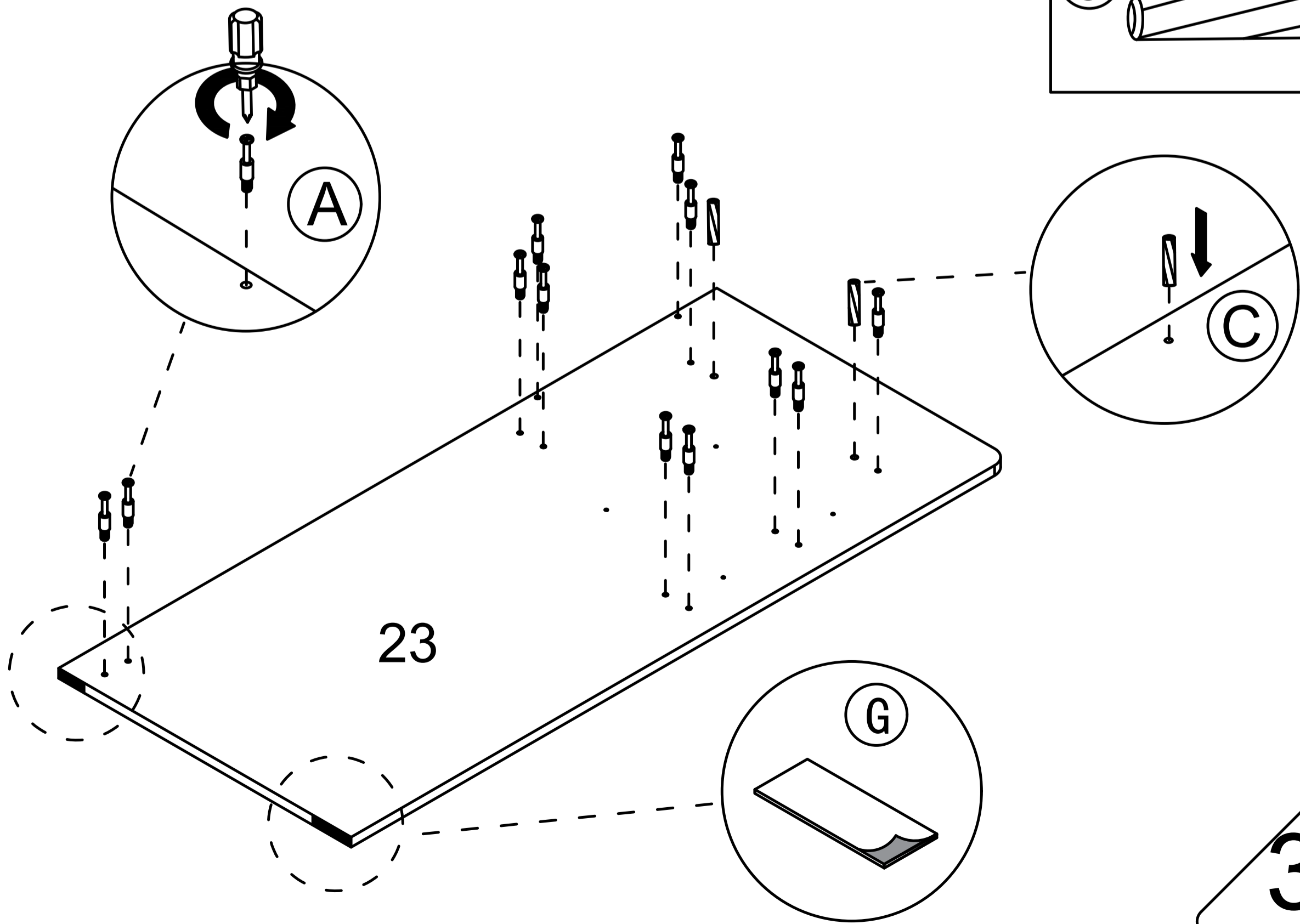
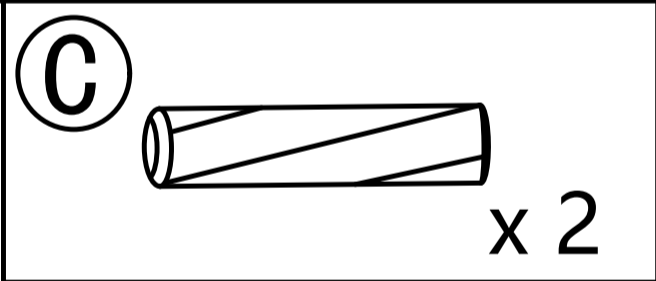
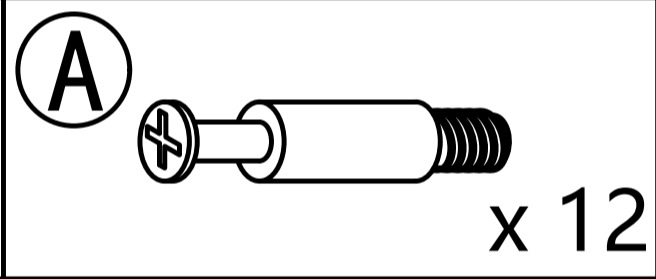
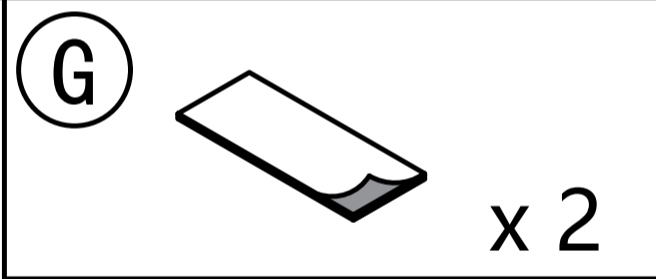
Step 46



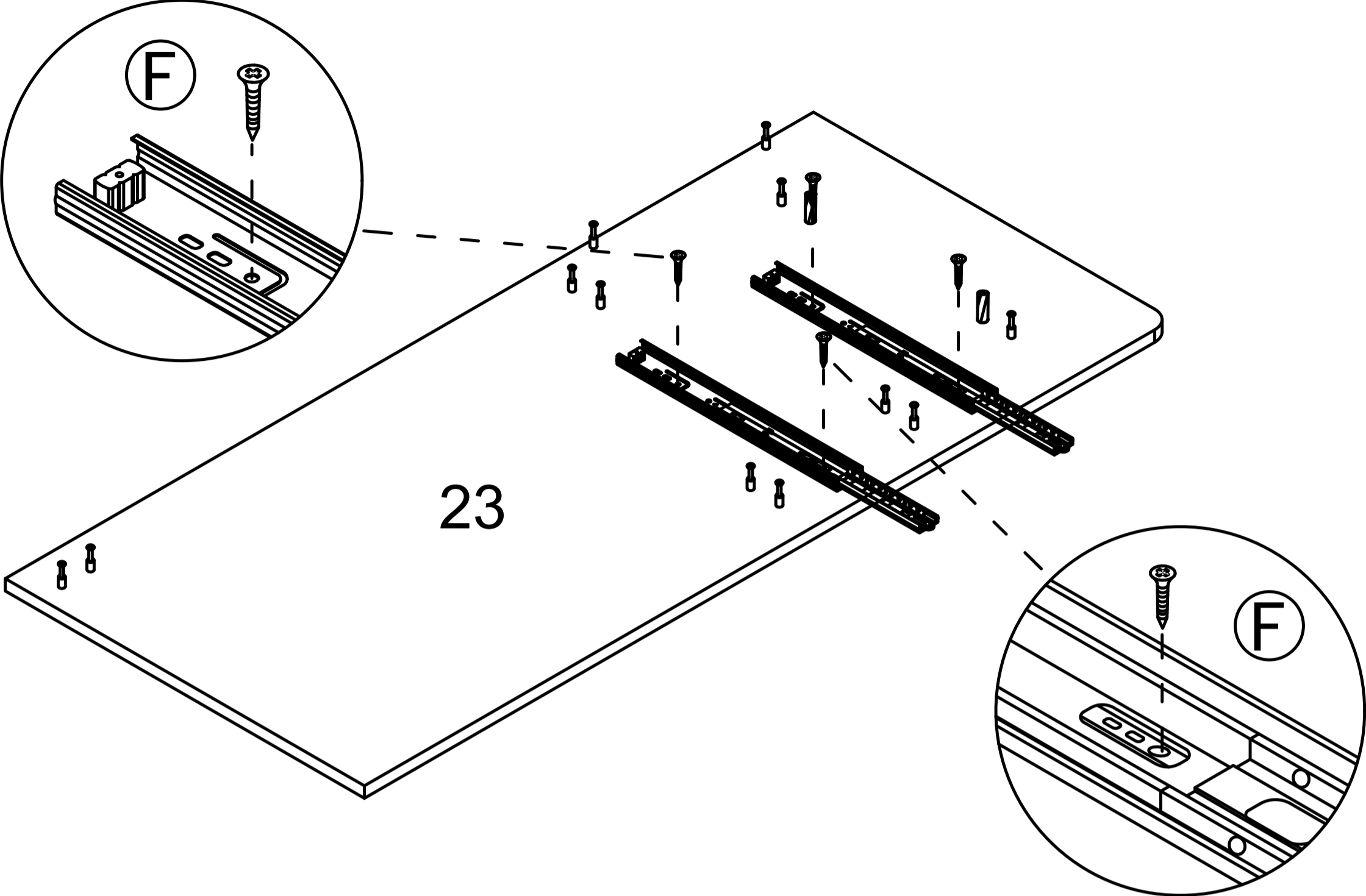
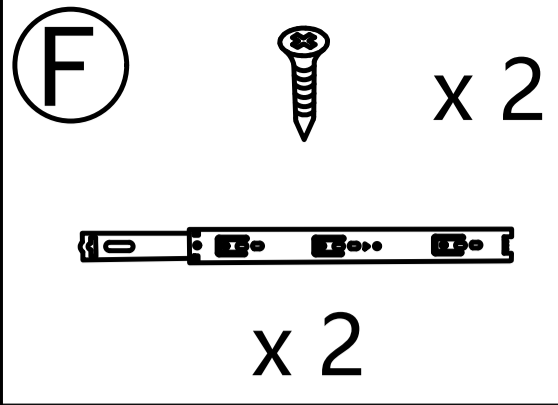
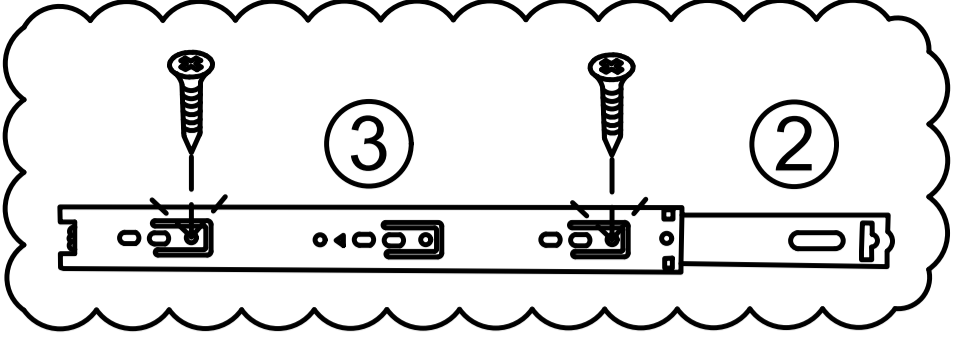
Step 47



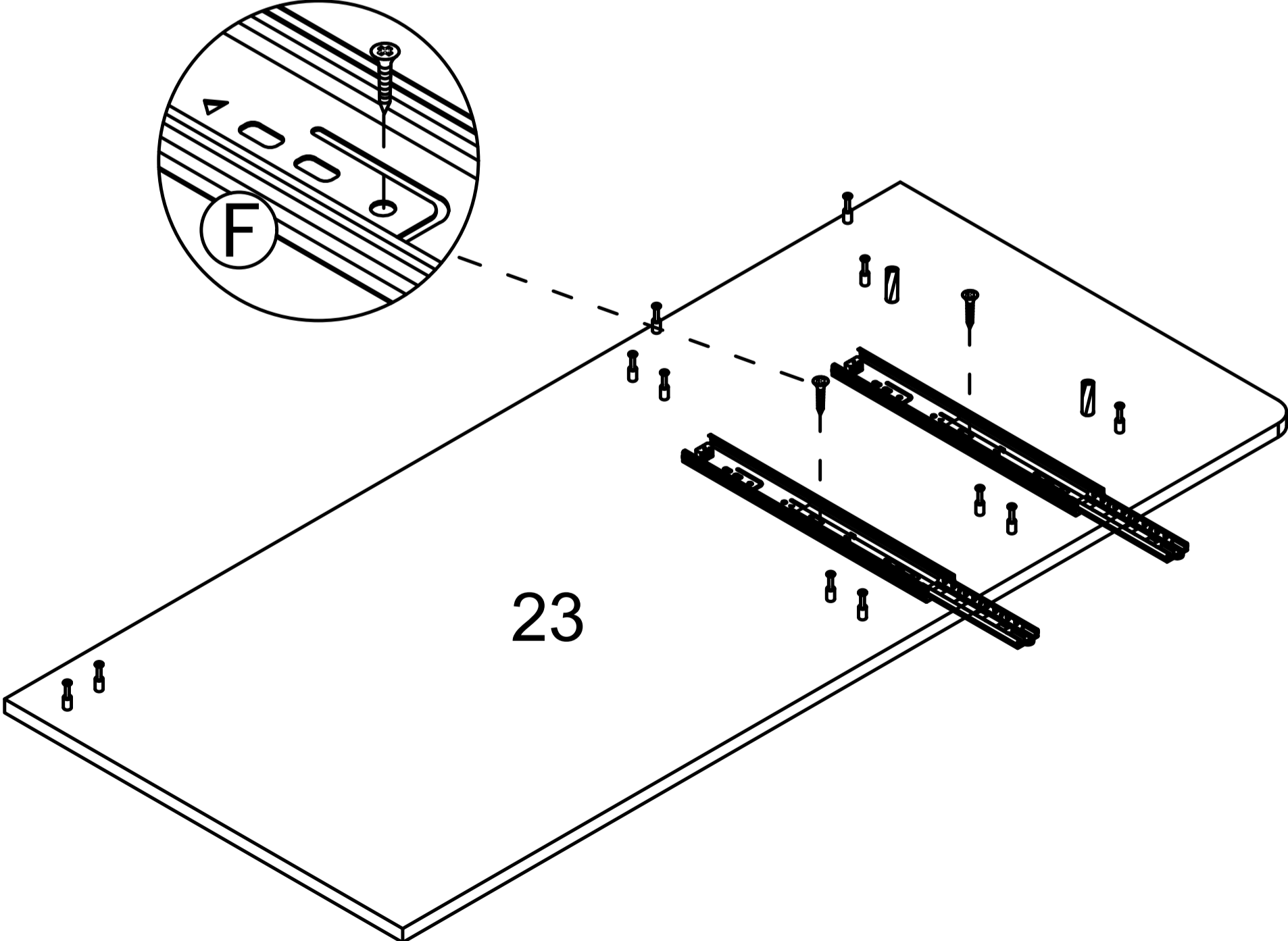
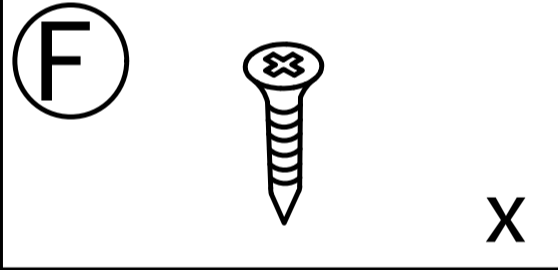
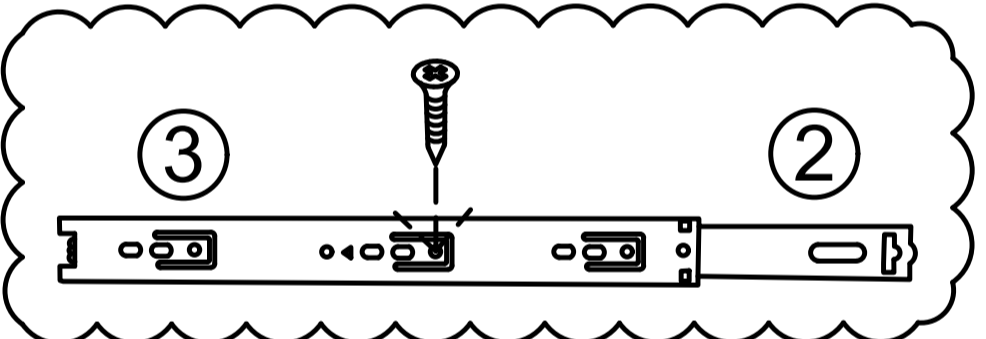
Step 48



Step 49




Step 50

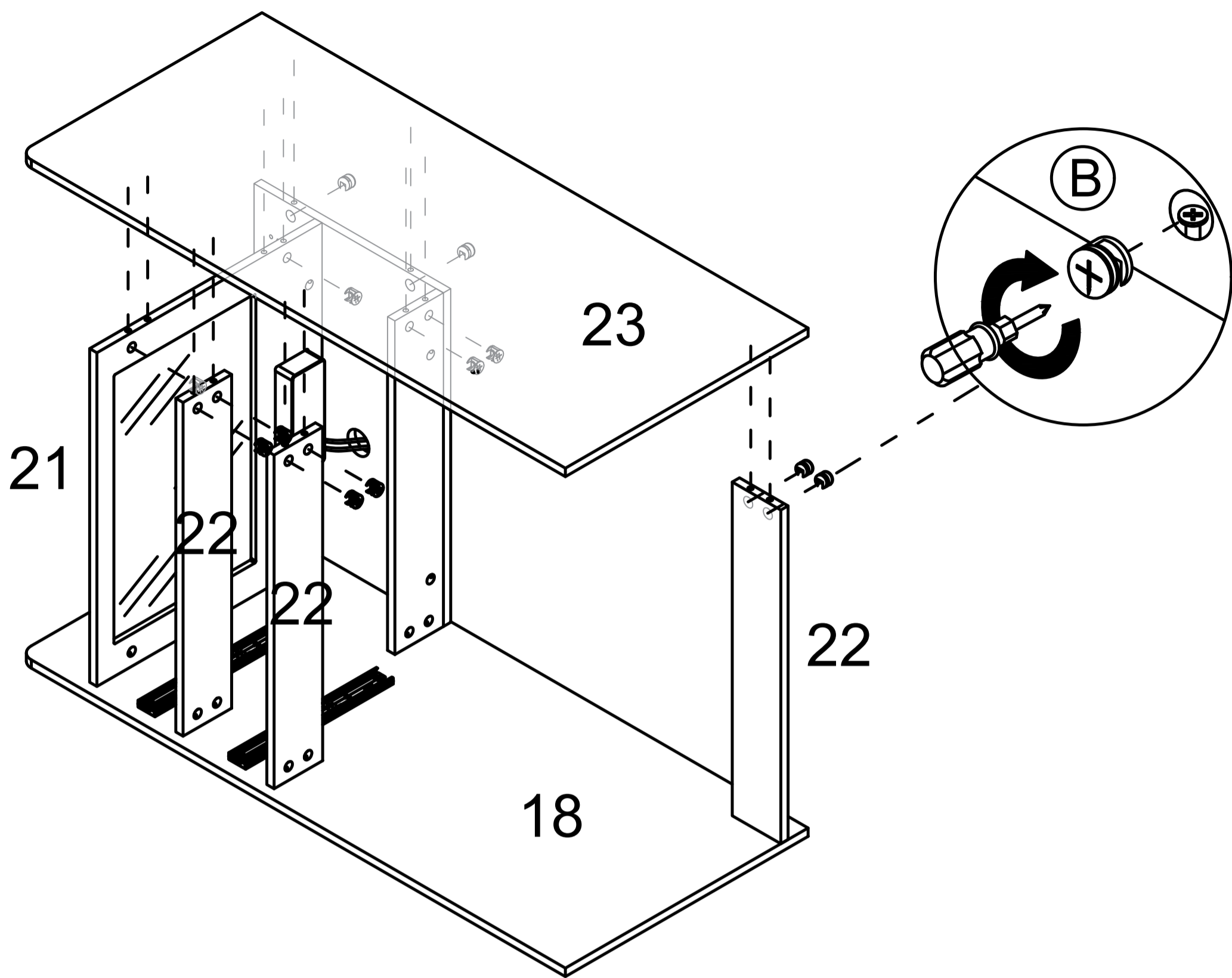


This hole is a rail fixing hole and can be installed as needed

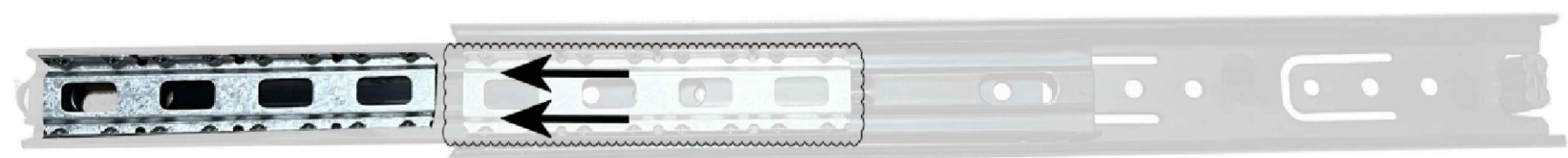
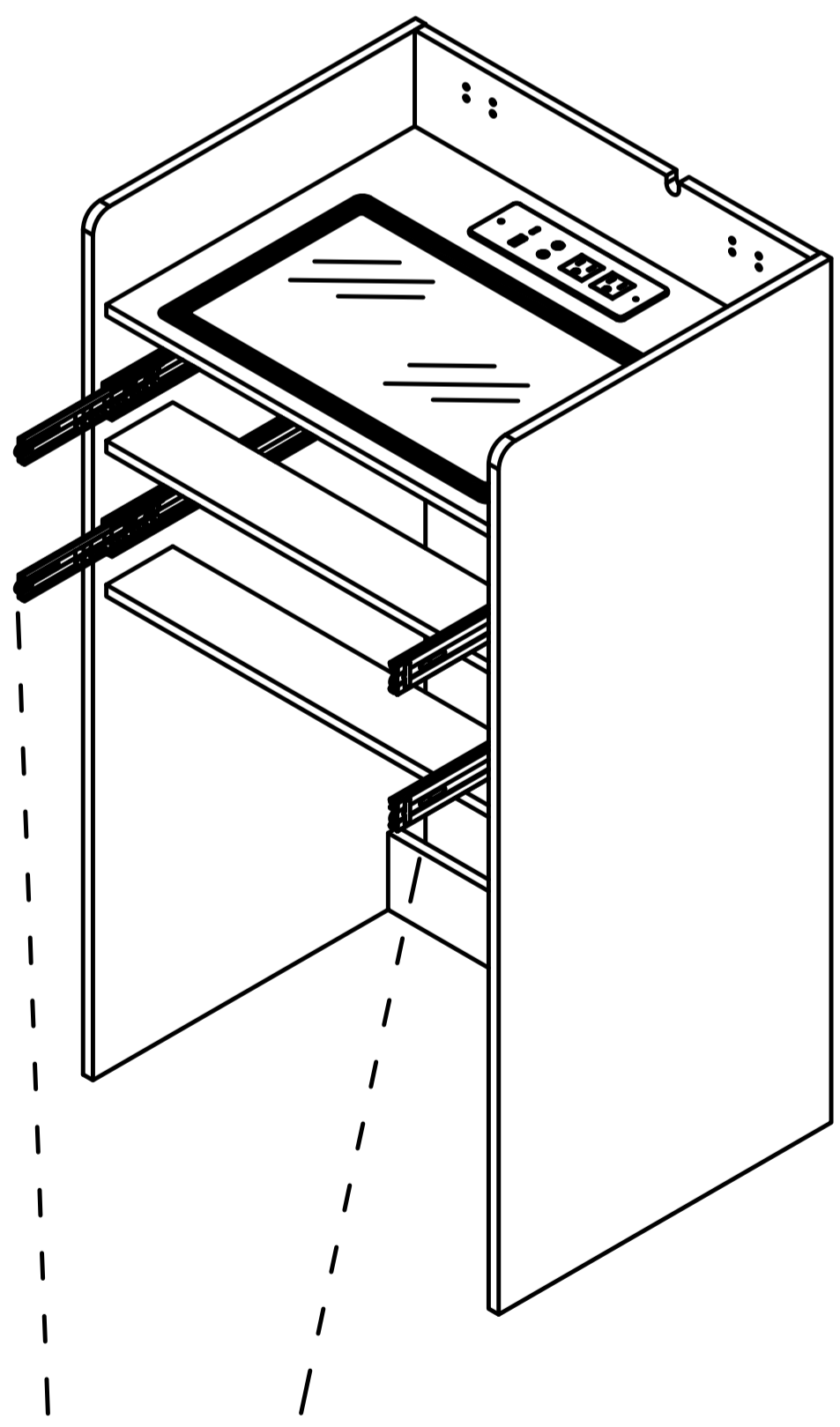
SY

Step 51

(B)  x 12

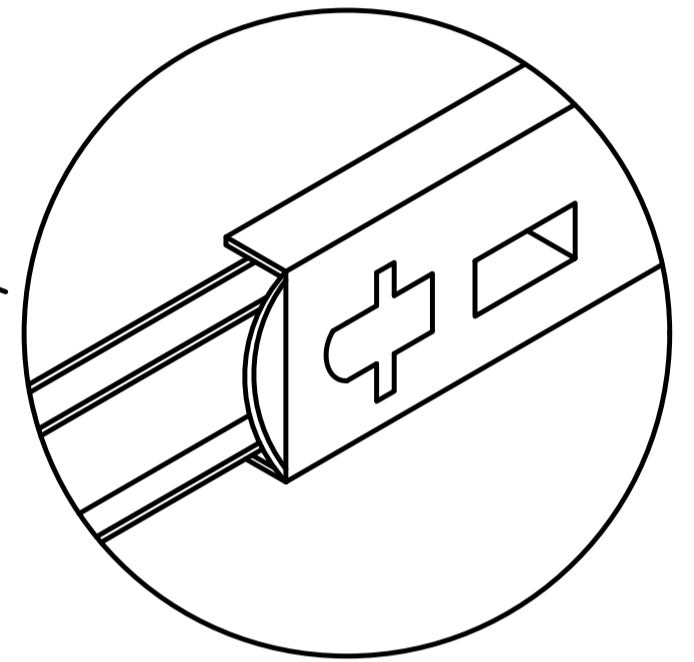
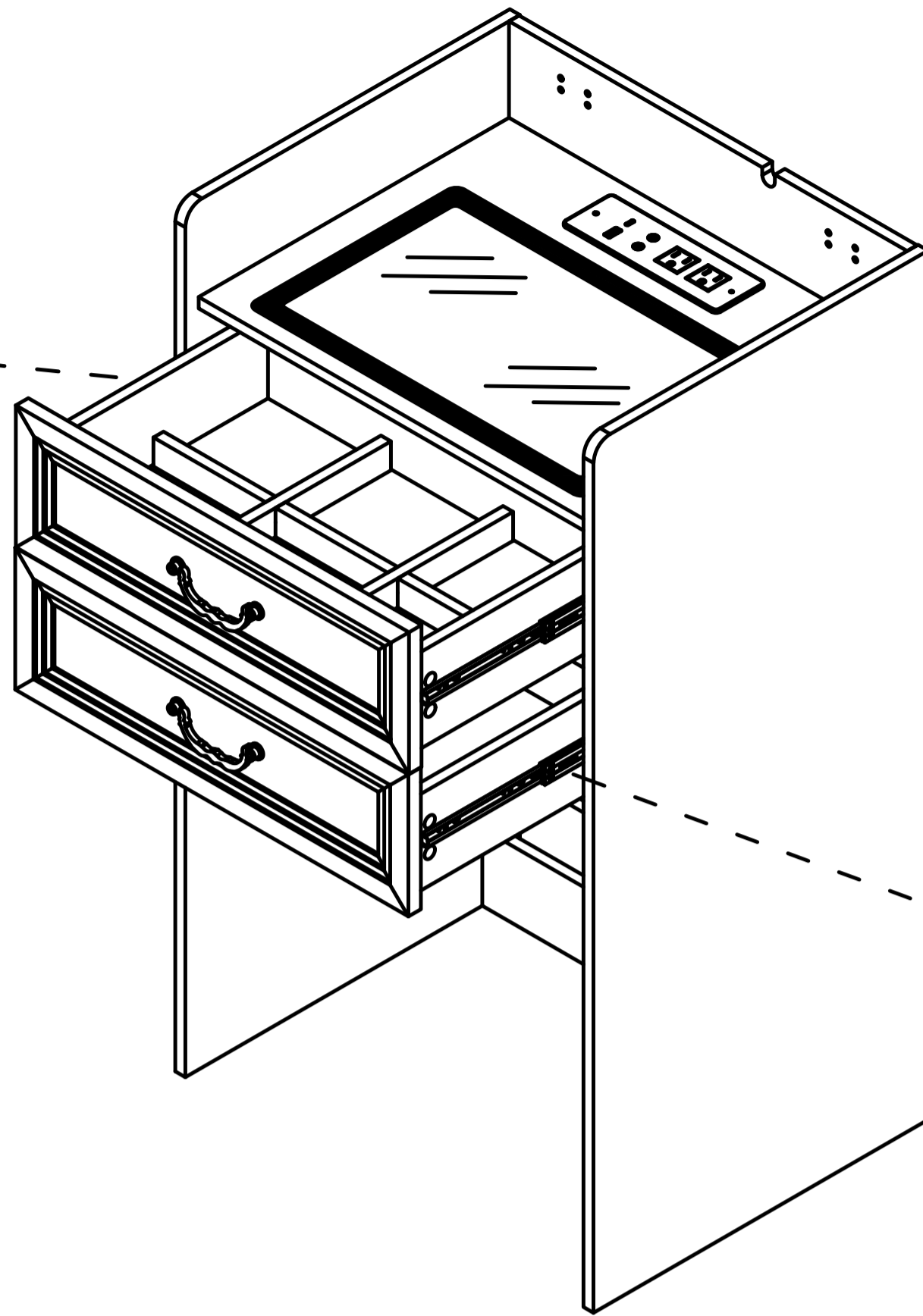
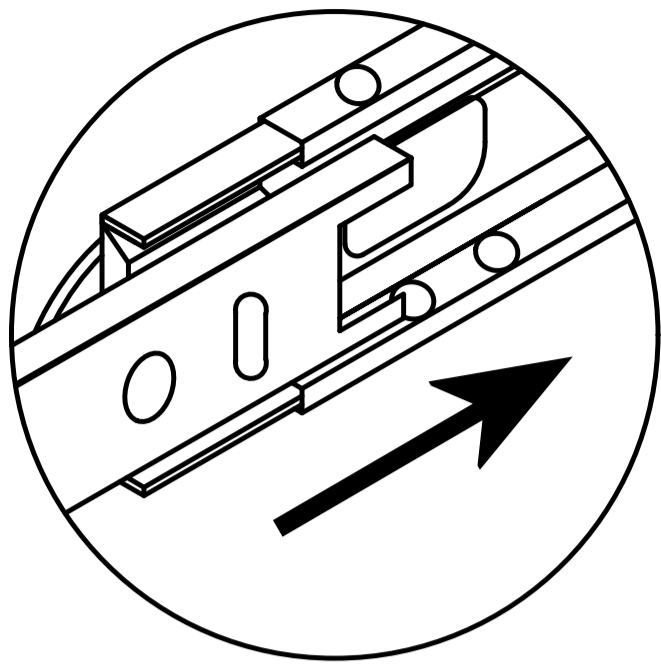


Step 52

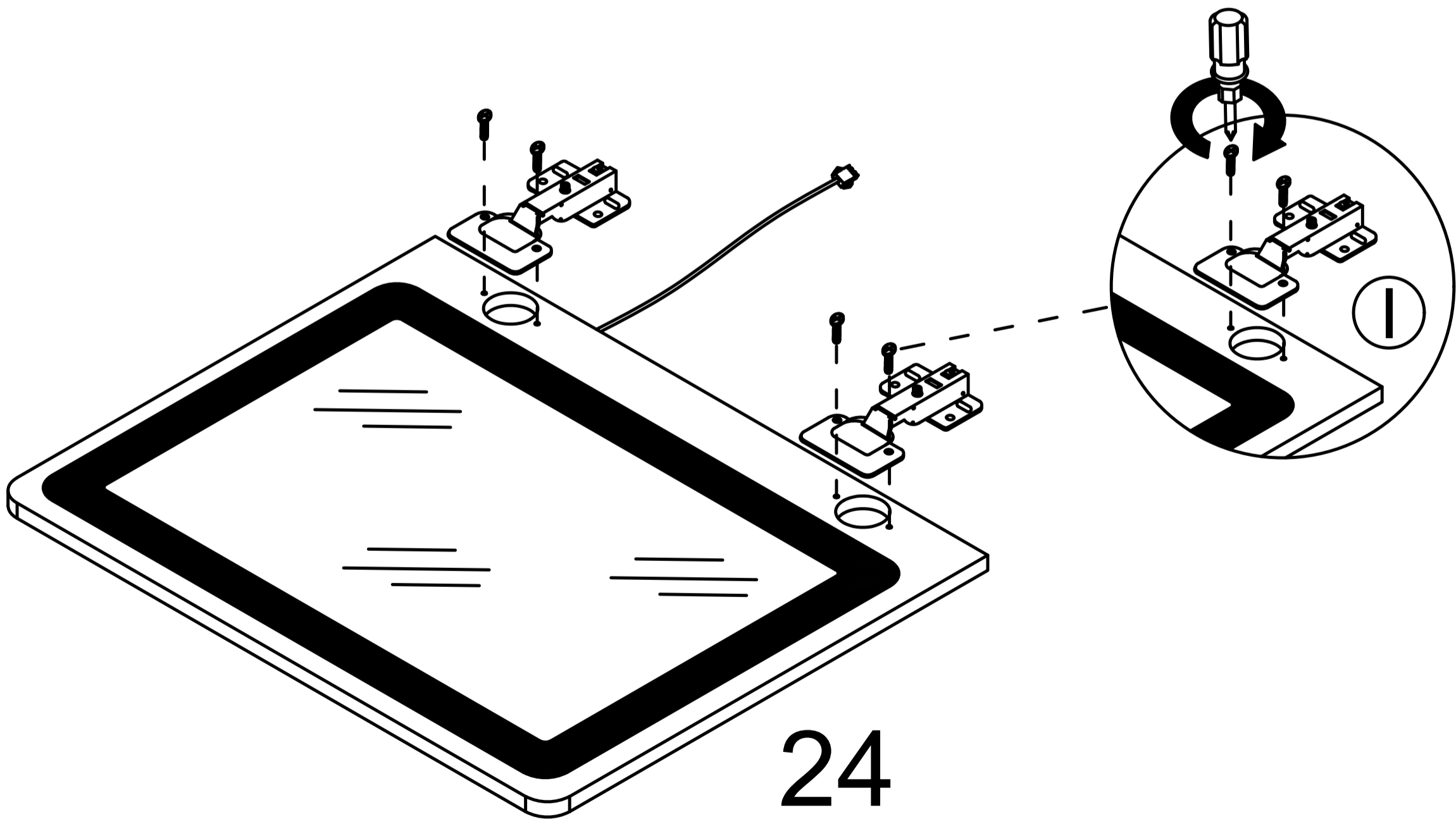
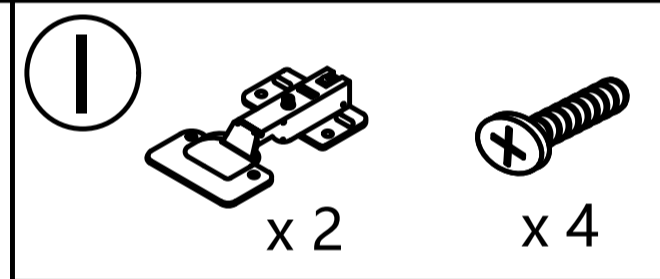


As shown, When installing the drawer, pull the guide rail out first, Slide beads are also pulled out.

Step 53

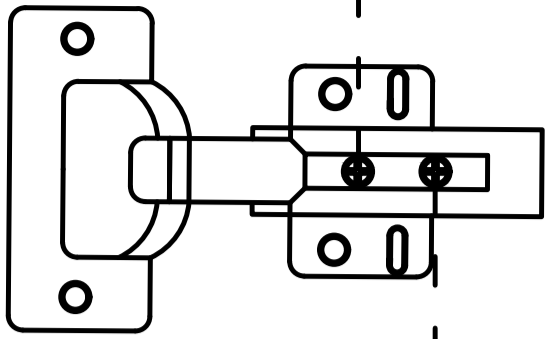


Step 54

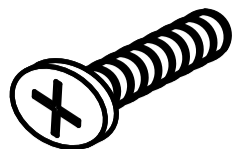
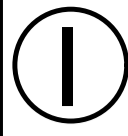


# Step 55

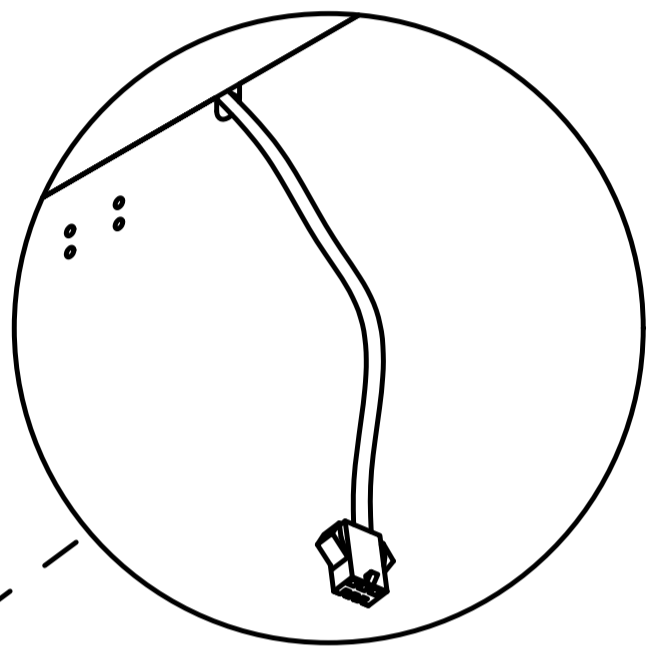
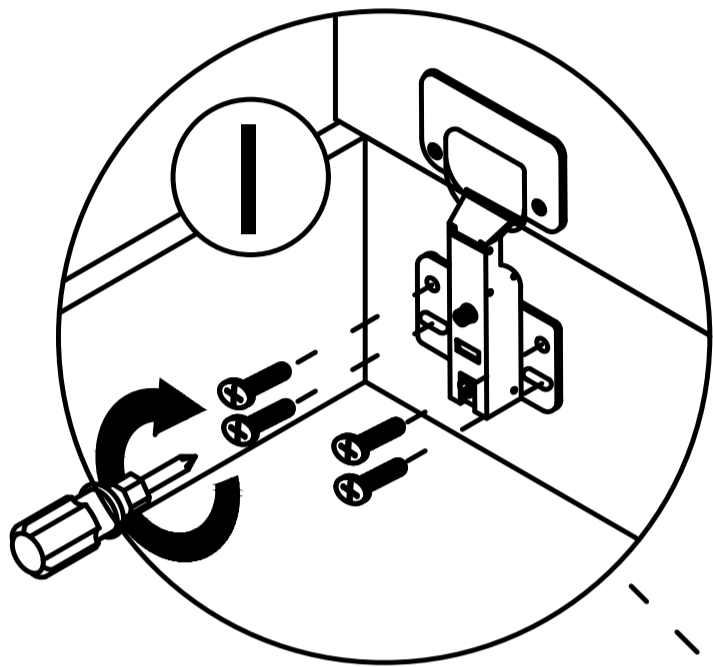
Turning this screw can effectively adjust the size of the door gap.



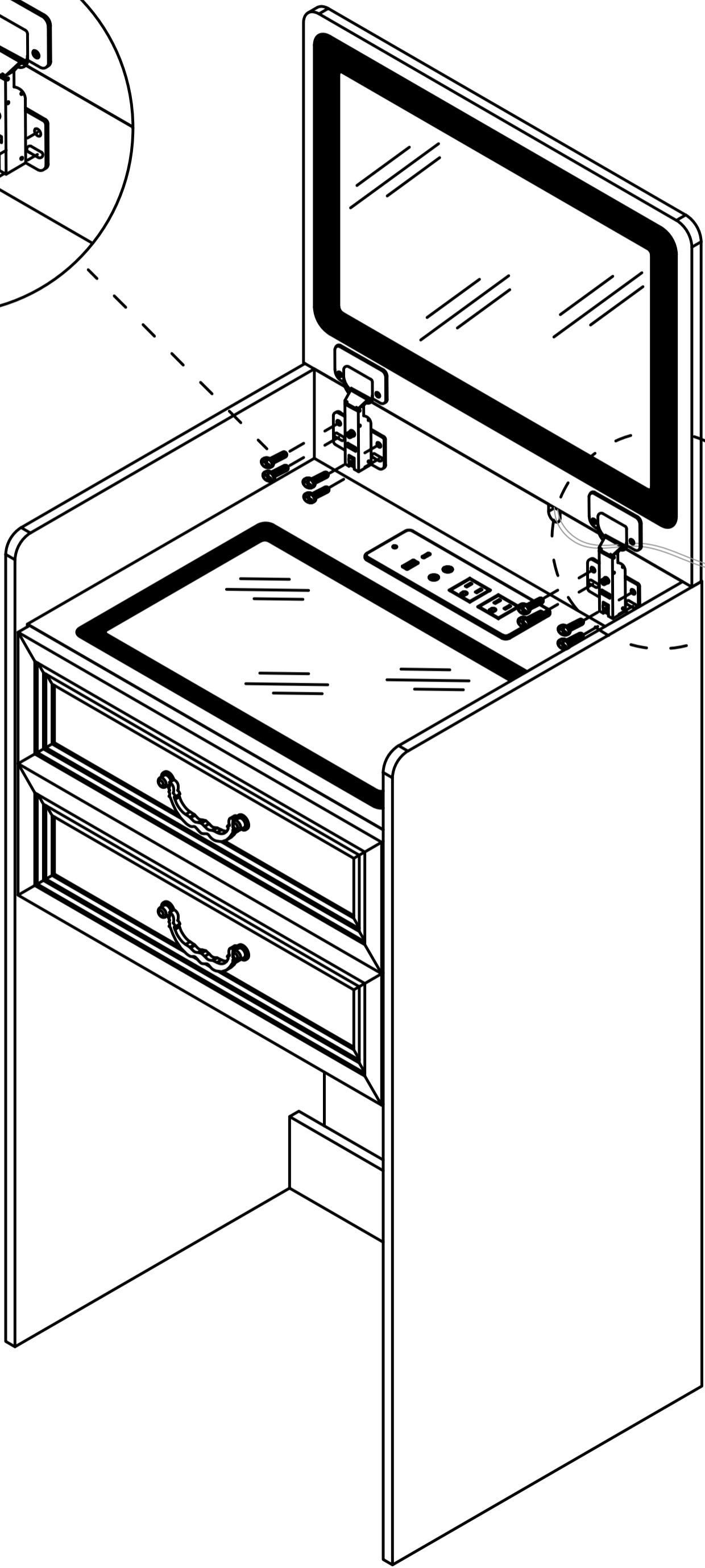
Turn this screw to adjust the doorpanel to be flat with the side panel.



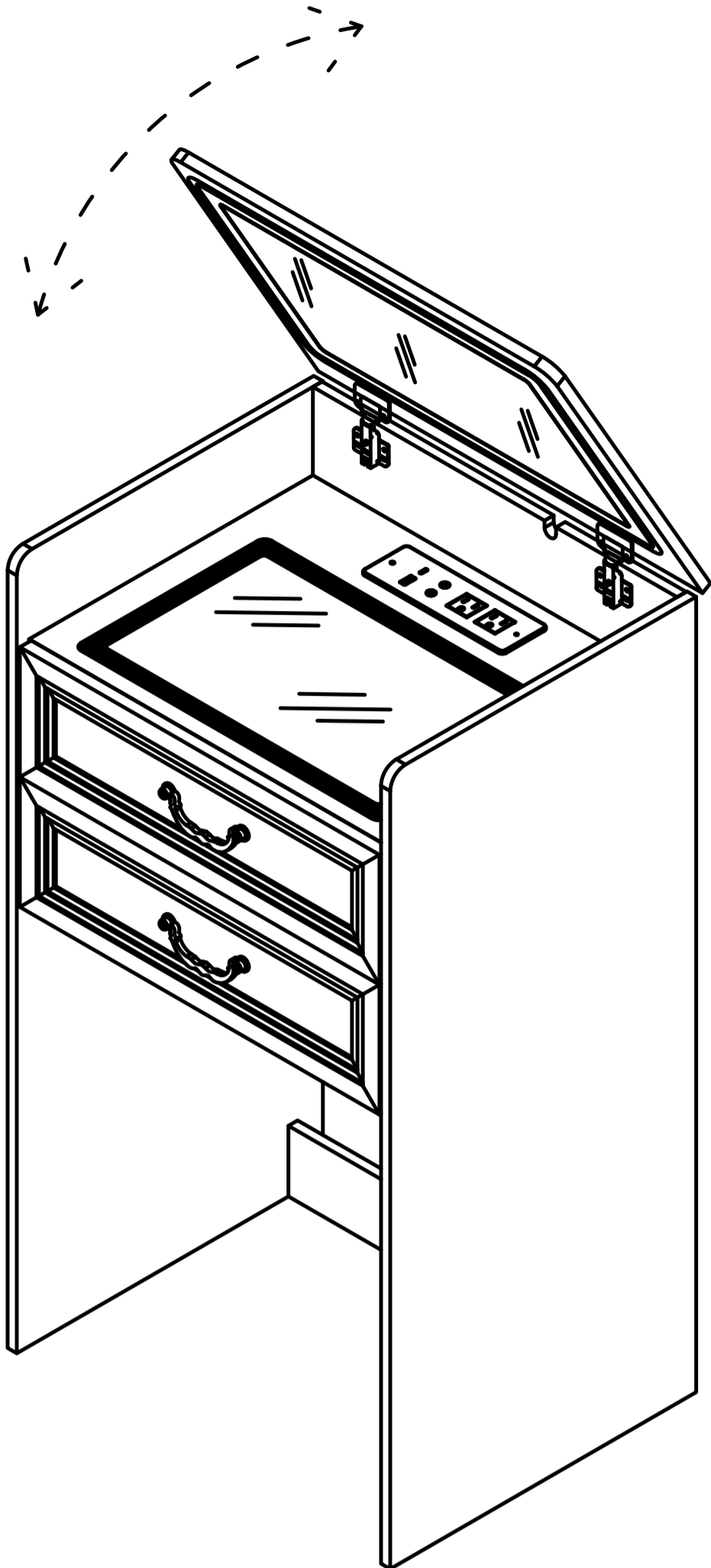
x 8



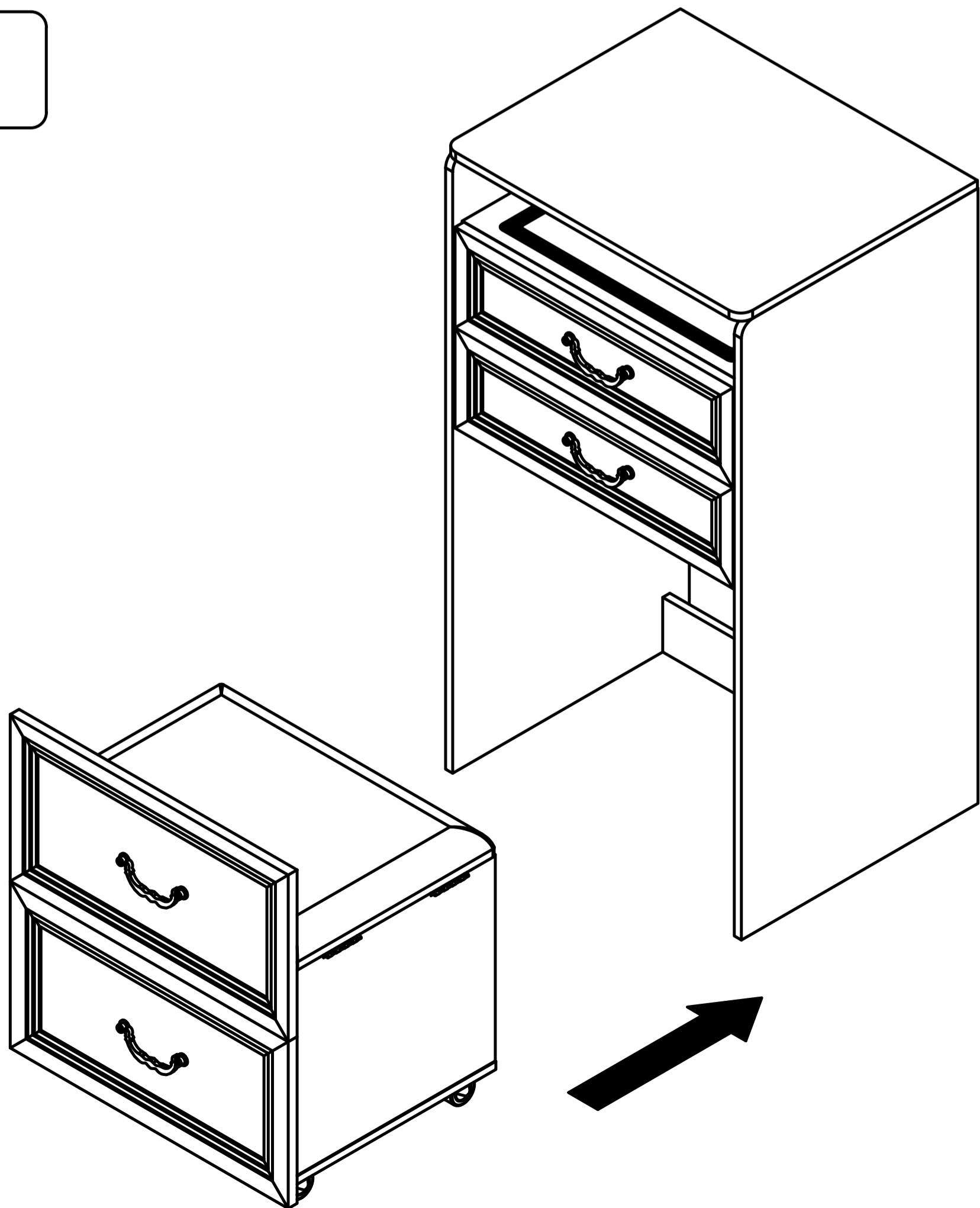
Thread the power cord through the U-hole



Step 56

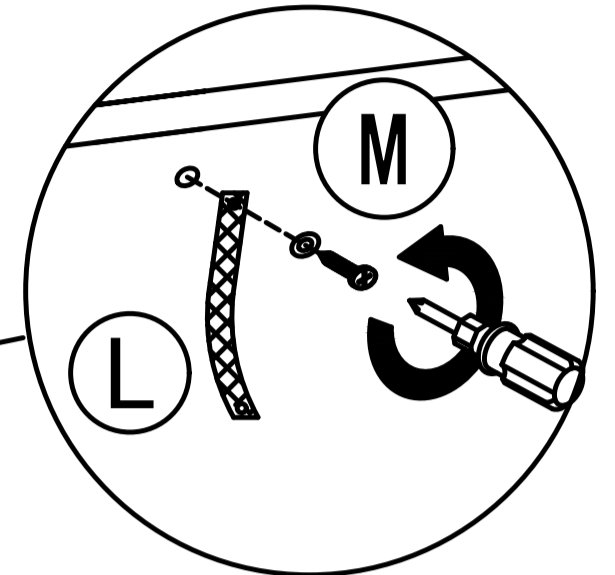
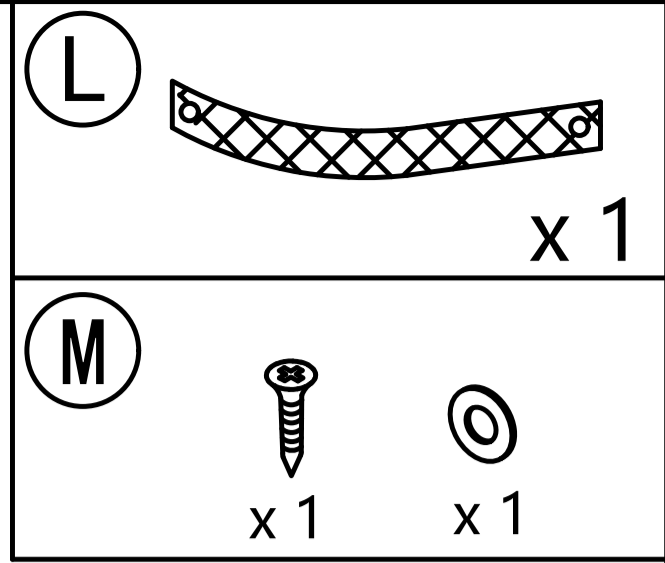
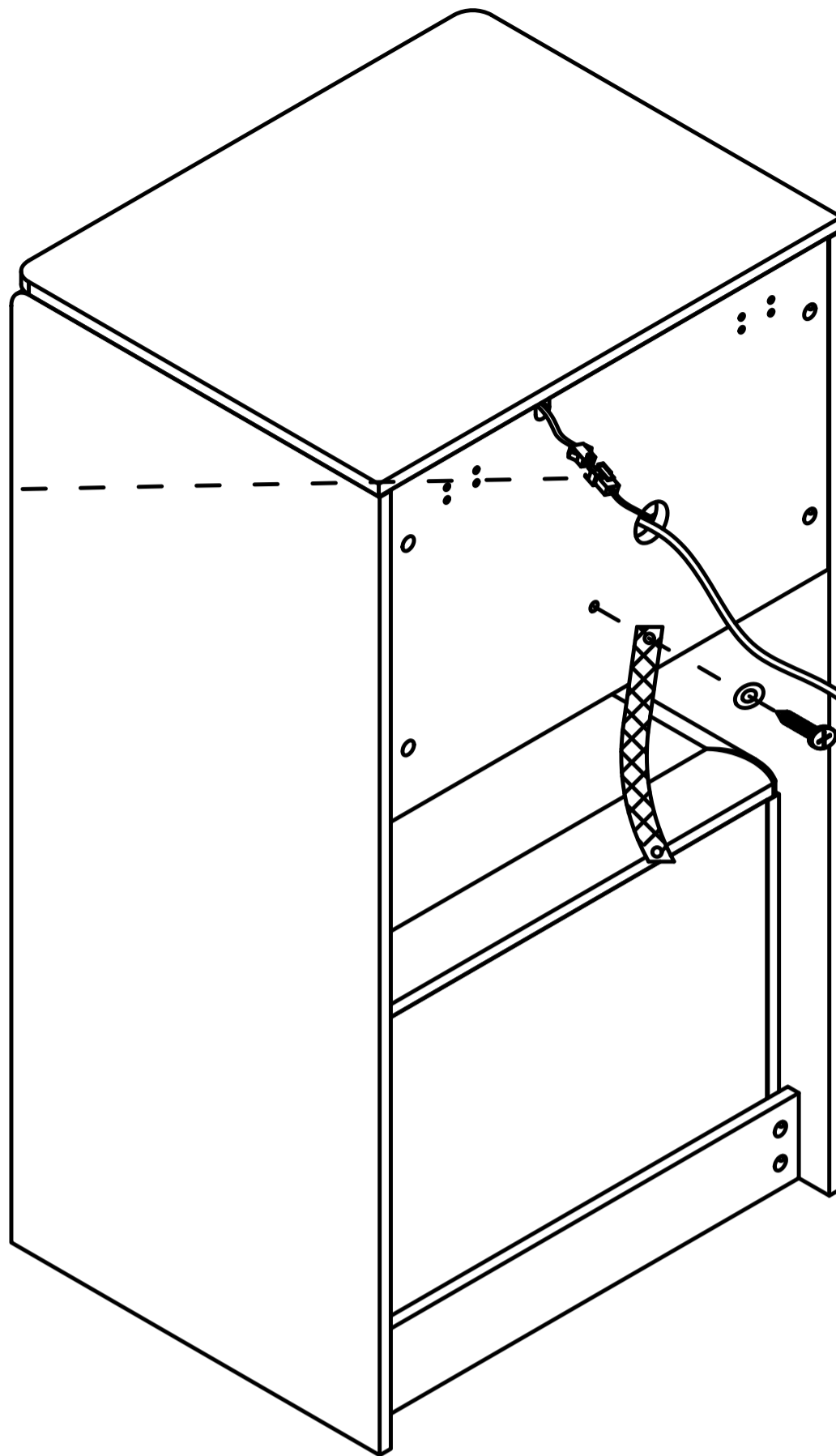
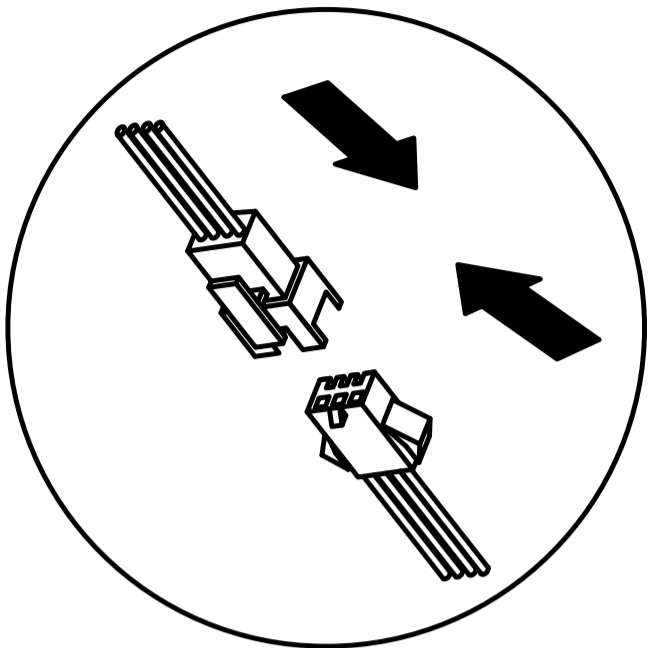


Step 57

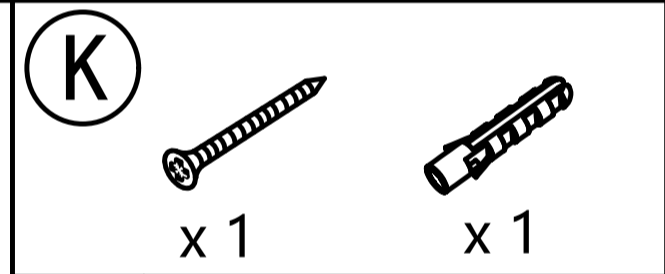
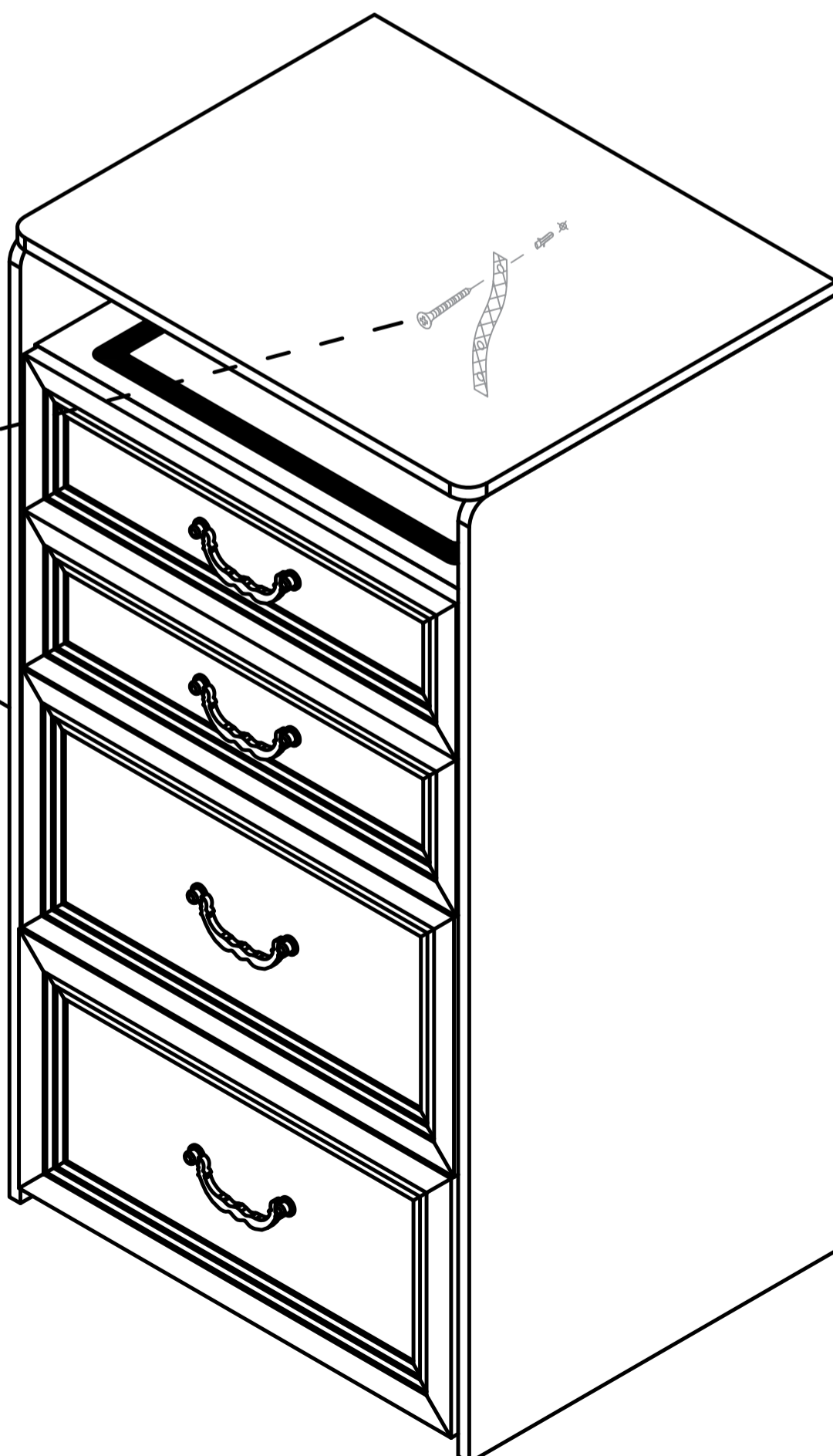
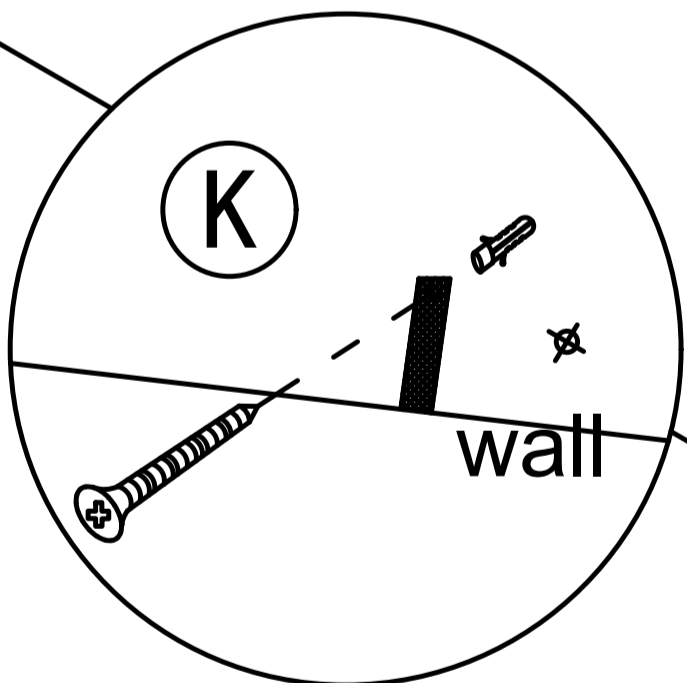


SY

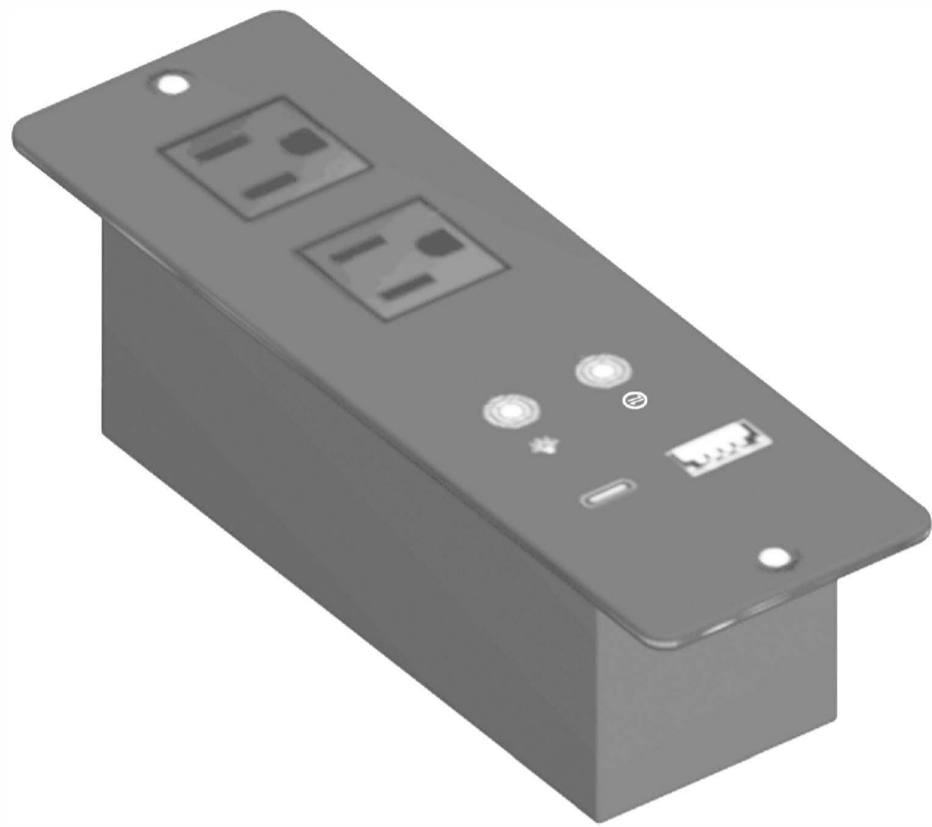
Step 58



Step 59



40



## User's Guide

A21

Thank you for purchasing this product.  
Please use if the product works normally after connecting to power.

## Introduction

The box is an intelligent controller.

It has 1 USB-A output port 1 Type-c output port and 2 socket.

With 2 touch buttons, it can turn ON/OFF the light, adjust the light luminance, and change light colors.

## Operation



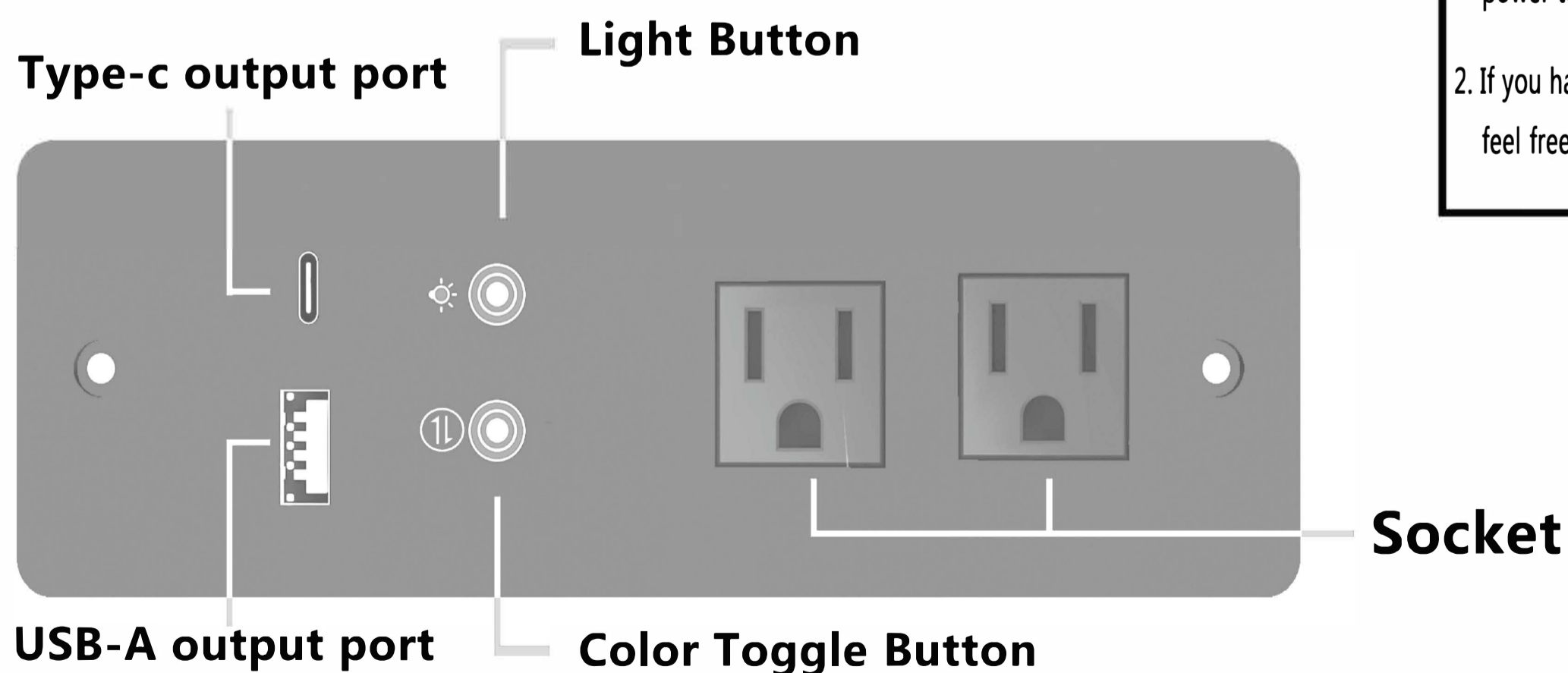
**This touch button is used to turn on/off, and adjust brightness.**

- A. Short touch ->lighting on ->short touch ->lighting off(It stays as it was before the last time the lights went out).
- B. Long touch -> adjust the luminance.



**This touch button is used to change colors.**

When the light is turned on, press this button to realize the three-color switching function , and this touch key is invalid when the light is not turned on.



### ATTENTION PLEASE

1. If there is no touch response suddenly, Re-plug the power to reset the touch static electricity.
2. If you have any questions when installing, please feel free to contact us. Thank you.