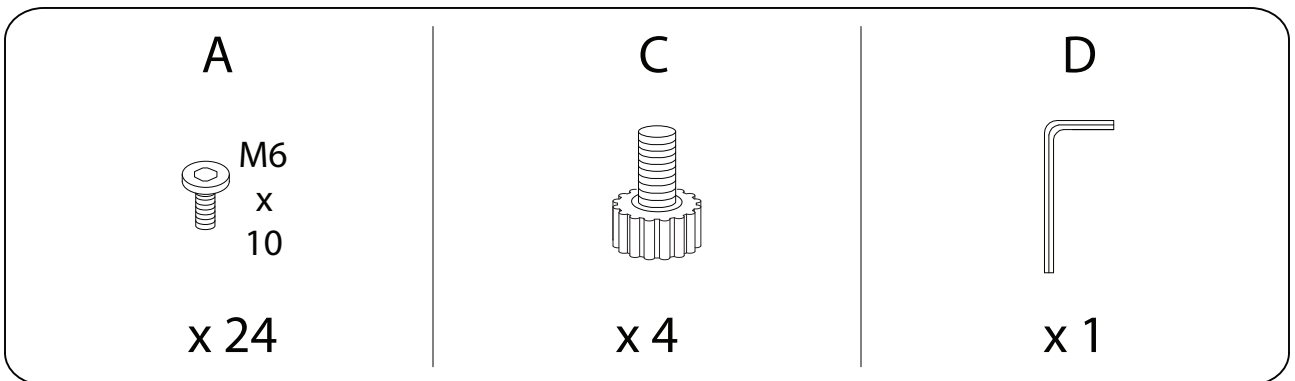
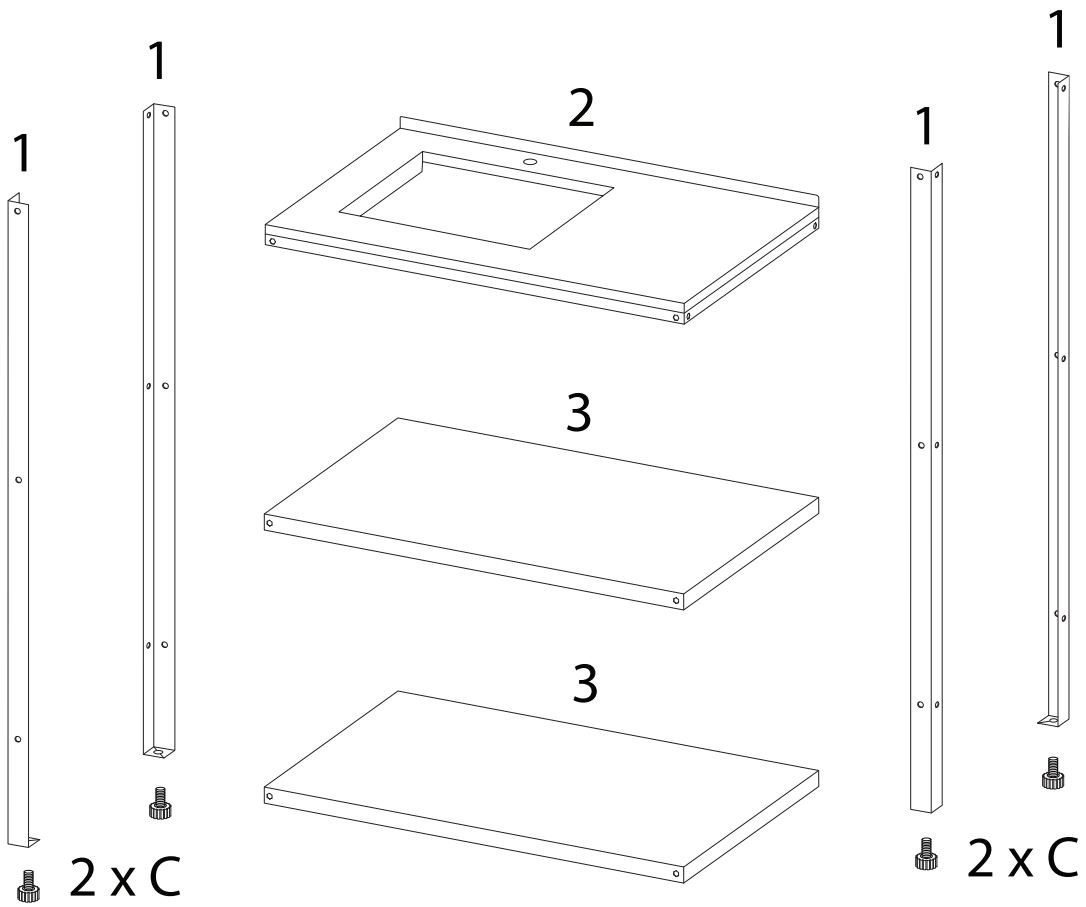
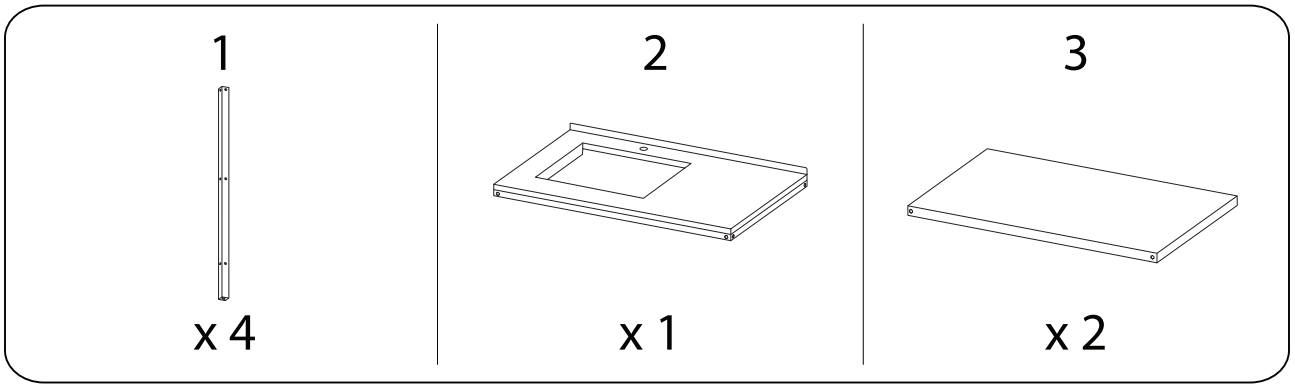


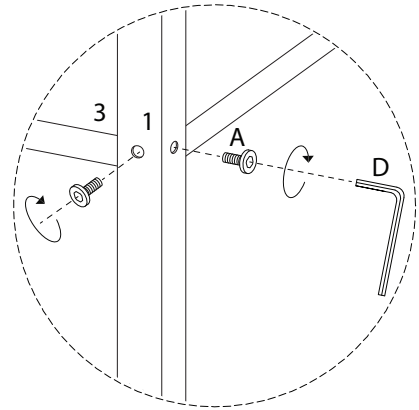
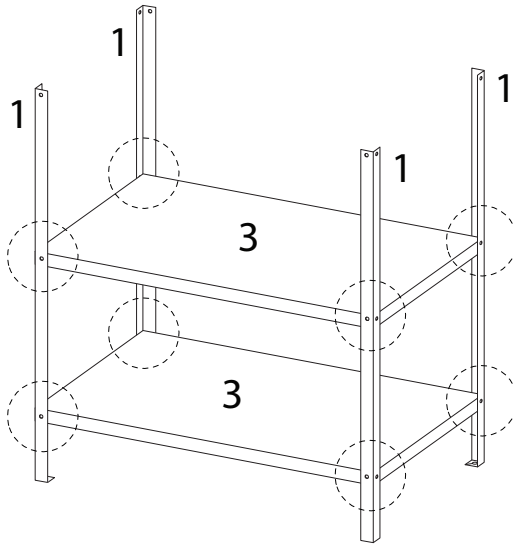
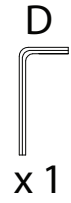
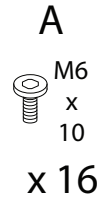
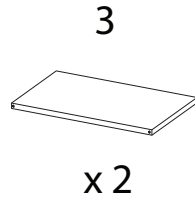
Diagram illustrating assembly instructions and safety warnings:

- Top Section:** Shows a circle containing a screwdriver and an Allen key, and a crossed-out power drill. A warning triangle with an exclamation mark is positioned to the right. Below this is a clock icon with the text "30'", indicating a 30-minute assembly time.
- Bottom Section:** Shows a circle containing a rectangular block being placed on a surface, and a crossed-out block being lifted. A warning triangle with an exclamation mark is positioned to the right. Below this is a person icon with the text "2", indicating that two people are required for assembly.

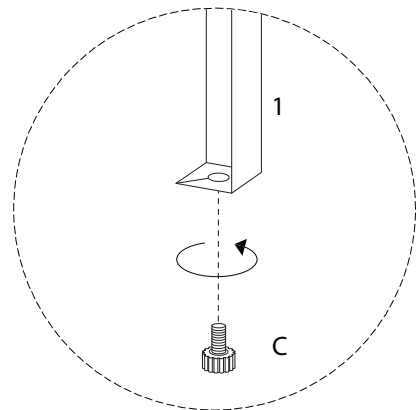
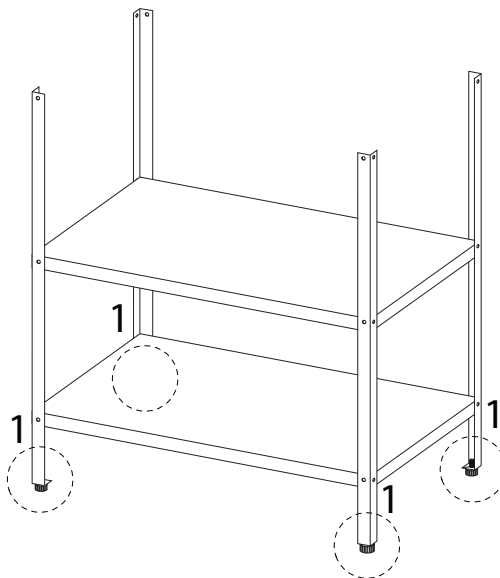
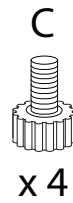
A



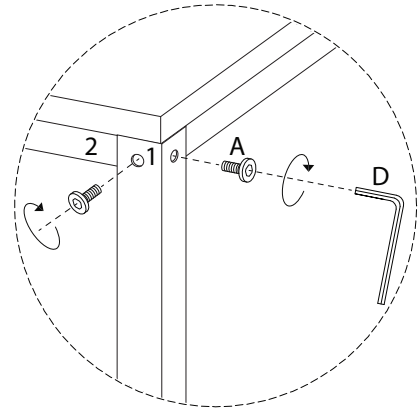
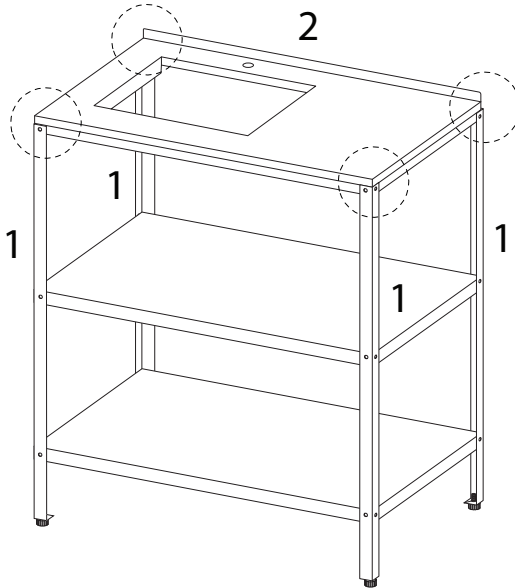
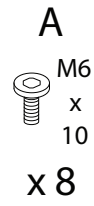
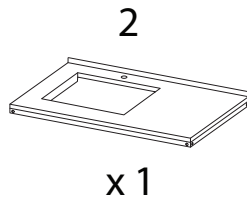
1



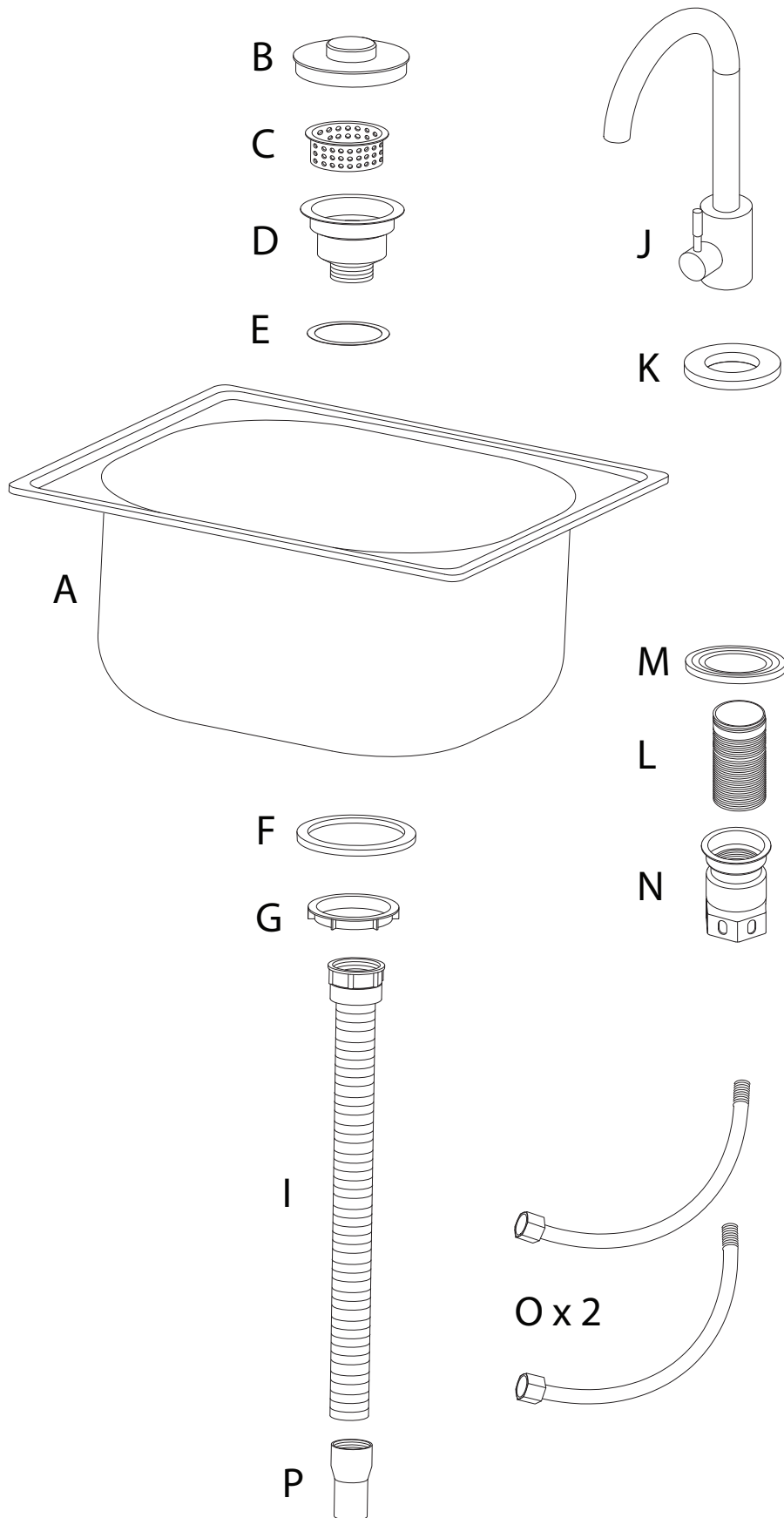
2

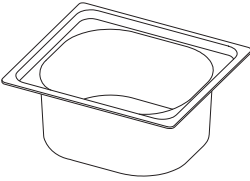
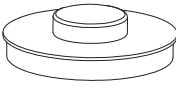
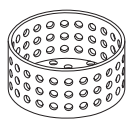
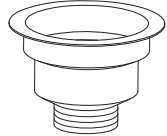



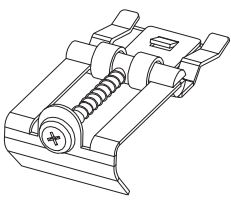
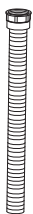
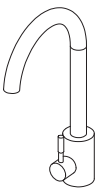
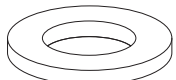
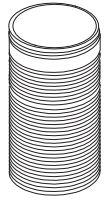

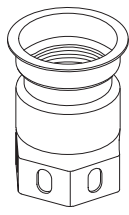
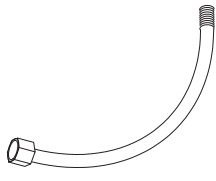
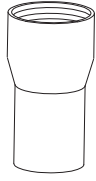


3

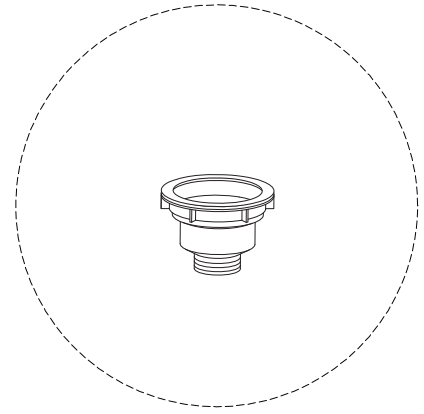
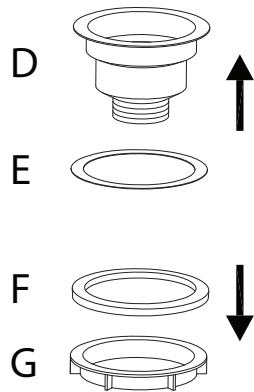


B

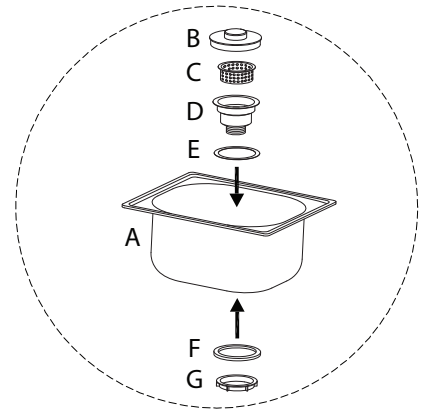
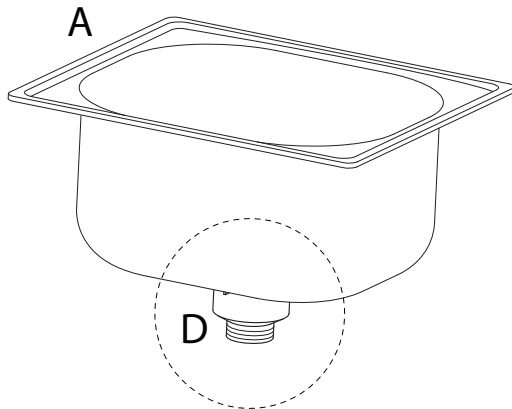
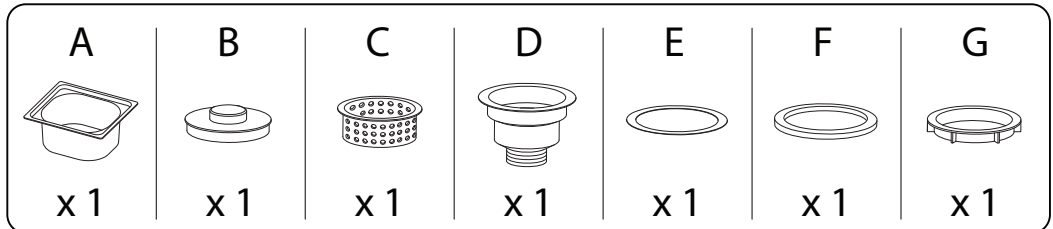


| | | | |
|---|---|--|---|
| <p>A</p>  <p>x 1</p> | <p>B</p>  <p>x 1</p> | <p>C</p>  <p>x 1</p> | <p>D</p>  <p>x 1</p> |
| <p>E</p>  <p>x 1</p> | <p>F</p>  <p>x 1</p> | <p>G</p>  <p>x 1</p> | <p>H</p>  <p>x 4</p> |
| <p>I</p>  <p>x 1</p> | <p>J</p>  <p>x 1</p> | <p>K</p>  <p>x 1</p> | <p>L</p>  <p>x 1</p> |
| <p>M</p>  <p>x 1</p> | <p>N</p>  <p>x 1</p> | <p>O</p>  <p>x 2</p> | <p>P</p>  <p>x 1</p> |

!

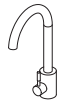


4



5

J



x 1

K



x 1

L

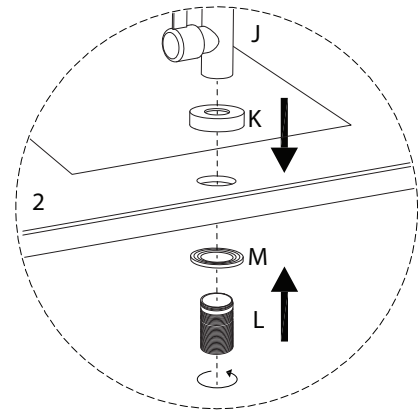
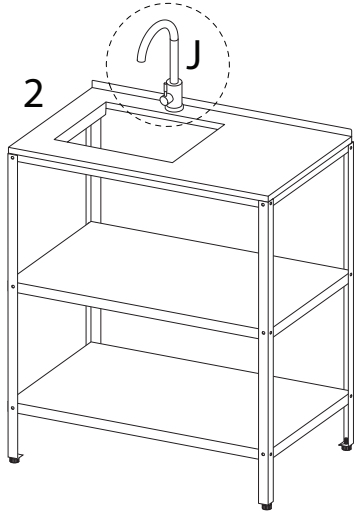


x 1

M



x 1



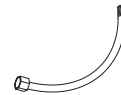
6

N

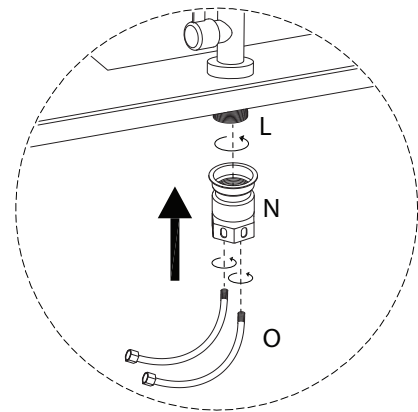
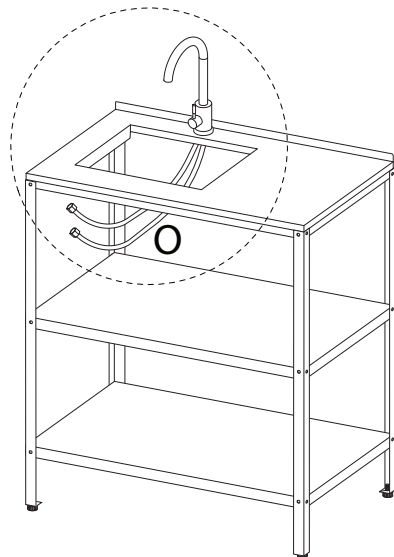


x 1

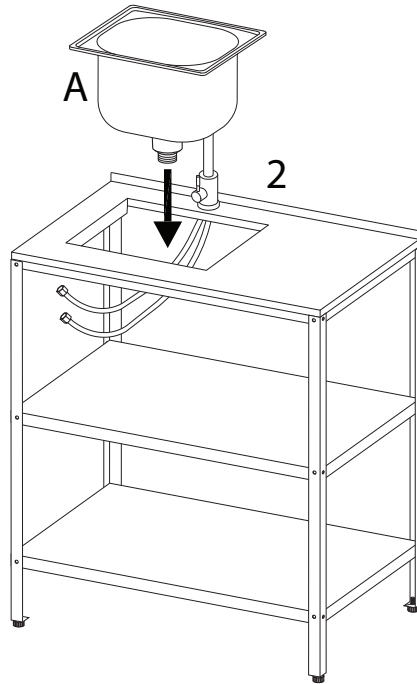
O



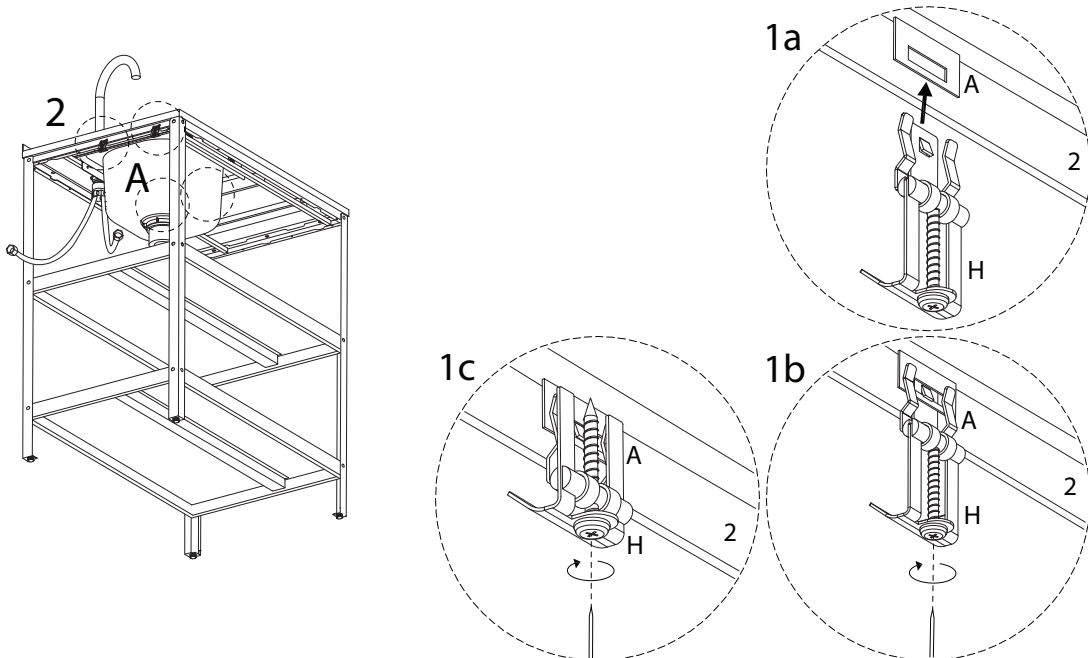
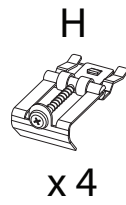
x 2



7



8



9

