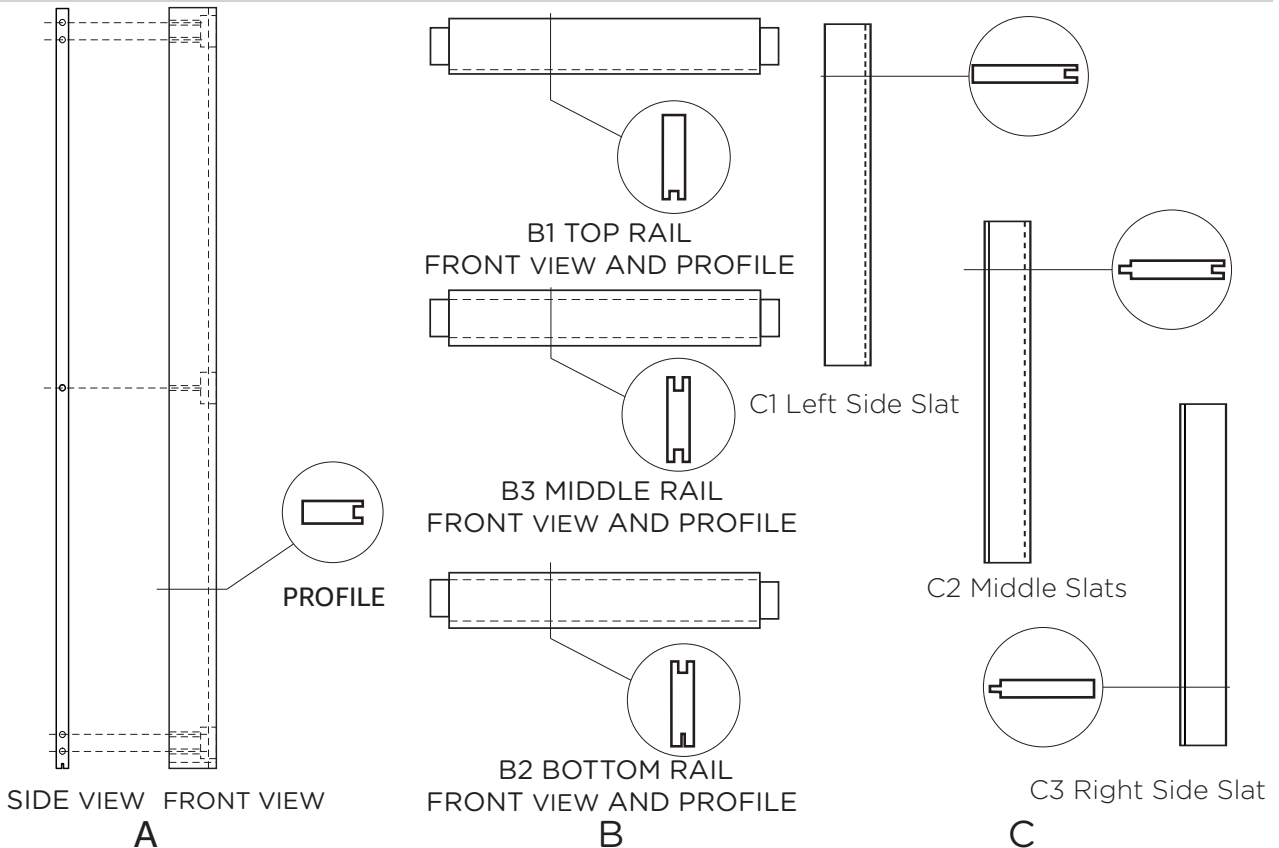


H/K Shape Barn Door Installation Instructions

CODE	PARTS	QTY
A	Side Stile	2
B1	Top Rail	1
B2	Bottom Rail	1
B3	Middle Rail	1
C1	Left Side Slat	2
C2	Middle Slats (Quantity depends on door's width refer to next page Asterisk column)	
C3	Right Side Slat	2
D1	Diagonal Overlay (Only used for K-Shape)	2
D2	Diagonal Overlay (Only used for K-Shape)	2
E	3.93" Carriage Bolts	10
F	Plastic CAP	10
G	Hex Key	1

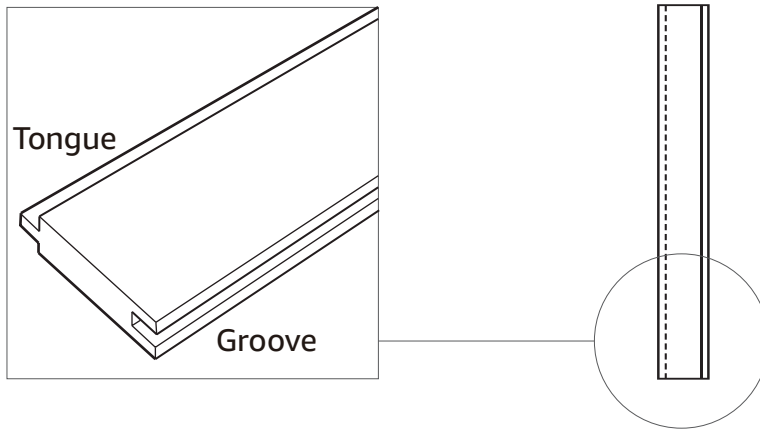
TIPS: Contact and Ask us anything! Email us at: help@bestbarndoor.com
We offer several sizes of boards, Let's look at them from different perspectives



Number of Parts in Different Door Sizes

Door Width (inch)	Shape	A Side Stile	B1 Top Rail	B2 Bottom Rail	B3 Middle Rail	C1 Left Side Slat	※C2※ Middle Slats	C3 Right Side Slat	D1 Diagonal Overlay	D2 Diagonal Overlay	E 3.5" Carriage Bolts	F Plastic CAP	G Hex Key
14	H	2	1	1	1	2	0	2	—	—	10	10	1
	K	2	1	1	1	2	0	2	2	2	10	10	1
16	H	2	1	1	1	2	0	2	—	—	10	10	1
	K	2	1	1	1	2	0	2	2	2	10	10	1
18	H	2	1	1	1	2	2	2	—	—	10	10	1
	K	2	1	1	1	2	2	2	2	2	10	10	1
20	H	2	1	1	1	2	2	2	—	—	10	10	1
	K	2	1	1	1	2	2	2	2	2	10	10	1
21	H	2	1	1	1	2	4	2	—	—	10	10	1
	K	2	1	1	1	2	4	2	2	2	10	10	1
22	H	2	1	1	1	2	4	2	—	—	10	10	1
	K	2	1	1	1	2	4	2	2	2	10	10	1
24	H	2	1	1	1	2	4	2	—	—	10	10	1
	K	2	1	1	1	2	4	2	2	2	10	10	1
26	H	2	1	1	1	2	6	2	—	—	10	10	1
	K	2	1	1	1	2	6	2	2	2	10	10	1
28	H	2	1	1	1	2	6	2	—	—	10	10	1
	K	2	1	1	1	2	6	2	2	2	10	10	1
30	H	2	1	1	1	2	4	2	—	—	10	10	1
	K	2	1	1	1	2	4	2	2	2	10	10	1
32	H	2	1	1	1	2	4	2	—	—	10	10	1
	K	2	1	1	1	2	4	2	2	2	10	10	1
34	H	2	1	1	1	2	6	2	—	—	10	10	1
	K	2	1	1	1	2	6	2	2	2	10	10	1
36	H	2	1	1	1	2	6	2	—	—	10	10	1
	K	2	1	1	1	2	6	2	2	2	10	10	1
38	H	2	1	1	1	2	6	2	—	—	10	10	1
	K	2	1	1	1	2	6	2	2	2	10	10	1
40	H	2	1	1	1	2	8	2	—	—	10	10	1
	K	2	1	1	1	2	8	2	2	2	10	10	1
42	H	2	1	1	1	2	8	2	—	—	10	10	1
	K	2	1	1	1	2	8	2	2	2	10	10	1
44	H	2	1	1	1	2	8	2	—	—	10	10	1
	K	2	1	1	1	2	8	2	2	2	10	10	1
46	H	2	1	1	1	2	10	2	—	—	10	10	1
	K	2	1	1	1	2	10	2	2	2	10	10	1
48	H	2	1	1	1	2	10	2	—	—	10	10	1
	K	2	1	1	1	2	10	2	2	2	10	10	1
50	H	2	1	1	1	2	10	2	—	—	10	10	1
	K	2	1	1	1	2	10	2	2	2	10	10	1
52	H	2	1	1	1	2	12	2	—	—	10	10	1
	K	2	1	1	1	2	12	2	2	2	10	10	1
54	H	2	1	1	1	2	12	2	—	—	10	10	1
	K	2	1	1	1	2	12	2	2	2	10	10	1
56	H	2	1	1	1	2	12	2	—	—	10	10	1
	K	2	1	1	1	2	12	2	2	2	10	10	1
58	H	2	1	1	1	2	14	2	—	—	10	10	1
	K	2	1	1	1	2	14	2	2	2	10	10	1
60	H	2	1	1	1	2	14	2	—	—	10	10	1
	K	2	1	1	1	2	14	2	2	2	10	10	1

What Is Tongue and Groove?

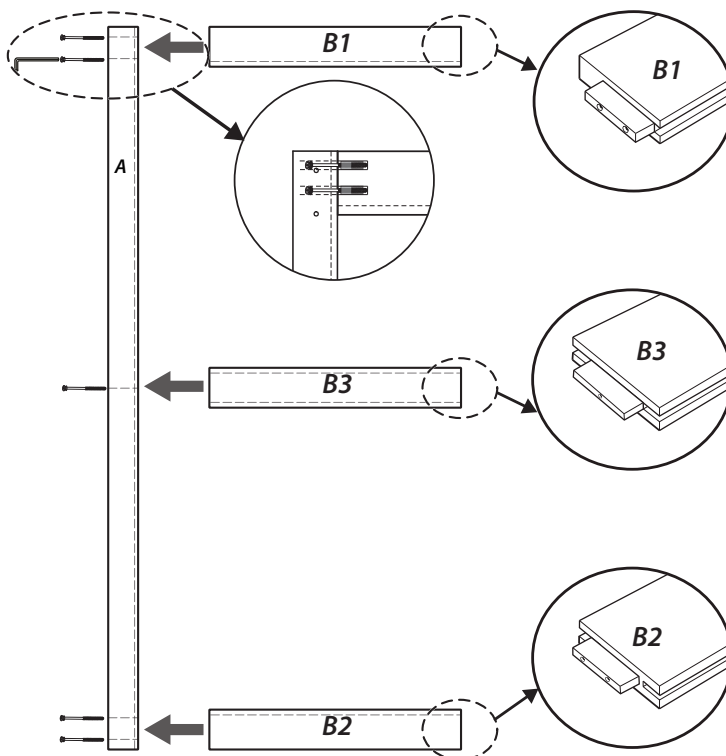


Tongue refers to the extending ridge beyond the main portion of the slat or stile.
Groove refers to the slot cut into the other side of the slat or stile.

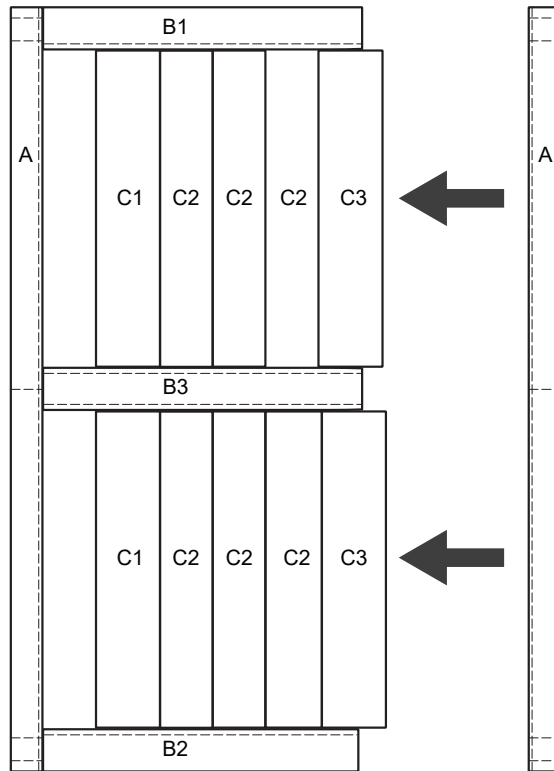
Installation Steps:

The following installation steps take a door with a width of **36"** as an example.
Please refer to the **[Number of Parts in Different Door Sizes]** for doors of different sizes

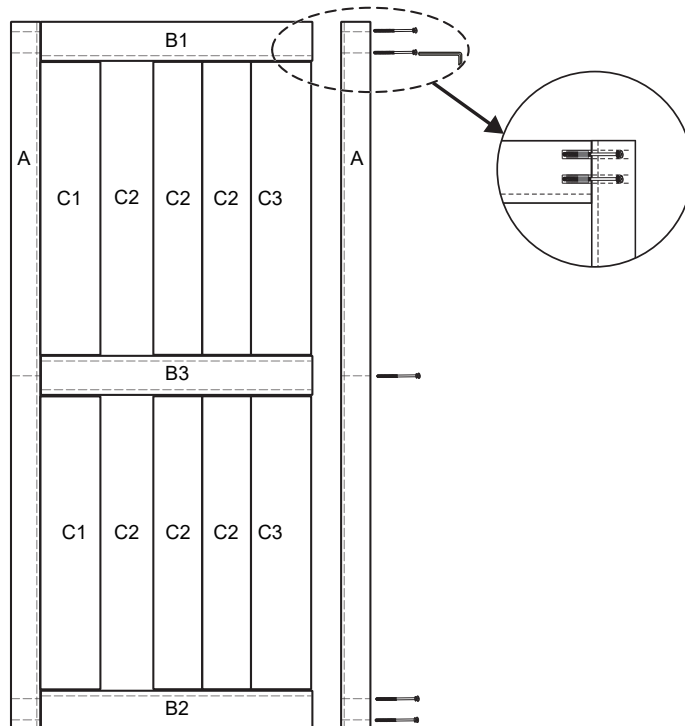
1. On a flat, clean surface, lay out one side stile (A1) with the groove facing to the right. Assemble top rail (B1), middle rail (B3) and bottom rail (B2) to A by fitting the tongue into the groove of A.



- Assemble the left side slat (C1) with the groove facing right.
Lay all middle slats (C2) next to C1 with the groove facing right.
Lay the right side slat (C3) to the right of the last C2 with the tongue facing left.

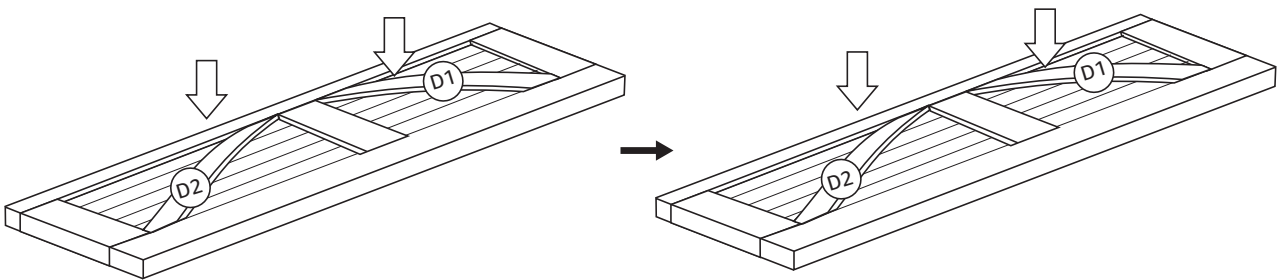


- Place the right side stile (A) beside the assembled slats and rails with groove facing left. Slide to the left to cover the top and bottom rail tongues and the edge of the slat assembly. Insert carriage bolts into holes on the right side of A, use hey key to fasten carriage bolts to the pre-installed anchors in B1, B3 and B2.



*If your door is **H-shaped**, then your door has already been installed. You can directly browse the instructions on track installation on the next page.
If your door is **K-shaped**, please read the following steps to continue the installation.

- 4.** Diagonal overlays (D1/D2) are used for decoration by pasting on the surface with double-sided adhesive.
Remove the protection paper of adhesive on back of D1/D2 and flip D1/D2.
Place the two ends of D1/D2 on the assembled door surface first. The middle of D1/D2 will be arched.
Push down the middle of D1/D2 to the surface. The diagonal overlay will stick to the surface sturdy.
Turn the door over, Repeat the former step to install D1/D2 on the other side.



- 5.** Insert plastic cap (F) into holes on the side of side stile (A) to complete the installation.

