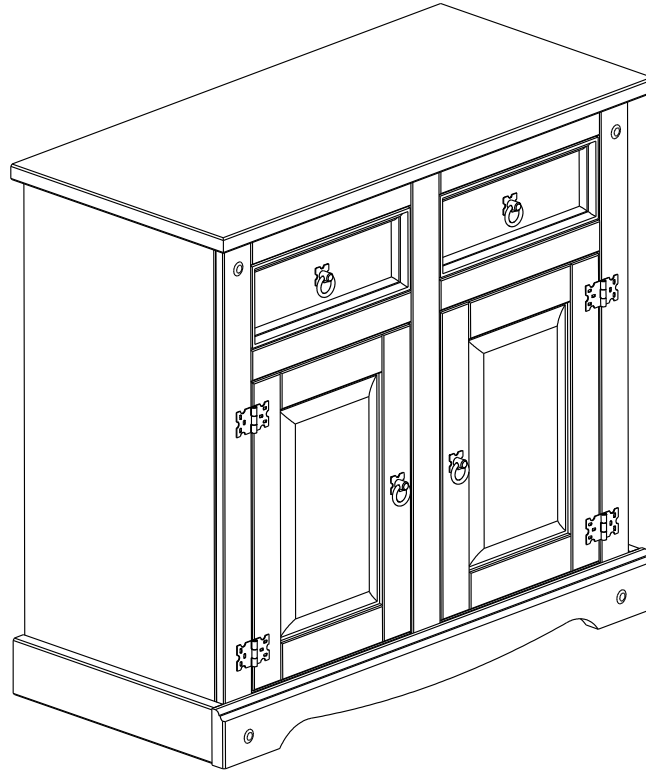


3' Buffet Hutch Base

ASSEMBLY INSTRUCTIONS



FOR DOMESTIC USE ONLY

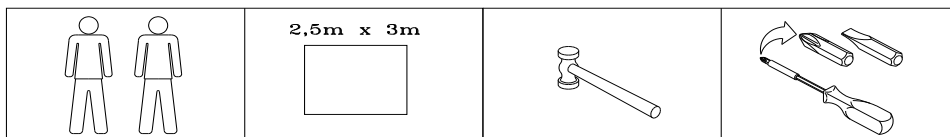
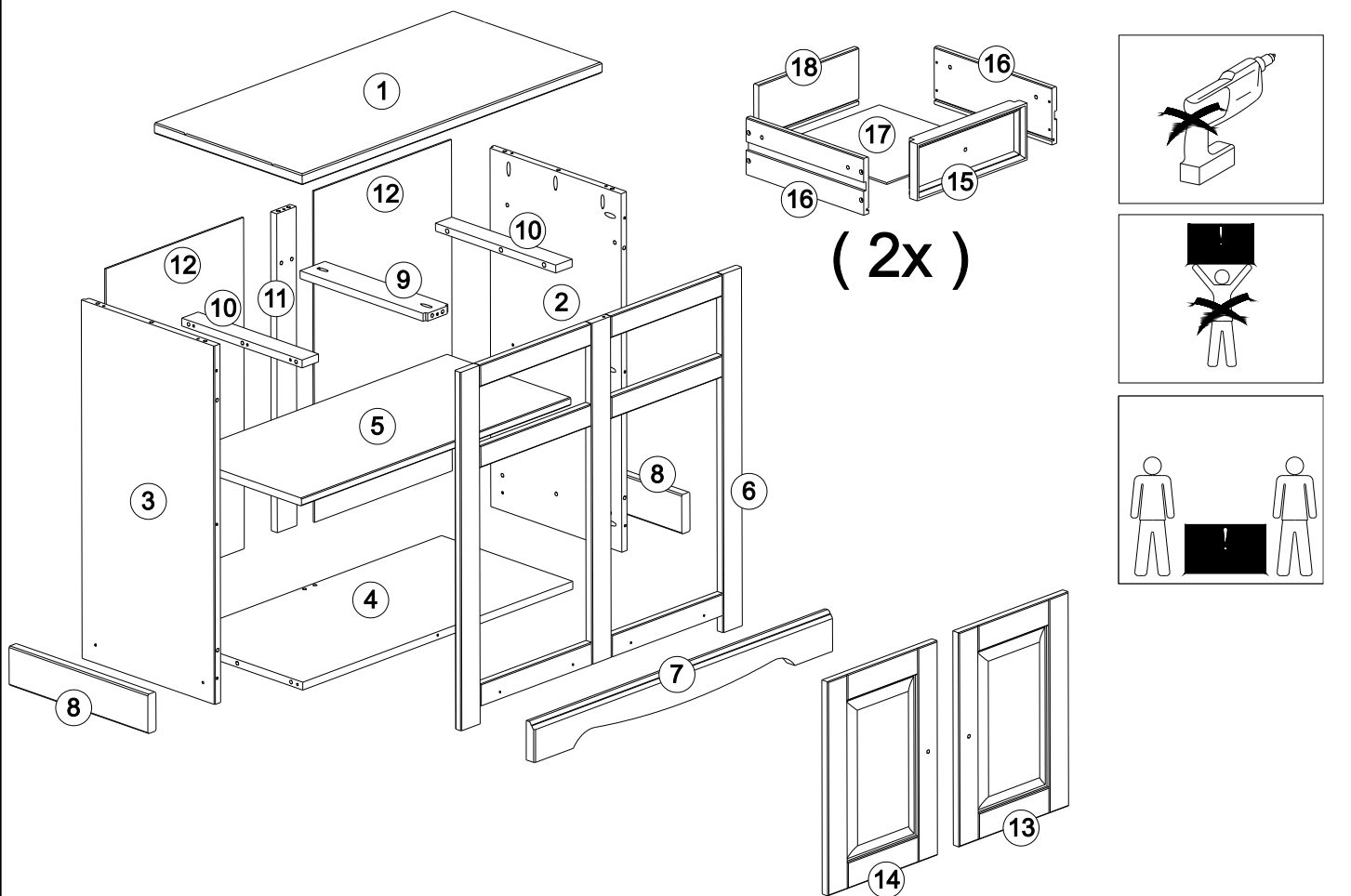
IMPORTANT

PLEASE READ BEFORE YOU CONTINUE FURTHER

CARE AND MAINTENANCE

After unpacking this product please keep the original packaging in case it needs to be returned for any reason.

- Please ensure all fittings and parts are present before commencing with assembly.
- We recommend that you lay a blanket or sheet on the floor to avoid damage to both your floor and the product.
- We strongly recommend that you keep children away from your work area.
- Assemble this product as close to its final position as possible.
- Never drag or push products as this could cause damage to the joints making it inferior.
- Do not place this product next to a radiator or in direct sunlight.
- Wood is a natural product and may expand if subjected to damp and may shrink or crack if subjected to heat. Therefore it is recommended that room temperature is maintained, with no sudden temperature fluctuations.
- Make sure any spillage is wiped off immediately.
- Do not place hot or chilled items directly on to the surface, use a place mat or marking will occur.
- For general cleaning use a duster, and do not use detergents of any kind. However, the surface will need to be retreated from time to time. This can be done by using block wax (unperfumed) and rubbing it over the whole item.
- From time to time it may be necessary to tighten fittings, regular inspections should be carried out.



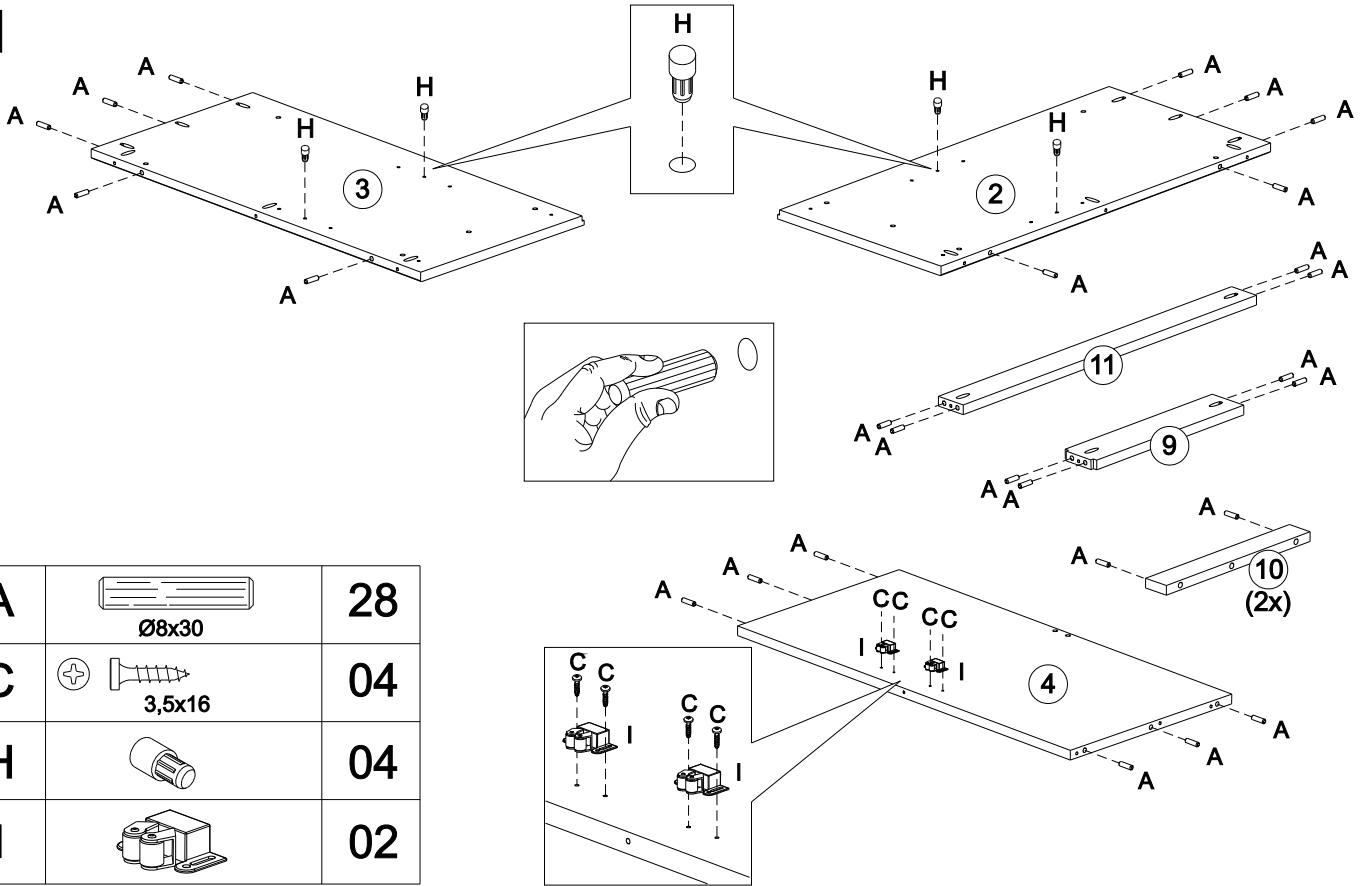
PARTS LIST

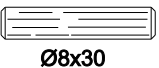
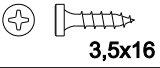

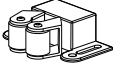
1	Top panel	01	7	Front plinth	01	13	Right door	01
2	Right side panel	01	8	Side plinth	02	14	Left door	01
3	Left side panel	01	9	Centre drawer runner	01	15	Drawer front	02
4	Base	01	10	Side drawer runner	02	16	Drawer side	04
5	Shelf	01	11	Back crossbeam	01	17	Drawer bottom	02
6	Front frame	01	12	Back panel	02	18	Drawer back	02

FITTINGS

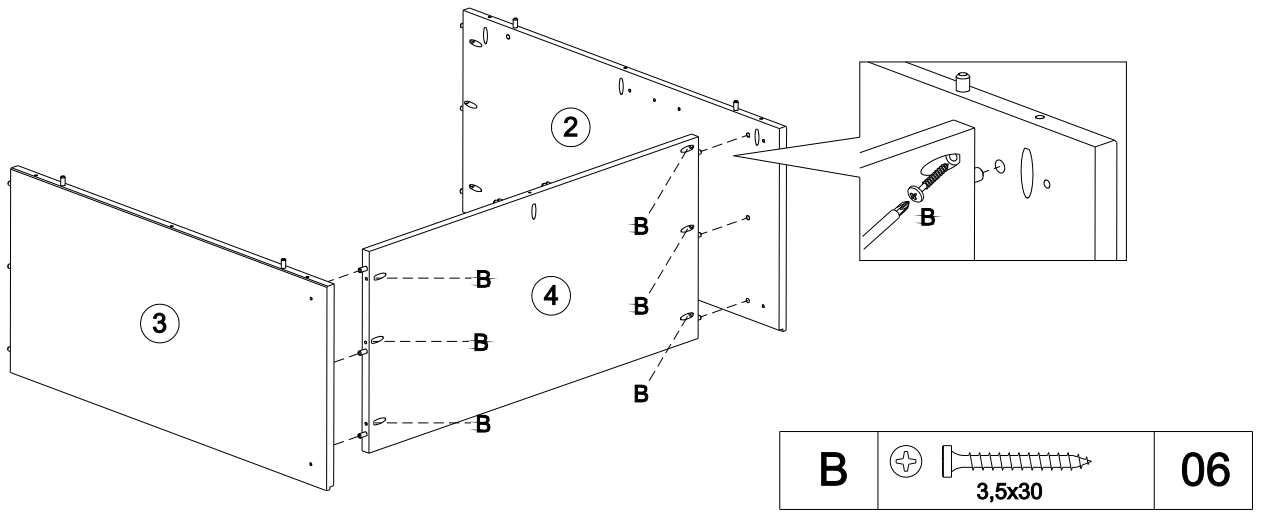
A		32	E		04	I		02
B		38	F		04	J		02
C		32	G		32	K		16
D		04	H		04	L		01

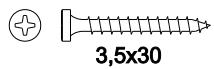
01



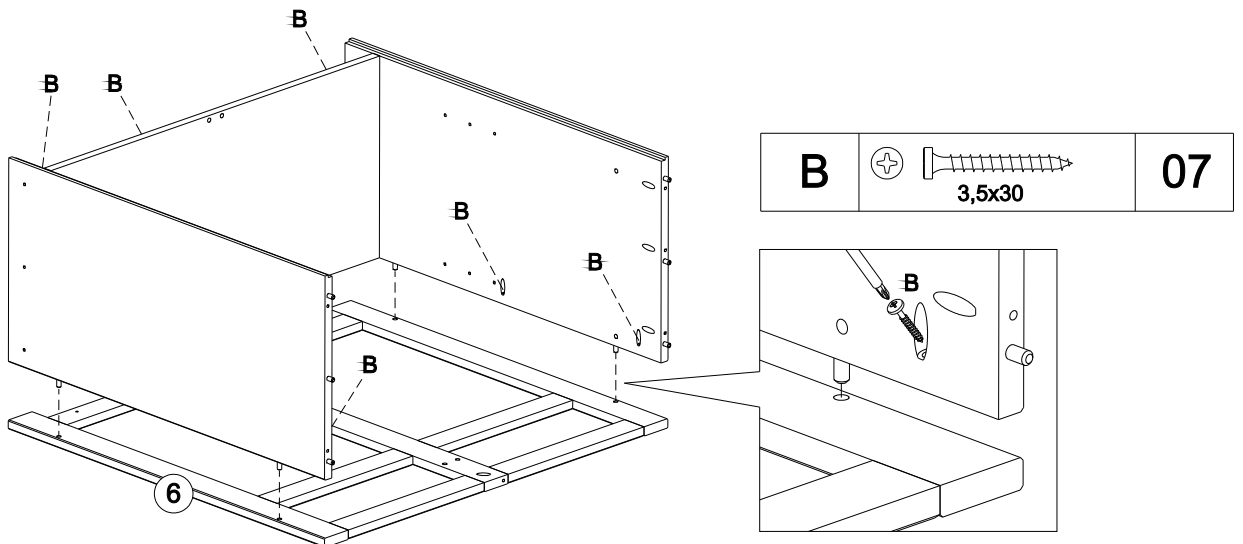
A		28
C		04
H		04
I		02

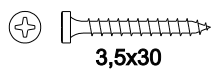
02



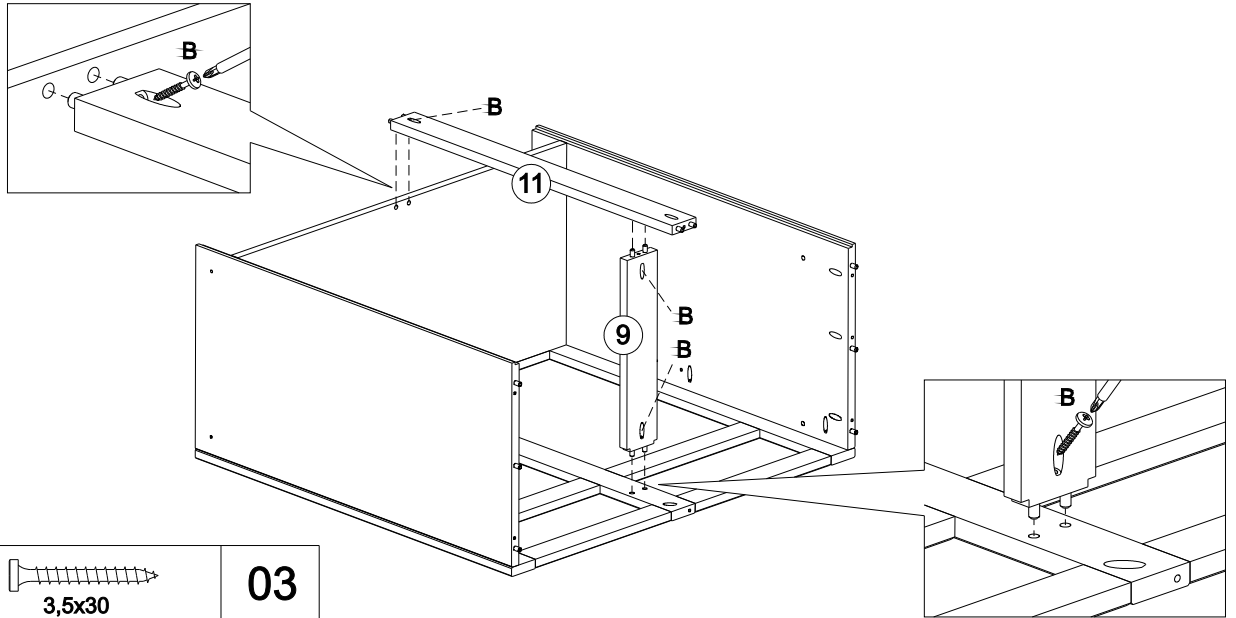
B		06
---	---	----


03



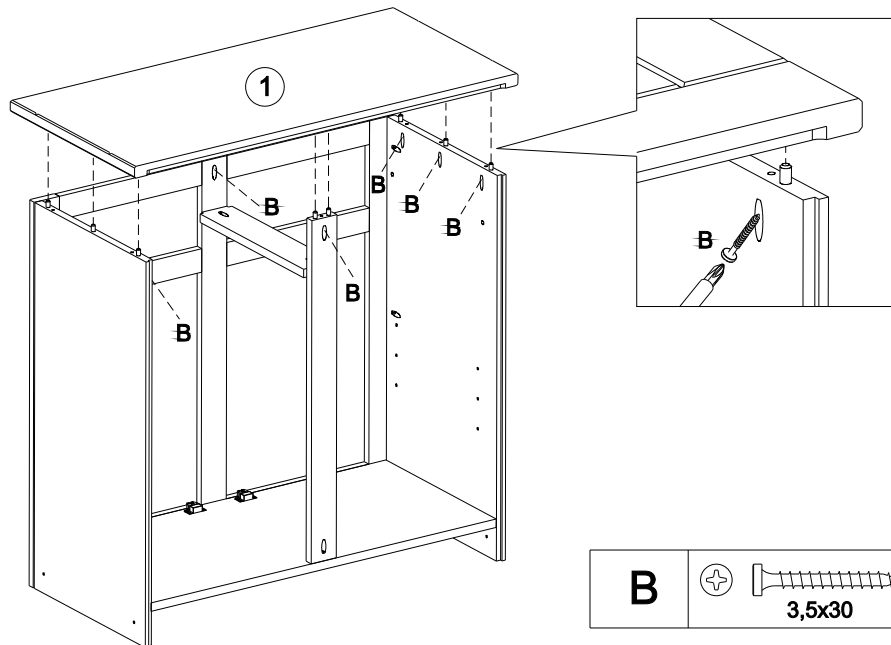
B		07
---	---	----


04



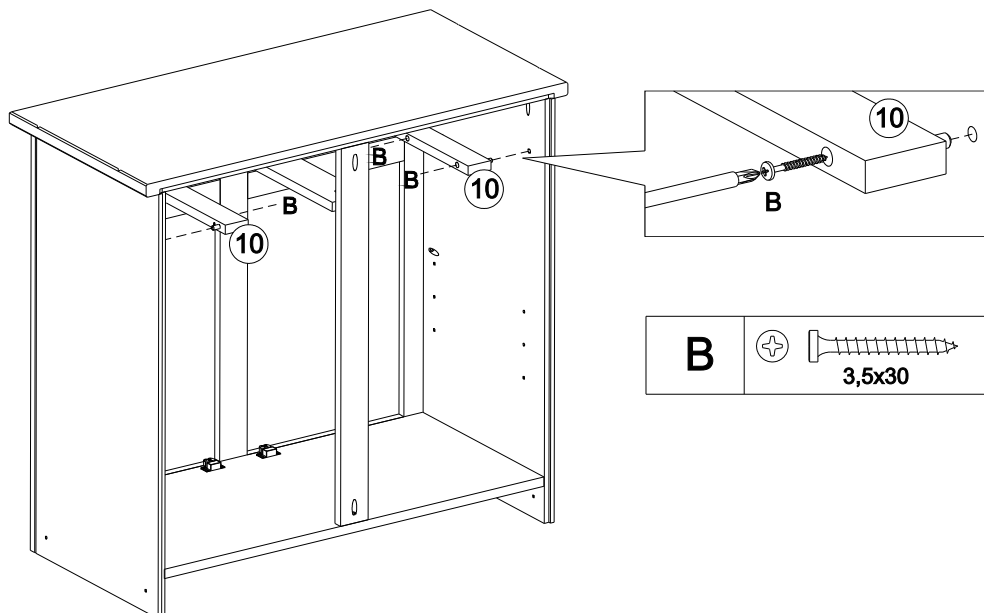
B		3,5x30	03
---	---	--------	----


05



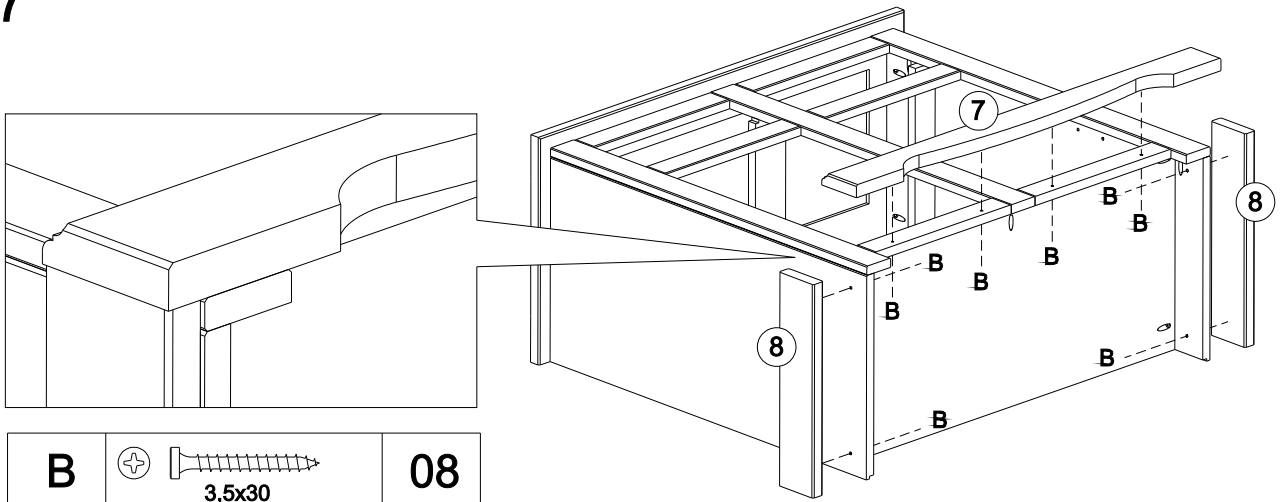
B		3,5x30	08
---	---	--------	----

06

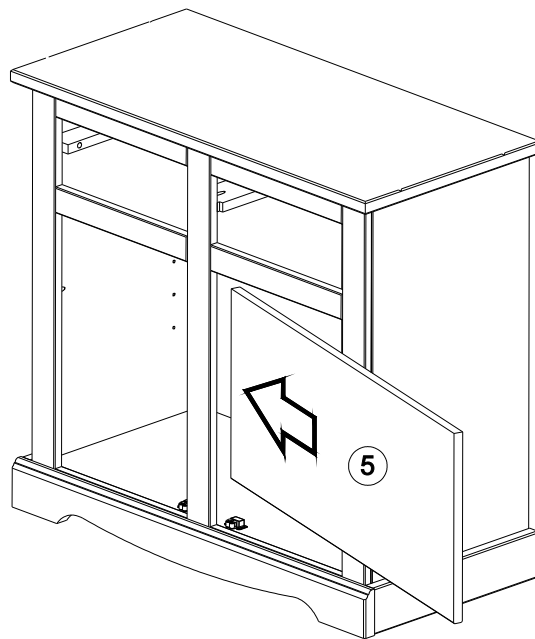


B		3,5x30	06
---	---	--------	----

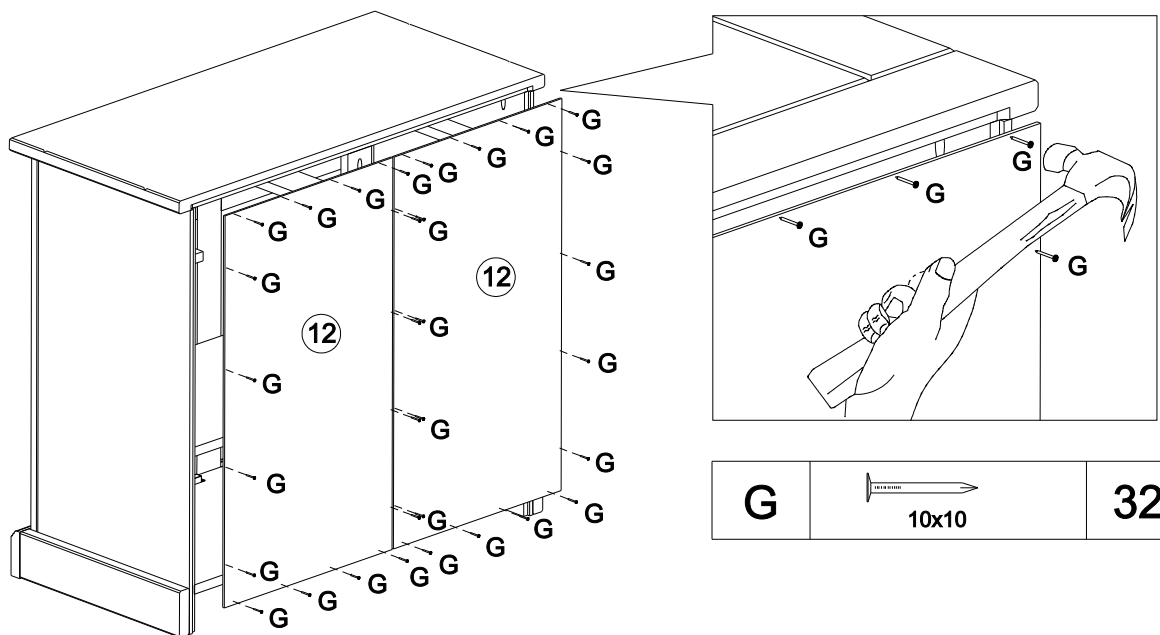
07



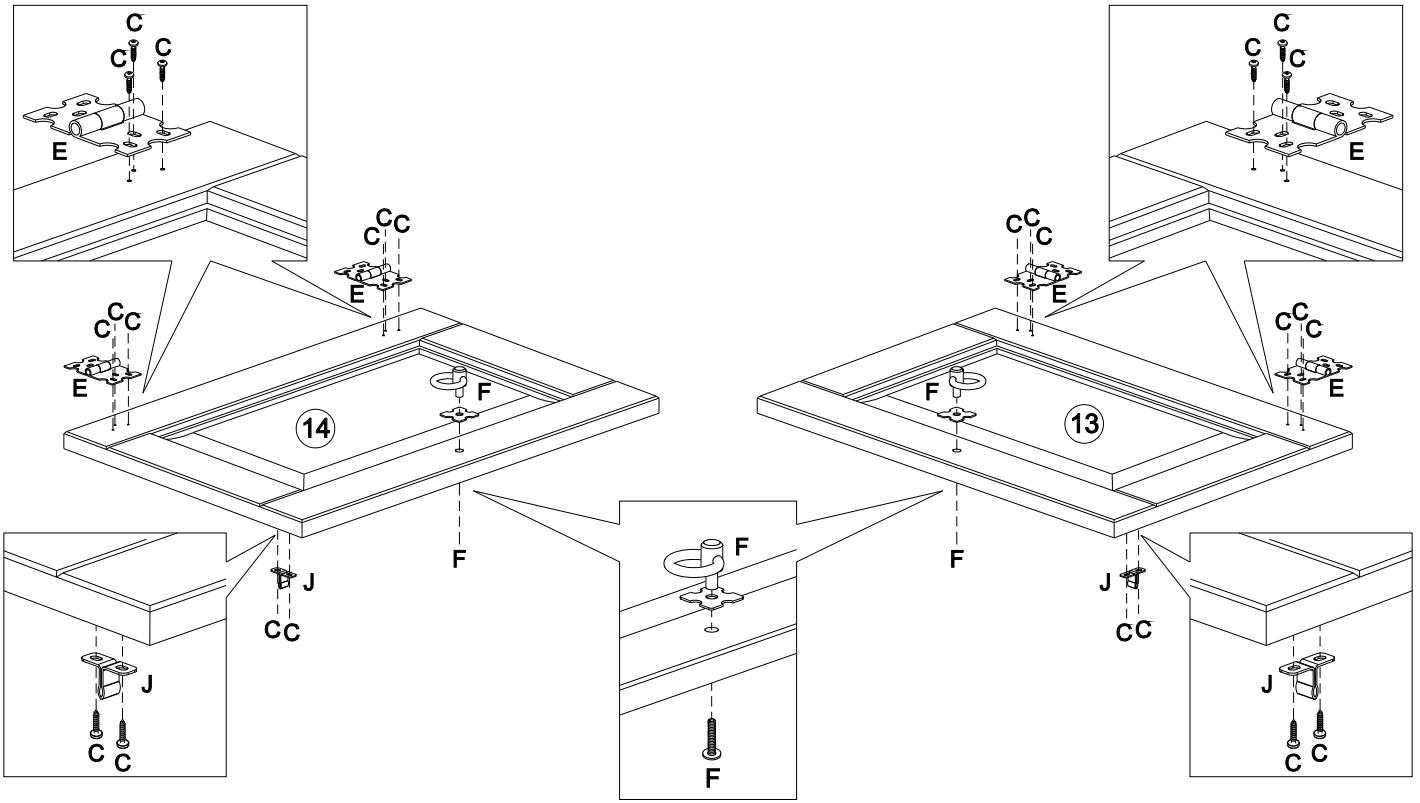
08


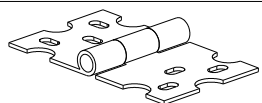


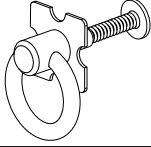
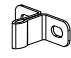
09



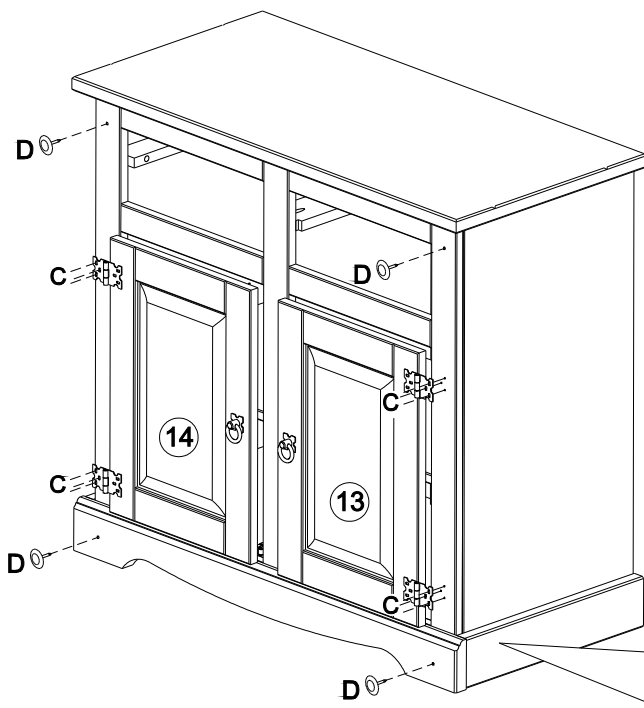
10


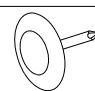


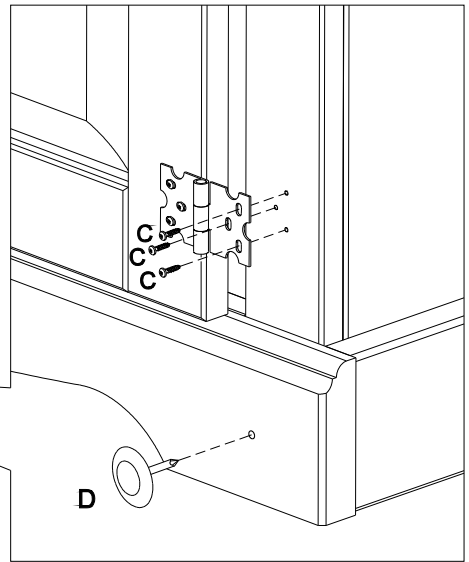
C	 3,5x16	16
E		04

F		02
J		02

11

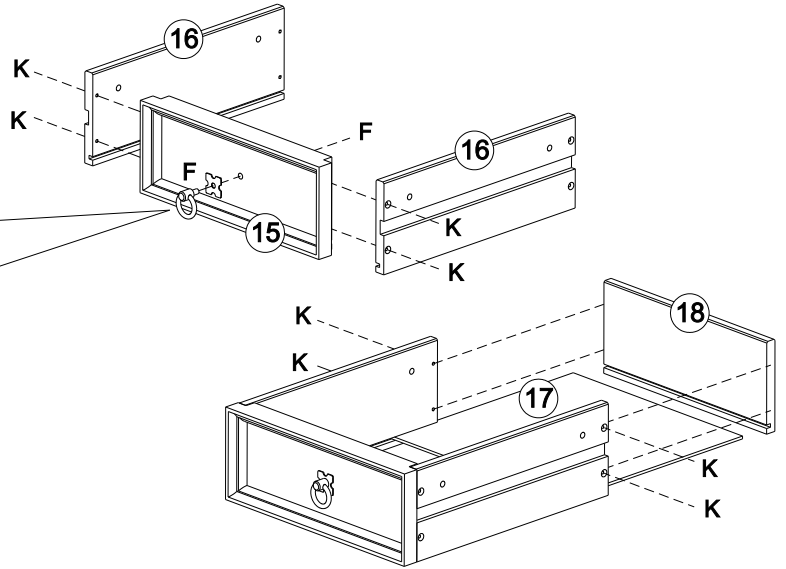
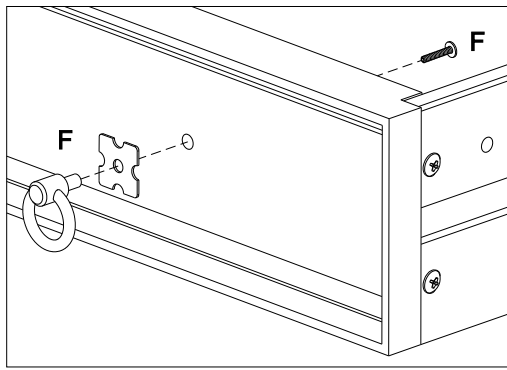



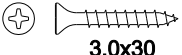
C	 3,5x16	12
D		04



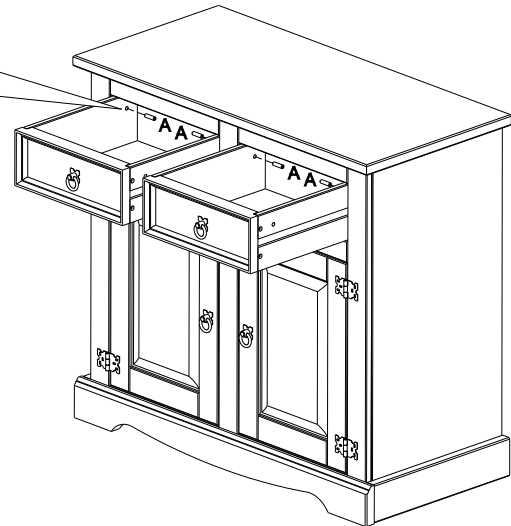
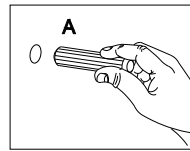
12

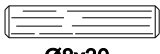
(2x)



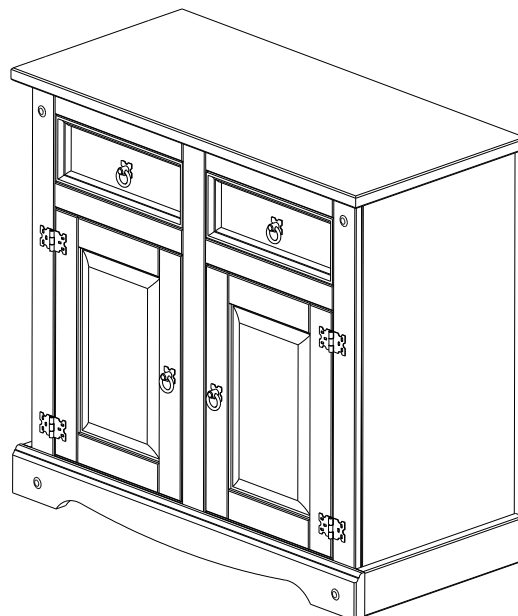
F		02
K	 3,0x30	16

13



A	 Ø8x30	04
---	--	----

14

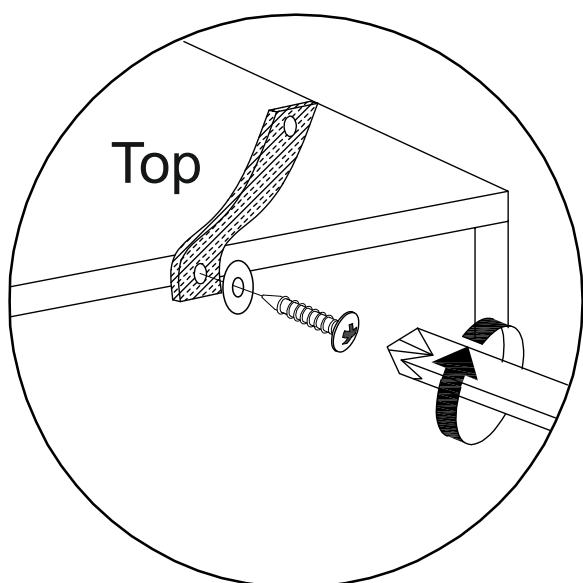


WARNING

Serious or fatal injuries can occur from furniture tipping over. To prevent the furniture from tipping over we recommend that it is permanently fixed to the wall.

Wall fixings are not supplied with this product as different wall materials require different types of fixing devices.

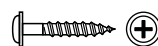
Please make sure you use fixings suitable for the walls in your home.



L - HARDWARE LIST



Strap (Anti-Tip Kit)
(1x)



Wood Screw (Anti-Tip Kit)
3,5 x 25mm (1x)



Washer (Anti-Tip Kit)
(2x)

