
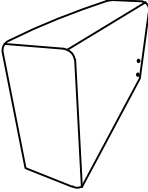
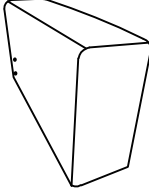
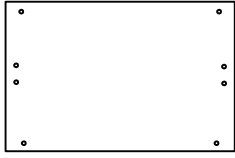


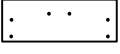

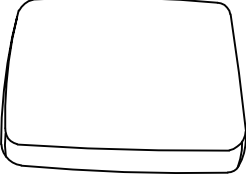
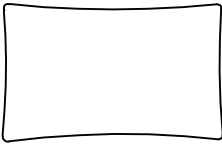
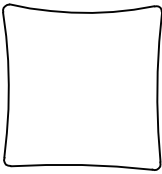

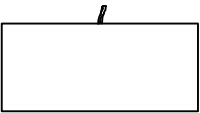
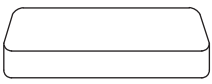
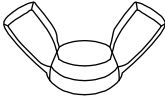
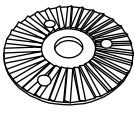
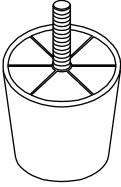
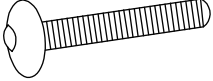
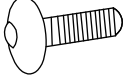



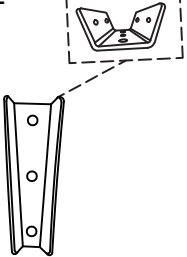
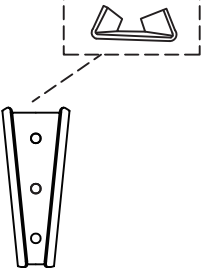

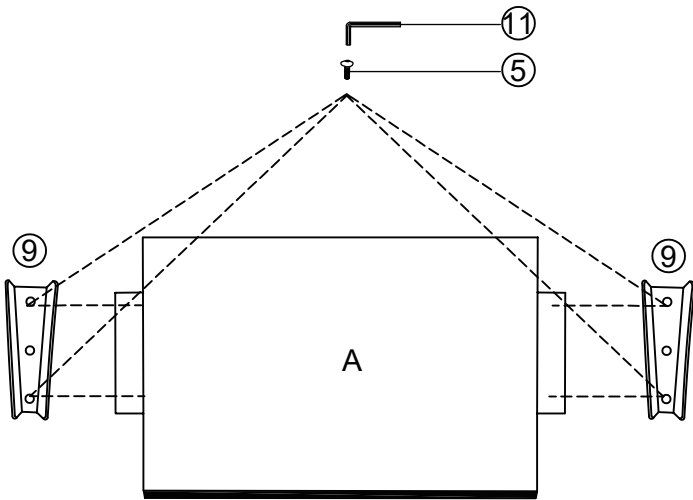


## PARTS LIST

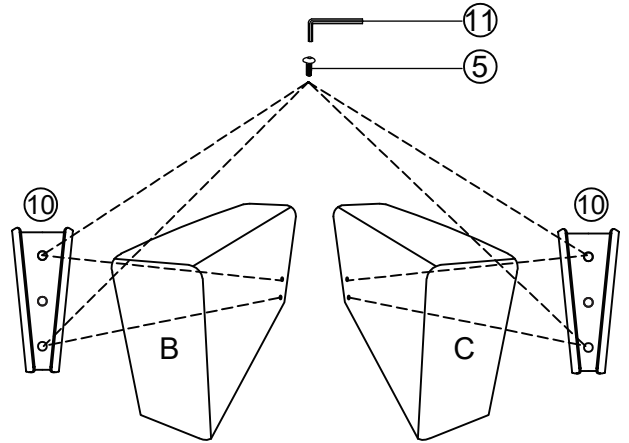
<p>Ax1</p> 	<p>Bx1</p> 	<p>Cx1</p> 	<p>Dx1</p> 	<p>Ex8</p> 
<p>Fx2</p> 	<p>Gx2</p> 	<p>Hx8</p> 	<p>Ix1</p> 	<p>Jx1</p> 
<p>Kx2</p> 	<p>Lx1</p> 	<p>Mx1</p> 	<p>Nx1</p> 	<p>①x4</p> 
<p>②x8</p> 	<p>③x8</p> 	<p>④x20 M6*40mm</p> 	<p>⑤x48 M6*18mm</p> 	<p>⑥x20 M6*22mm</p> 
<p>⑦x8</p> 	<p>⑧x2</p> 	<p>⑨x2</p> 	<p>⑩x2</p> 	<p>⑪x1</p> 

# Assemble The Sofa

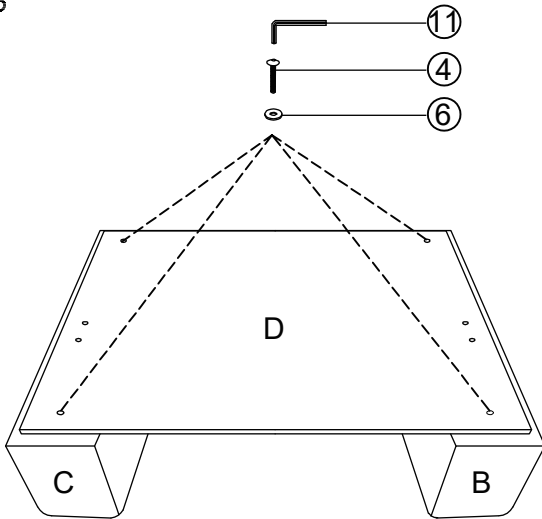
Step 1



Step 2

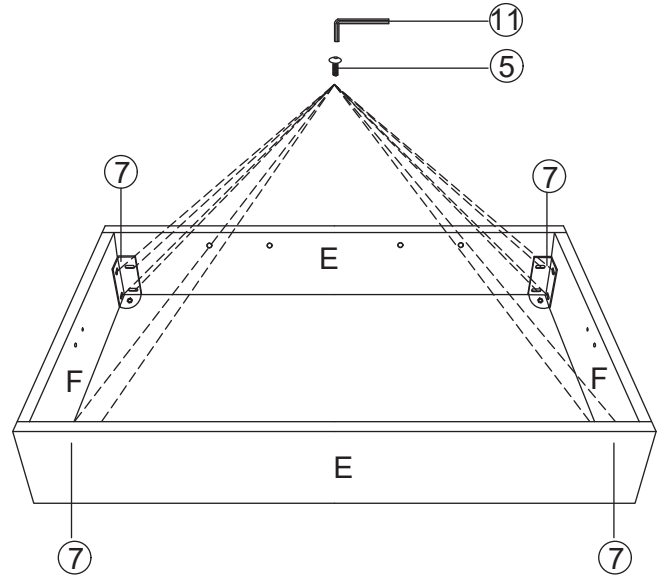


Step 3

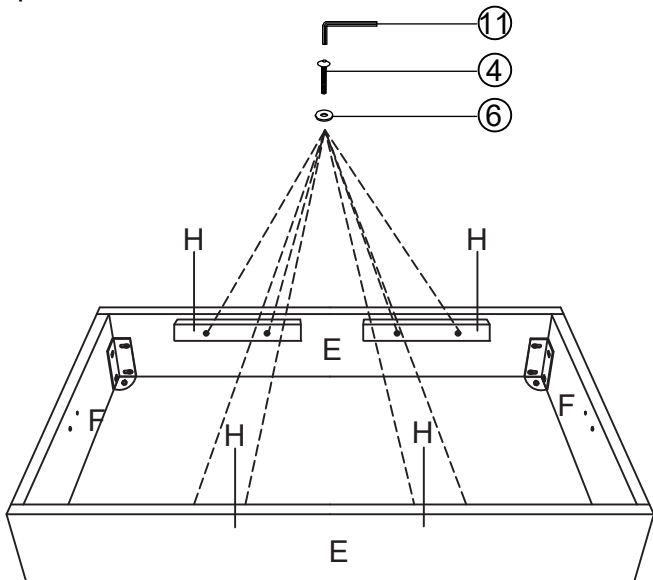


First, tighten all screws to 80%, then tighten them all together in the end.

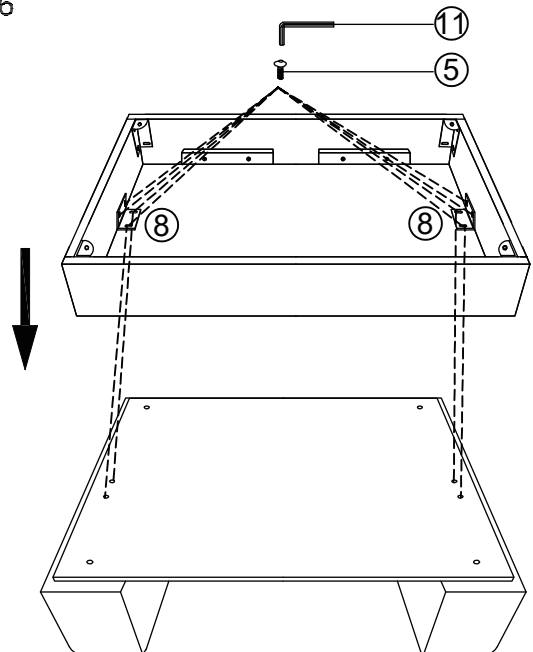
Step 4



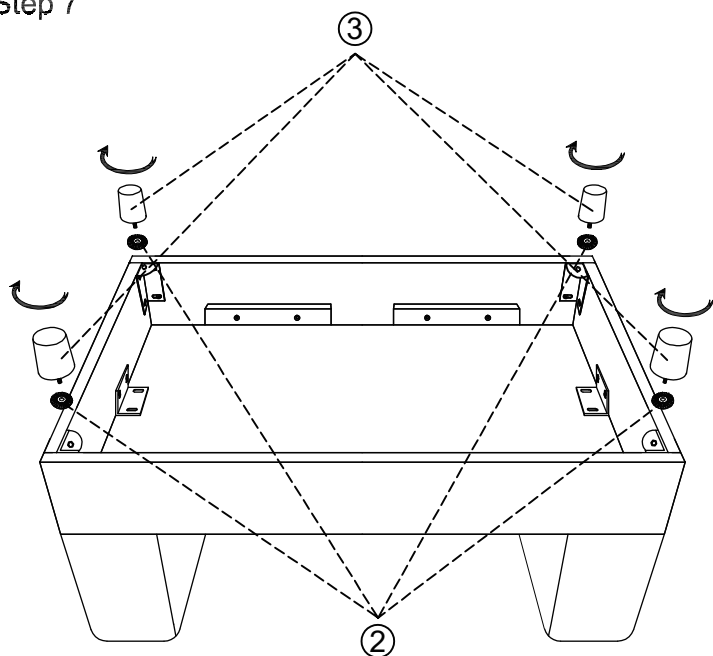
Step 5



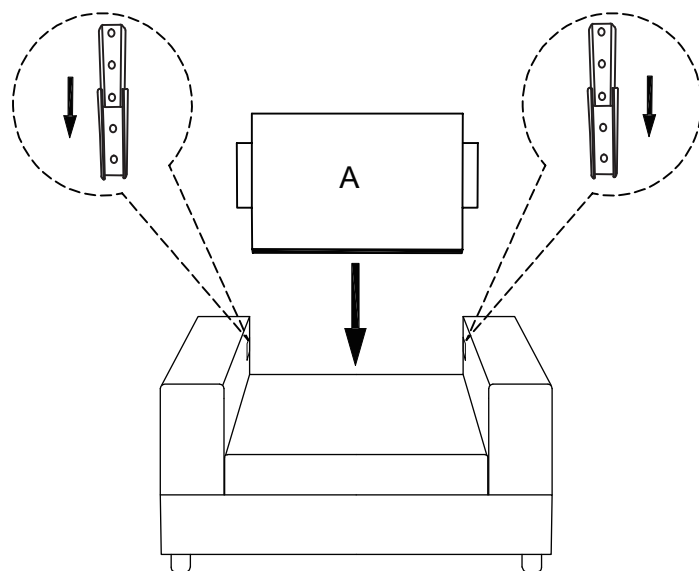
Step 6



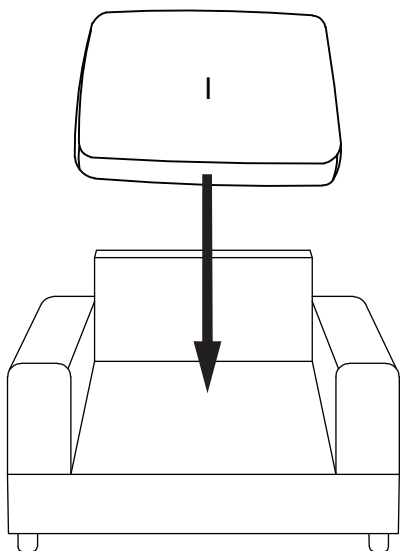
Step 7



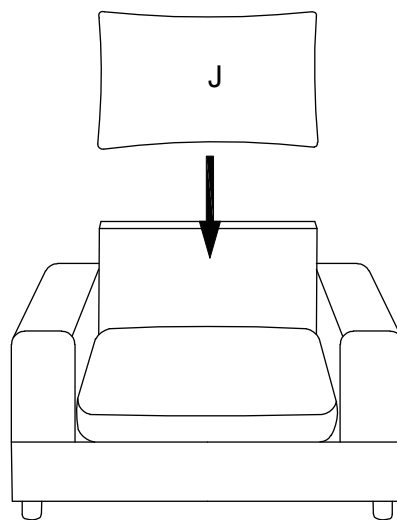
Step 8



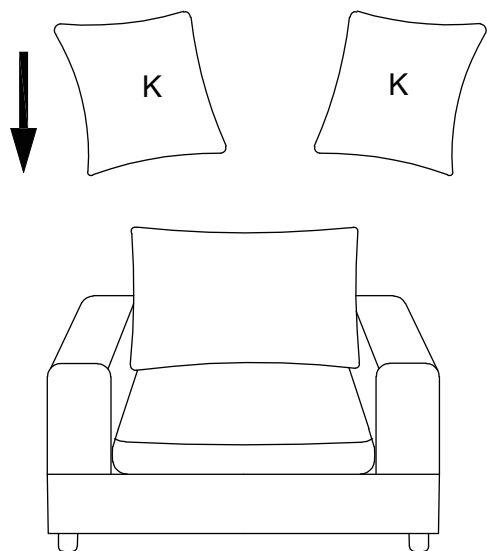
Step 9



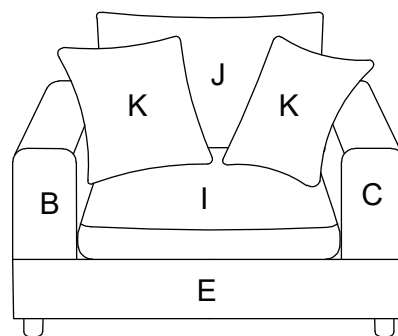
Step 10



Step 11

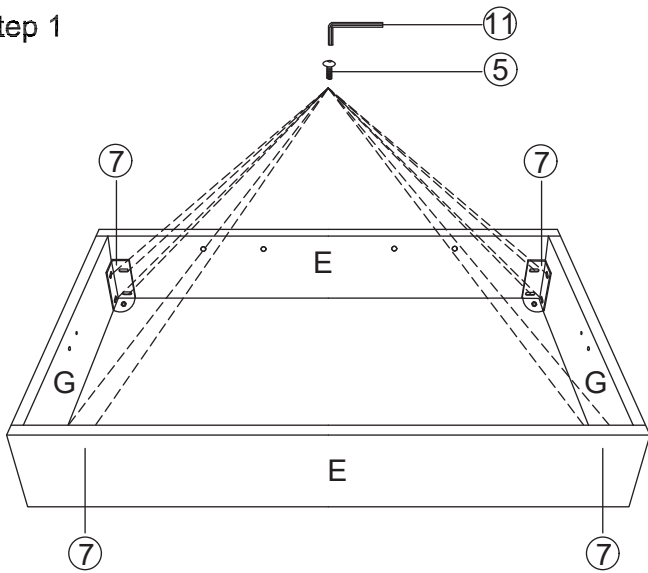


Step 12

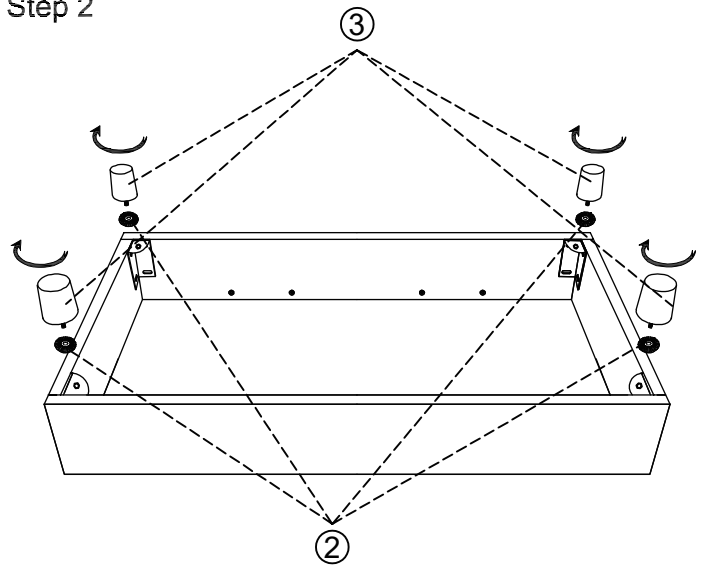


# Assemble The Ottoman

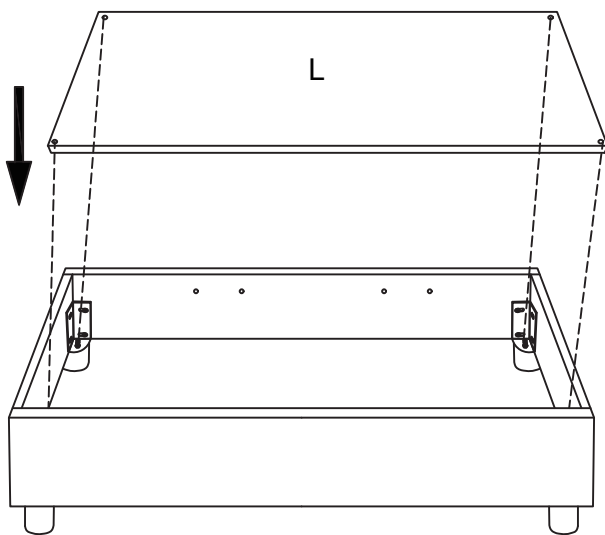
Step 1



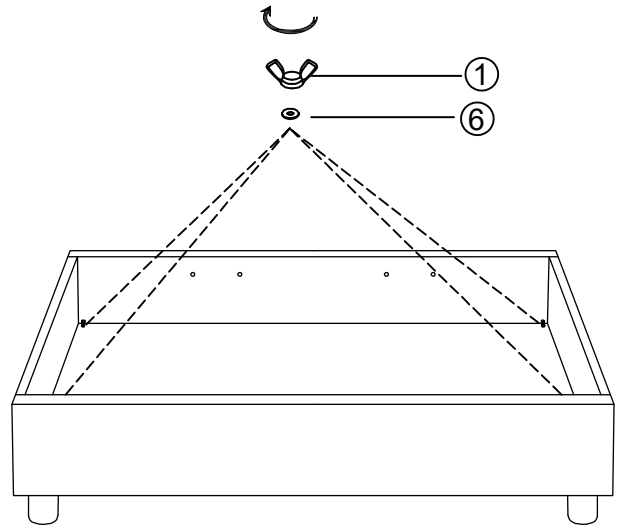
Step 2



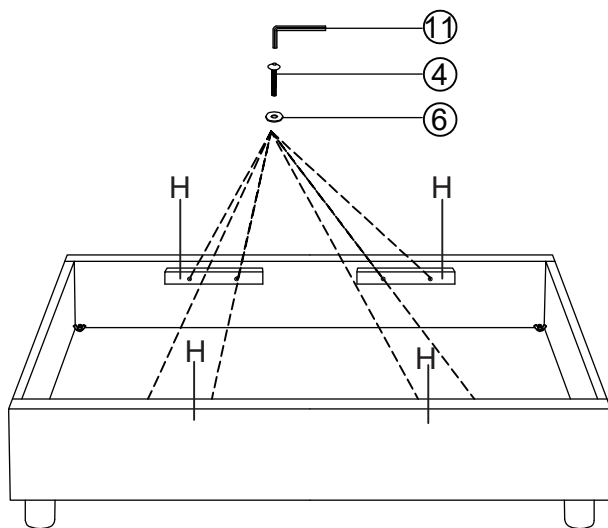
Step 3



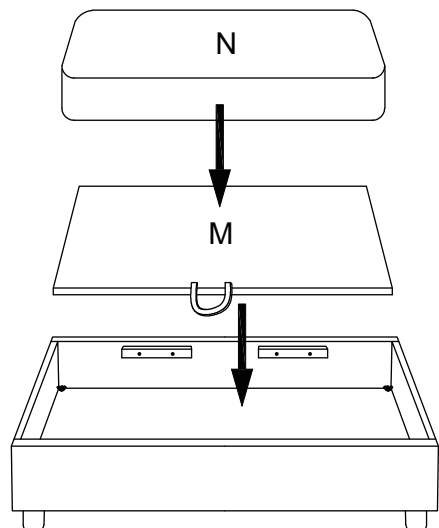
Step 4



Step 5



Step 6



Step 7

