

# *ASSEMBLY INSTRUCTIONS*



*Fine Furniture for every stage of life*

***Dining Table***

# ASSEMBLY INSTRUCTIONS

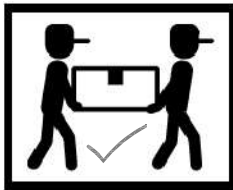
## ASSEMBLY TIPS :

1. Remove hardware from box and sort by size.
2. Please check to see that all hardware and parts are present prior to start of assembly.
3. Please follow attached instructions in the same sequence as numbered to assure fast & easy assembly.



### WARNING !

1. Don't attempt to repair or modify parts that are broken or defective. Please contact the store immediately.
2. This product is for home use only and not intended for commercial establishments.



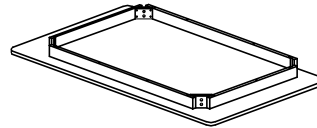
ASSEMBLY TIME

15 MINUTES

## PARTS IDENTIFICATION

A

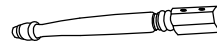
TOP



1PC

B

LEG

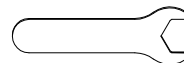


4PCS

## HARDWARE IDENTIFICATION

1

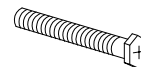
**WRENCH**  
(12.8MM - RBW)



1PC

2

**HEX BOLT**  
(M8 x 60MM - SILVER)



8PCS

3

**LOCK WASHER**  
(5/16" - RBW)



8PCS

4

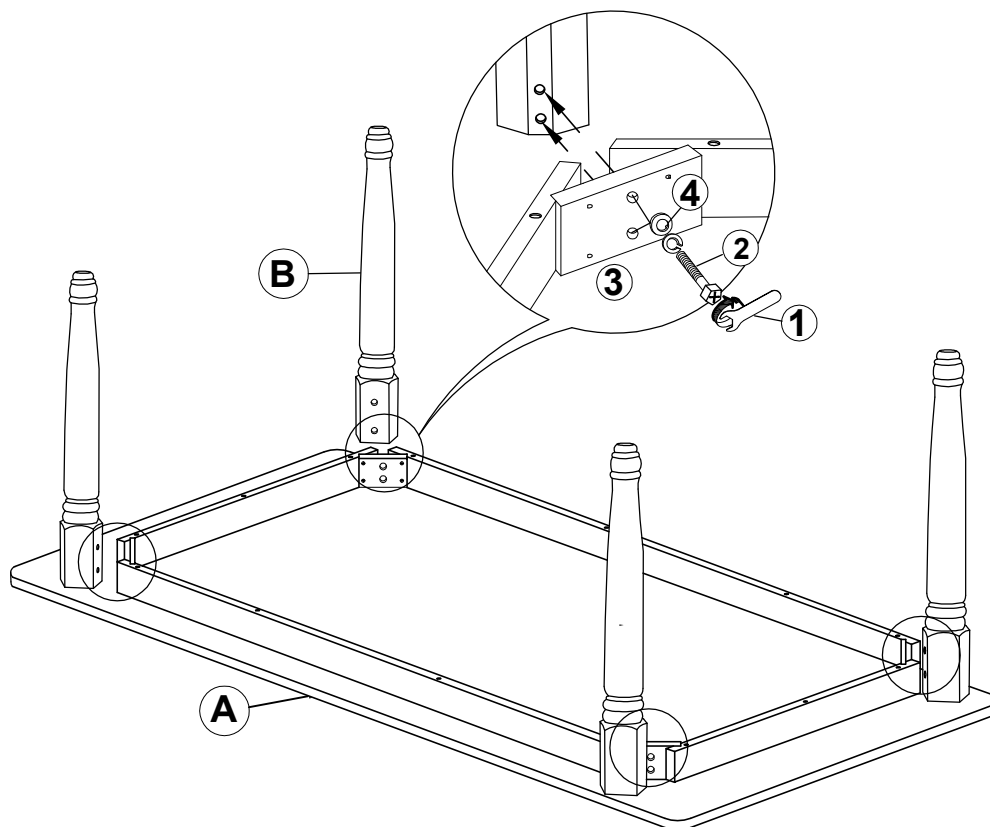
**FLAT WASHER**  
(5/16" - RBW)



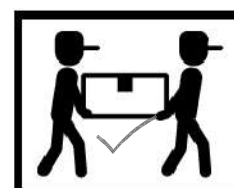
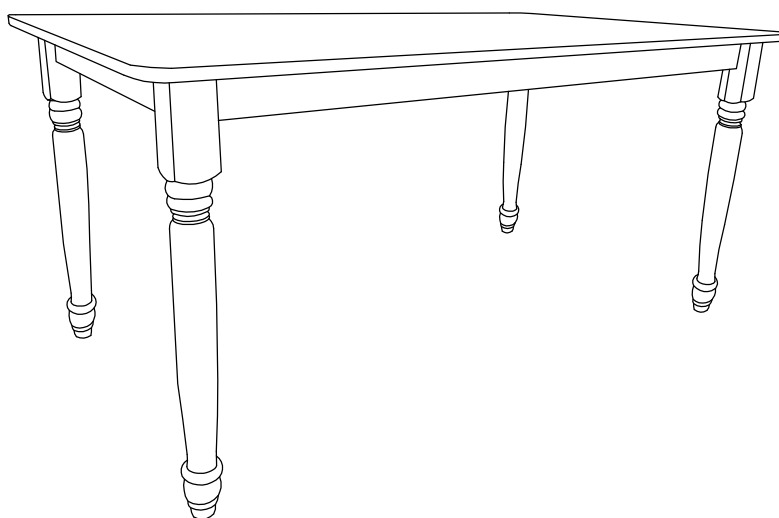
8PCS

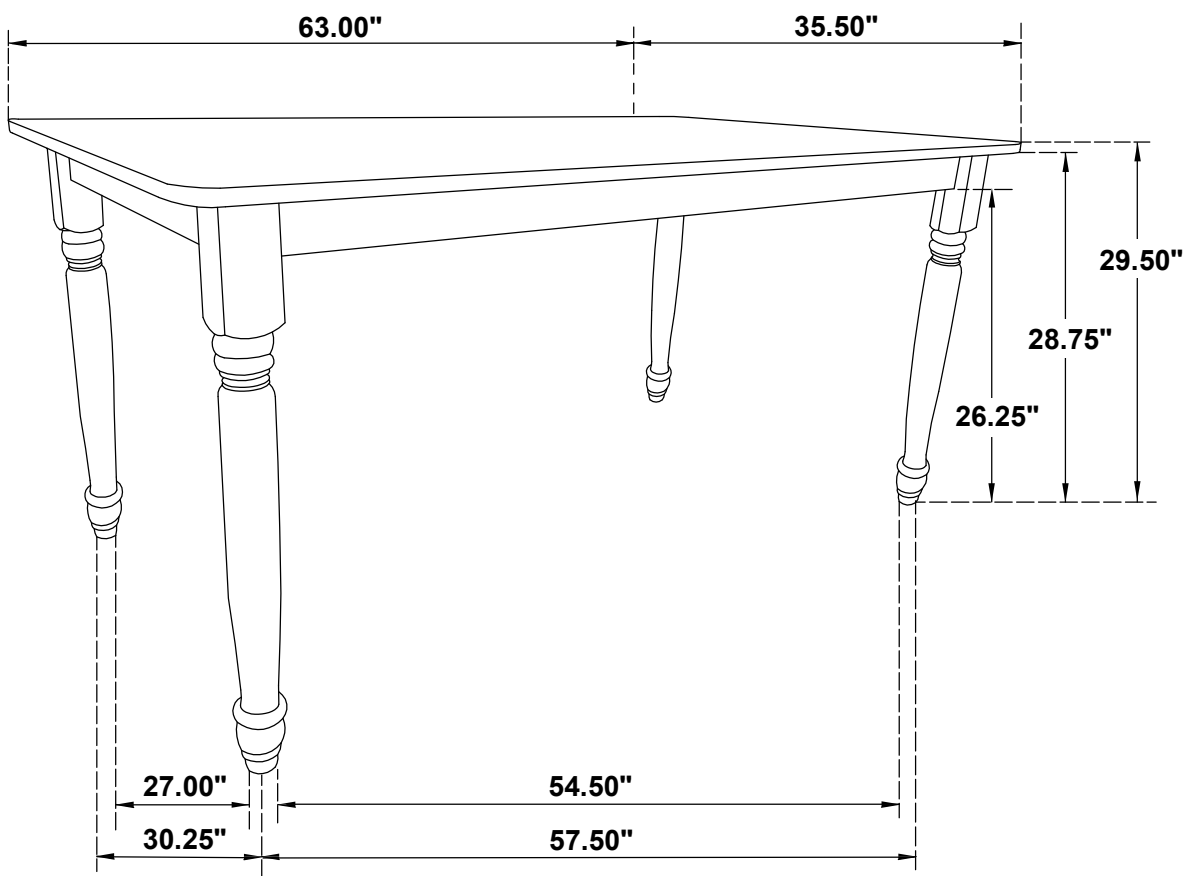
# ASSEMBLY INSTRUCTIONS

## STEP 1



## STEP 2 COMPLETE





**Note: Dimension tolerance  $\pm 5\%$**

# *ASSEMBLY INSTRUCTIONS*



*Fine Furniture for every stage of life*

***Side Chair***

# ASSEMBLY INSTRUCTIONS

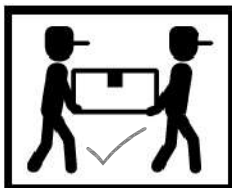
## ASSEMBLY TIPS :

1. Remove hardware from box and sort by size.
2. Please check to see that all hardware and parts are present prior to start of assembly.
3. Please follow attached instructions in the same sequence as numbered to assure fast & easy assembly.



### WARNING !

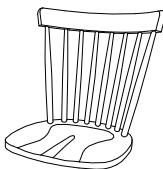
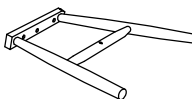
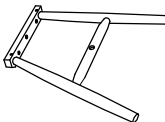

1. Don't attempt to repair or modify parts that are broken or defective. Please contact the store immediately.
2. This product is for home use only and not intended for commercial establishments.




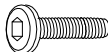
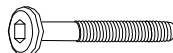




ASSEMBLY TIME

15 MINUTES

## PARTS IDENTIFICATION

A	SEAT AND BACK		1PC
B	RIGHT LEG FRAME		1PC
C	LEFT LEG FRAME		1PC
D	STRETCHER		1PC

## HARDWARE IDENTIFICATION

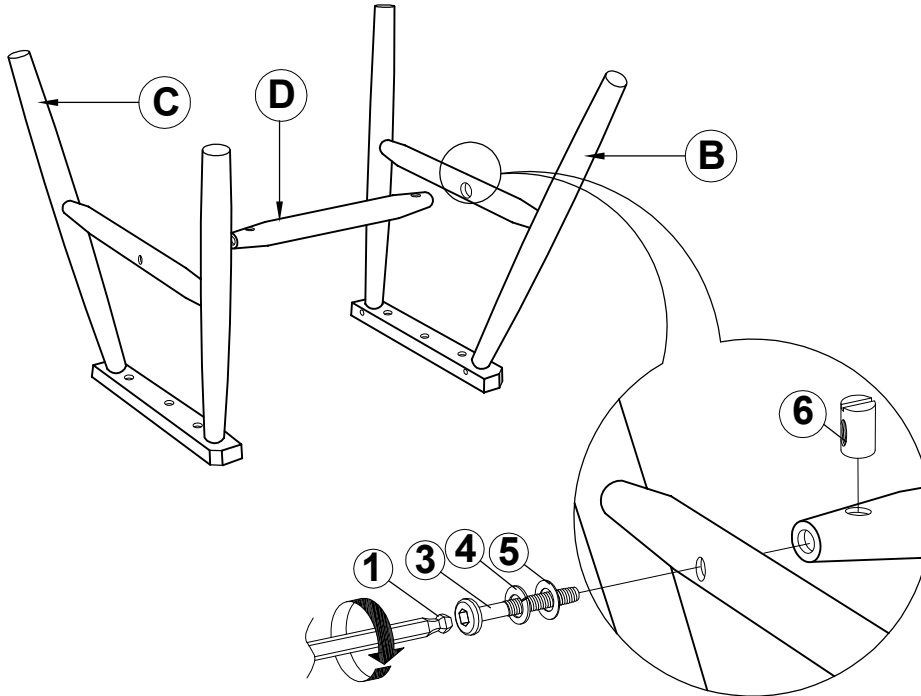
1	ALLEN WRENCH (M4 x 110MM - BLK)		1PC
2	SHORT BOLT (M6 x 30MM - RBW)		6PCS
3	LONG BOLT (M6 x 50MM - RBW)		2PCS
4	LOCK WASHER (1/4" - BLK)		8PCS
5	FLAT WASHER (M6 x 13MM - RBW)		8PCS
6	BARREL NUT (M6 x 9.5 x 14MM)		2PCS
7	WOOD PLUG (Ø14.5 x 9MM)		2PCS

### NOTE :

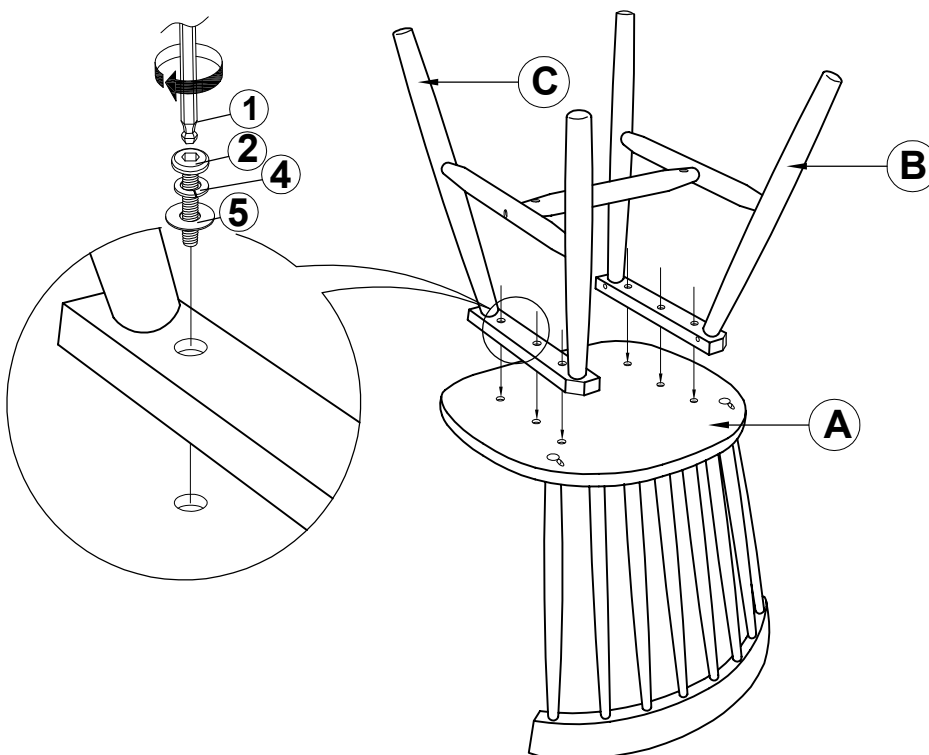
Quantities shown are for one chair.

# ASSEMBLY INSTRUCTIONS

## STEP 1

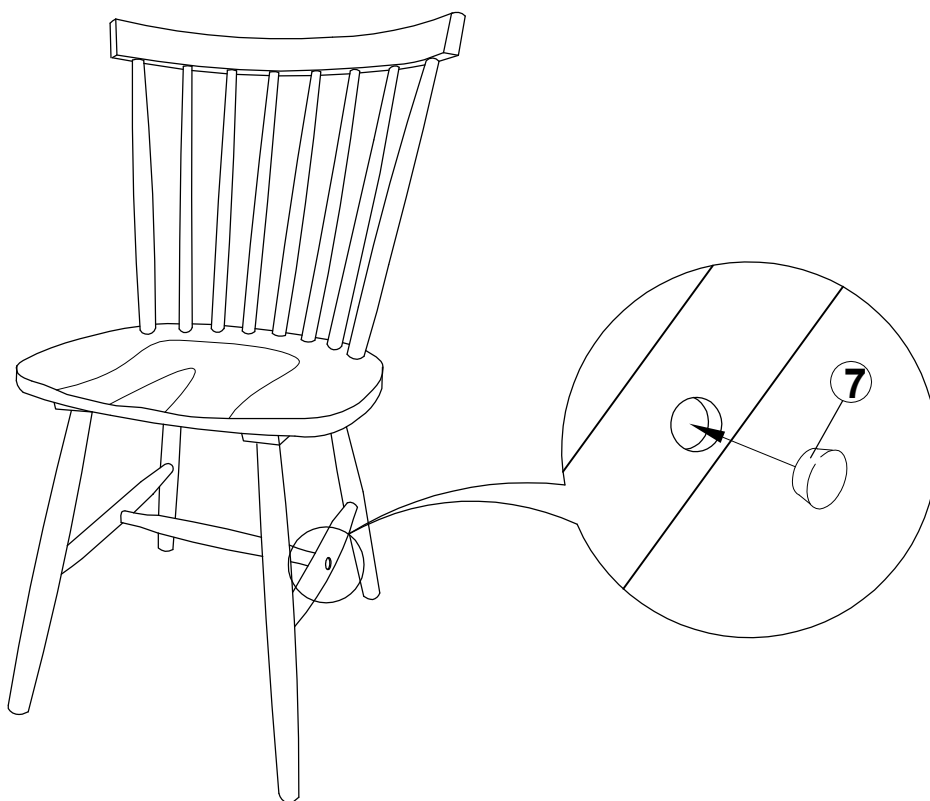


## STEP 2

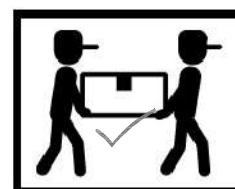
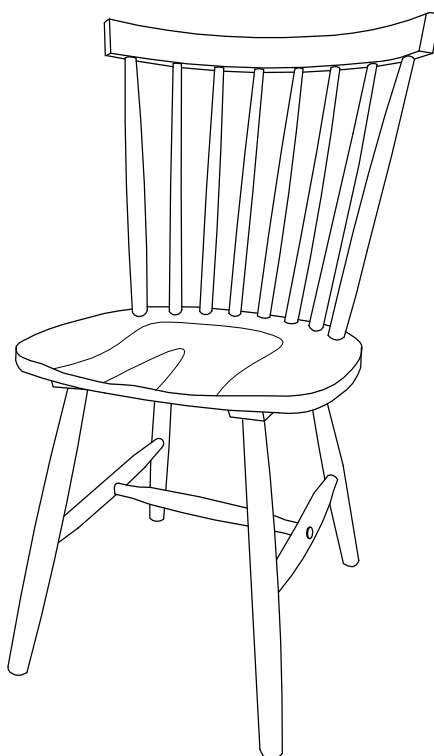


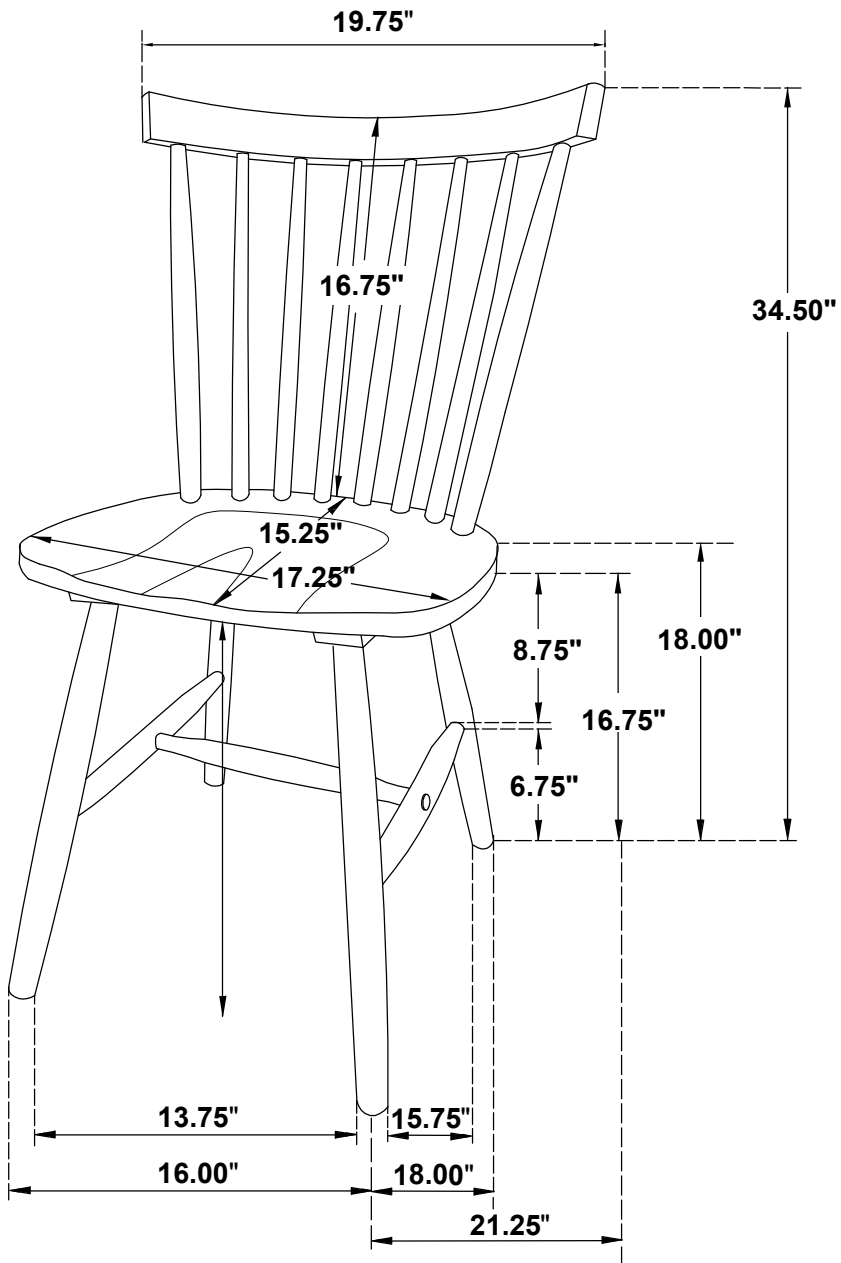
## ASSEMBLY INSTRUCTIONS

### STEP 3



### STEP 4 COMPLETE





**Note: Dimension tolerance  $\pm 5\%$**