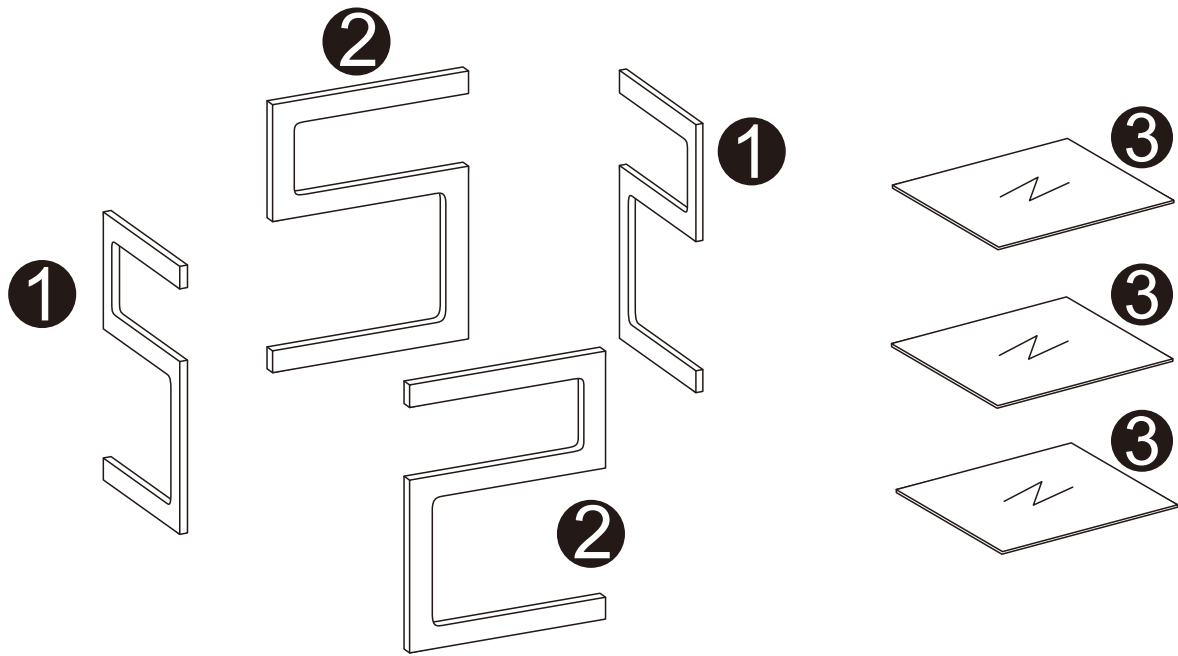
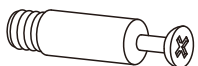


ASSEMBLY INSTRUCTIONS



PARTS LIST

Ax12



Bx12



Cx4



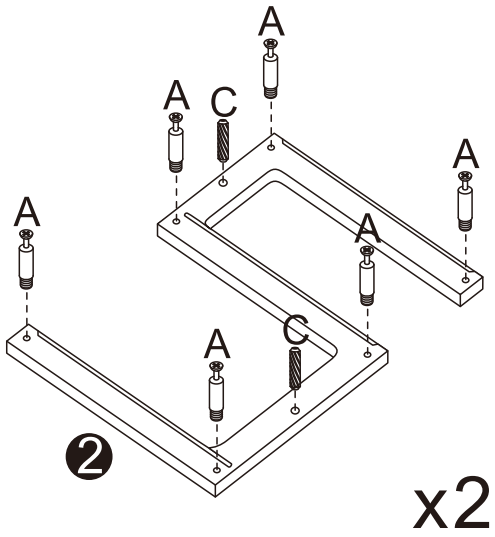
Dx12



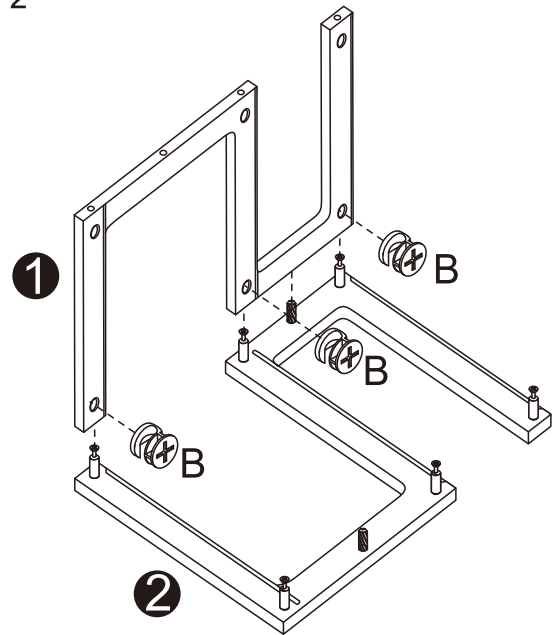
Ex4



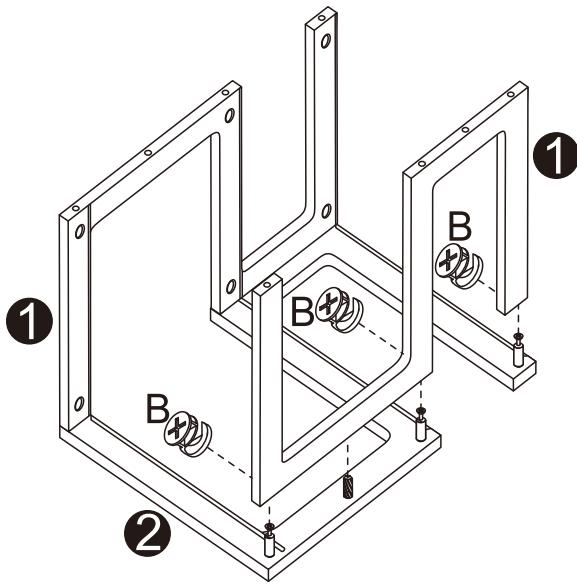
STEP1



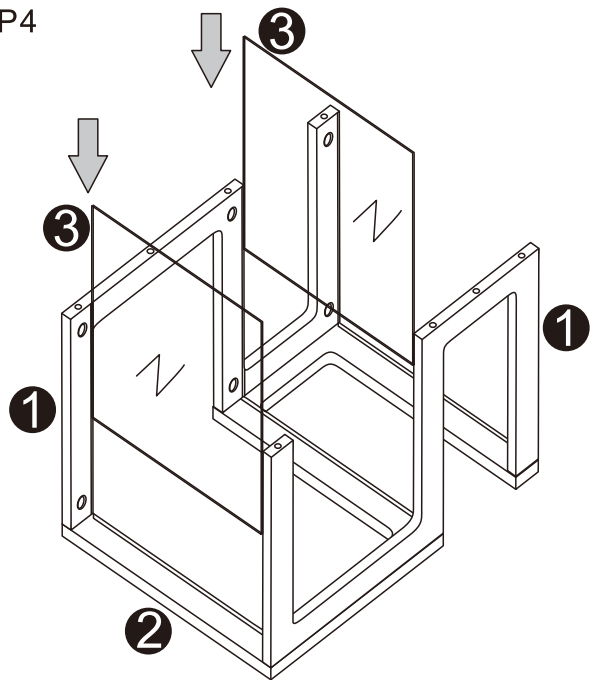
STEP2



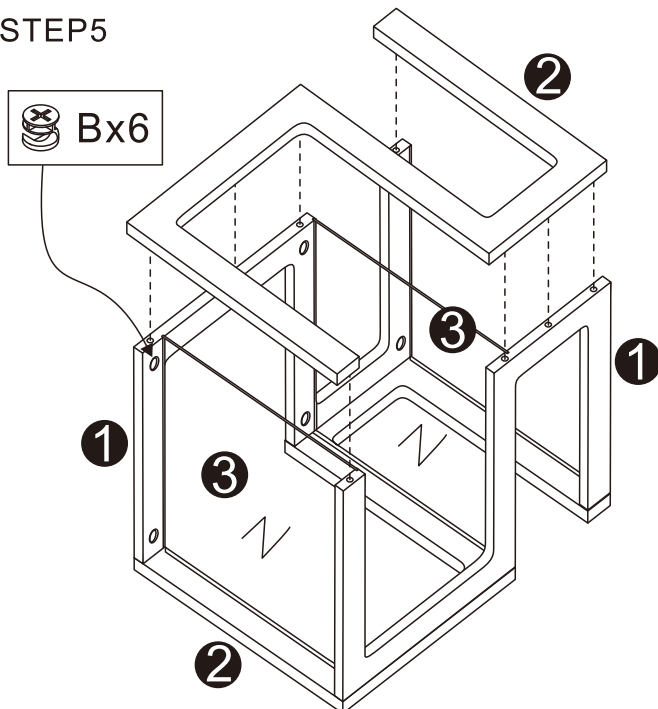
STEP3



STEP4



STEP5



STEP6

