



QZLD-3322 Granite Low Divide Double Bowl Kitchen Sink

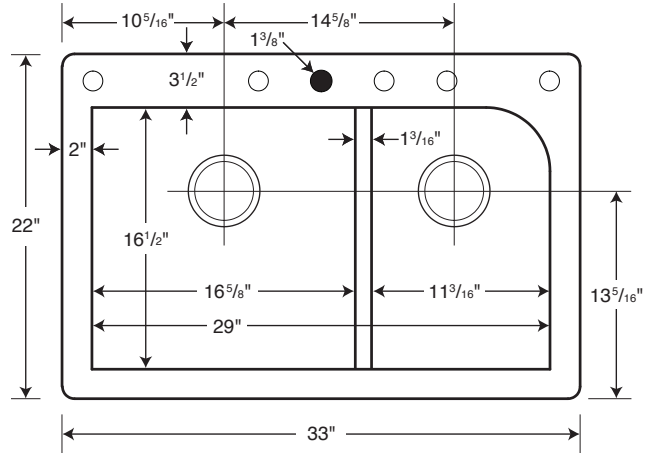
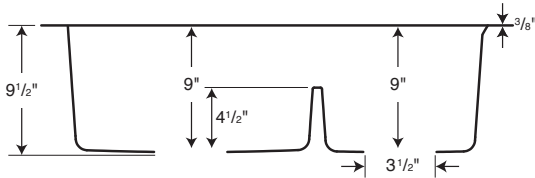
Manufactured from Quartz
(See page 2 for detailed information.)

Recommended for high-use traffic areas and commercial surfaces.

WARRANTY
Limited Lifetime – Residential
Limited 10-year – Commercial

FEATURES

- Low divider provides a functionality of a single bowl with practicality of a double bowl.
- Made with 80% quartz stone, only a diamond is harder.
- Virtually indestructible, will not damage from everyday kitchen use.
- Standard sink size.
- Ideal for remodeling or new construction.
- Offers design flexibility, installs as a drop-in or undermount.



○ Drill Points ● Pre-drilled
Capacity: 10 gallons in left bowl, 7 gallons in right bowl

SPECIFICATIONS

QZLD-3322 Granite Low Divide Double Bowl Kitchen Sink

Model	Part	Nominal Dimensions	Ship Wt. Lb.	Ship FedEx	Carton Dims. In.	Cu. Ft.
QZLD-3322	QZ03322LD	33" W x 22" D (838 mm x 559 mm)	48	FedEx	37 x 25 x 13	6.96

COLORS

- Bianca (075)
- Espresso (170)
- Granito (076)
- Metallico (173)
- Nero (077)

MAINTENANCE AND CLEANING INFORMATION

Clean your Swan Granite Sink by using warm water and a soft clean cloth, sponge or Mr. Clean® Magic Eraser®. Non-abrasive liquid cleaners and detergents can also be used. Hard water, calcium and lime deposits can be removed with white vinegar on a paper towel and rinsing after 20 minutes. To restore luster and extend time between cleanings Weiman® Granite Cleaner & Polish is recommended. Staining liquids, such as dyes and vegetable juices should be rinsed off as soon as possible. **Do not** use abrasive cleaners, metal-scouring pads, and bleach or alkali cleaners, such as ammonia.

Undermount clips sold separately. Faucet options are limited to available hole placement. Please contact your dealer for more information.

STANDARDS AND RATINGS

American National Standard Institute—ANSI Z124.6
International Association of Plumbing and Mechanical Officials (IAPMO) – listed
cUPC listed – Certified to CSA Standard B45 by IAPMO
Heat resistance to 392°F, 200°C

SUPPORT DOCUMENTS

Installation instructions available at swanstone.com.