

# (Table lamp)

## TOUCH CONTROL DIMMABLE TABLE LAMP WITH AMBER GLASS SHADE AND USB CHARGING PORTS

### ■ Specification

Voltage: 110-130V

Wattage: 100 Watt Max

Material: Metal + Resin + Glass

Lamp holder: E26

Bulb info: A19 8W 2700K

Touch control: 4 settings (Low, Medium, High, Off)

Dimensions: 9.75in/2505mm(L)\*7.5in/190mm(W)\*20in/508mm(H)

Shade size: 7.5in/190mm(D)\*5in/128mm(H)

Base size: 7in/1800mm(D)\*3.75in/95mm(H)

Wire Length: 59in/1500mm

Usage: Indoor use only

### ■ Package Include

1x Lampshade

1 x Lamp

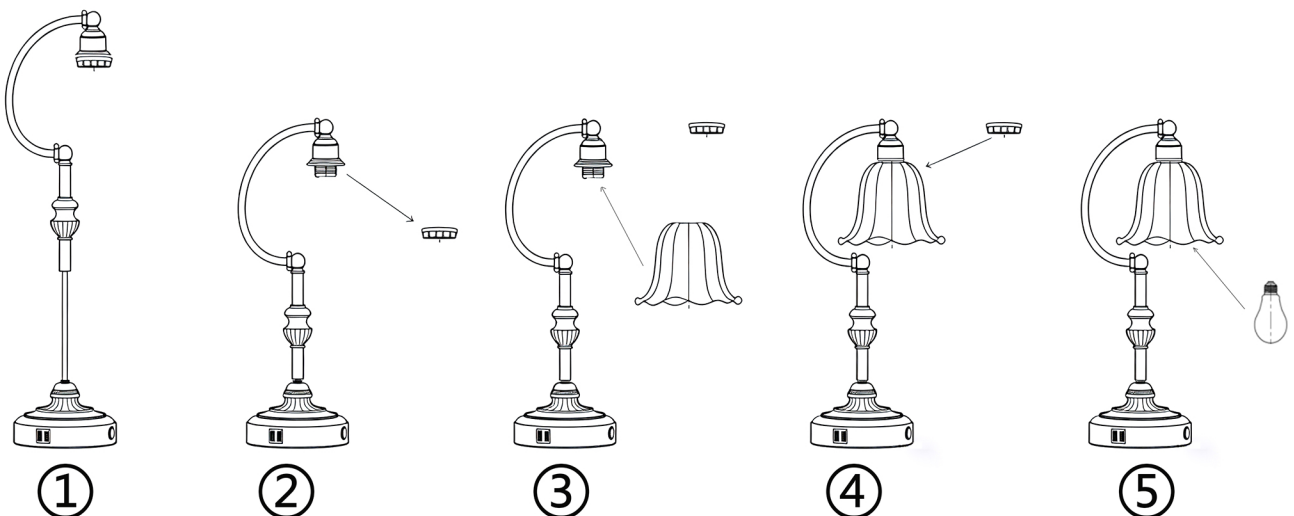
1x A19 Led Bulb

1 x User Manual

### ■ Easy Installation

**Note: Please follow the installation steps for assembly**

1. Insert the power cord into the base, Fasten Socket Assembly onto Base be careful not to twist power cord.
2. Unscrew the fixing ring from the lamp holder. Fix the lampshade on the lamp holder.
3. Screw the ring back to steady the lampshade.
4. Install the bulb.



### ■ Attention

1. If you want to change the 2700K vintage Led bulb included, incandescent light bulbs less than 60W are greatly recommended. Not all Led bulbs are fully compatible with the dimmer system of the lamp, so it may cause to flicker or lose dimming function with other Led bulbs.
2. The bulb will increase the brightness when it is reaching its lifespan or has partial short-circuit. At that moment, please switch off, change a bulb and use it as you would normally.
3. The total current of two usb charging ports is 2.1A. If two devices are charged at the same time, the current will be distributed.
4. Please shut off the power and unplug it before you screw in a new bulb.
5. Don't put the lamp in overheating working condition or cast it into fire.