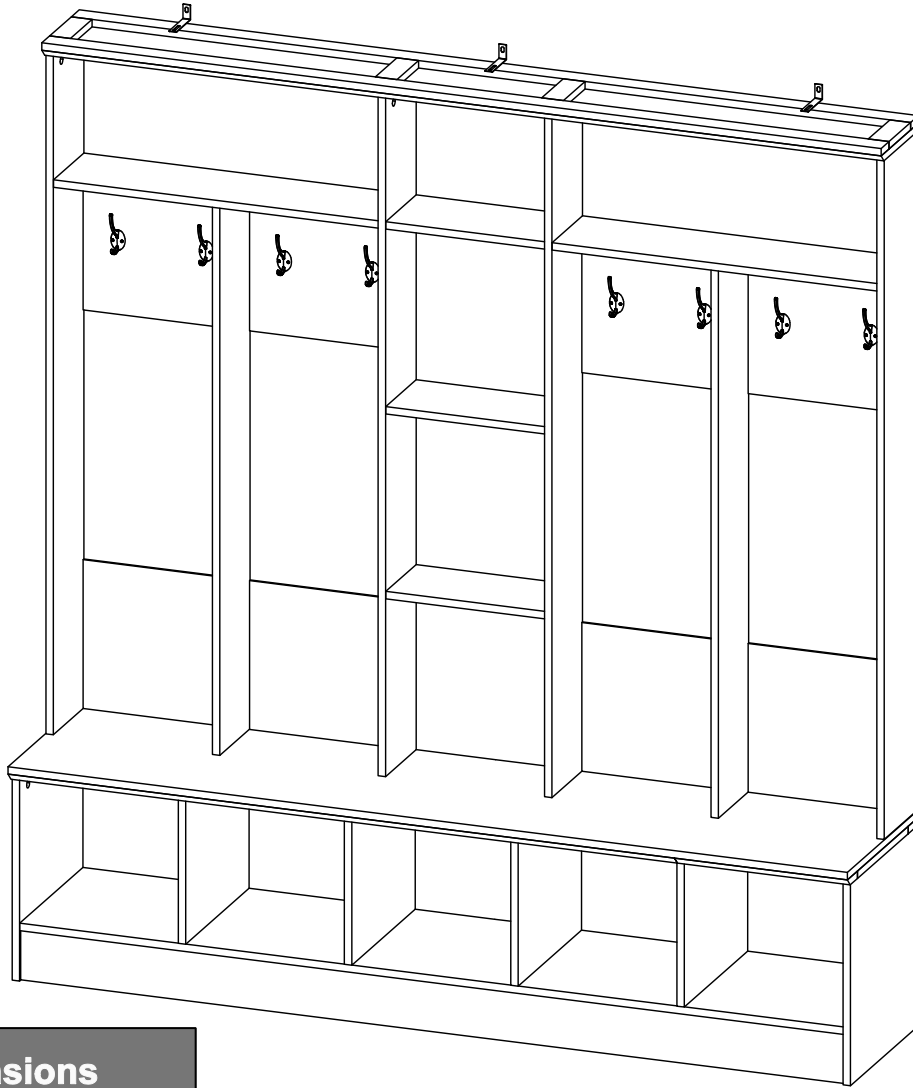


# HALL TREE

Assembly Instructions - Please keep for future reference



## Dimensions

Width-66.93inch

Depth-14.96inch

Height-72.05inch



## WARNING



This product is NOT a Clothing Storage Unit (CSU).  
DO NOT use it for clothing storage.  
Improper use may cause furniture tipover.

Important – Please read these instructions fully before starting assembly



## Safety and Care Advice

**Important – Please read these instructions fully before starting assembly**

- Check you have all the components and tools listed on the following pages.
- Remove all fittings from the plastic bags and separate them into their groups.
- Keep children and animals away from the work area, small parts could choke if swallowed.
- Make sure you have enough space to layout the parts before starting.

- During assembly do not stand or put weight on the product, this could cause damage.
- Assemble the item as close to its final position (in the same room) as possible.
- Assemble on a soft level surface to avoid damaging the unit or your floor.
- Parts of the assembly will be easier with 3 people.



- To reduce the likelihood of damaging your product please ensure that your power drill is set on a low torque setting.

### Care and maintenance

- Only clean using a damp cloth and mild detergent, do not use bleach or abrasive cleaners.
- From time to time check that there are no loose screws on this unit.
- This product should not be discarded with household waste. Take to your local authority waste disposal centre.

### Handy Hints

- Assemble all parts and bolts loosely during assembly, only once the product is complete should you fully tighten the bolts
- Regularly check and ensure That all bolts and fittings are tightened properly.

## **WARNING** In order to help prevent overturning – please follow these instructions





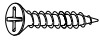
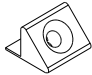

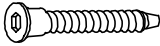


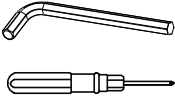
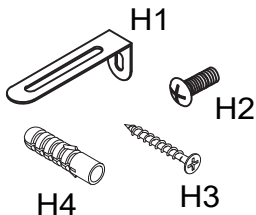
To help prevent product toppling over please follow the below steps:-

- Use the anti tip stap or wall fixing method provided (if applicable)
- Do not allow children to climb or hang on the furniture
- Do not open more than one drawer at a time
- Do not place heavy items in the top drawers
- Do not place heavy items on top of the furniture, unless the furniture has been designed for this purpose

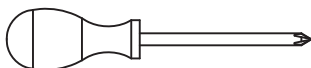
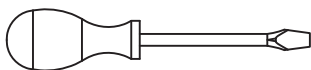
# Components - Fittings

Please check you have all the panels listed below

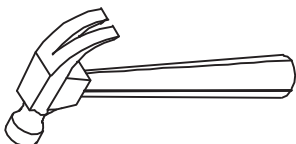
Note: The quantities below are the correct amount to complete the assembly. In some cases more fittings may be supplied than are required.

<p>A</p>  <p>15*12mm Cam lock x74+2</p>	<p>C</p>  <p>15*9.5mm Cam lock x74+2</p>	<p>D</p>  <p>6x60mm Dowel x 12</p>	<p>E</p>  <p>6x40mm Dowel x 91</p>
<p>F</p>  <p>3x16mm Screw x 33</p>	<p>G</p>  <p>x16</p>	<p>I</p>  <p>7x50mm Screw x 13</p>	<p>T</p>  <p>7x40mm Screw x 9</p>
<p>K</p>  <p>x8</p>	<p>M</p>  <p>x76</p>	 <p>x1</p>	<p>H</p>  <p>x3</p>

## Tools required Not Included



Phillips screwdriver  
(medium & large)



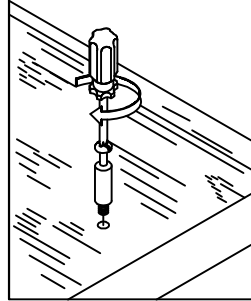
# Using Camlocks

## Step 1

Connect the male camlock as directed in the assembly instructions using a screwdriver.

1

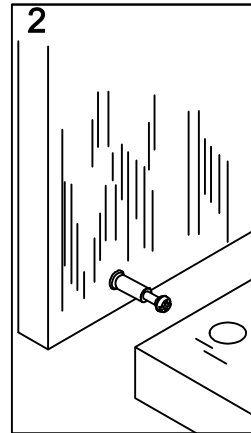
DO NOT OVER TIGHTEN.  
NE PAS SERRER EXCESSIVEMENT.



## Step 2

Push the male camlock into the entry hole.

2

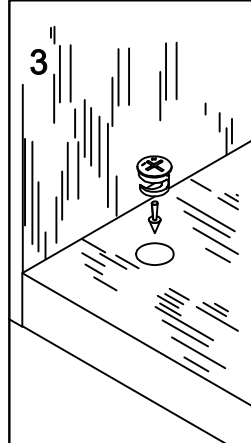


## Step 3

Insert the female camlock as shown in the instruction.

Note: ensure that the arrow on the top of the camlock points towards the entry hole for the male camlock.

3



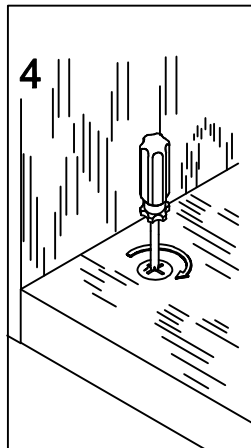
## Step 4

Turn the female camlock clockwise with a screwdriver.

You should feel a click when the camlock is locked in place.

The joint is now secure.

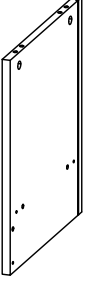

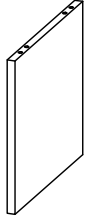
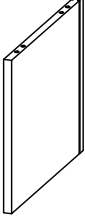
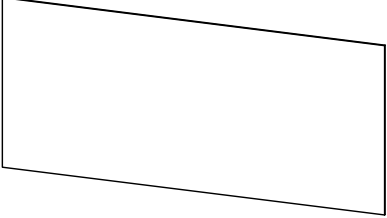
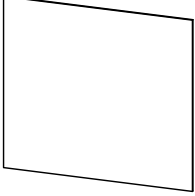


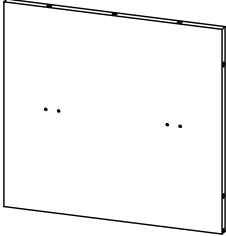
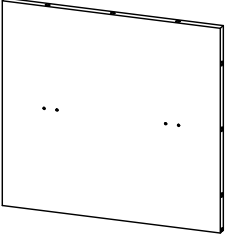
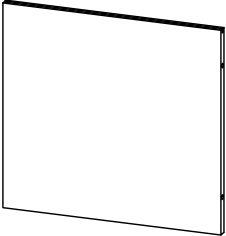
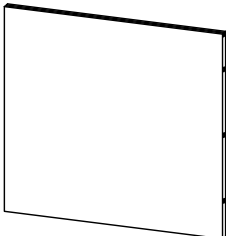
4




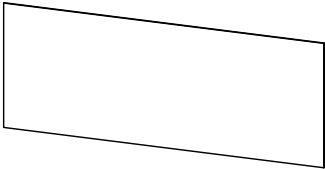
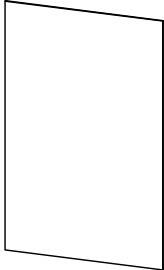
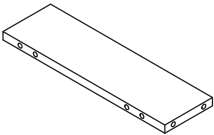
# Components - Parts

Please check you have all the panels listed below.

## BOX A

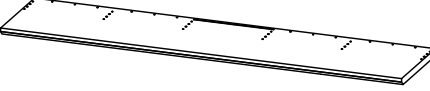
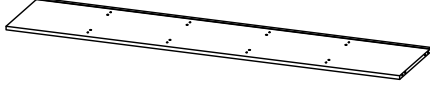

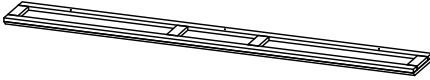






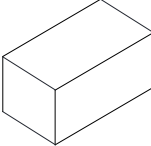
<p>③</p> 	<p>④</p> 	<p>⑤</p> 
<p><b>Side Panel (L)</b> 405*360*15 1PC</p>	<p><b>Side Panel (R)</b> 405*360*15 1PC</p>	<p><b>Center Panel (1)</b> 340*290*15 2PC</p>
<p>⑥</p> 	<p>⑧</p> 	<p>⑨</p> 
<p><b>Center Panel (2)</b> 340*290*15 2PC</p>	<p><b>Back Panel (1)</b> 664*297*4 2PC</p>	<p><b>Back Panel (2)</b> 297*329*4 1PC</p>
<p>⑮</p> 	<p>⑰</p> 	<p>⑱</p> 
<p><b>Up Center Panel (3)</b> 1100*180*15 2PC</p>	<p><b>Up Middle Panel (Center)</b> 322*165*15 3PC</p>	<p><b>Back Support (L1)</b> 321*299*12 2PC</p>
<p>⑲</p> 	<p>⑳</p> 	<p>㉑</p> 
<p><b>Back Support (R1)</b> 321*299*12 2PC</p>	<p><b>Back Support (L2)</b> 321*299*12 2PC</p>	<p><b>Back Support (R2)</b> 321*299*12 2PC</p>

# Components - Parts

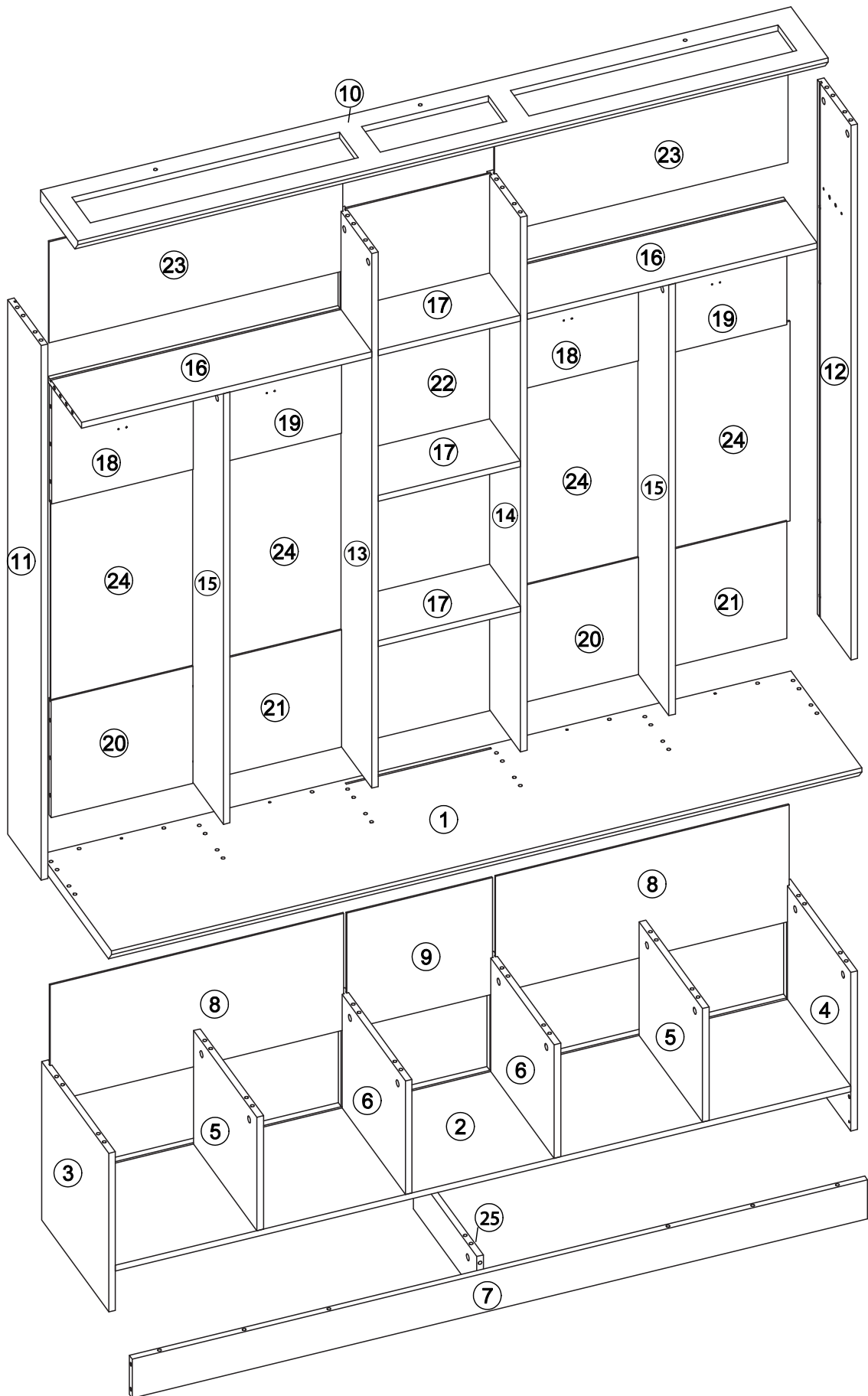
<p>22</p> 	<p>23</p> 	<p>24</p> 
<p><b>Back Panel (Center)</b> 1372*329*4 1PC</p>	<p><b>Back Panel (L&amp;R)</b> 664*257*4 2PC</p>	<p><b>Back Panel (Door)</b> 509*328*4 4PC</p>
<p>25</p> 		
<p><b>Cabinet Leg</b> 340*100*15 1PC</p>		

# Components - Parts

## BOX B

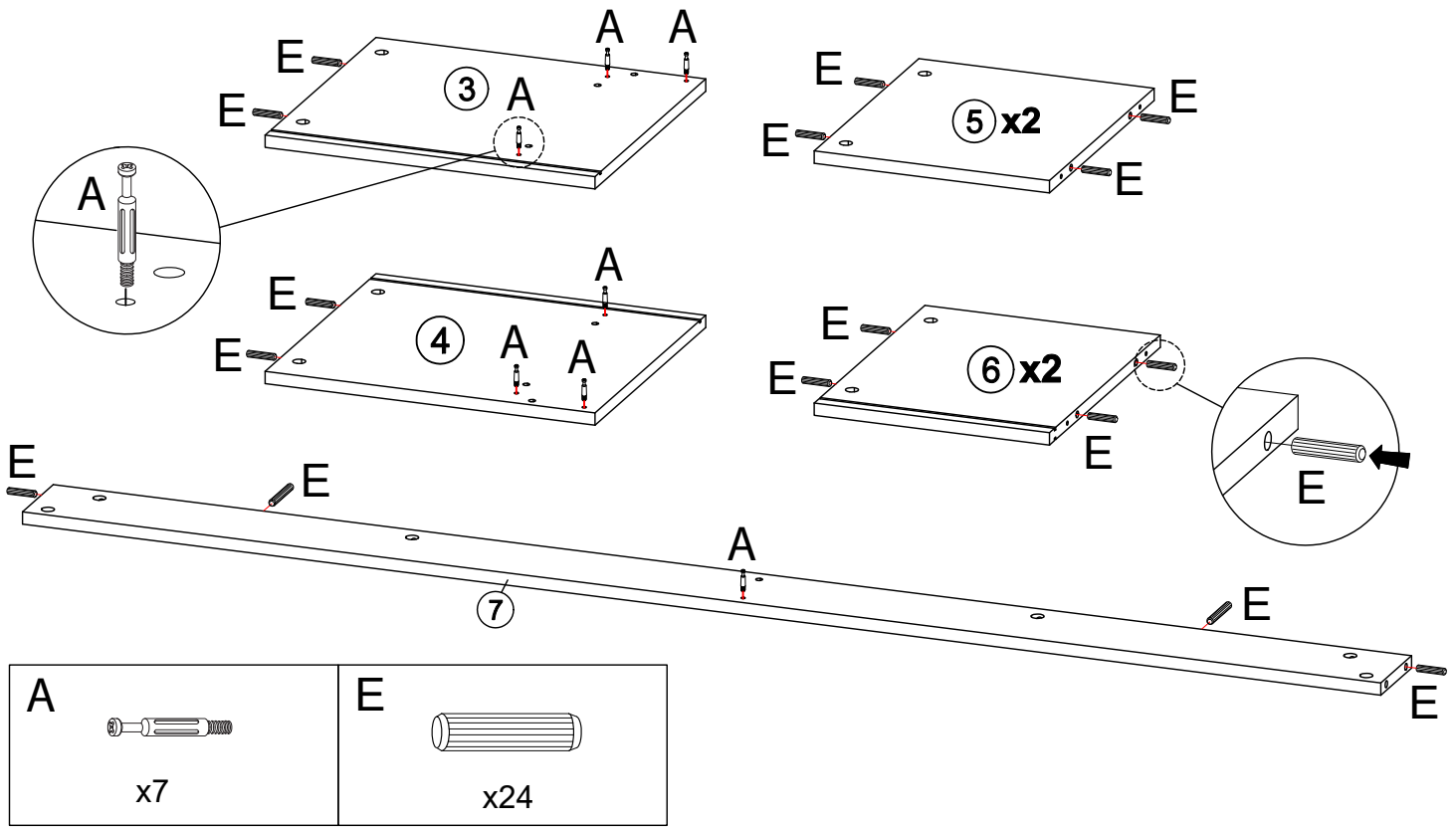
<p>①</p> 	<p>②</p> 	<p>⑦</p> 
<p><b>Top Panel</b> 1668*38*30 1PC</p>	<p><b>Bottom Panel</b> 1668*360*15 1PC</p>	<p><b>Cabinet Leg</b> 1666*100*15 1PC</p>
<p>⑩</p> 	<p>⑪</p> 	<p>⑫</p> 
<p><b>Up Top Panel</b> 1700*200*30 2PC</p>	<p><b>Up Side Panel (L)</b> 1365*180*15 1PC</p>	<p><b>Up Side Panel (R)</b> 1365*180*15 1PC</p>
<p>⑬</p> 	<p>⑭</p> 	<p>⑯</p> 
<p><b>Up Center Panel (1)</b> 1365*180*15 1PC</p>	<p><b>Up Center Panel (2)</b> 1365*180*15 1PC</p>	<p><b>Up Middle Panel</b> 657*180*15 2PC</p>
<p>⑳</p> 		
<p><b>Back Panel (Center)</b> 1372*329*4 1PC</p>	<p>Hardware kid x1</p>	

# Assembly Instructions

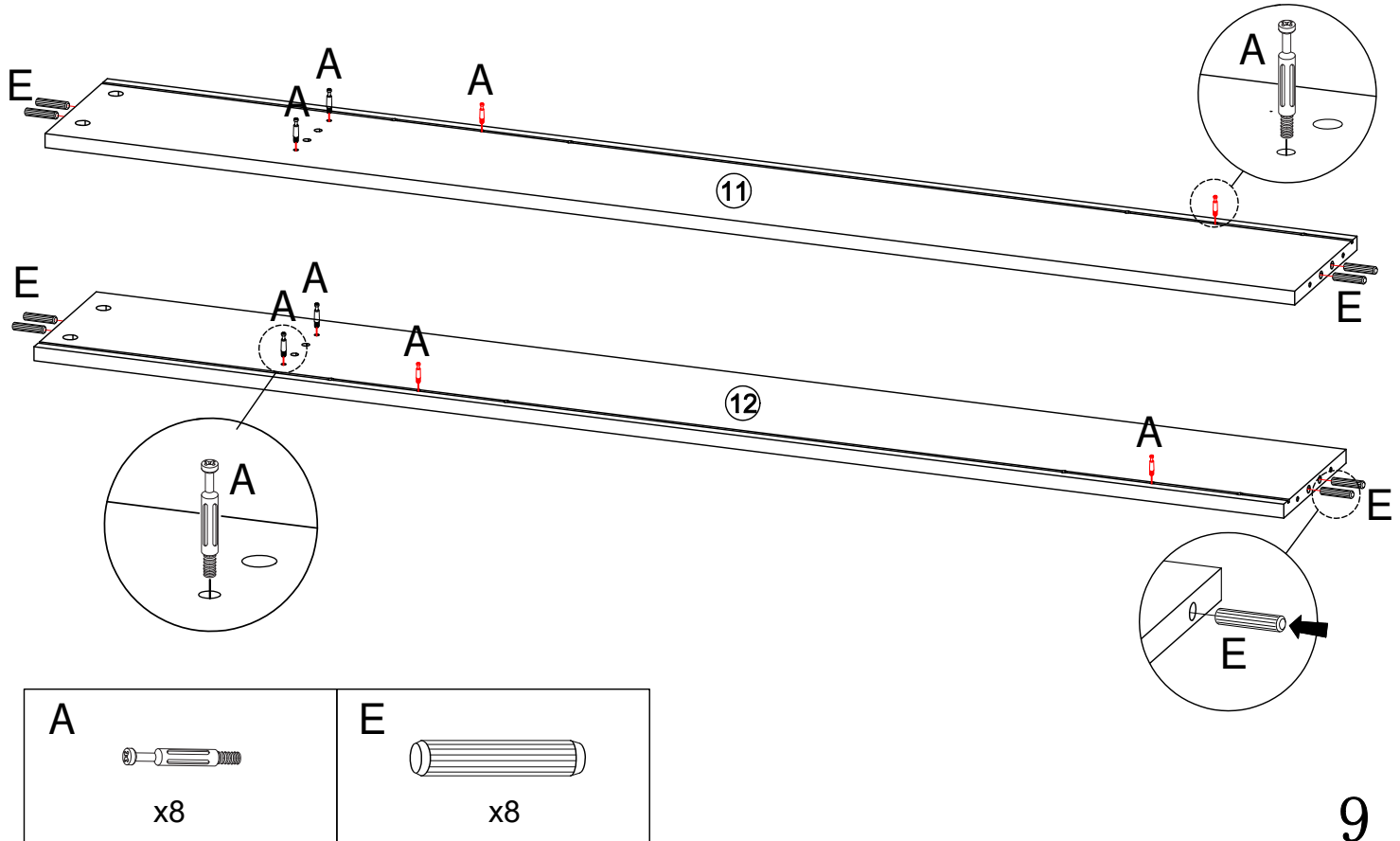




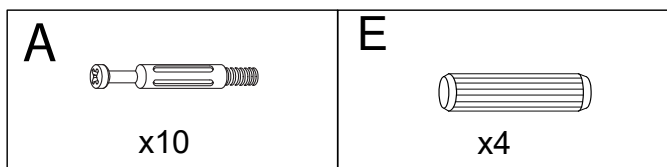
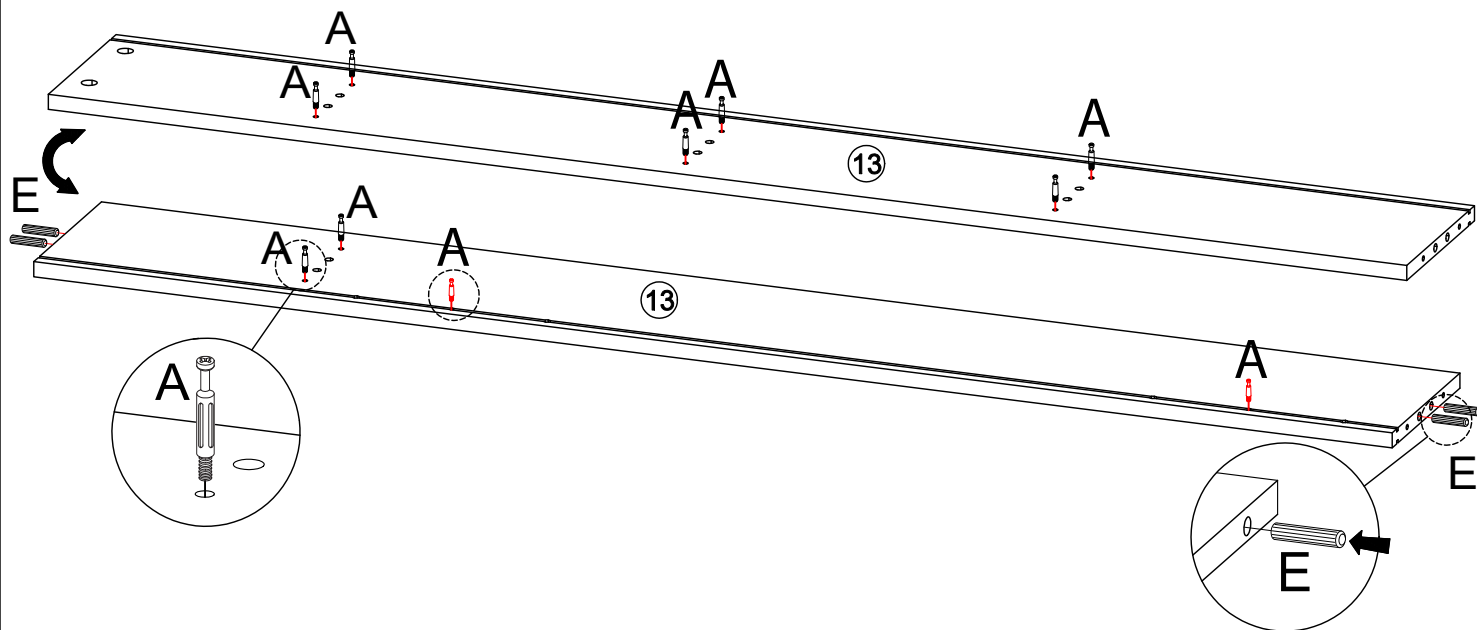
STEP 3



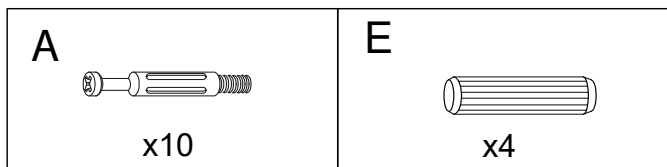
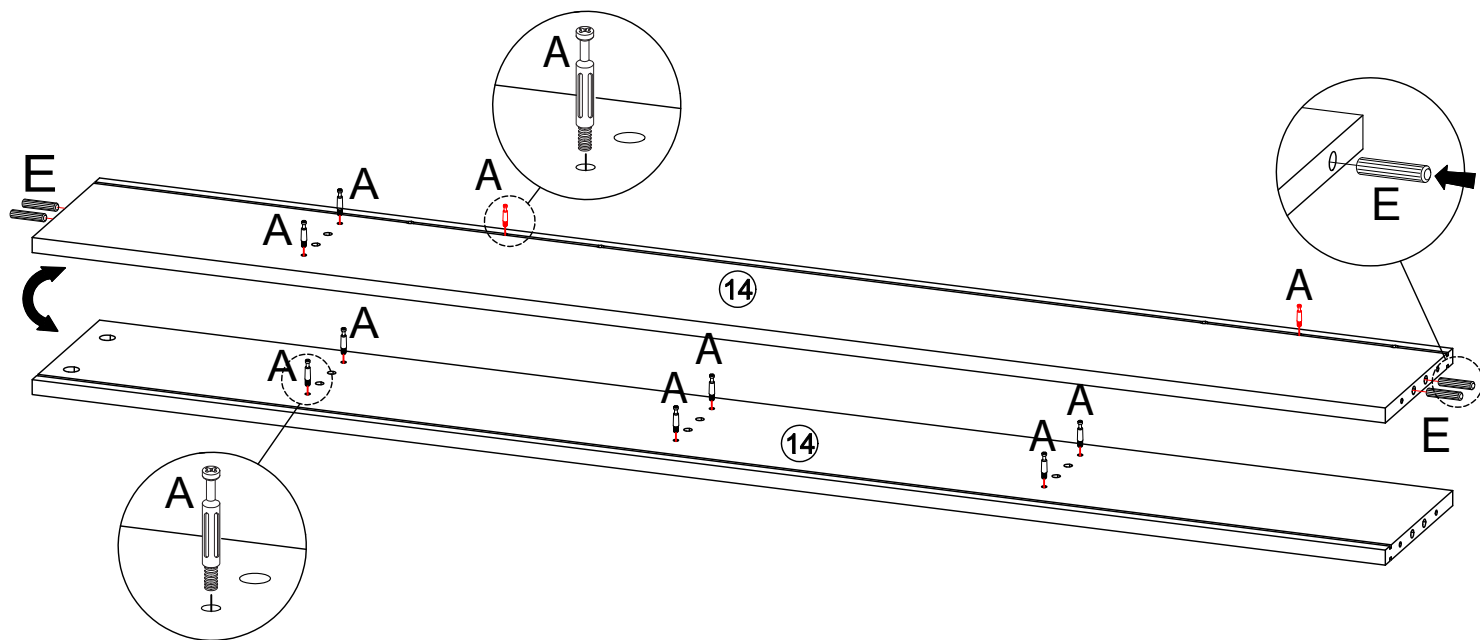
STEP 4



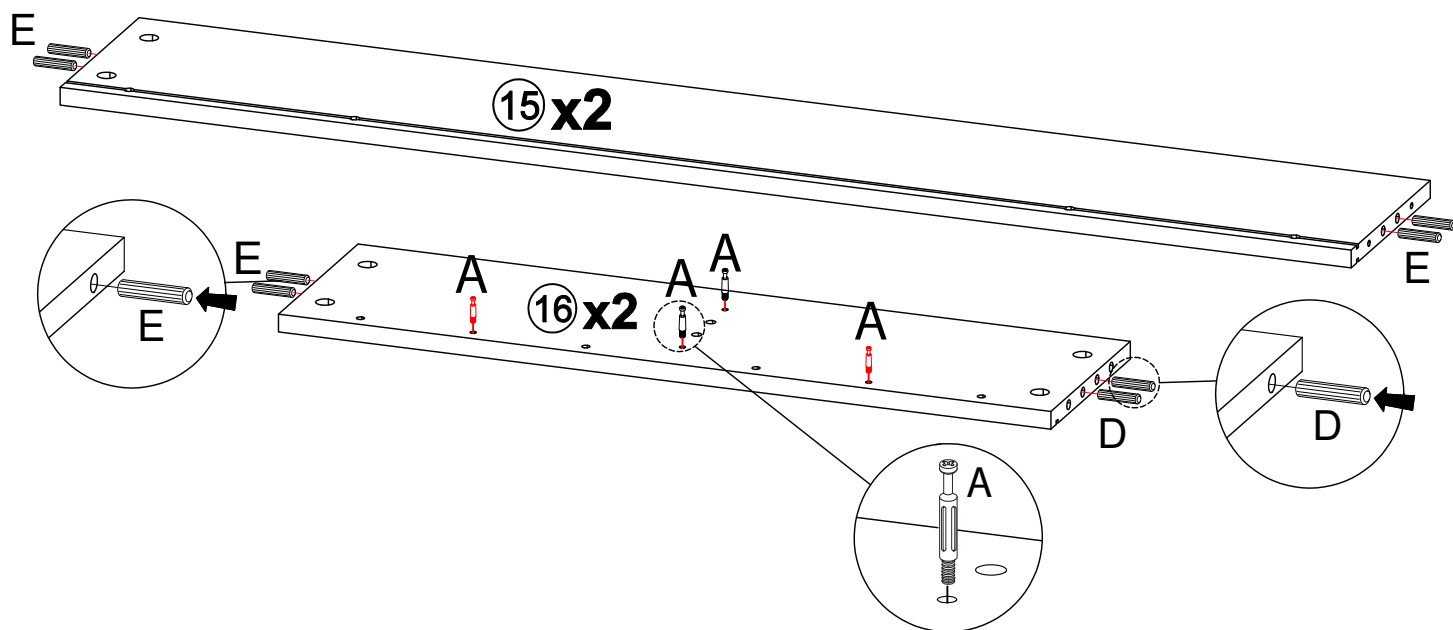
STEP 5






STEP 6

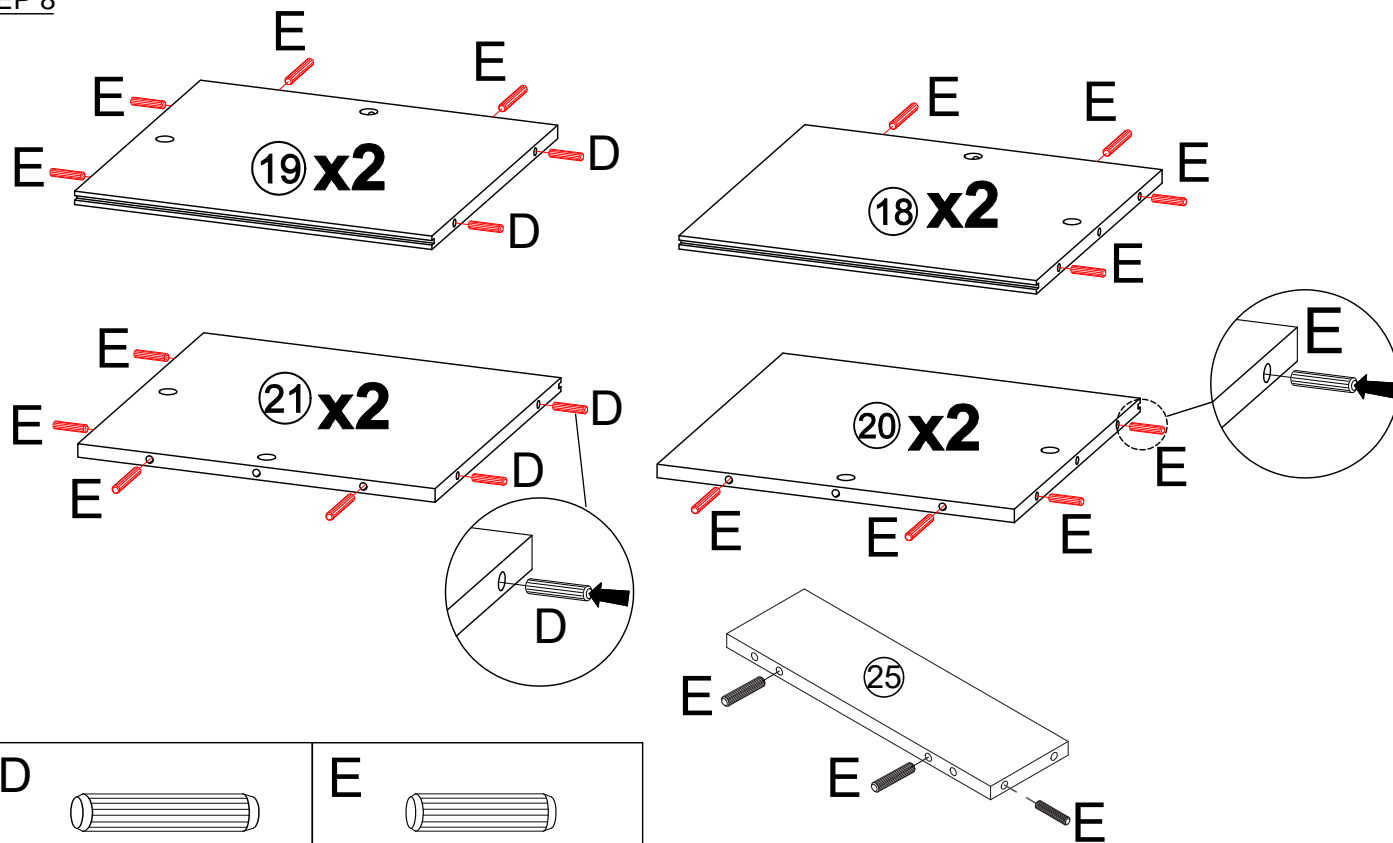




STEP 7



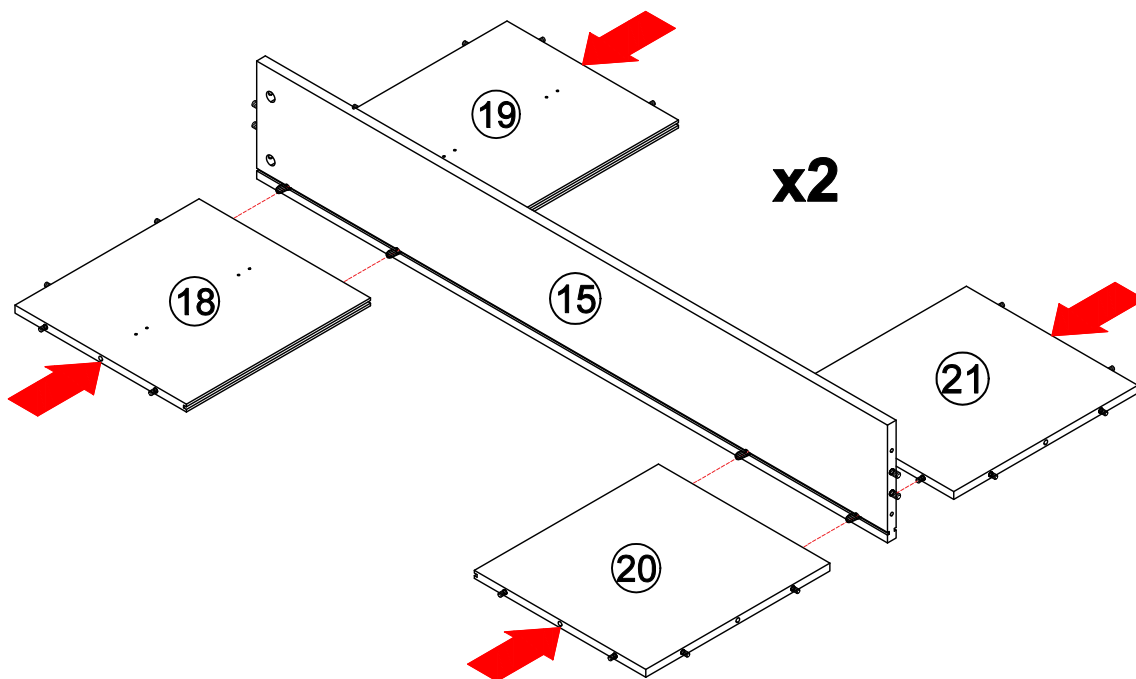
<p><b>A</b></p>  <p>x8</p>	<p><b>D</b></p>  <p>x4</p>	<p><b>E</b></p>  <p>x12</p>
--	--	---

STEP 8

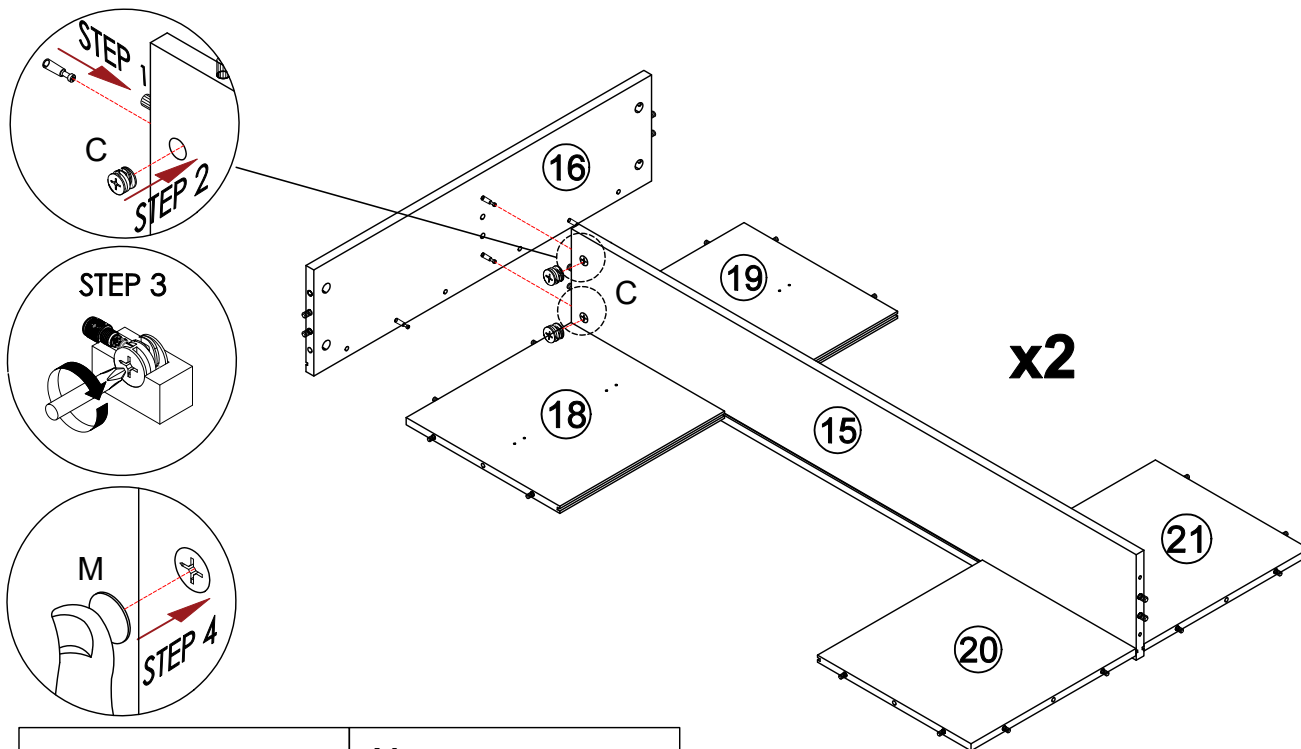




<p><b>D</b></p>  <p>x8</p>	<p><b>E</b></p>  <p>x35</p>
---	--

STEP 9

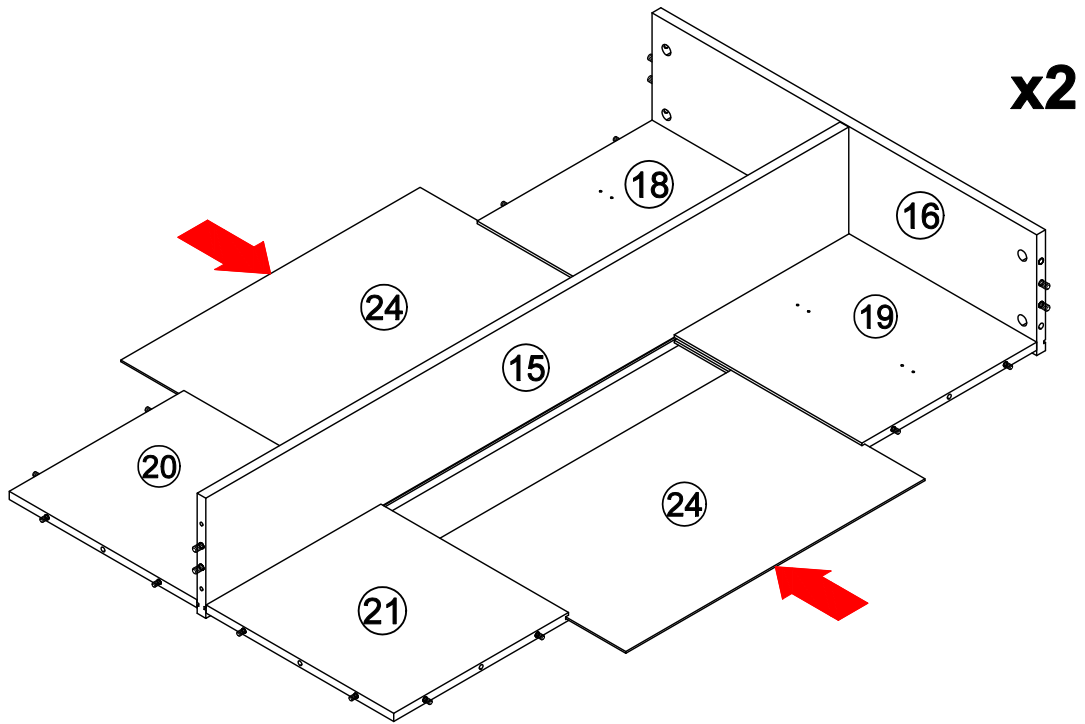


STEP 10

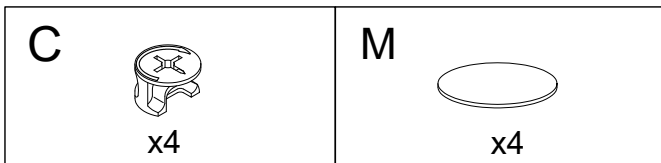
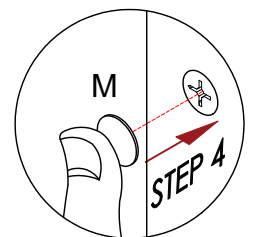
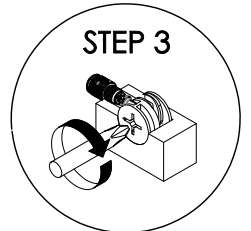
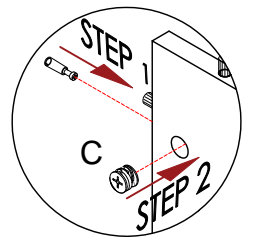
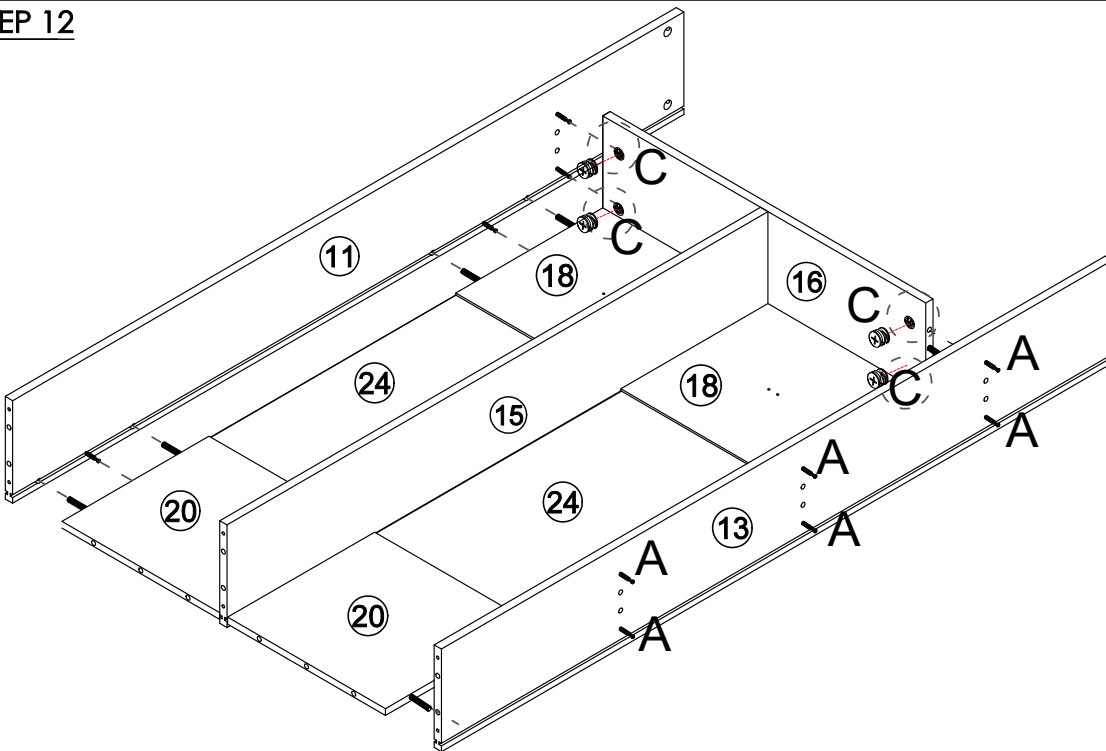


C  x4	M  x4
--	--

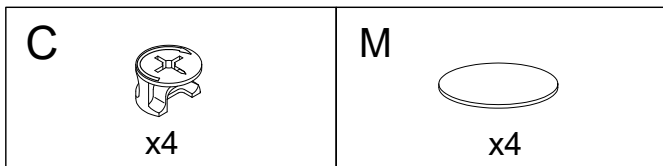
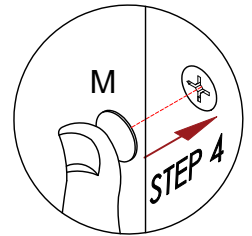
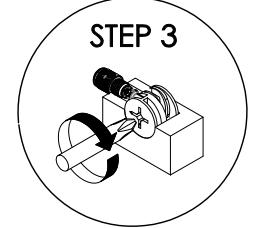
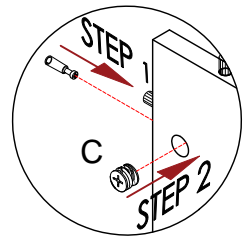
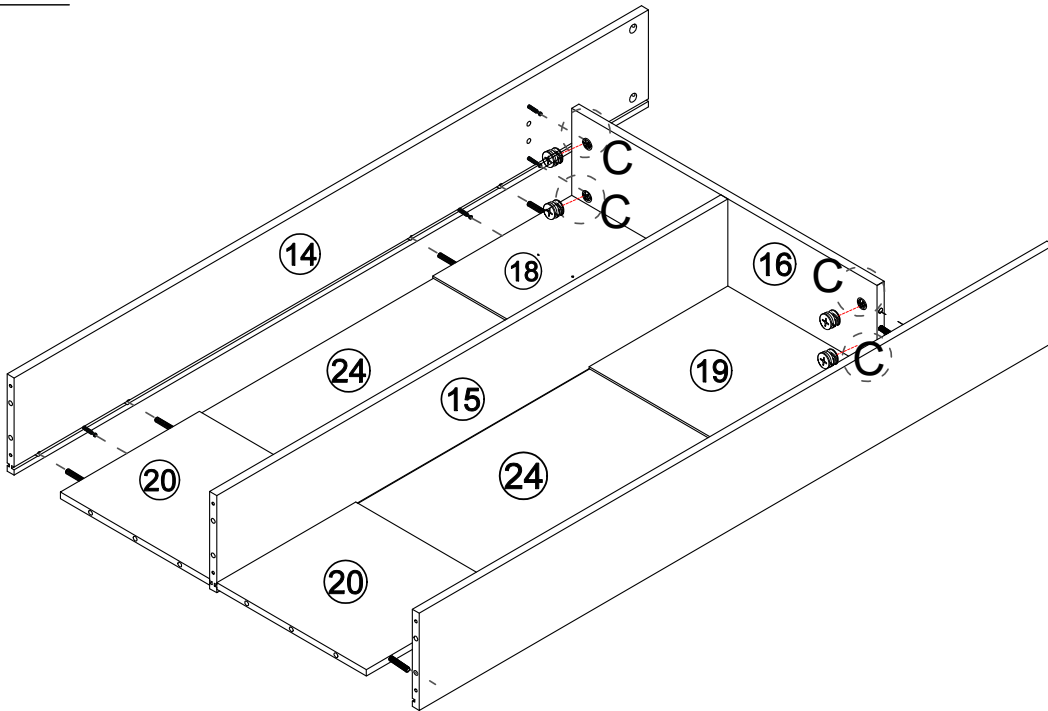
STEP 11



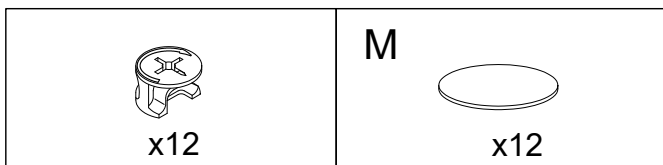
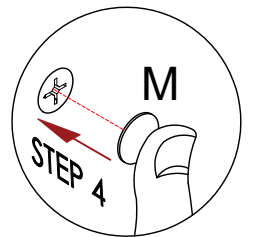
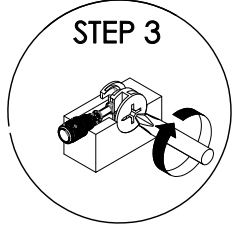
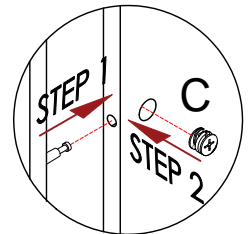
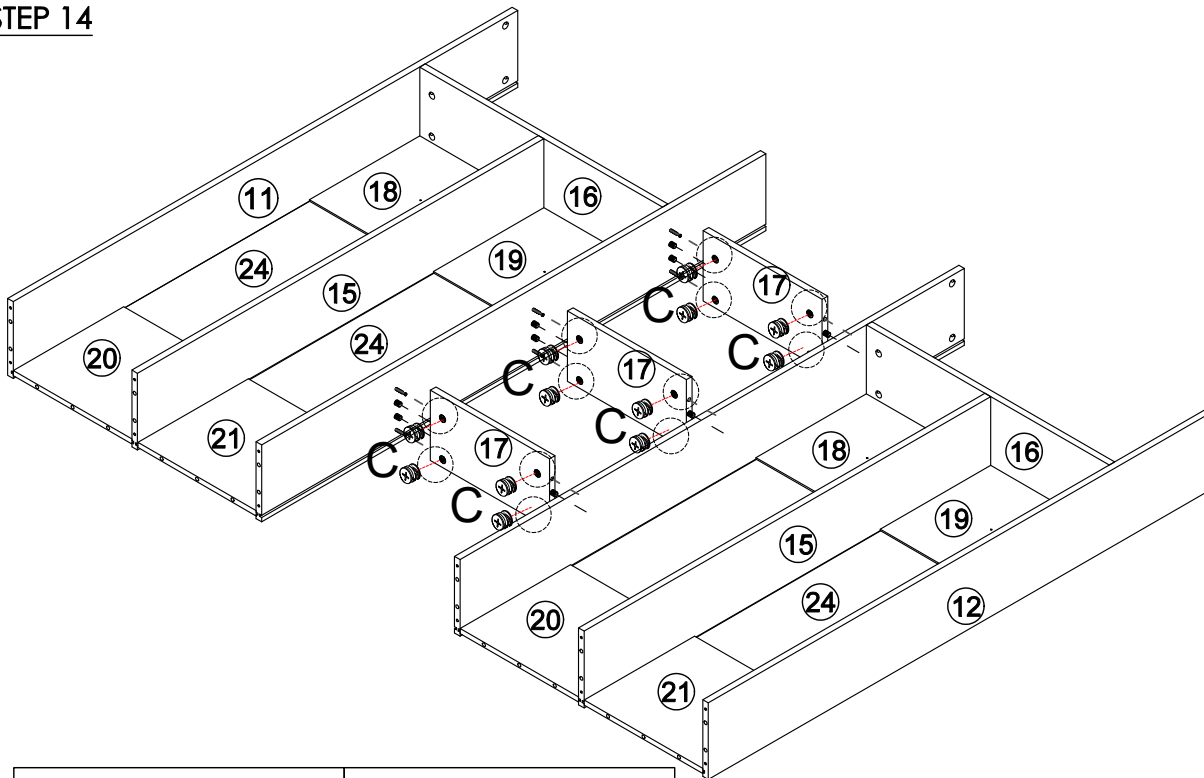
STEP 12



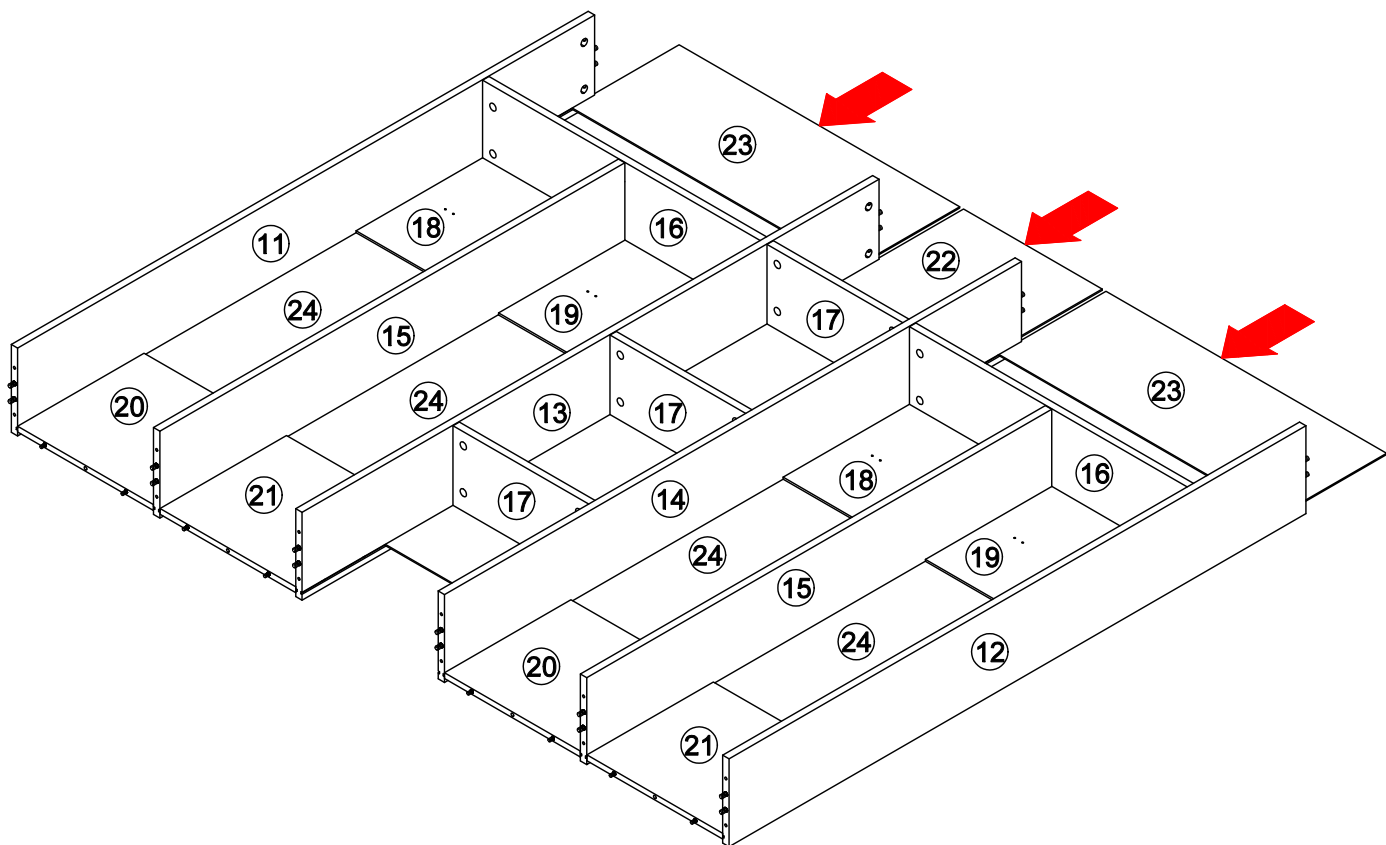
STEP 13



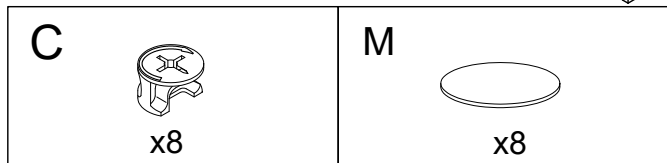
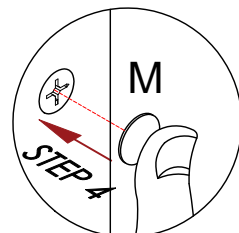
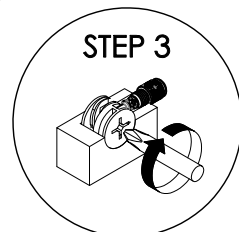
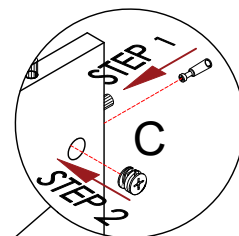
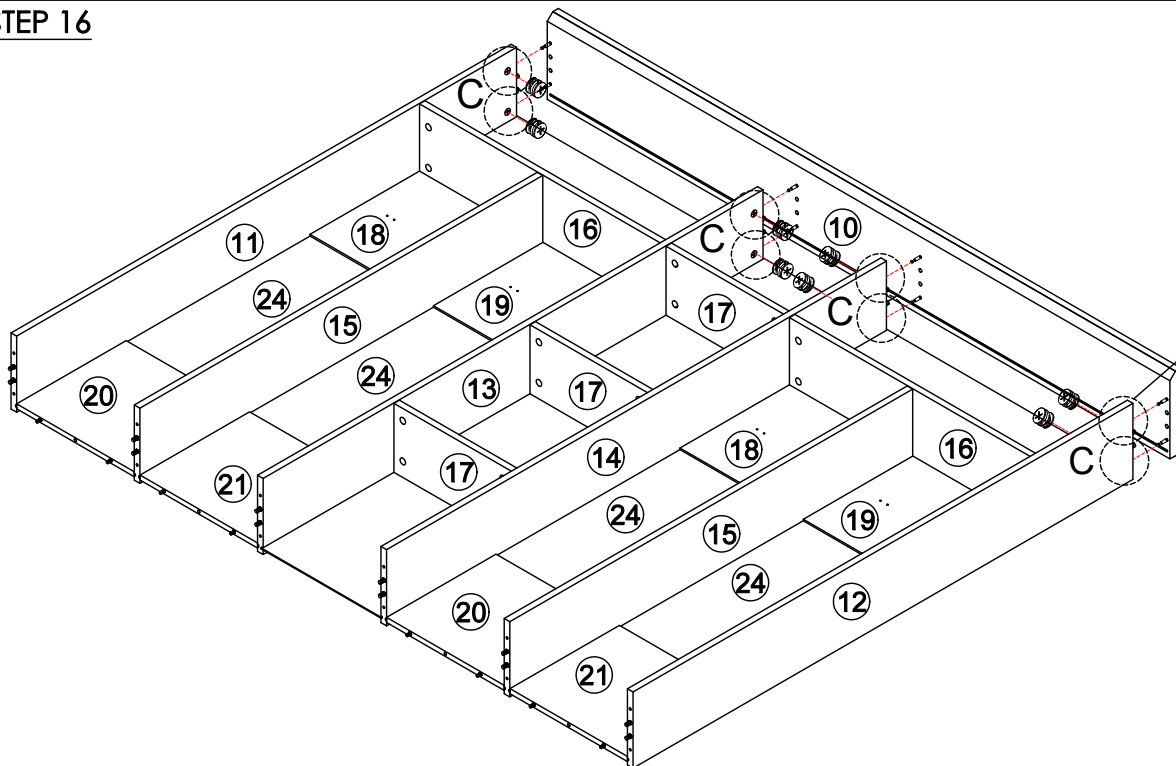
STEP 14



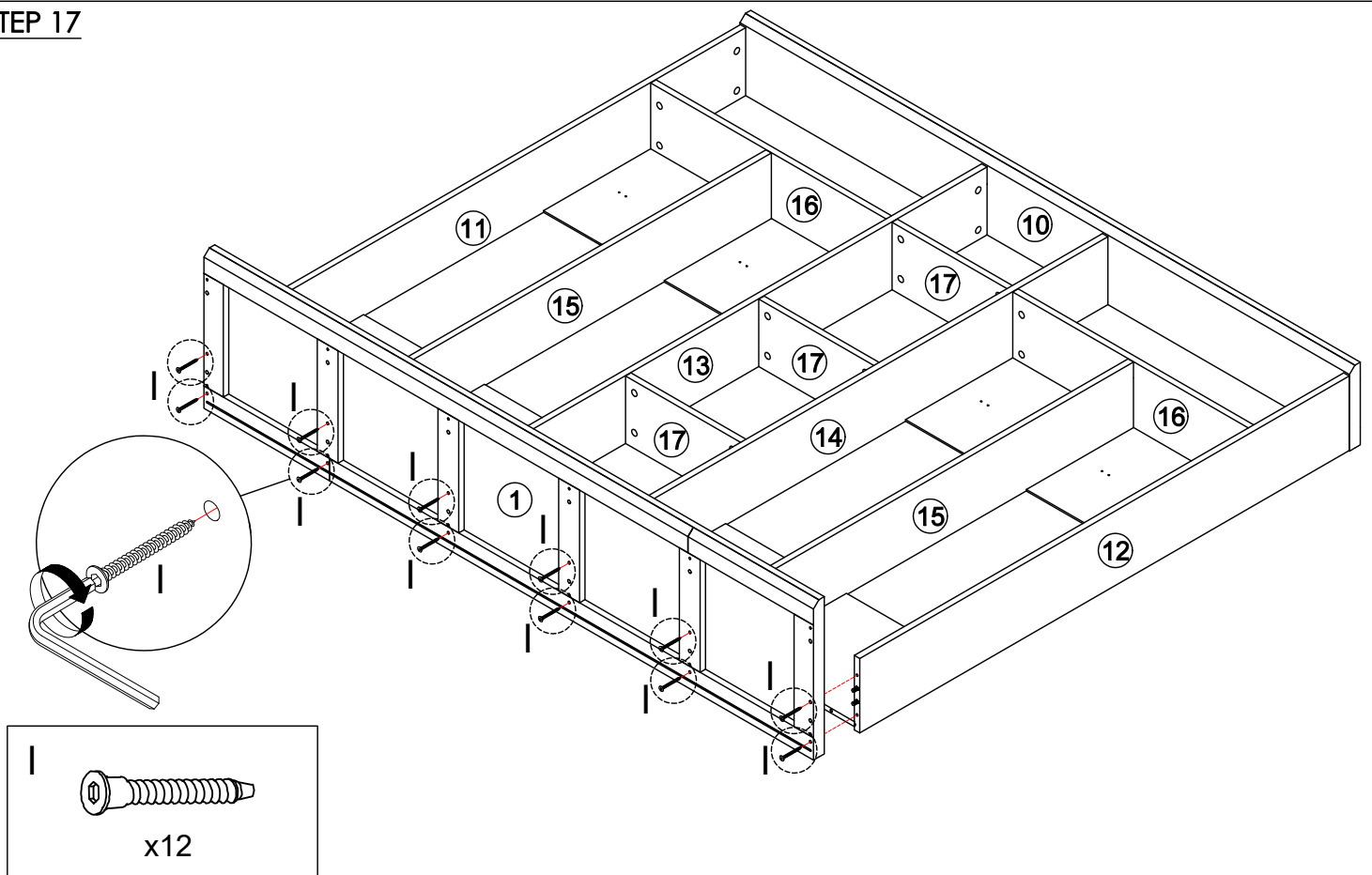
STEP 15



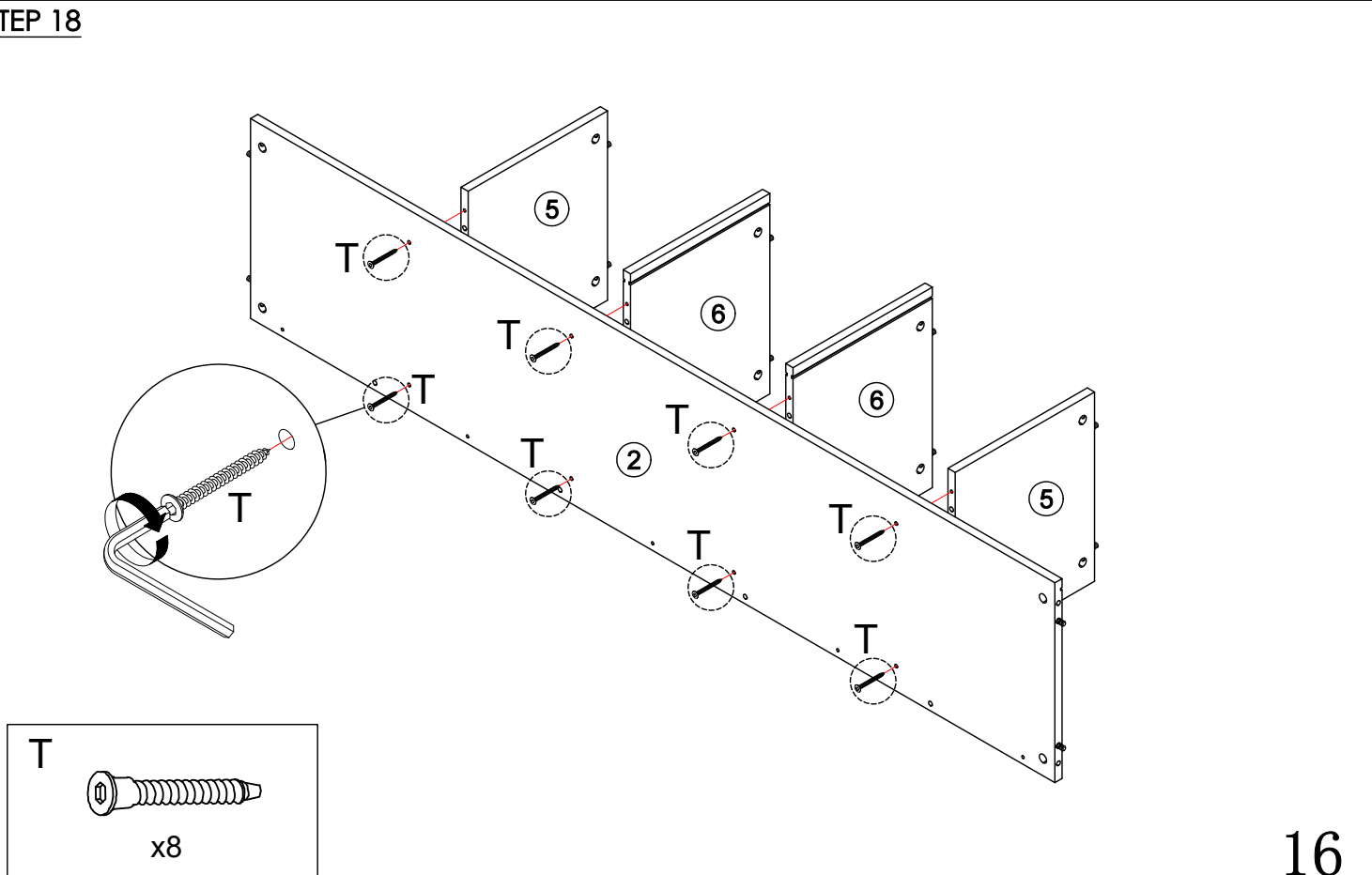
STEP 16



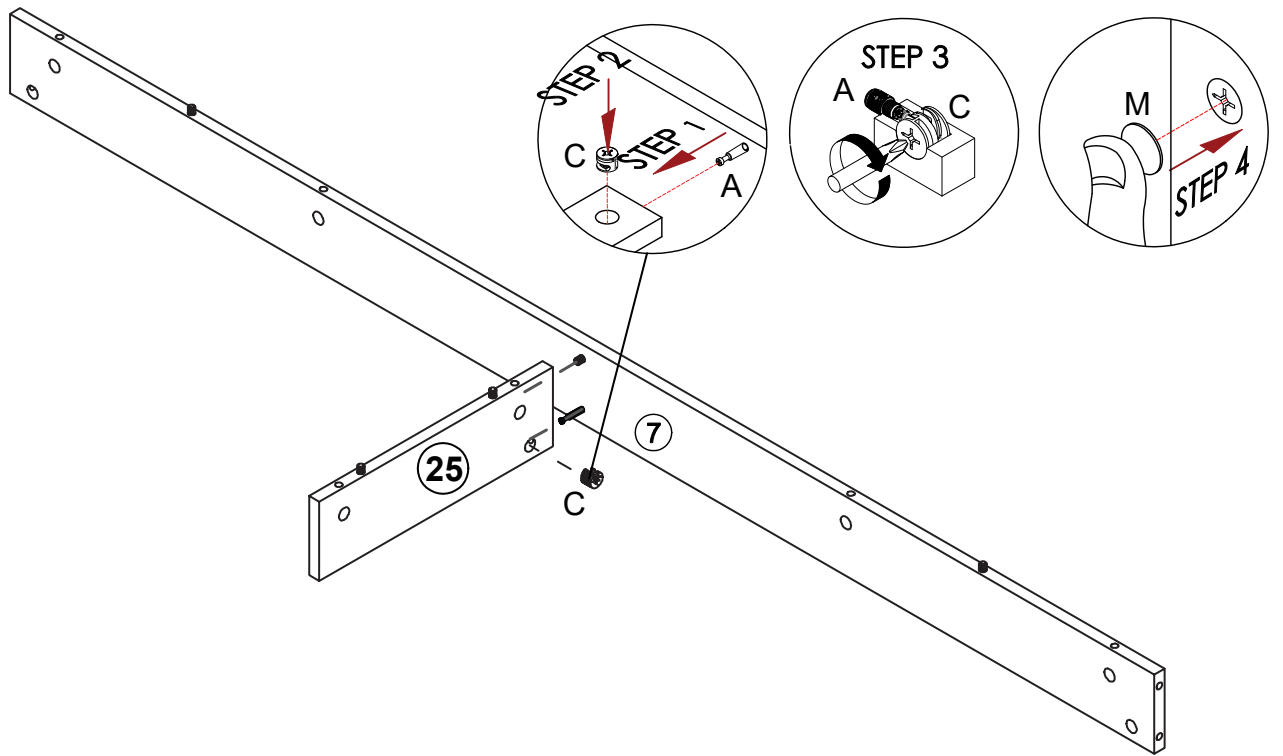
STEP 17





STEP 18

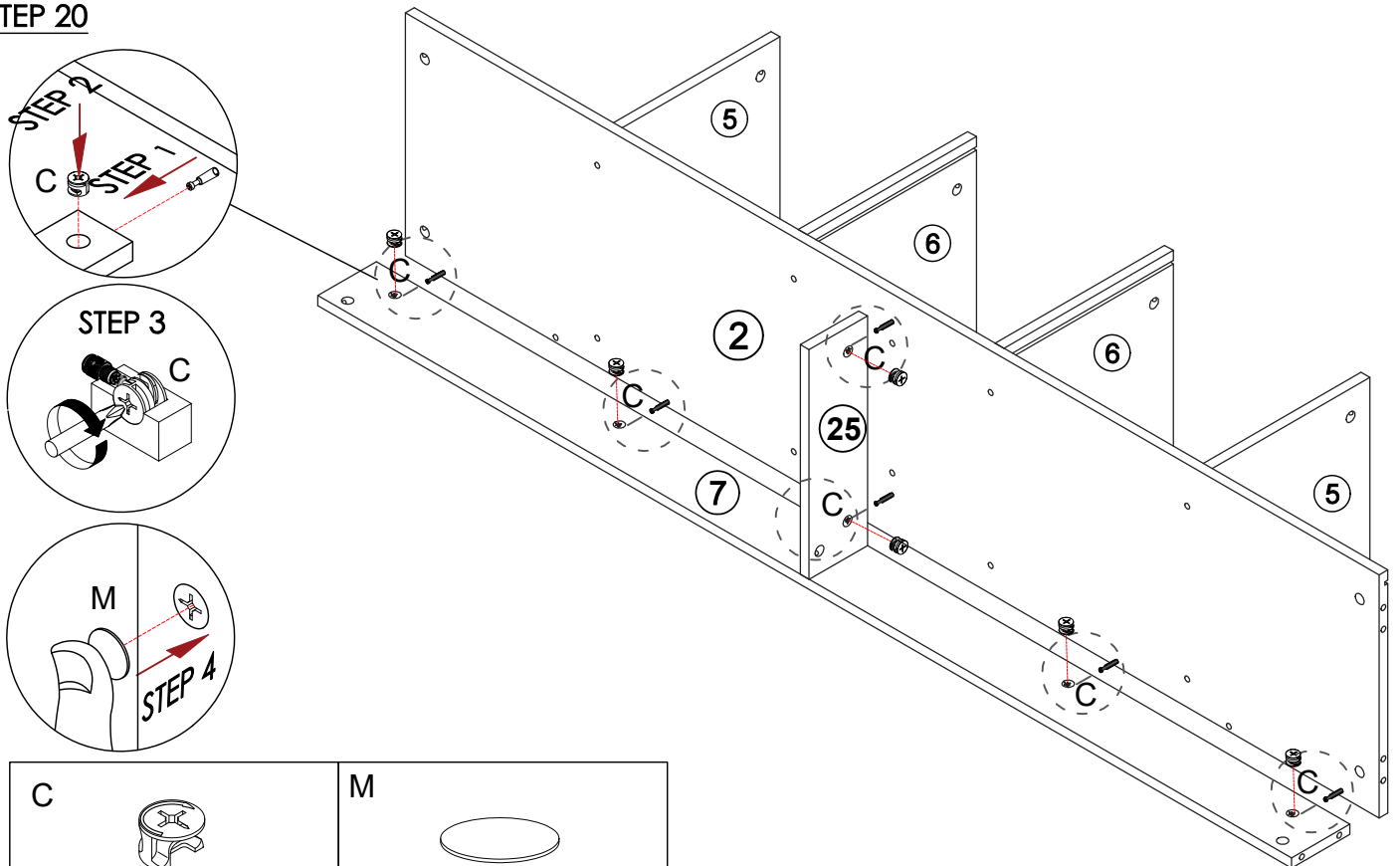




STEP 19



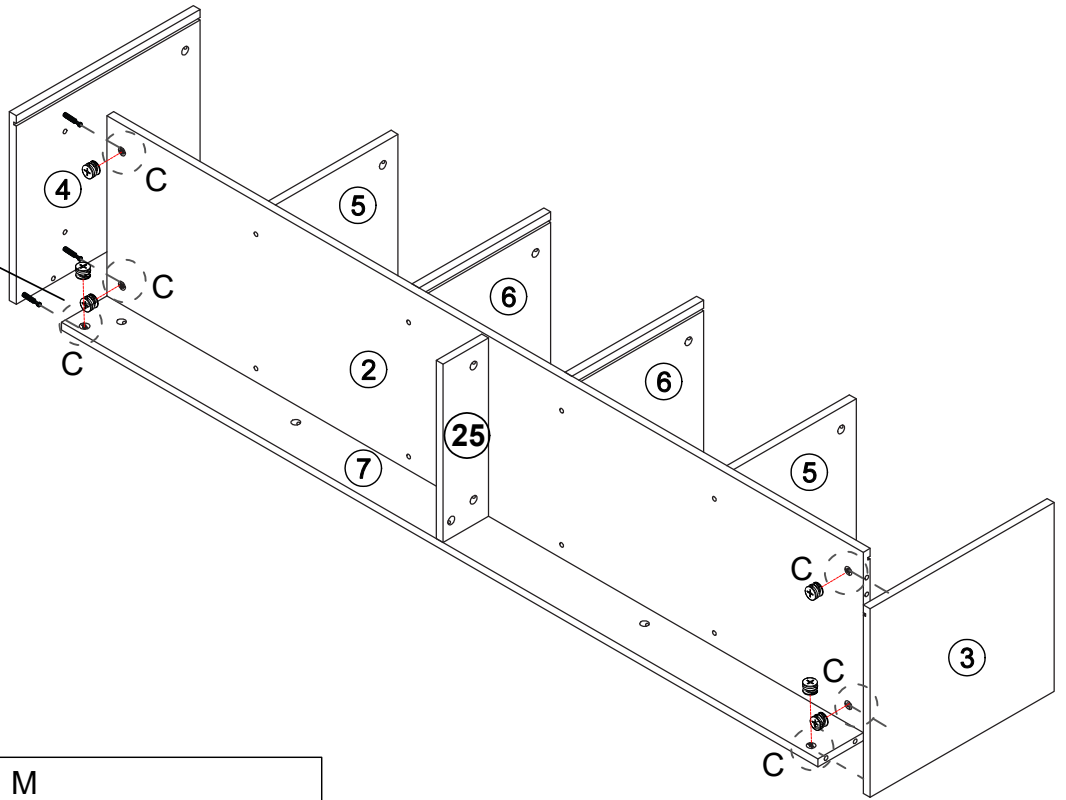
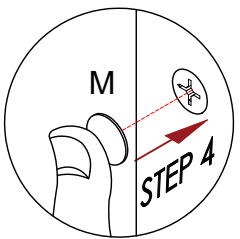
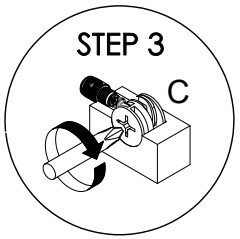
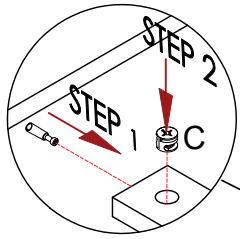
C		M	
	x1		x1



STEP 20



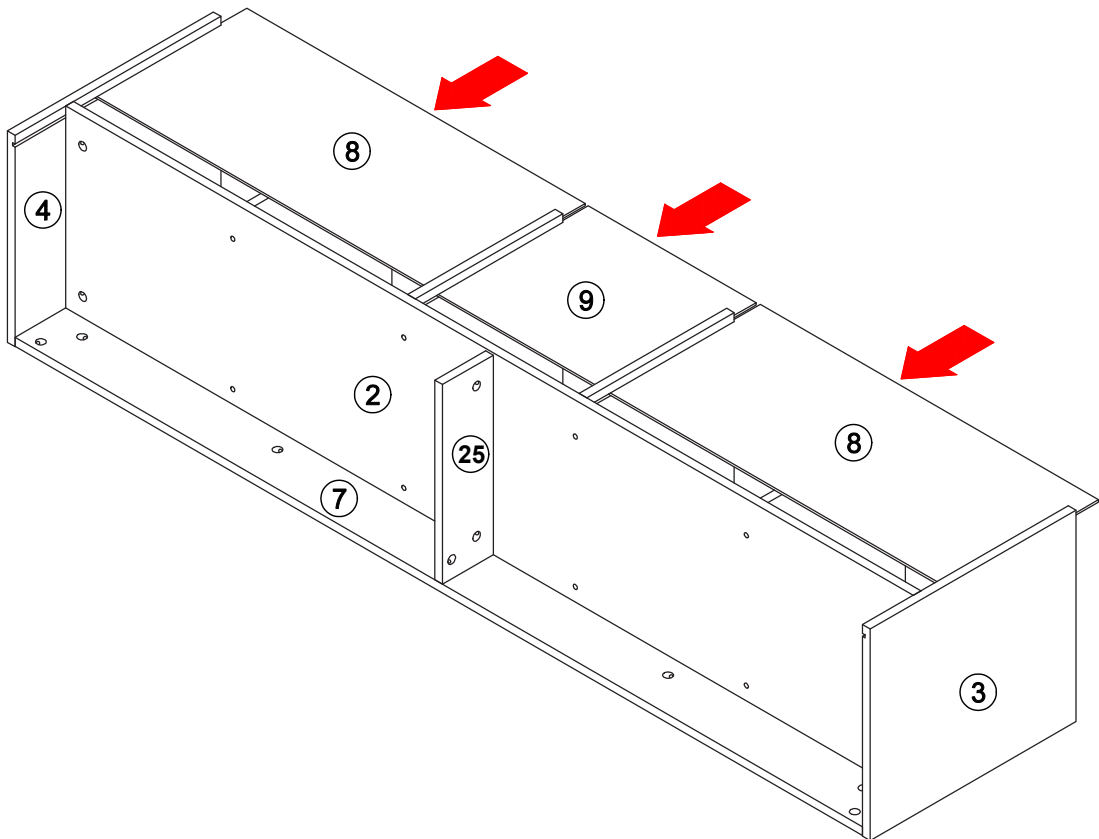
C		M	
	x6		x6

**STEP 21**



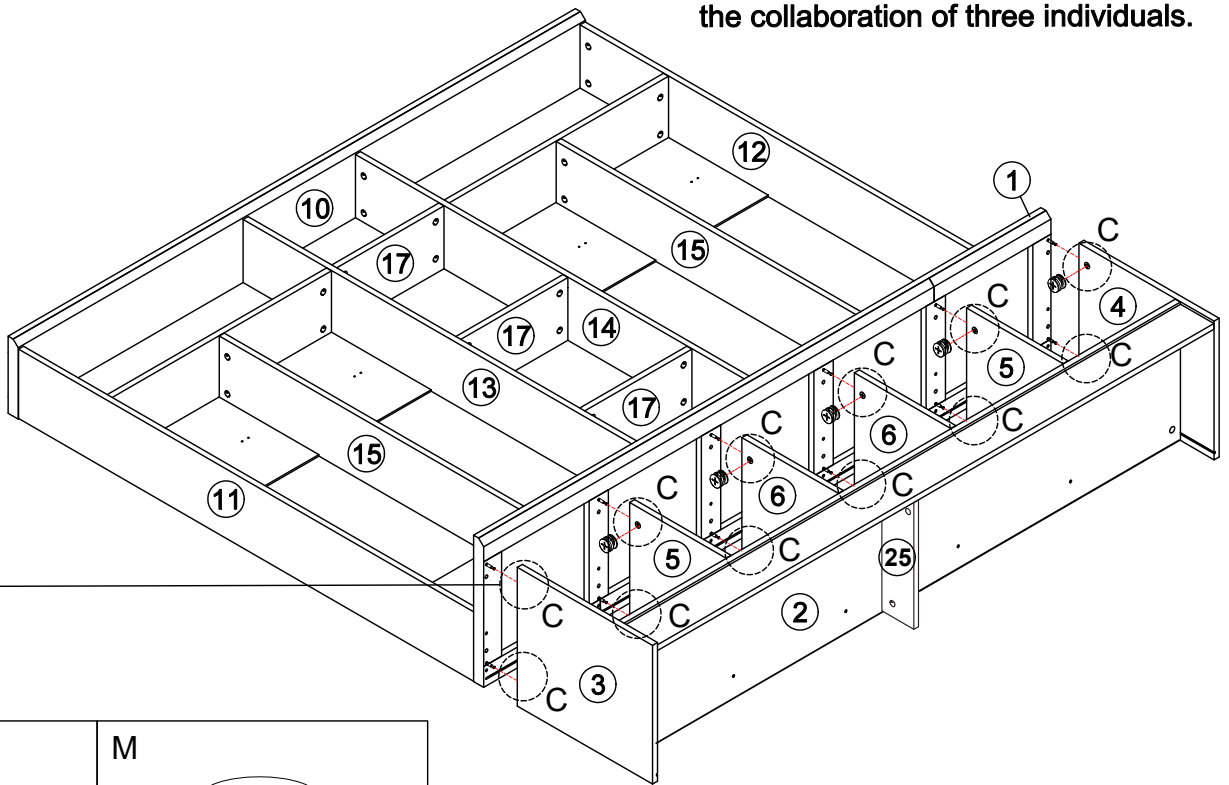
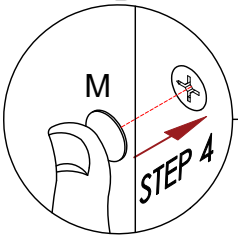
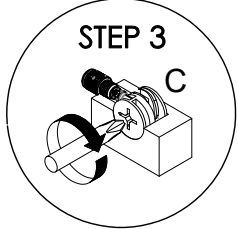
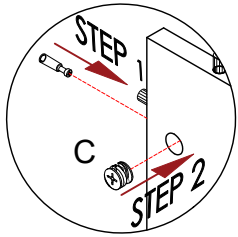
<p>C</p>  <p>x6</p>	<p>M</p>  <p>x6</p>
---	---



**STEP 22**



**STEP 23**

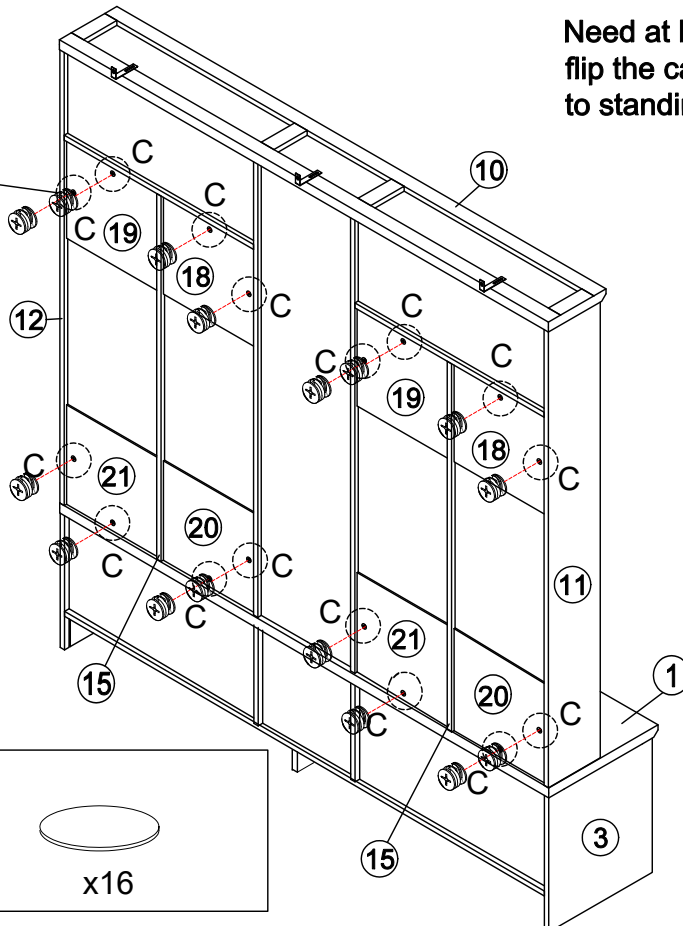
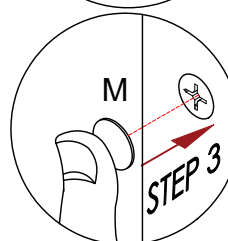
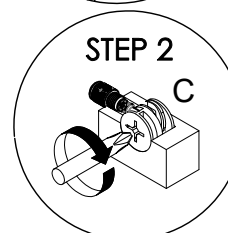
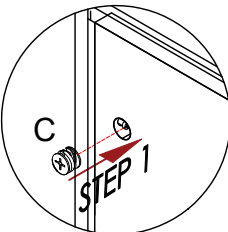
The assembly process requires the collaboration of three individuals.





<p>C</p>  <p>x12</p>	<p>M</p>  <p>x12</p>
--	---

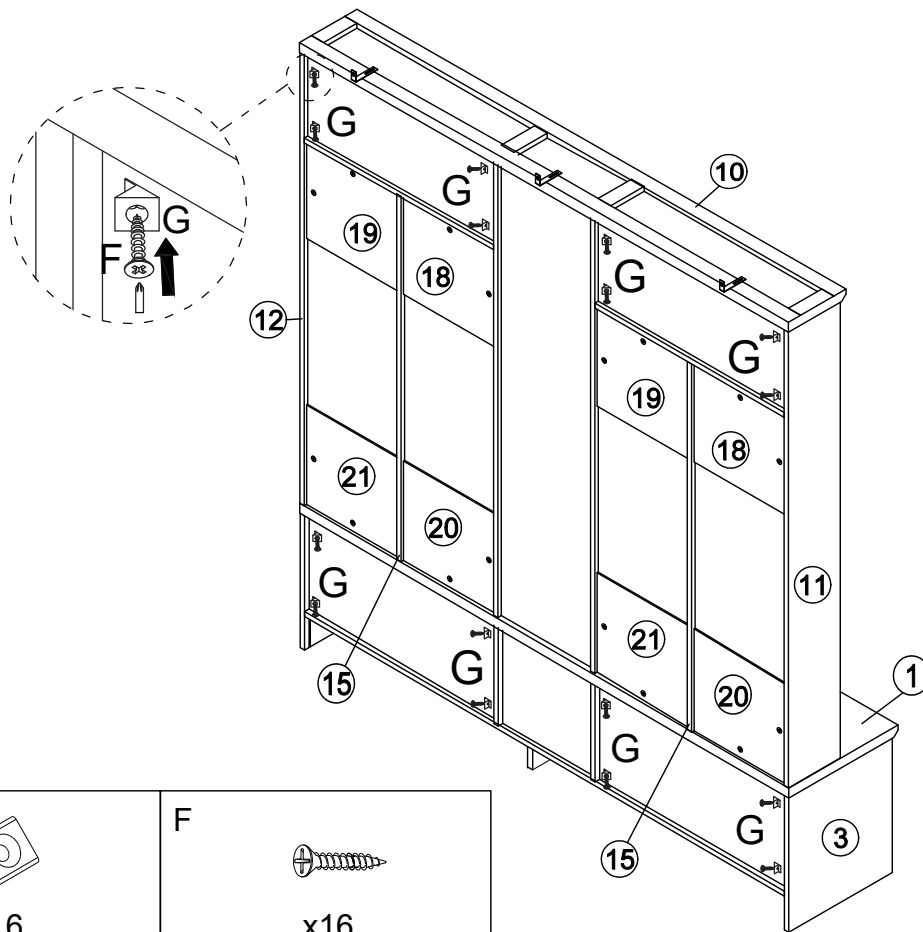
**STEP 24**

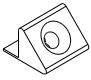
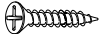
Need at least three person to flip the cabinet carefully to standing position.



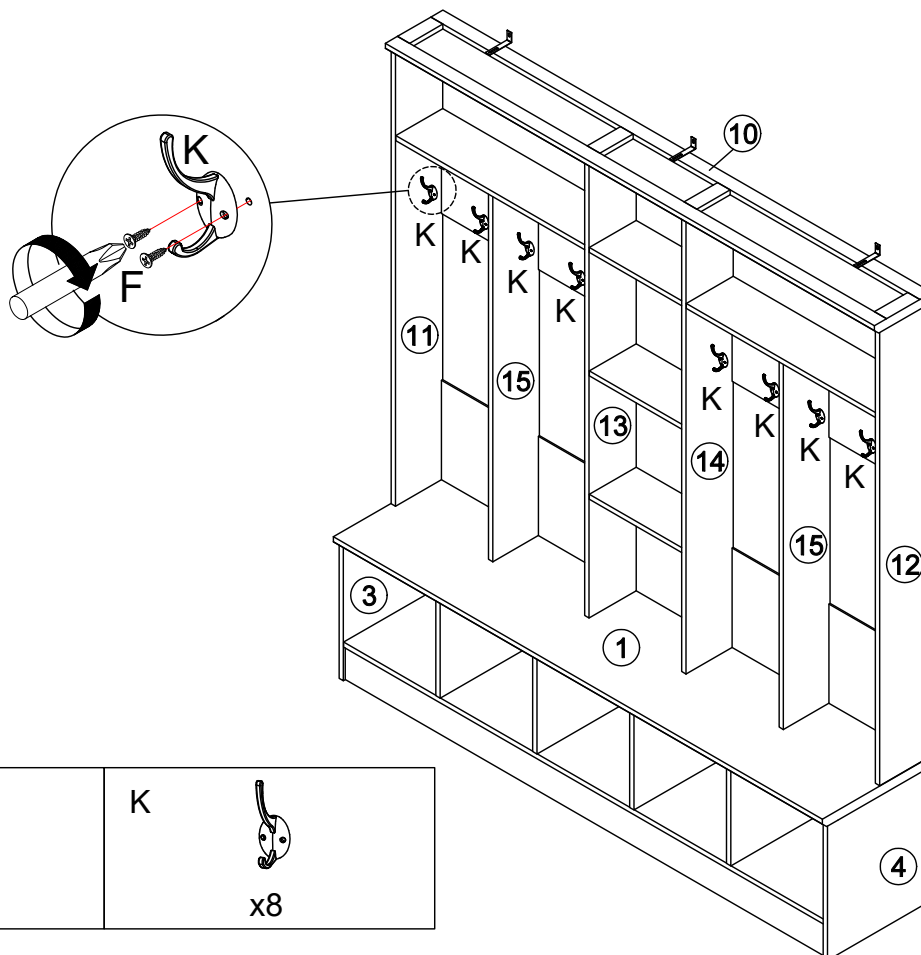
<p>C</p>  <p>x16</p>	<p>M</p>  <p>x16</p>
---	---



STEP 25



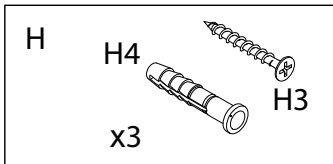
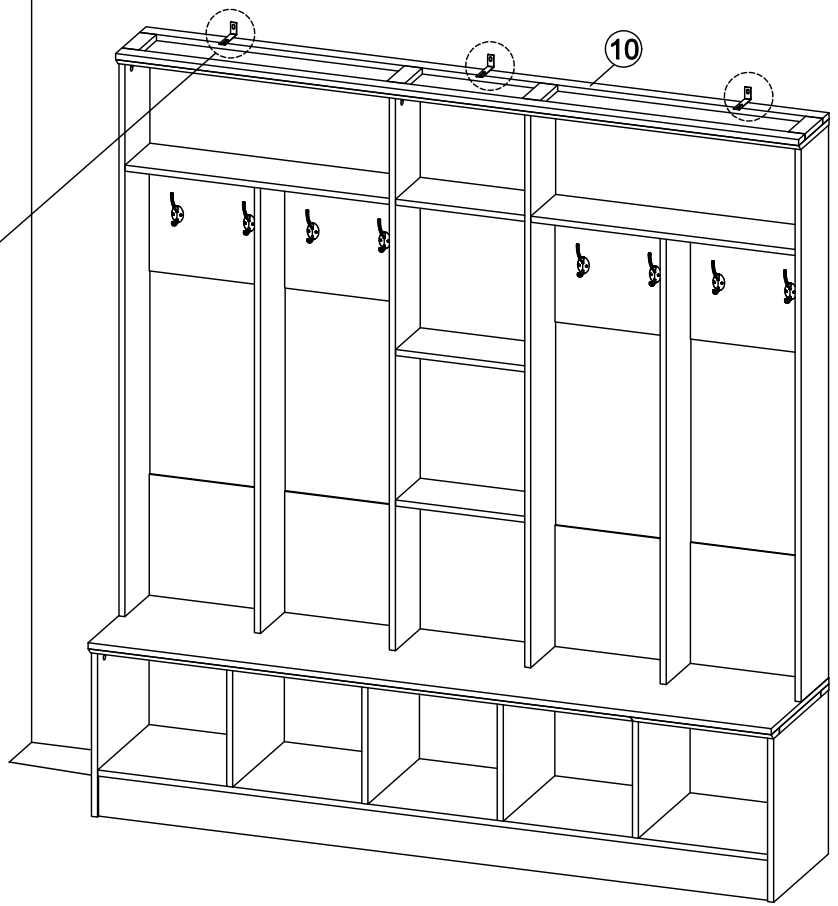
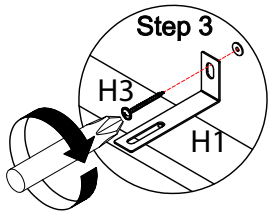
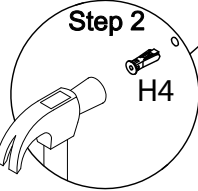
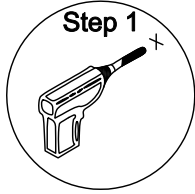
<p>G</p>  <p>x16</p>	<p>F</p>  <p>x16</p>
--	--

STEP 26



<p>F</p>  <p>x16</p>	<p>K</p>  <p>x8</p>
---	--

**STEP 27**



**STEP 28**

