

ASSEMBLY INSTRUCTIONS



Fine Furniture for every stage of life

Coffee Table

ASSEMBLY INSTRUCTIONS

ASSEMBLY TIPS:

1. Remove hardware from box and sort by size.
2. Please check to see that all hardware and parts are present prior to start of assembly.
3. Please follow attached instructions in the same sequence as numbered to assure fast & easy assembly.



WARNING!





1. Don't attempt to repair or modify parts that are broken or defective. Please contact the store immediately.
2. This product is for home use only and not intended for commercial establishments.












ASSEMBLY TIME

15 MINUTES

PARTS IDENTIFICATION

A	TOP		1PC
B	APRON		2PCS
C	LEG FRAME		2PCS
D	SHELF		1PC

HARDWARE IDENTIFICATION

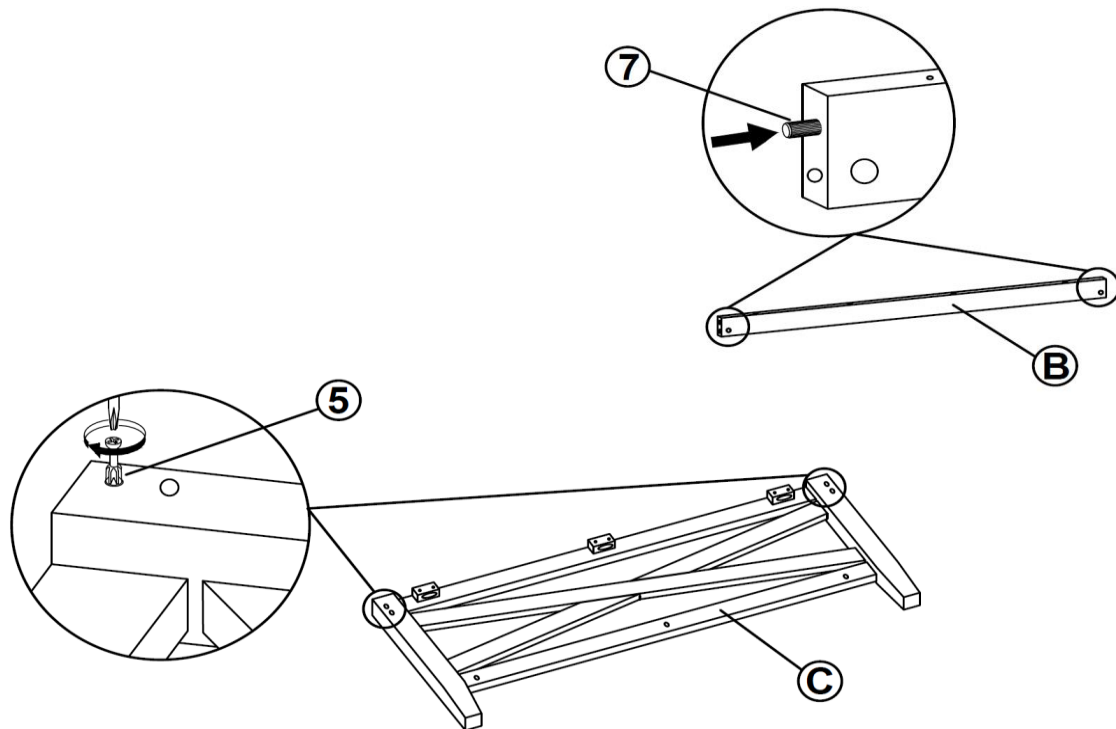
1	ALLEN WRENCH (M4 - BLK)		1PC
2	BOLT (M6 x 35mm - RBW)		6PCS
3	LOCK WASHER (M6 - RBW)		6PCS
4	FLAT WASHER (M6 - RBW)		6PCS
5	CAM BOLT (24MM - SR)		4PCS
6	CAM NUT (15/15+16 Z1 BRIGH - SR)		4PCS
7	PLASTIC DOWEL (M8 x 30mm - BLK)		4PCS
8	WAFER HEAD SCREW (M4 x 38mm - BLK)		6PCS
9	FLAT HEAD SCREW (M4 x 38mm - RBW)		8PCS

NOTE:

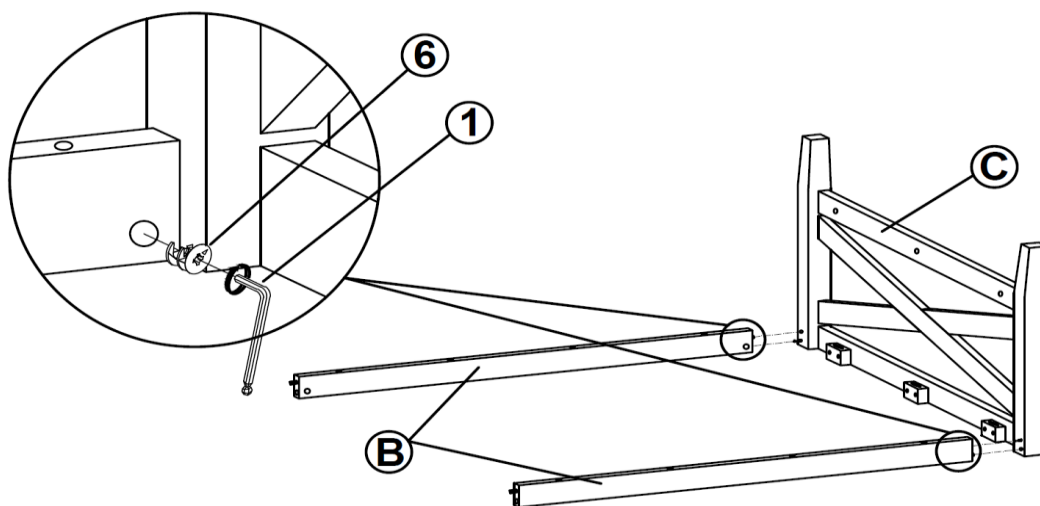
Phillips head screw driver is required in the assembly process; however, manufacturer does not provide this item.

ASSEMBLY INSTRUCTIONS

STEP 1

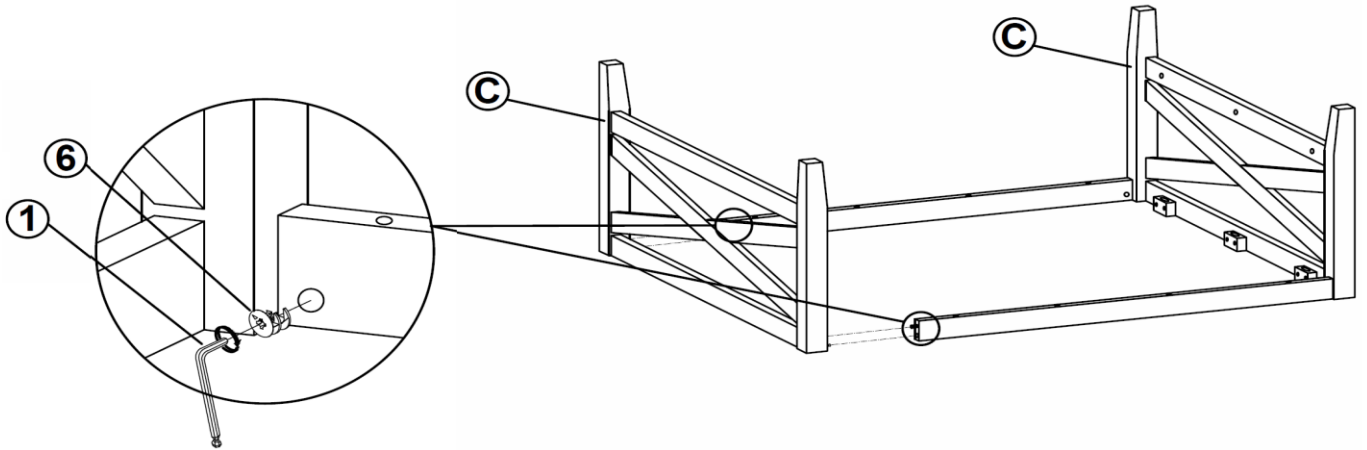


STEP 2

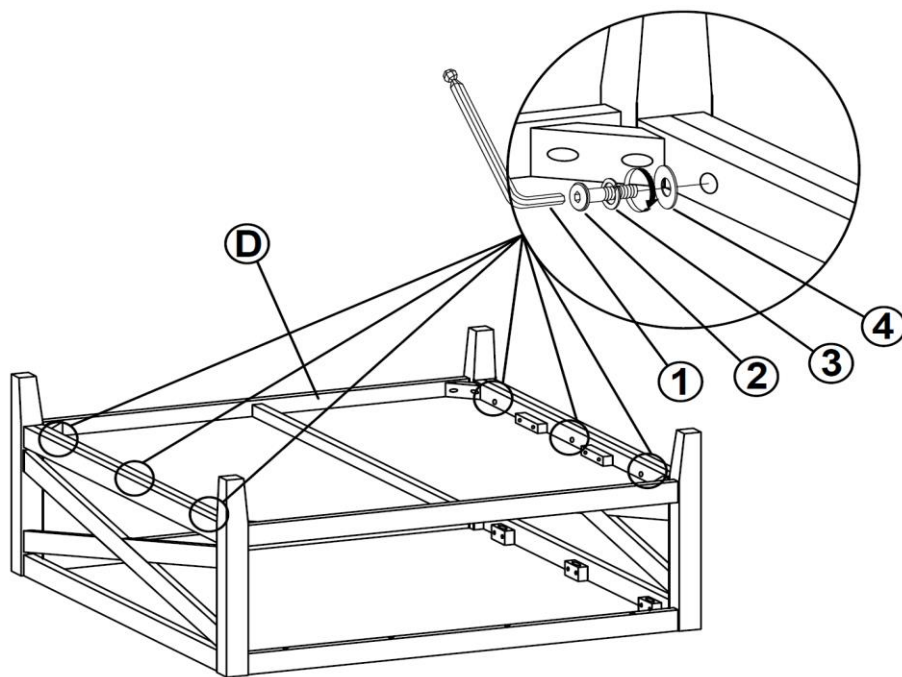


ASSEMBLY INSTRUCTIONS

STEP 3

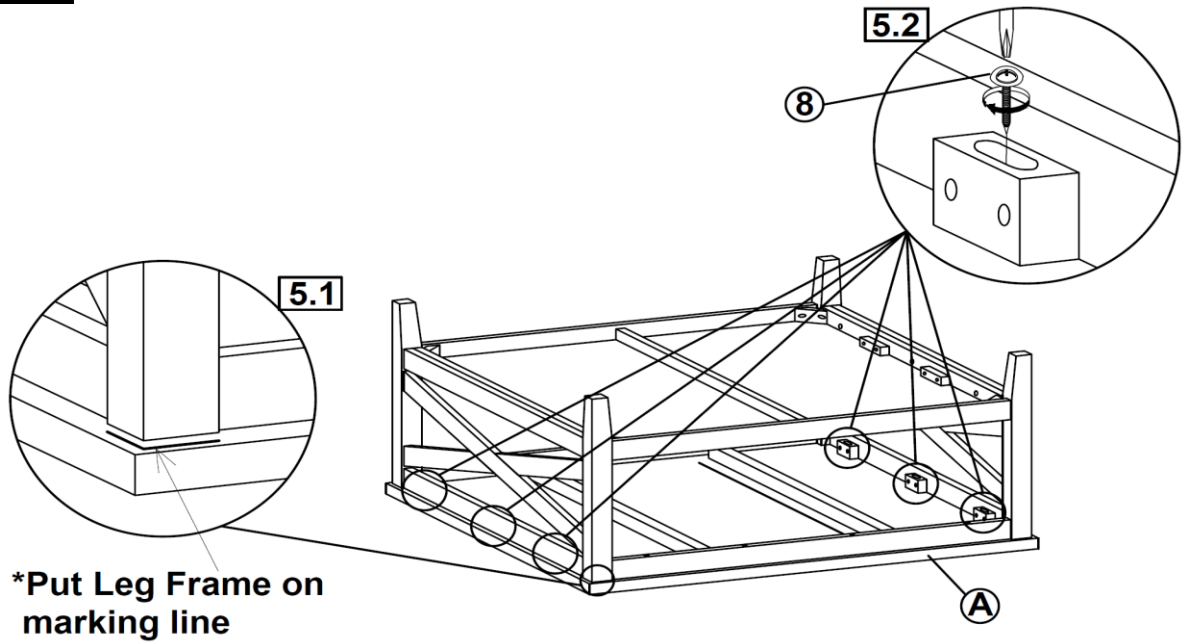


STEP 4

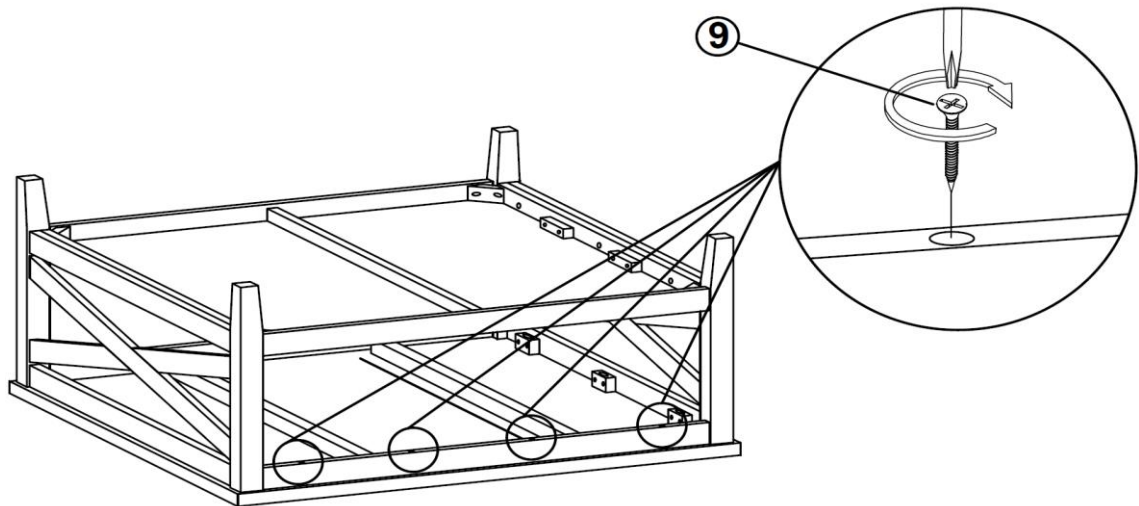


ASSEMBLY INSTRUCTIONS

STEP 5

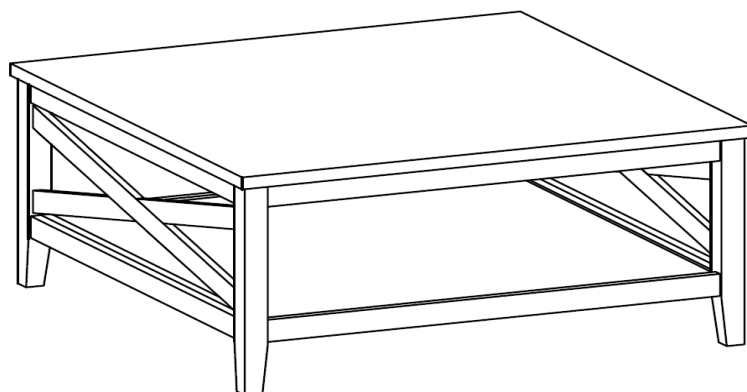


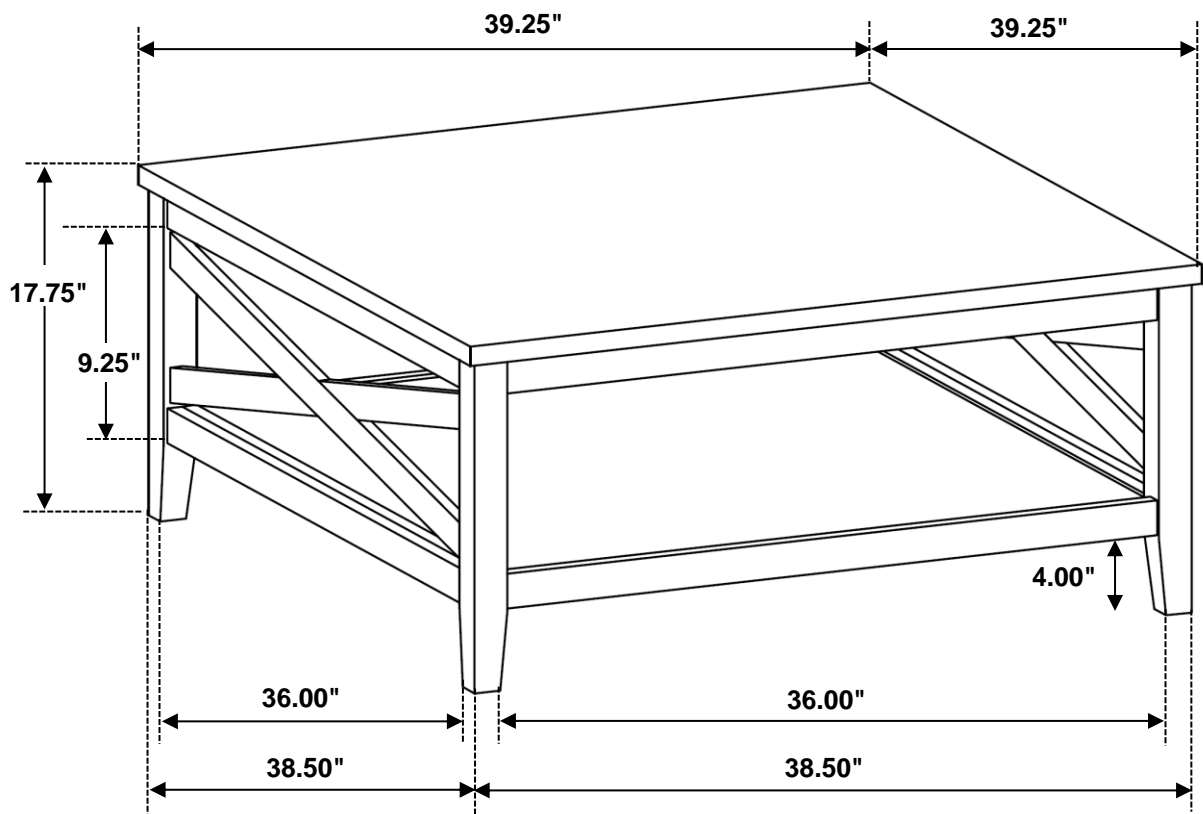
STEP 6



STEP 7

COMPLETE





Note: Dimension tolerance $\pm 5\%$