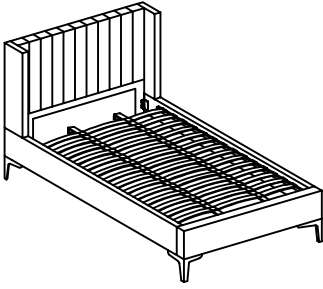


ASSEMBLY INSTRUCTION

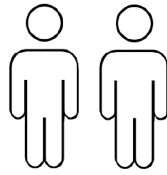
KING



+ Do Not Use Power Tools



+ Suggested Adults



NOTE:

- 1 Read instructions cover to cover.
- 2 Save all packaging until assembly is completed.

1 IMPORTANT SAFETY INFORMATION

Do not assemble the product if any of the following parts arrived damaged:

- Part # - Side Rails
- Part # - Center Support Bar
- Part # - Support Legs
- Part # - Slats

2 IMPORTANT ASSEMBLY INFORMATION

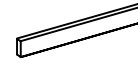
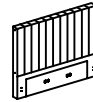
Assembly Step Ensure the side rail bracket is fully hooked onto bolt loosely threaded with both washers on the **OUTSIDE** of the bracket first, then proceed to fully tightening all 4 corners.

Assembly Step When installing slats, ensure that the curve is facing upwards. (✓) (✗)

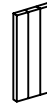
*Slats come packed in the bottom of headboard carton.

+ Parts Included

- ① Headboard (1 of pc) ② Footboard (1 of pc) ③ Side Rail (2 of pcs)



- ④ Side Wing (2 of pcs) ⑤ Center Rail (2 of pcs) ⑥ Support Leg (6 of pcs)



- ⑦ Slat (42 of pcs) ⑧ Middle Holder (28 of pcs) ⑨ End Holder (28 of pcs)

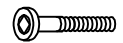


- ⑩ Legs (4 of pcs)



+ Hardware Included

- A JCBB M8x20mm (8 of pcs) B JCBC M6x40mm (6 of pcs) C JCBC M6x50mm (4 of pcs)



- D Allen Key M5 x 70mm (1 of pc) E Allen Key M4 x 65mm (1 of pc) F CSK M4 x 16mm (12 of pcs)



- G CSK M4 x 25mm (16 of pcs) H Flat Washer (16 of pcs) I Adjuster (6 of pcs)

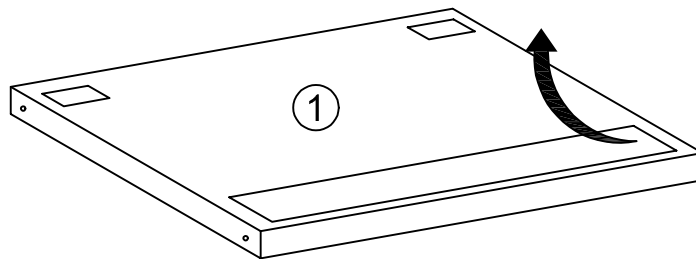


ASSEMBLY INSTRUCTION

KING

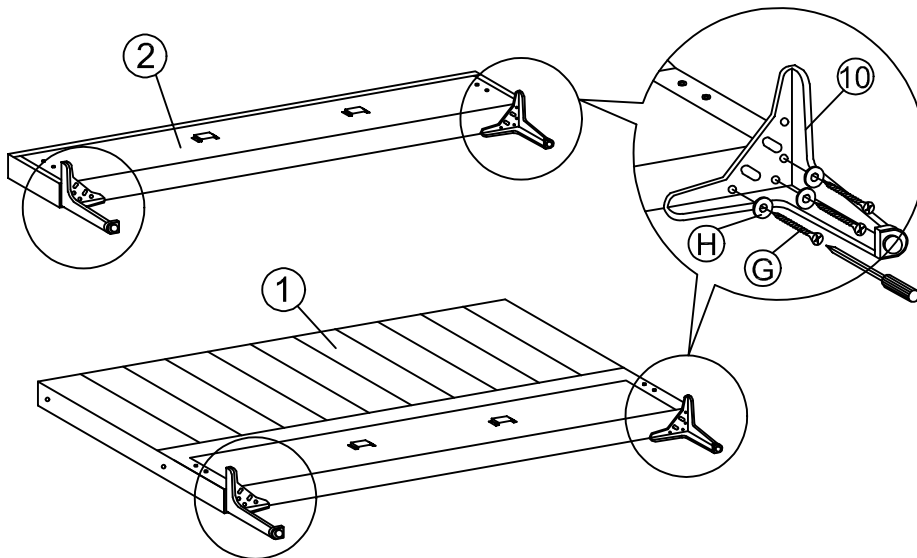
①

Unzip the black non-woven fabric on the back of headboard (1) and take out the side wing (4).



Back View !!

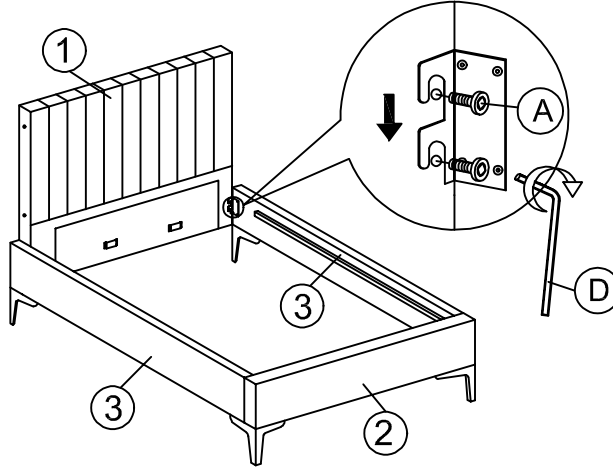
②



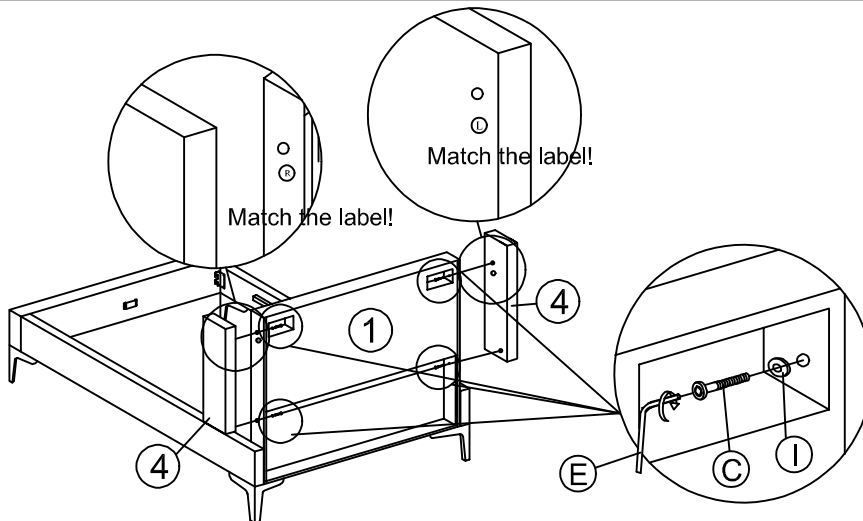
ASSEMBLY INSTRUCTION

KING

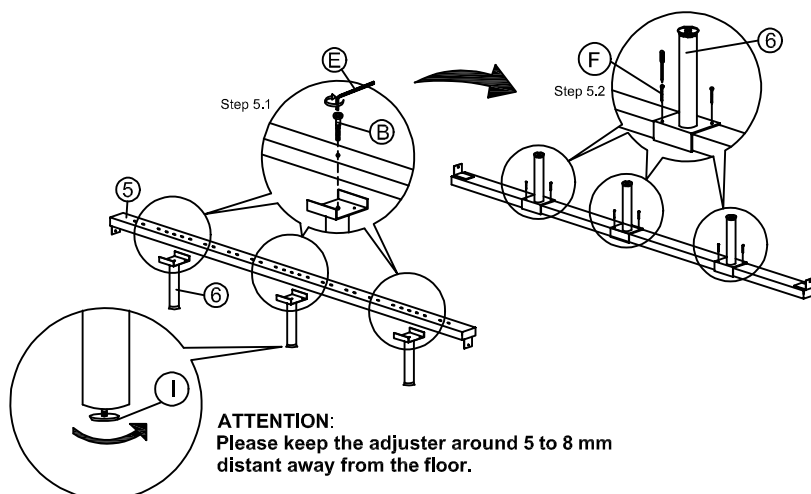
3



4



5

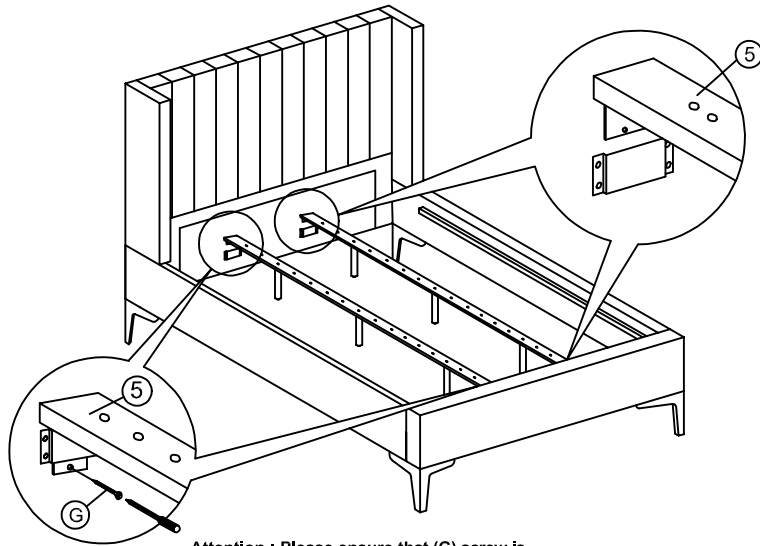


x2

ASSEMBLY INSTRUCTION



KING

6



Attention : Please ensure that (G) screw is being attach as per the A.I shown to avoid base being collapse.

7

When installing slat, ensure that curve is facing upwards. () ()

✓ X

