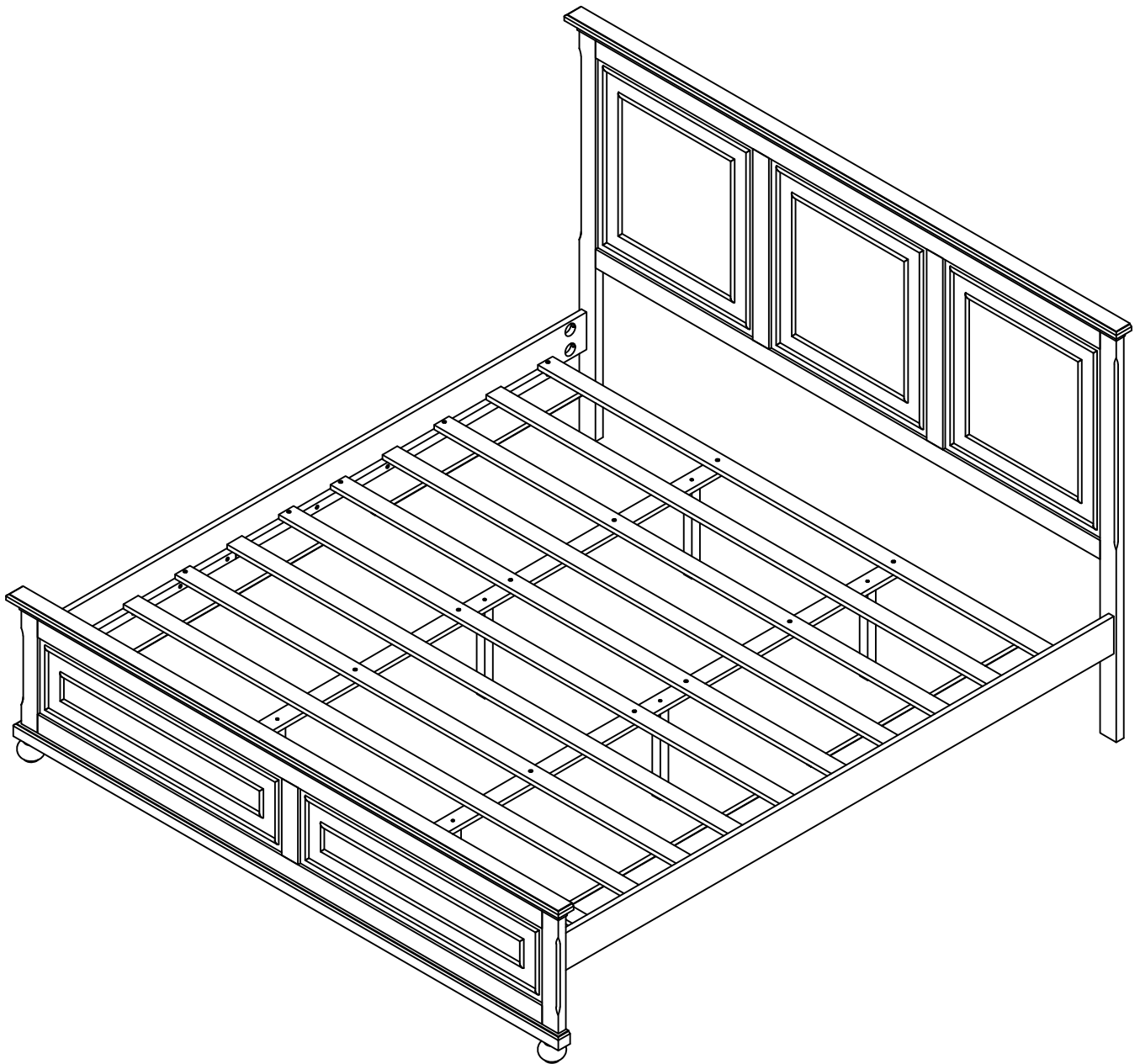


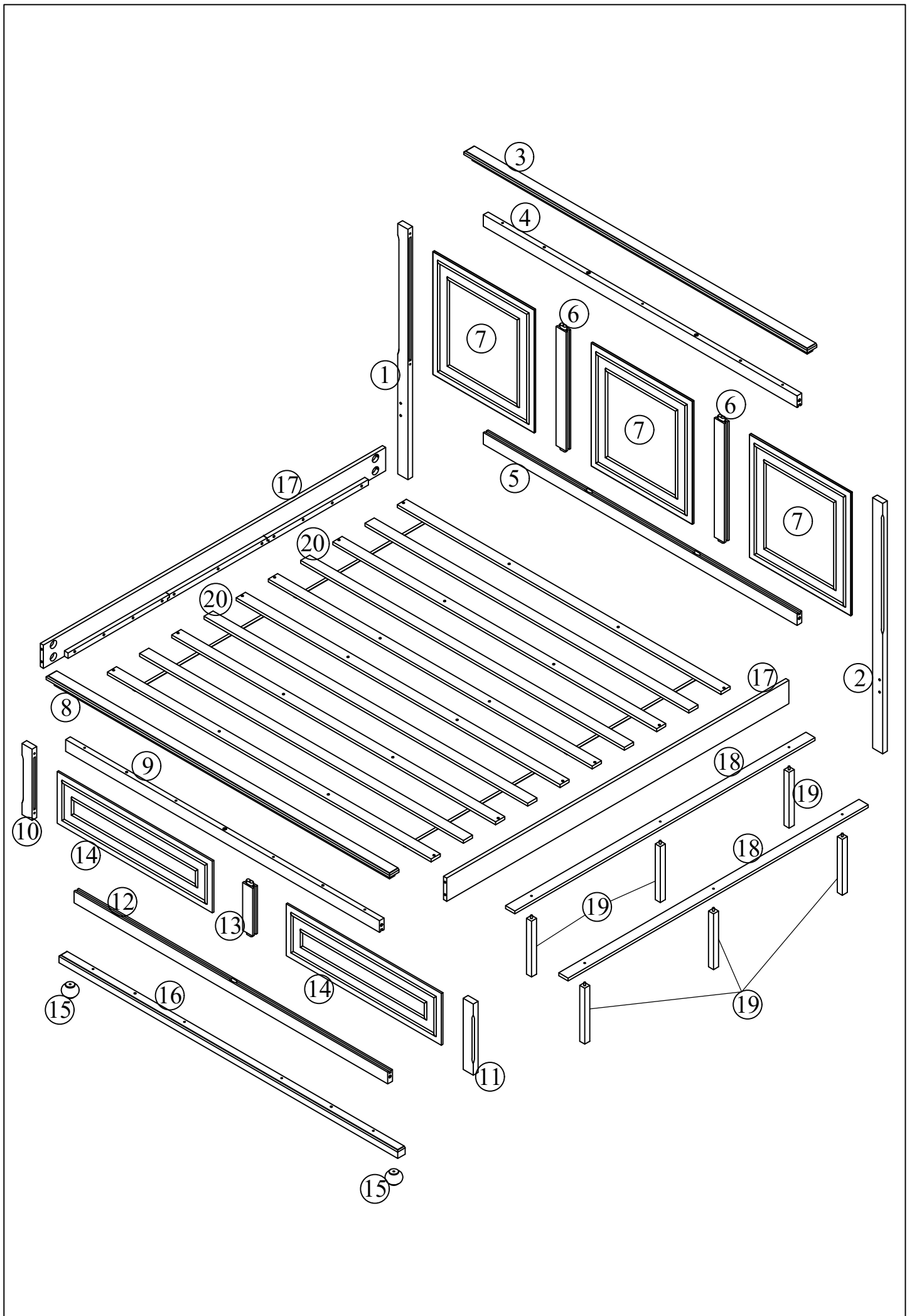
ASSEMBLY INSTRUCTIONS

KING BED








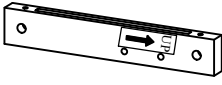
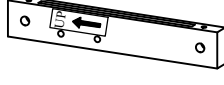




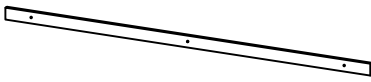
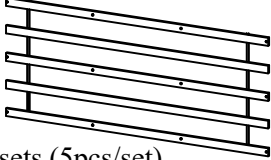


This set is included 2 boxes if don't receive full 2 boxes please contact our customer service team.


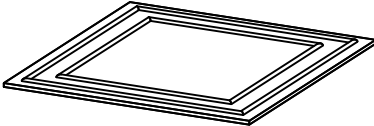

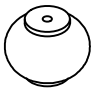

SD33012





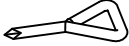

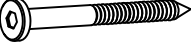






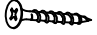
Part List (Box 1)

<p>1</p>  <p>Leg (Left HB) - 1pc</p>	<p>2</p>  <p>Leg (Right HB) - 1pc</p>	<p>3</p>  <p>Upper Horizontal Bar HB - 1pc</p>
<p>4</p>  <p>Middle Horizontal Bar HB - 1pc</p>	<p>5</p>  <p>Horizontal Bar Bottom HB - 1pc</p>	<p>8</p>  <p>Upper Horizontal Bar FB - 1pc</p>
<p>9</p>  <p>Middle Horizontal Bar FB - 1pc</p>	<p>10</p>  <p>Leg (Left FB) - 1pc</p>	<p>11</p>  <p>Leg (Right FB) - 1pc</p>
<p>12</p>  <p>Middle Horizontal Bar FB - 1pc</p>	<p>13</p>  <p>Middle Bar FB - 1pc</p>	<p>16</p>  <p>Horizontal Bar Bottom FB - 1pc</p>
<p>17</p>  <p>Side rail - 2pcs</p>	<p>18</p>  <p>Center Support Bar - 2pcs</p>	<p>20</p>  <p>Slats- 2sets (5pcs/set)</p>

Part List (Box 2)

<p>6</p>  <p>Middle Bar HB - 2pcs</p>	<p>7</p>  <p>Panel HB - 3pcs</p>	<p>14</p>  <p>Panel FB - 2pcs</p>
<p>15</p>  <p>Legs FB - 2pcs</p>	<p>19</p>  <p>Support Legs - 6pcs</p>	

Hardware List (Box 2)

A  M6*40 Bolts Shaft (15pcs)	B  Ø15*13 Nut (15pcs)	C  5*90 (1pc)
D  Ø10*40 Wood dowel (6pcs)	E  (Ø15) 1/4"*80 Screws (10pcs)	F  (1/4") 4*58mm Allen key (1pc)
G  (Ø15) 5/16"*75 Hex-Head bolts (2pcs)	H  5/16"*80 Bolts Shaft (8pcs)	I  27x16xØ10x2 (8pcs)
J  12x5/16"xH12 Nut (8pcs)	K  12mm Key (1pc)	L  Ø4*25mm Wood screws (24pcs)

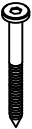
ASSEMBLY TOOLS REQUIRED (NOT INCLUDE)



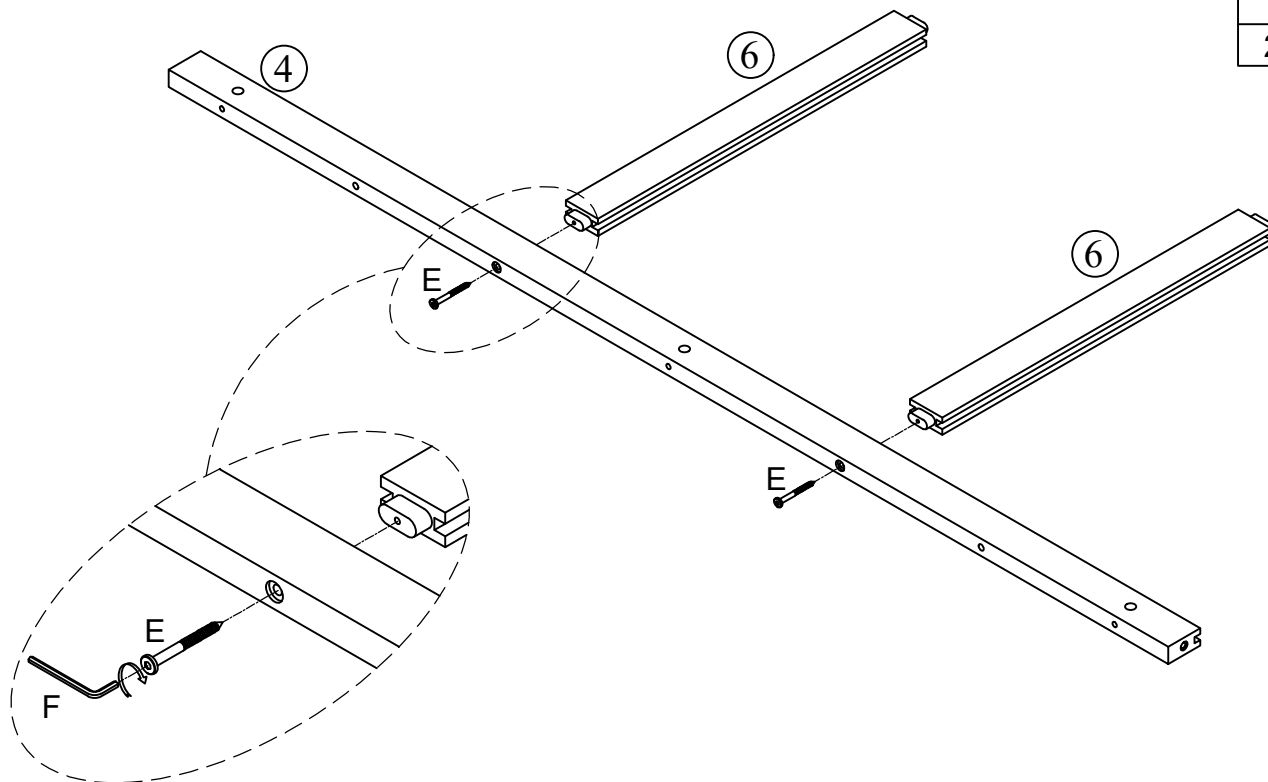
PLEASE BE CAREFUL DO NOT DAMAGE THE HOLE POSITION WHEN YOU USE POWER TOOLS !

STEP 1:

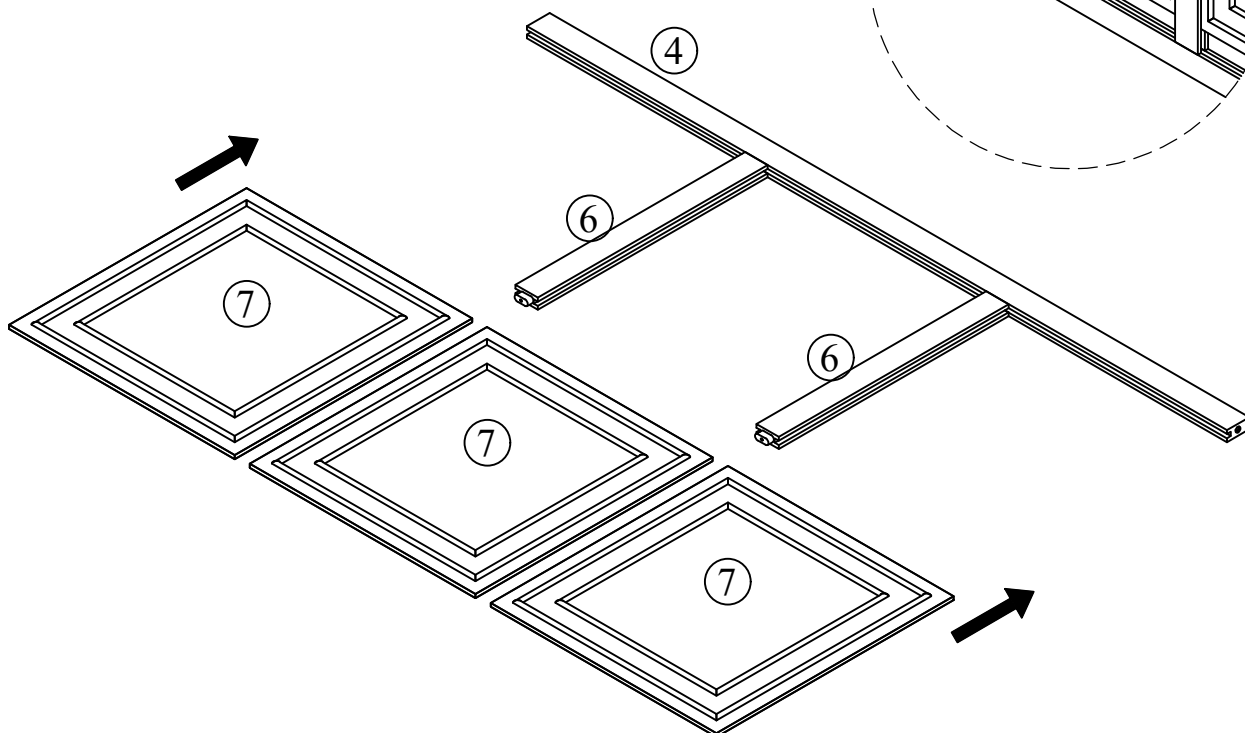
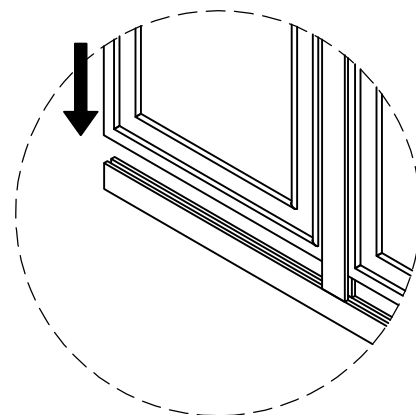
E



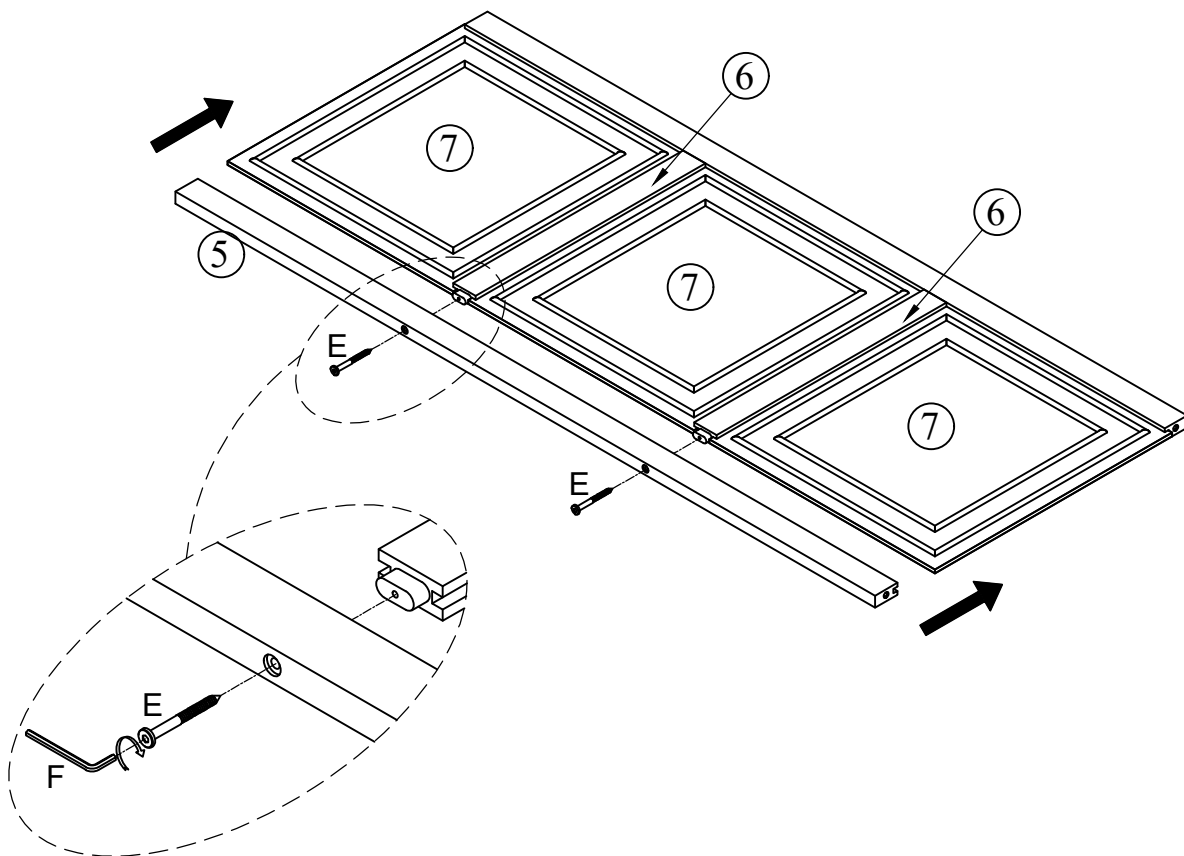
2PCS

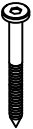


STEP 2:

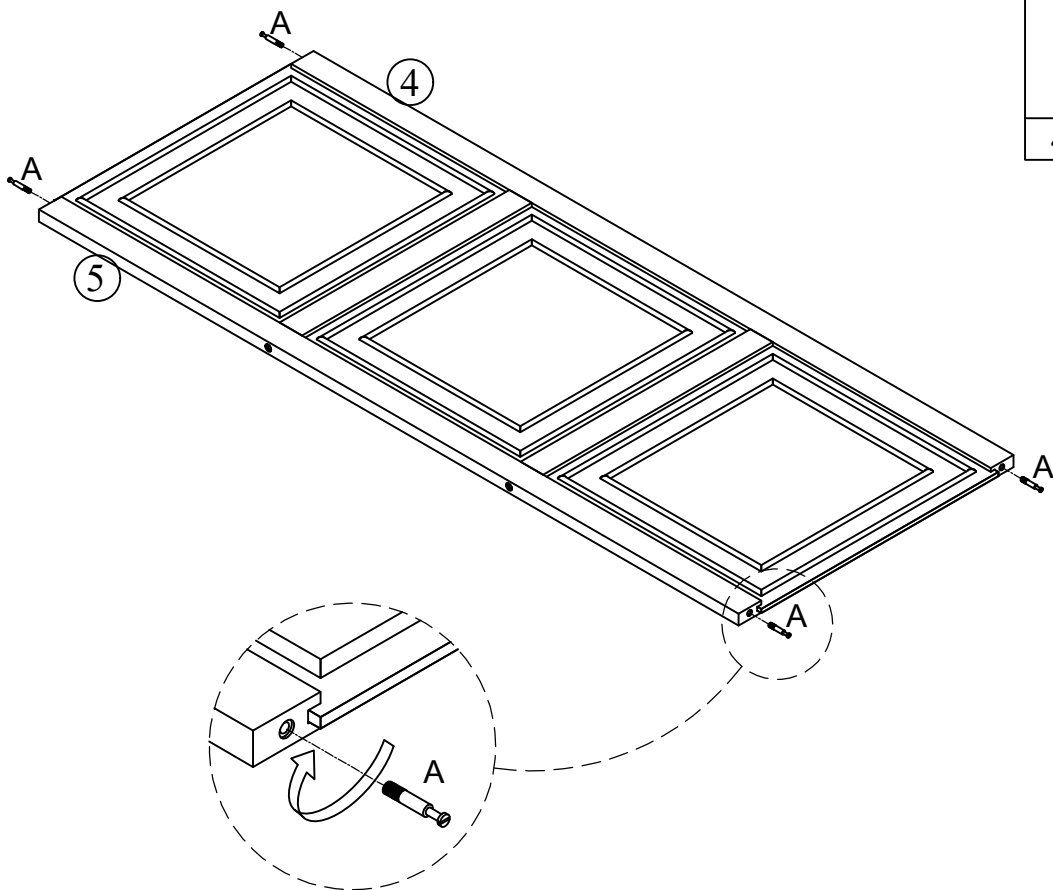



STEP 3:



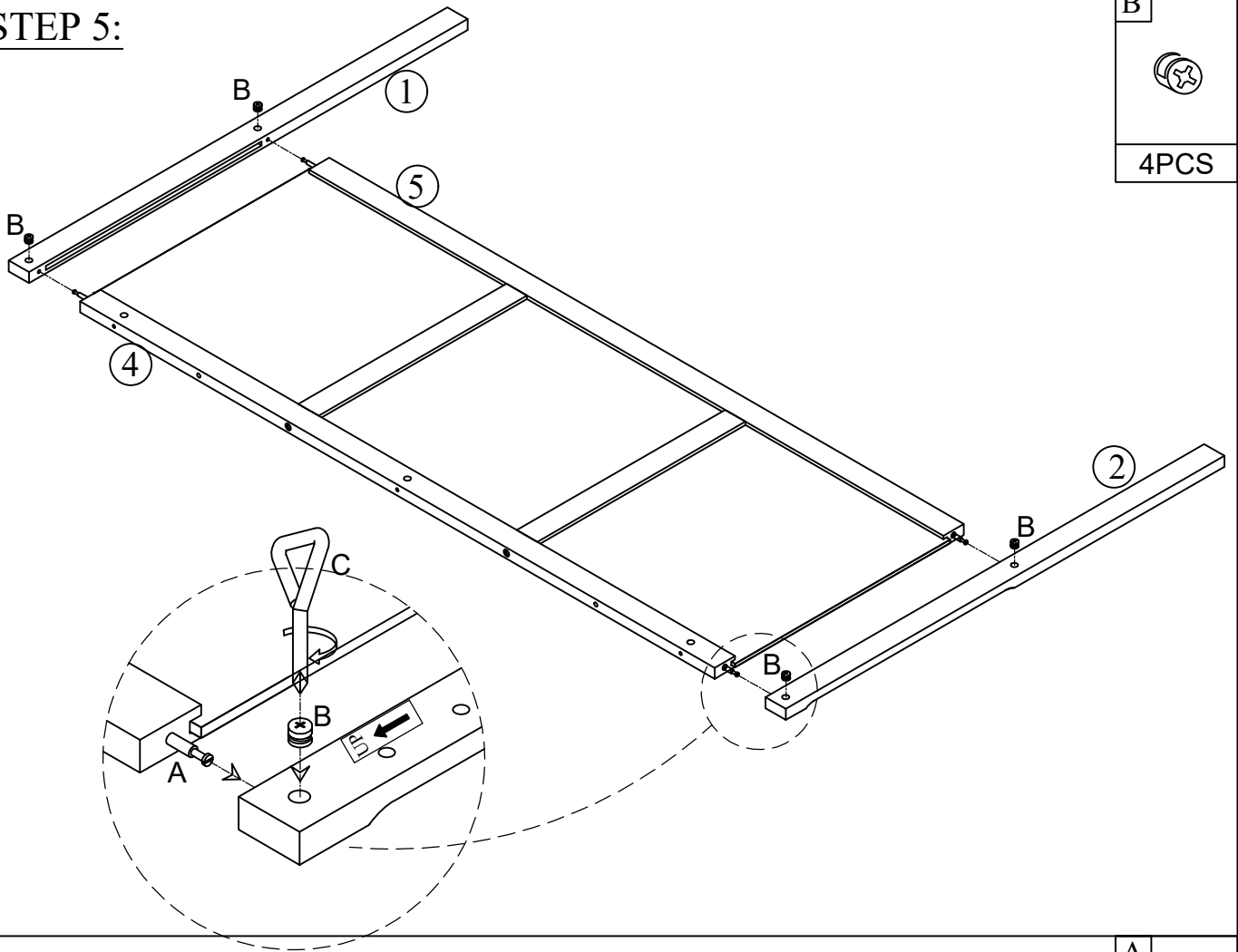
E	
2PCS	

STEP 4:



A	
4PCS	

STEP 5:

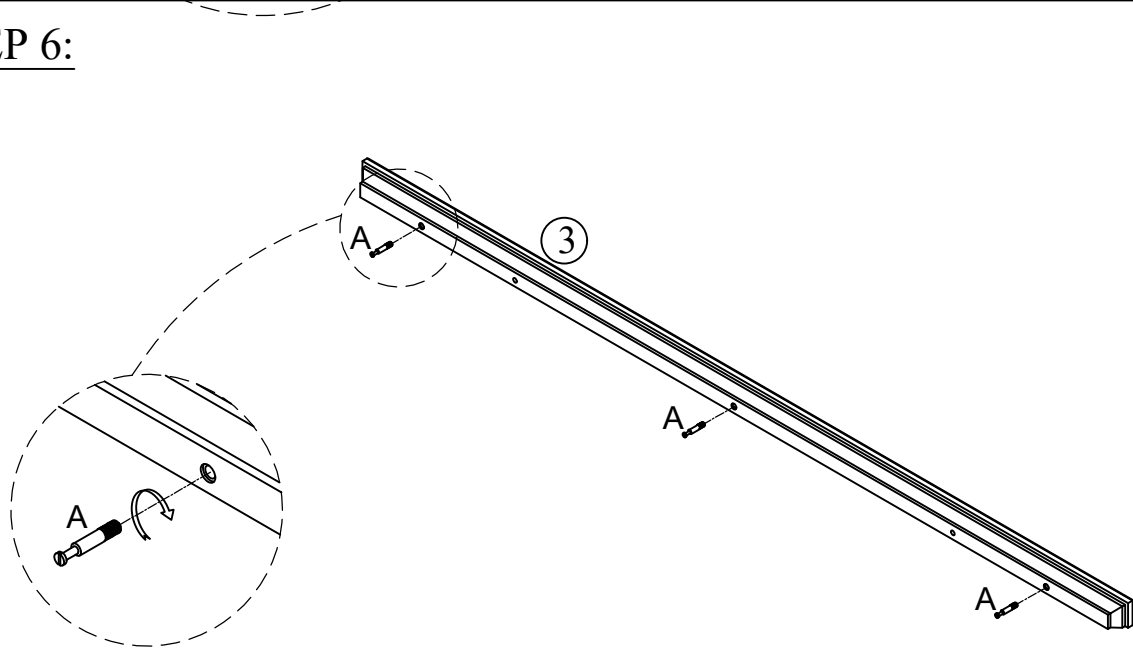


B



4PCS

STEP 6:





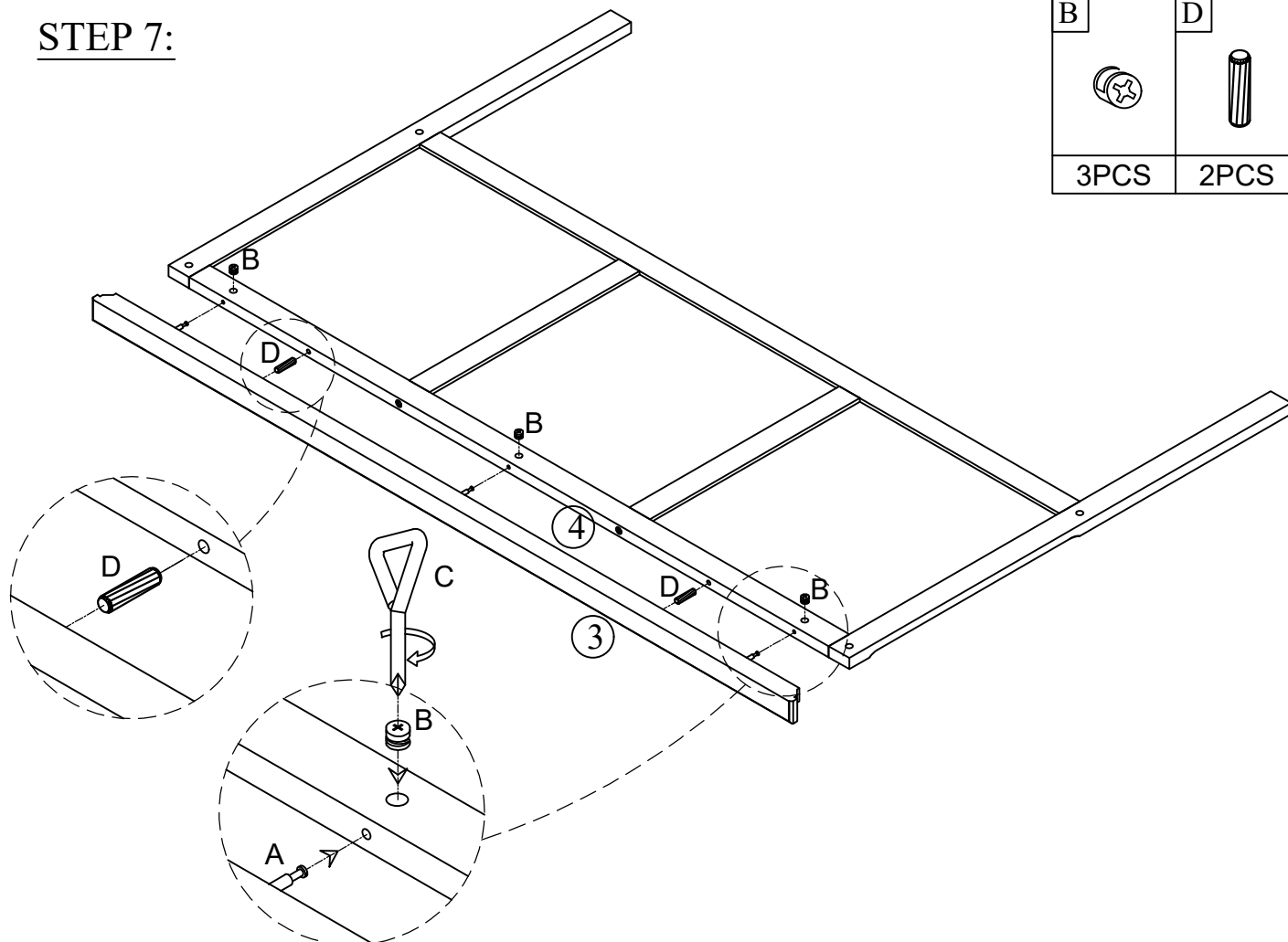
A




3PCS

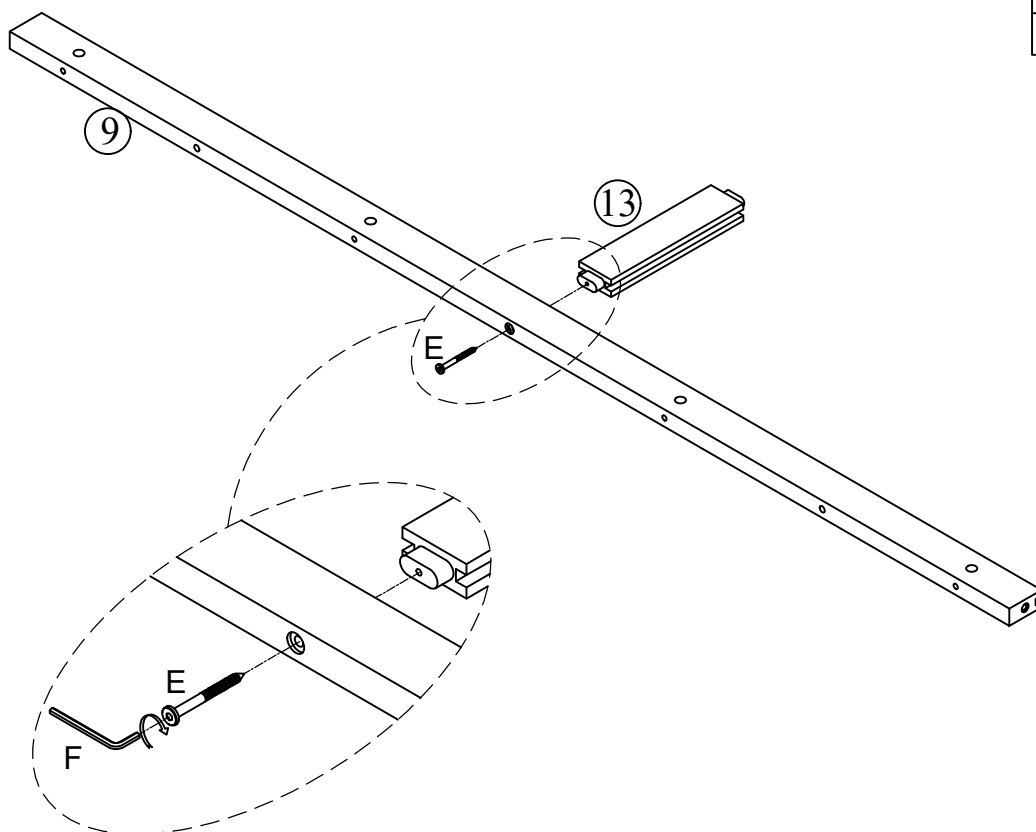
STEP 7:

B	D
	
3PCS	2PCS

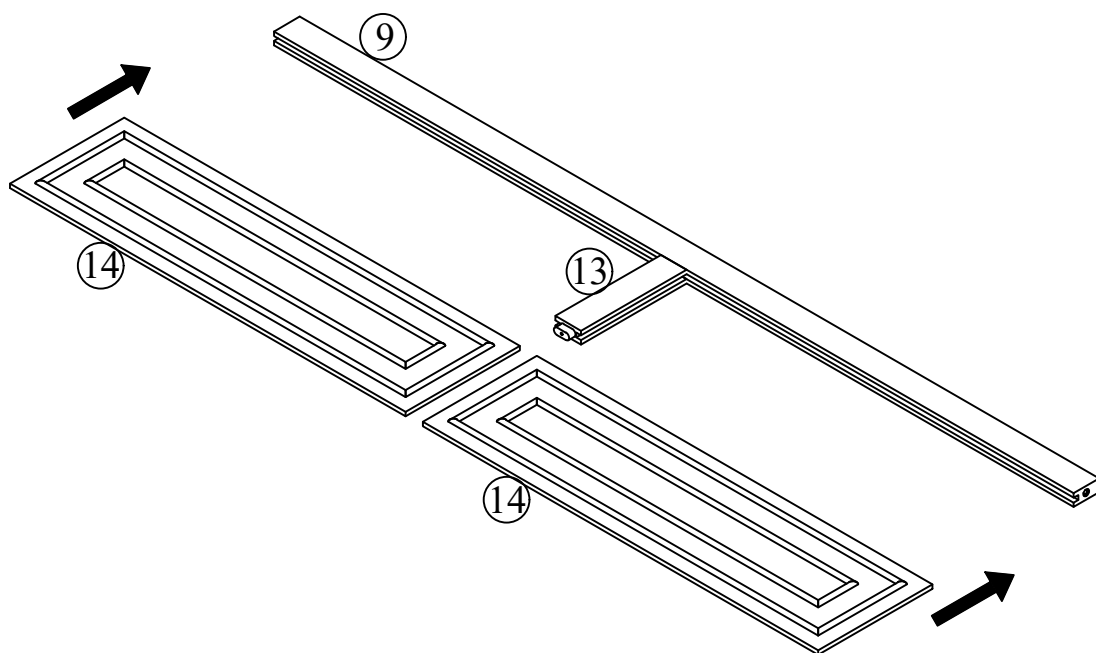


STEP 8:

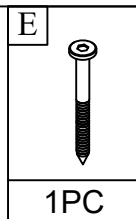
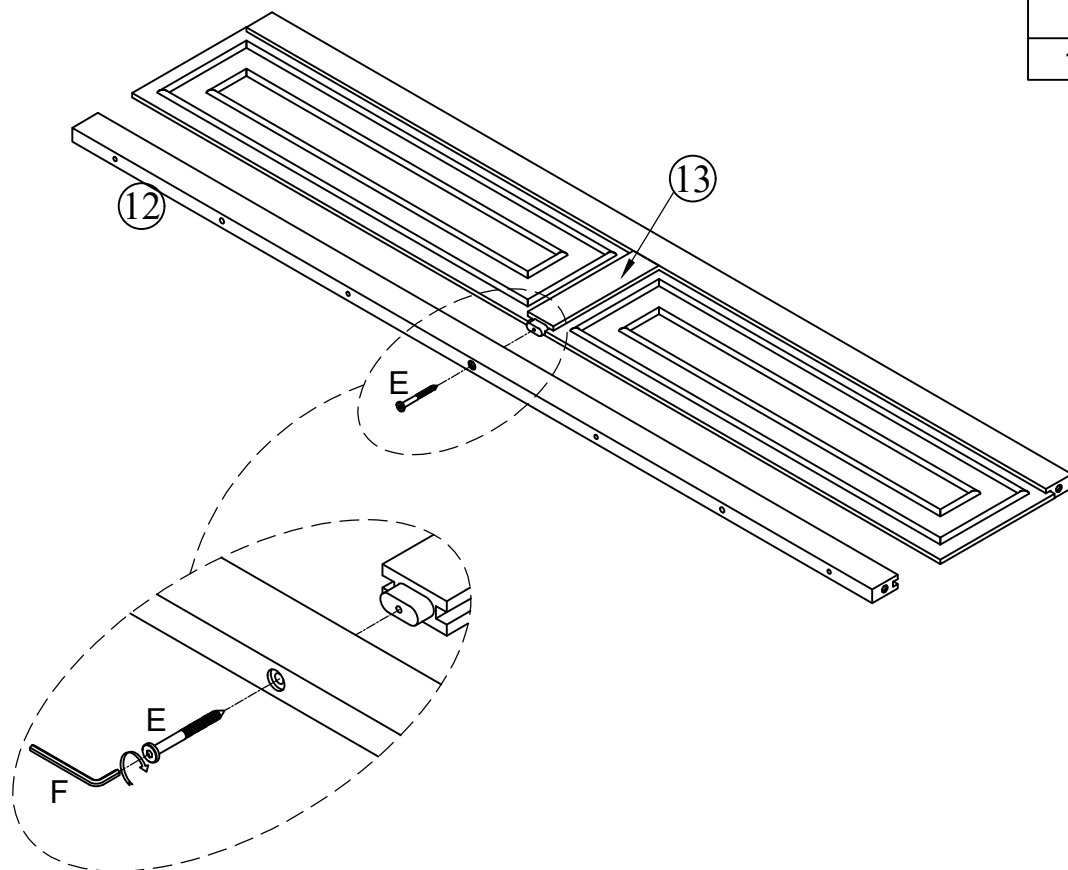
E

1PC



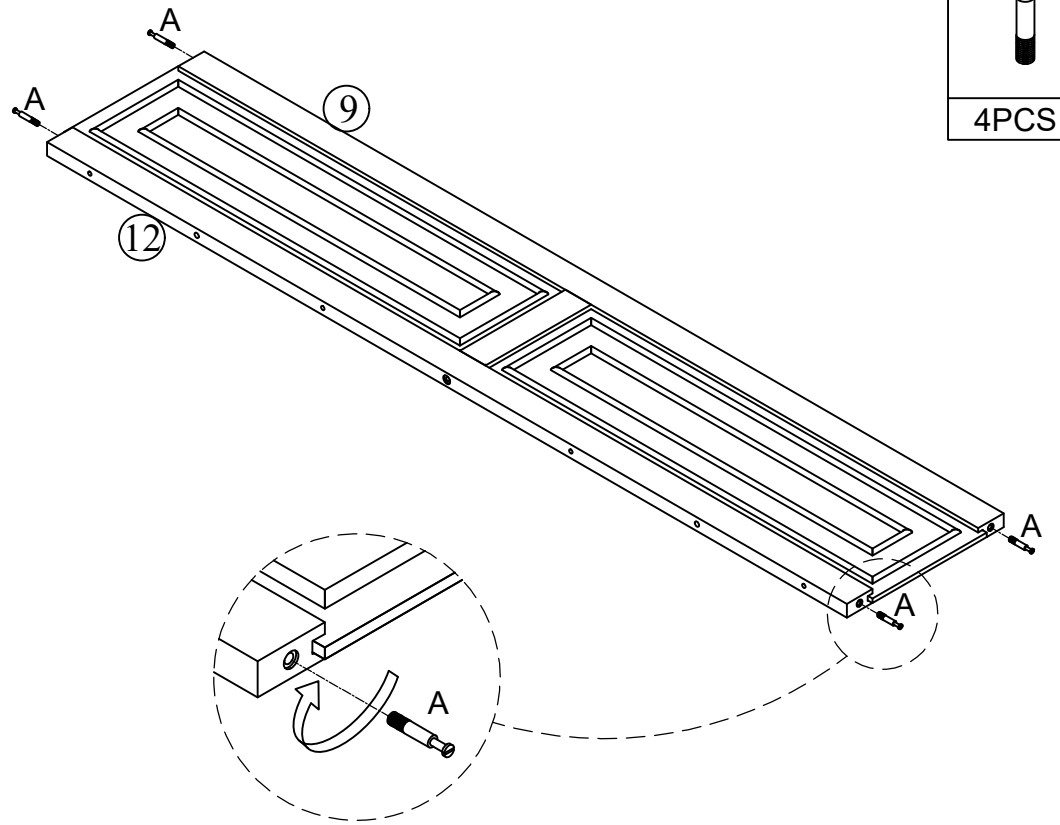
STEP 9:



STEP 10:



STEP 11:

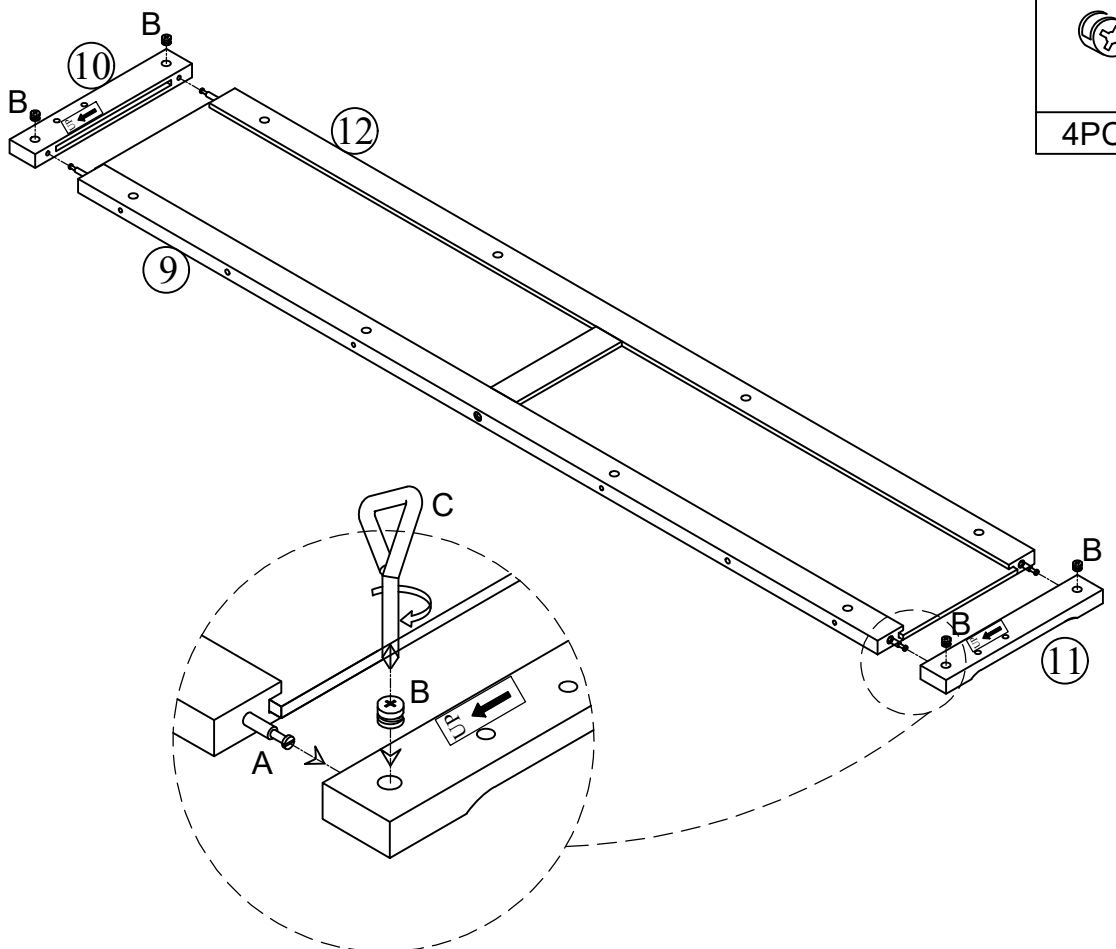


A



4PCS

STEP 12:




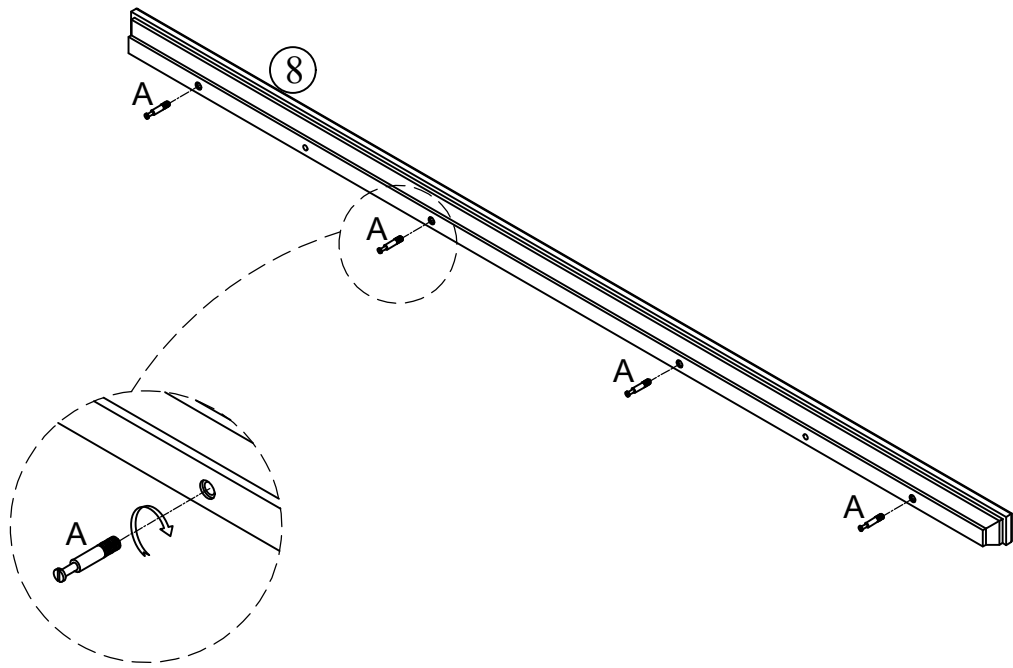
B





4PCS

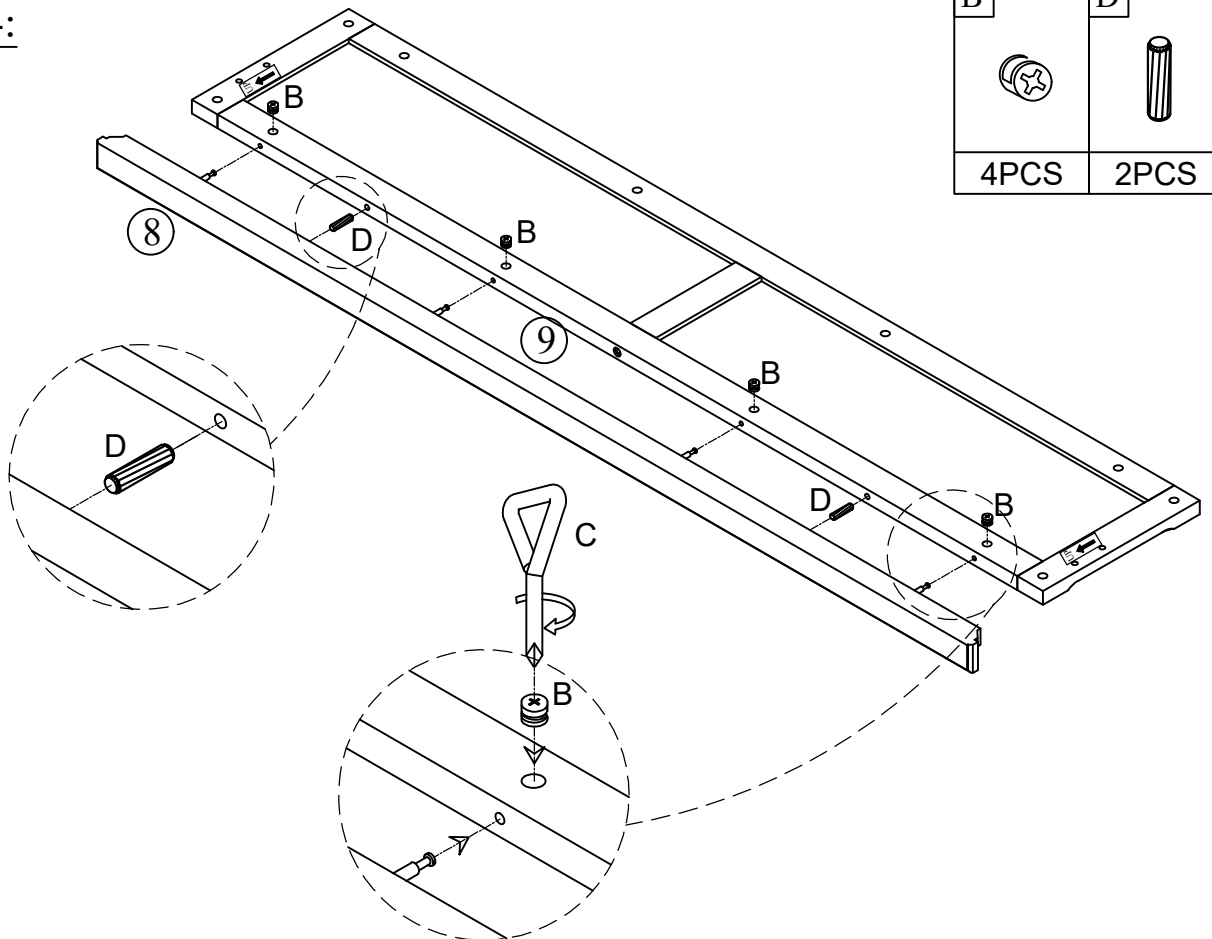
STEP 13:

A	
4PCS	

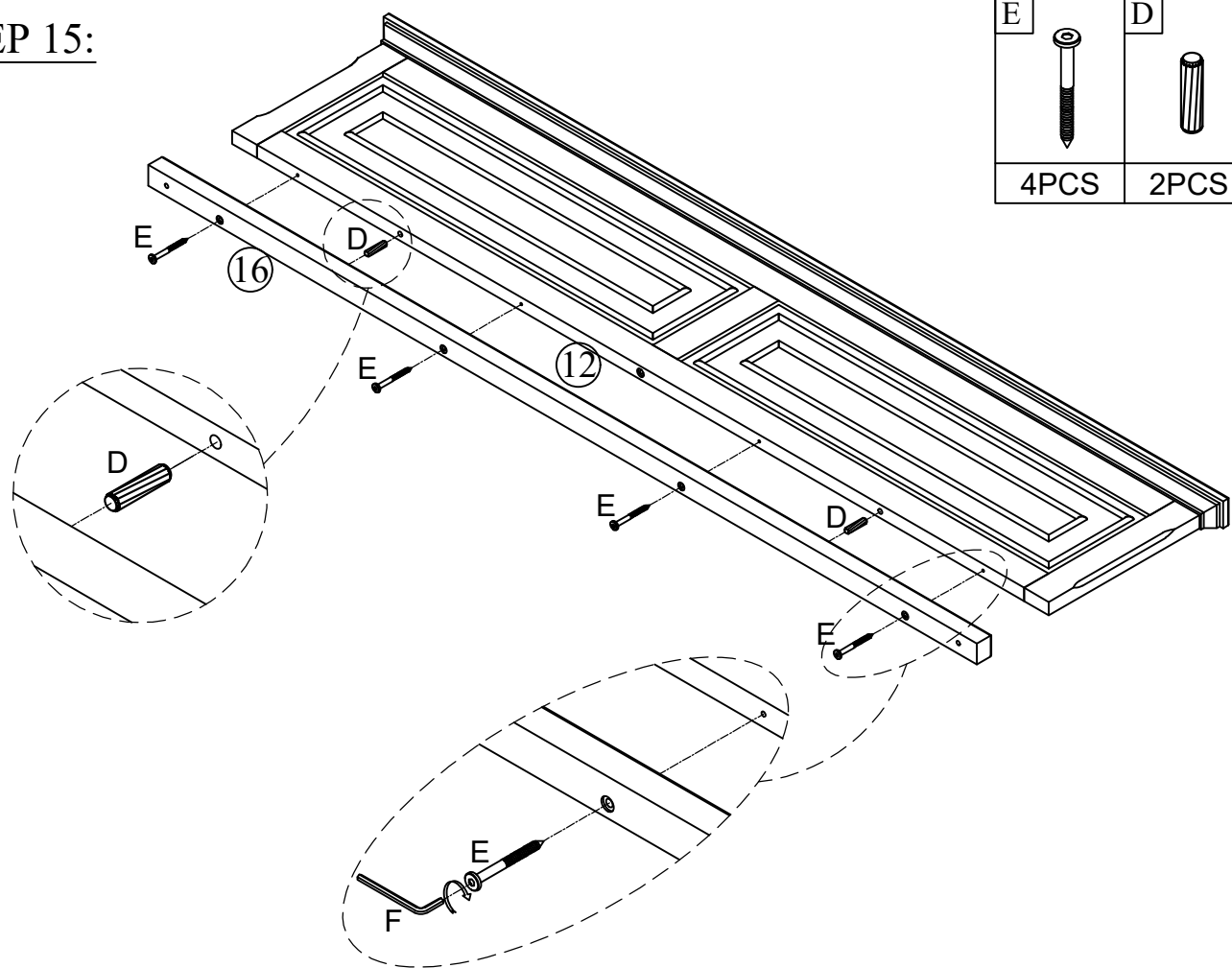




STEP 14:

B	D
	
4PCS	2PCS

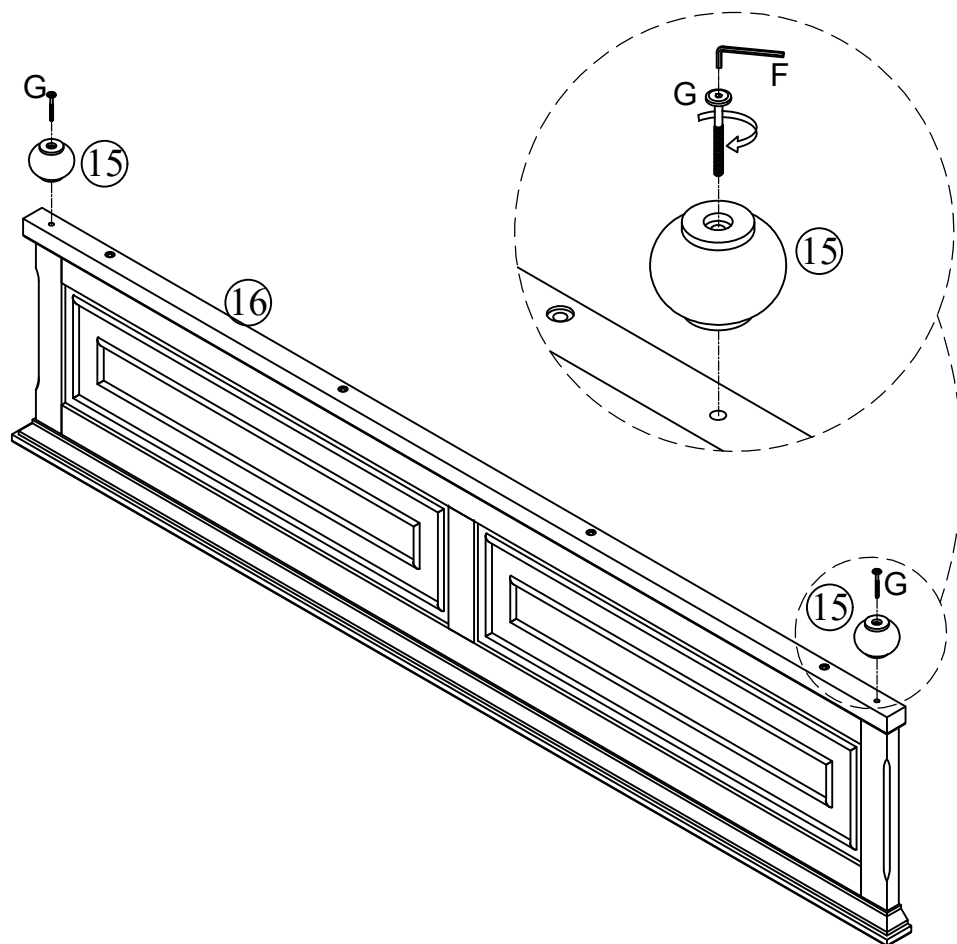



STEP 15:



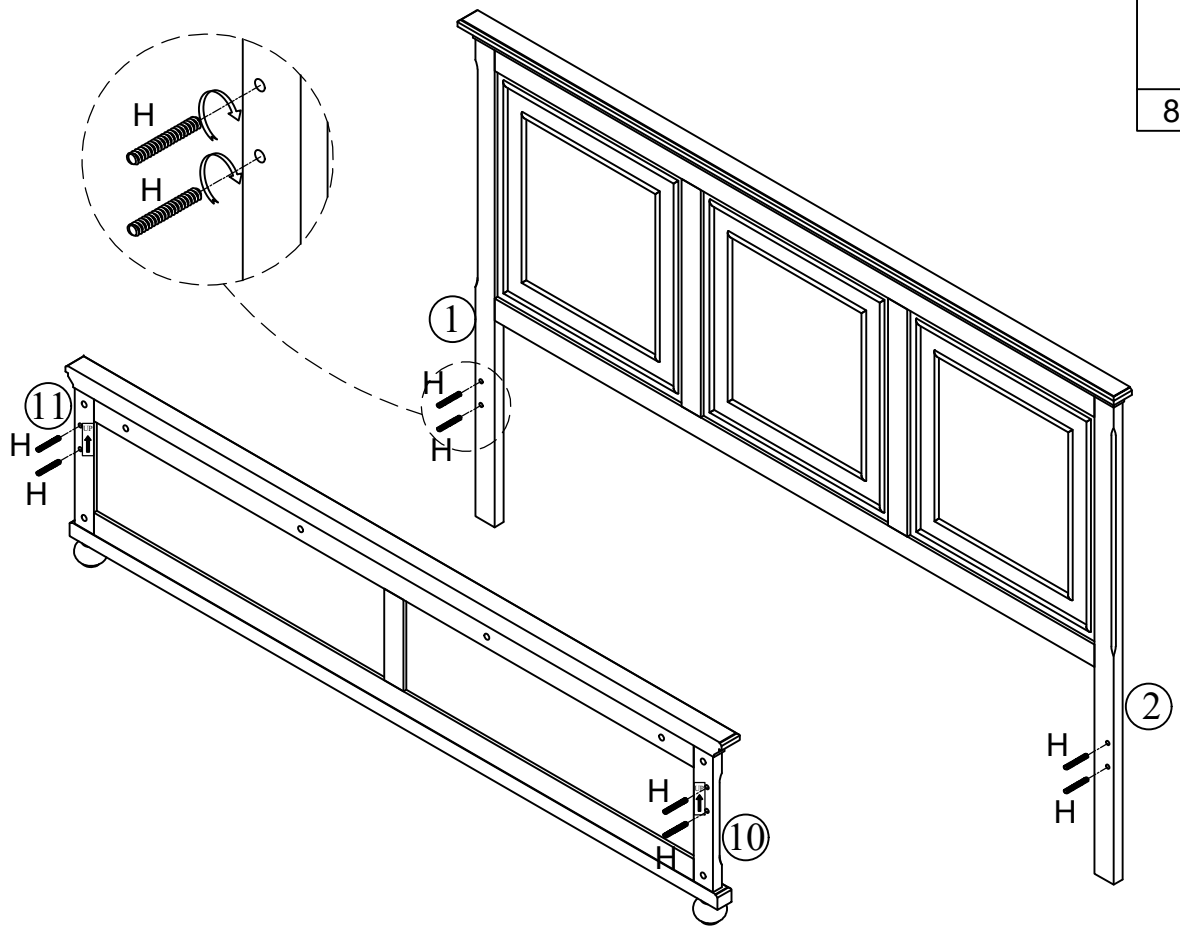
E		D	
4PCS		2PCS	

STEP 16:



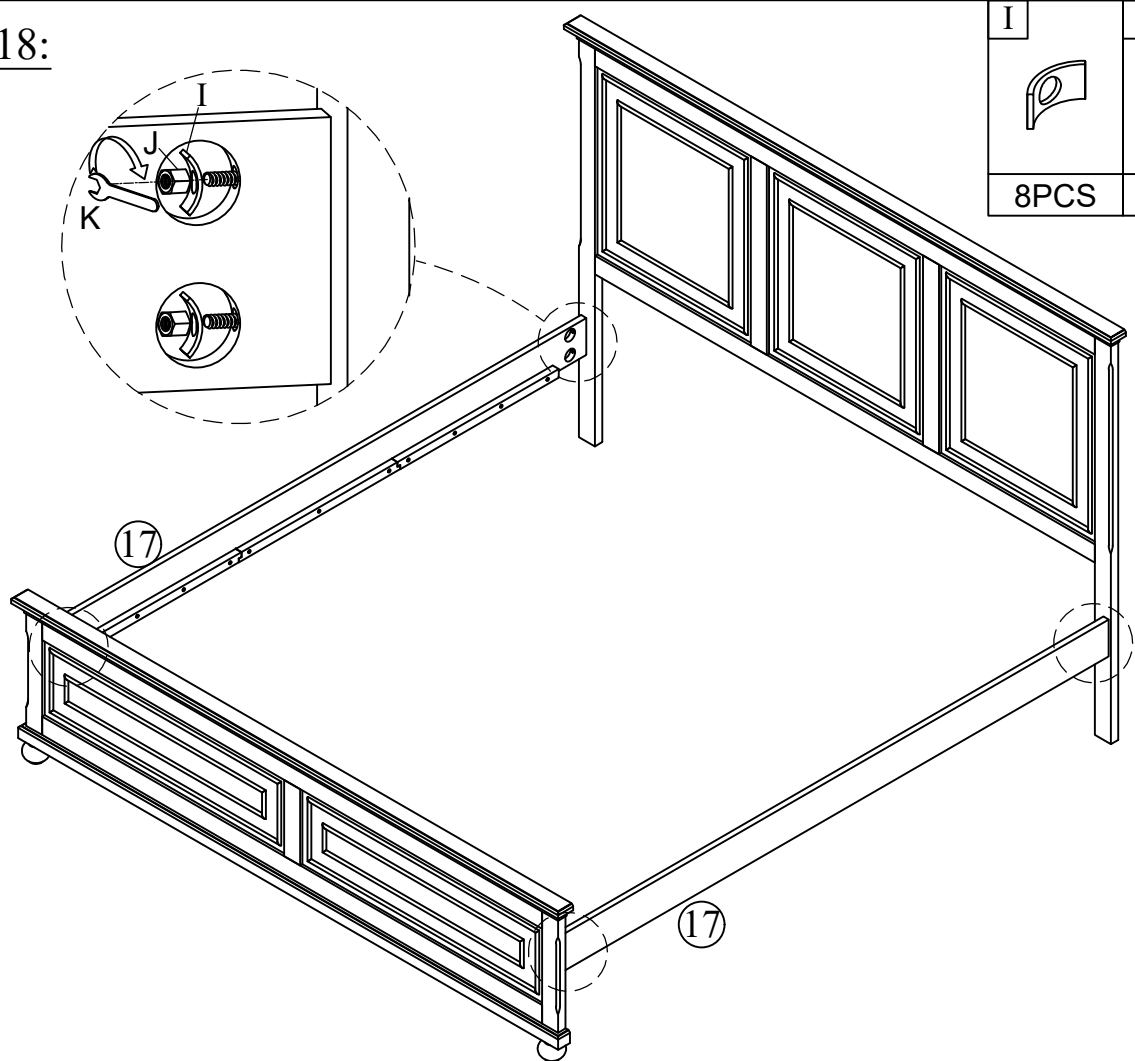
G	
2PCS	

STEP 17:



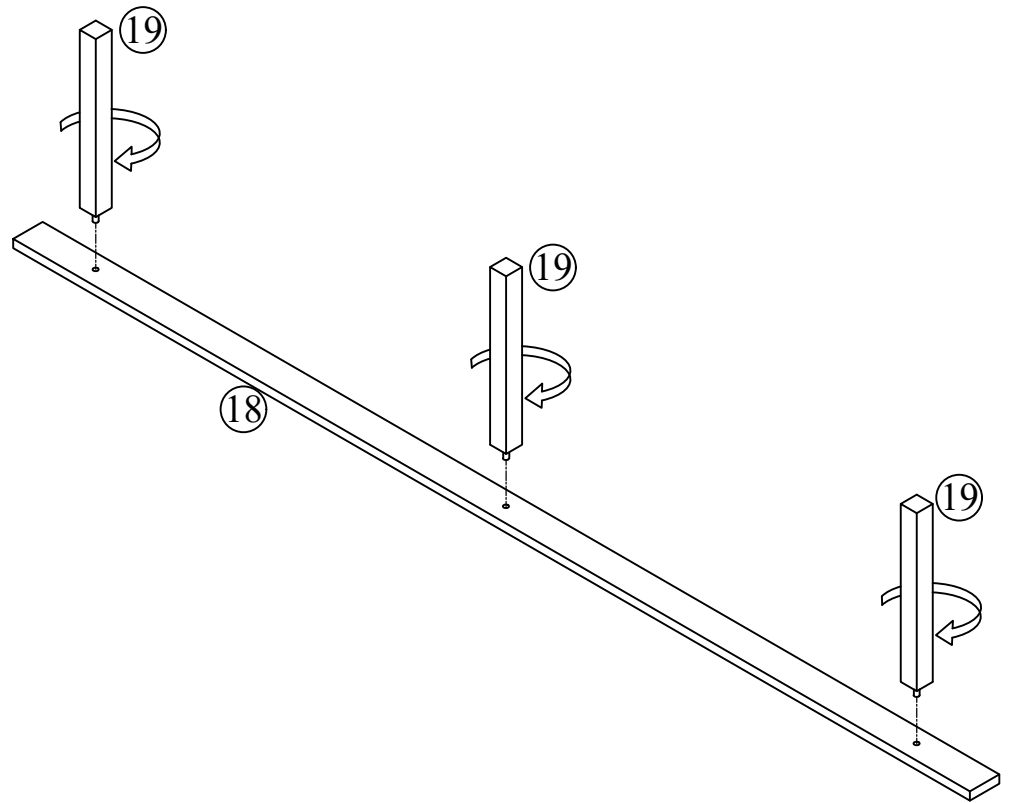
H
8PCS

STEP 18:

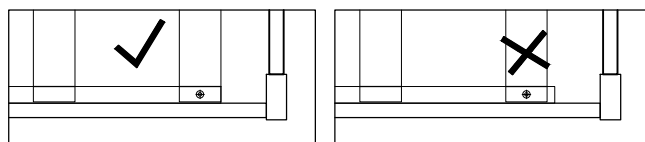
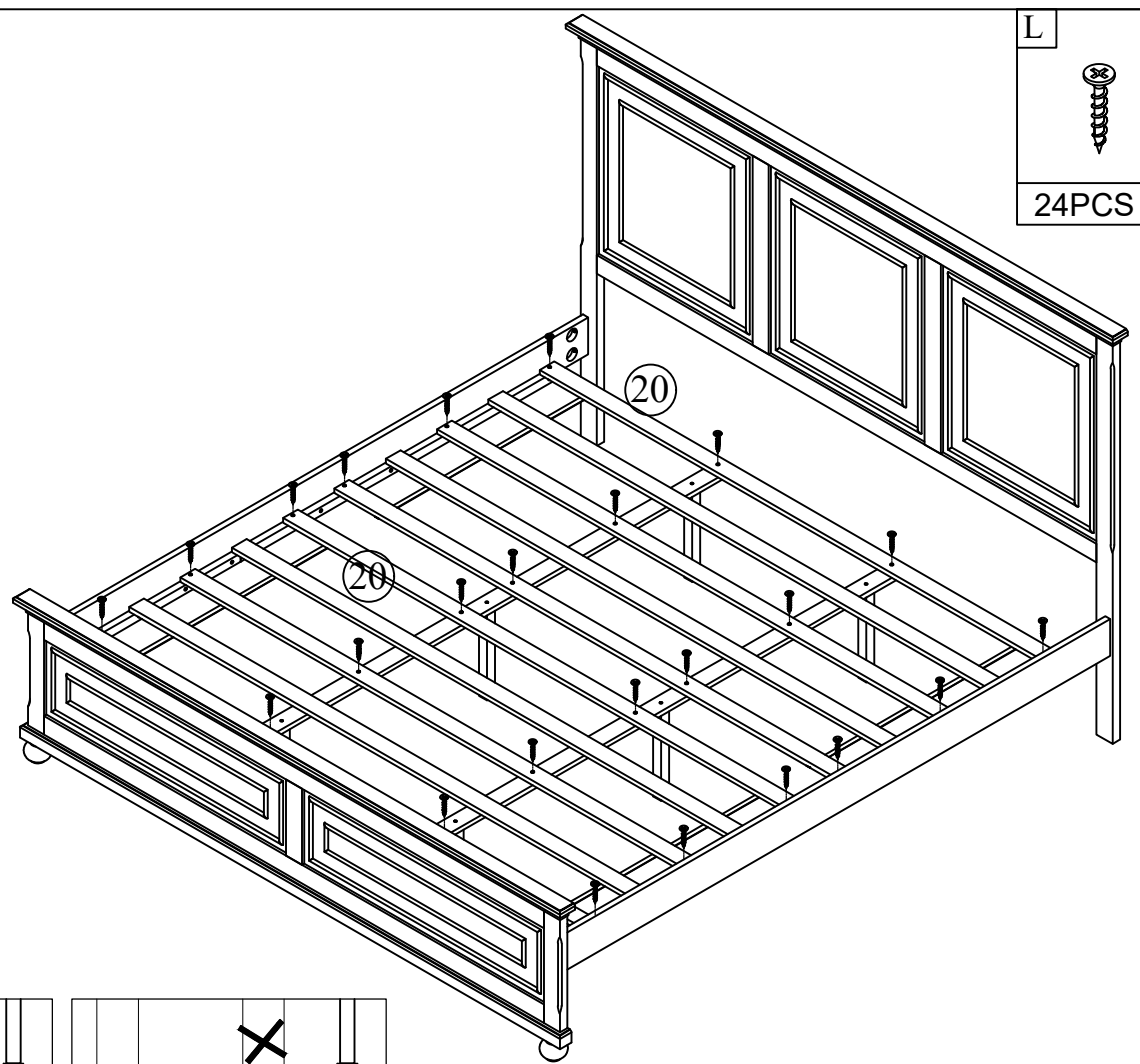
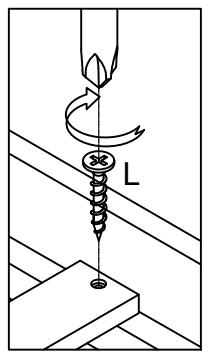
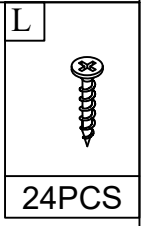


I J
8PCS 8PCS

STEP 19: (x2)



STEP 20:



Note: Do not lock the screws of the bed slats to the outermost edge of the bed slats, you need to leave a certain space at the edges, otherwise it will cause the board to break.

FINISH

