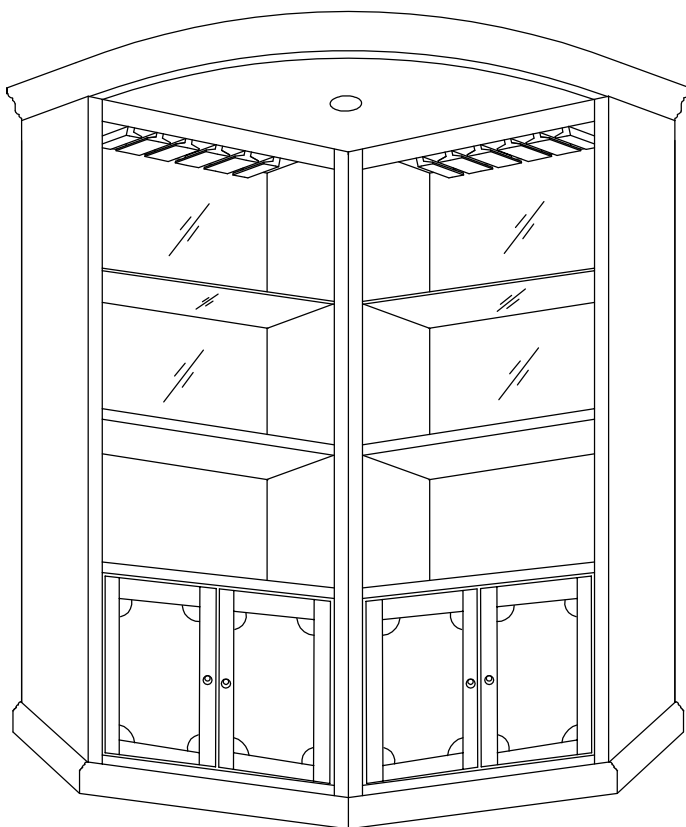


ASSEMBLY INSTRUCTIONS

TOOLS REQUIRED

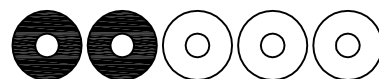


Wrench
(Included)



2 - Persons
Recommended

ASSEMBLY RATING



EASY —————> DIFFICULT

The Assembly Rating is a 5-point system showing the level of effort needed to assemble a specific product.



CHECK BEFORE STARTING

- Are you missing anything?**
Double-check all parts, hardware and accessories listed on Page 6 are accounted for.
- Check out our Quick Tips!**
We recommend reviewing the pre-assembly handouts. Even experts need a refresher now and then!
- Should we send any replacements?**
Are there any irregularities or flaws in the parts? We can send replacements!
- Prep Time!**
Please review the assembly instructions and all diagrams prior to assembling. Arrange parts as recommended on Page 7 and group identical hardware together to make assembling easier.

PRE ASSEMBLY INTRODUCTION

We understand building ready-to-assemble furniture can be a challenging experience for some. To help avoid confusion, we have provided some helpful tips that may speed up the process.



Teamwork

ALWAYS have at least two people to help with transporting and assembling the product to avoid potential injury and/or damage.



Suitable Location

Assembling near the area of the intended location is highly recommended.



Sufficient Space

Make sure you have enough space to move around during the assembly.



Avoid Scratches

Use cardboard, blankets or a carpeted area while assembling furniture to prevent scratches.



Flat Surface

Make sure the furniture rests on a flat and level surface with each leg evenly touching the floor.

ASSEMBLY AND CARE ADVICE



FAILURE TO FOLLOW THE GUIDELINES BELOW MAY RESULT IN INJURY AND/OR PROPERTY DAMAGE.



Position each part correctly and insert screws or bolts into their respective holes.



Turn clockwise to tighten and only tighten when step is completed or when instructed to do so.



Use the appropriate hand tools or power tools for assembly. Select steps, such as tightening screws and/or bolts, may require hand tools to avoid causing damage during assembly.



Save the instructions and store any supplied tools for later maintenance.



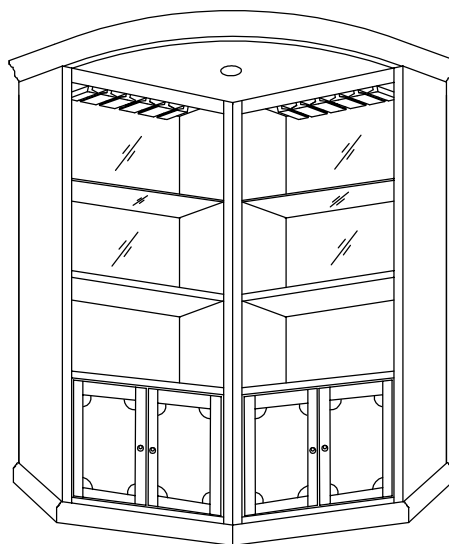
After two weeks, check and tighten any loose hardware and repeat again every six months thereafter.

IT IS THE USER'S RESPONSIBILITY TO MAINTAIN THE FURNITURE. THE HARDWARE MAY LOOSEN OVER TIME AND MAY CAUSE THE FURNITURE TO BE WOBBLY AND UNABLE TO SUPPORT ITS INTENDED WEIGHT CAPACITY. THIS MAY LEAD TO COLLAPSE AND MAY CAUSE SERIOUS INJURY.

CURIO CABINET

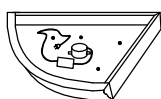


- Please keep instructions for future reference.
- Check the quantity and irregularity of parts and hardware before you start.



PARTS

#1 1pc



Curio Cabinet Bridge

#2 1pc



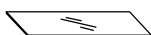
Left Curio Cabinet

#3 1pc



Right Curio Cabinet

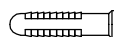
#4 2pcs



Glass Shelf

ACCESSORIES

A1 1PC



WALL ANCHOR

A2 1PC



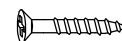
TIGHTWIRE

A3 1PC



LONG WOOD SCREW

A4 1PC



MEDIUM WOOD SCREW

HARDWARE

#A 1pc



Wrench

#B 4pcs



Bolt Ø5/16"X1-1/2"

#C 4pcs



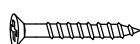
Lock Washer

#D 4pcs



Flat Washer

#E 4pcs



Screw

#F 8pcs



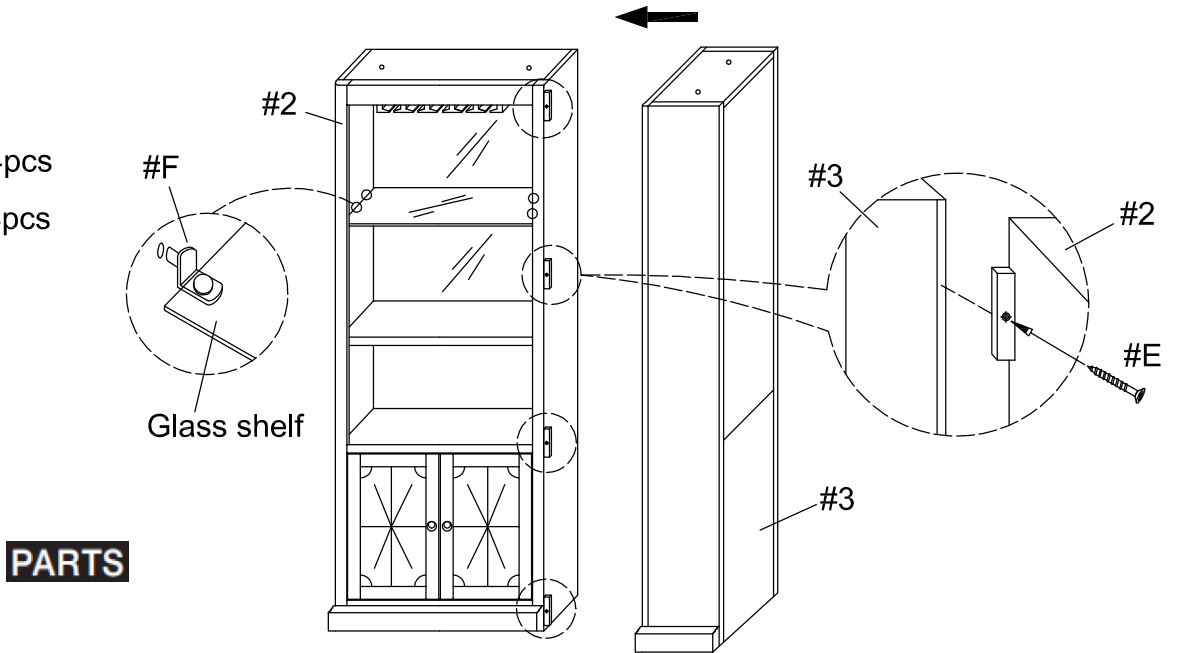
Support Bracket

ASSEMBLY INSTRUCTIONS

1

- I. Align the right curio cabinet (#3) to the pre-drilled holes on the edge of the left curio cabinet (#2). Insert 4 screws (#E) and secure using the Phillips screwdriver.
- II. Insert support brackets (#F) into the pre-drilled holes located on the inner part of the cabinets. Then apply the glass shelf.

- Part #2 X1pc
- Part #3 X1pc
- Hardware #E X4pcs
- Hardware #F X8pcs

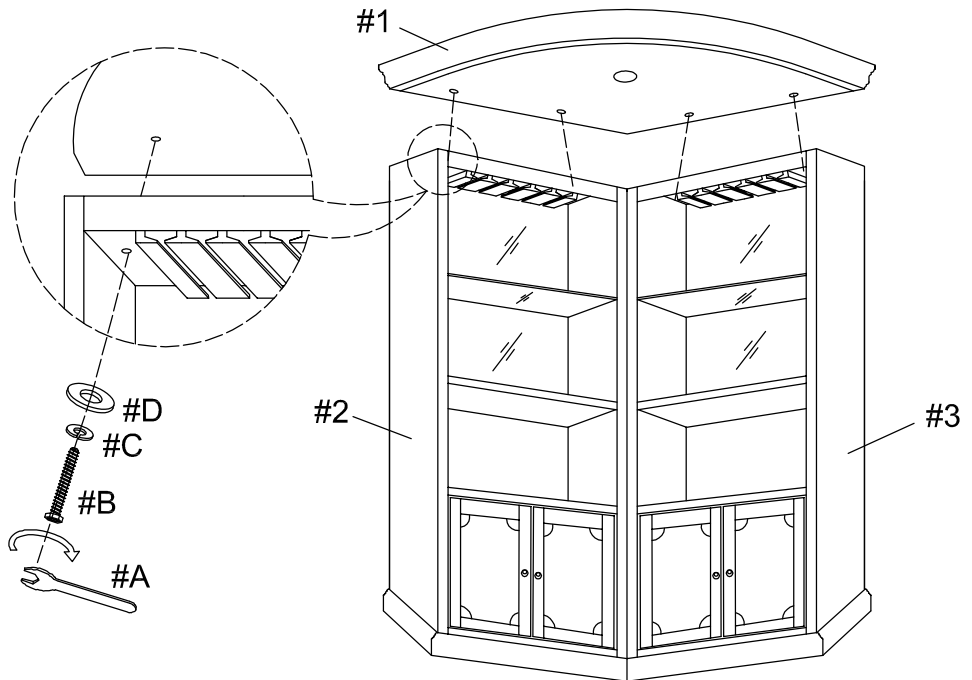


PARTS

2

- Carefully place the curio cabinet bridge on top of the assembled cabinets. Align the pre-drilled holes. Prepare 4 bolt assemblies by FIRST inserting the lock washer (#C) onto the bolt (#B) then the flat washer (#D) onto that SAME bolt (#B). Insert bolt assemblies into the inner pre-drilled holes in the cabinets. Secure using the wrench (#A).

- Part #1 X1pc
- Hardware #A X1pc
- Hardware #B X4pcs
- Hardware #C X4pcs
- Hardware #D X4pcs

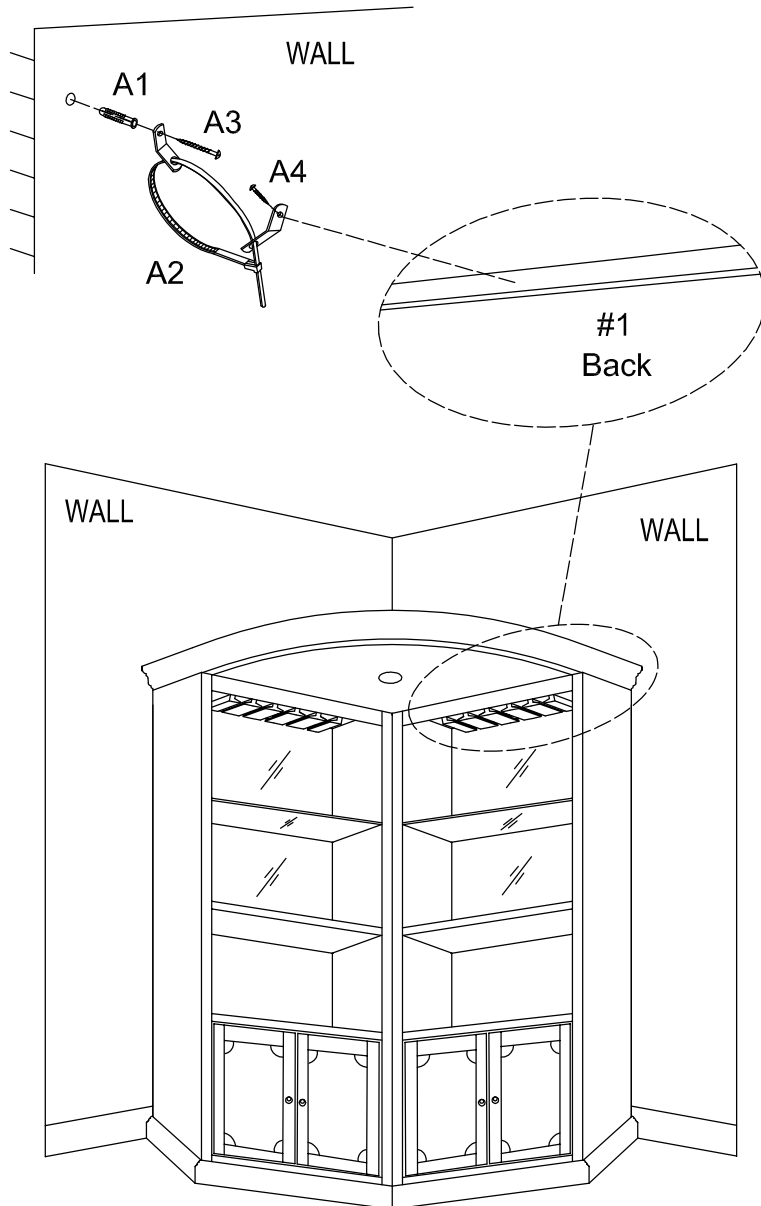


ASSEMBLY INSTRUCTIONS

3

- Accessories **A1** X1pc
- Accessories **A2** X1pc
- Accessories **A3** X1pc
- Accessories **A4** X1pc

Attach fall prevention hardware to the wall, then to the hutch (#1) to prevent the product from tipping.



ASSEMBLY COMPLETED



Please ensure the furniture rests on an even and flat surface. If the product wobbles or feels loose, double-check all bolts and/or screws are properly tightened and secured.

✓ Keep this handy!

Please retain this instruction manual and any order-related information for future reference.

✓ Lift, don't drag!

To avoid damage to product please always LIFT the product when transporting or adjusting the placement.

FURNITURE TIPPING RESTRAINT

WARNING

Injury may result from tipping furniture
This restraint is not a substitute for proper adult supervision.
This restraint may provide protection against tipping furniture.
Do not allow children to climb on furniture.
Failure to detach this restraint before moving furniture may result in injury and damage

ATTENTION: Anti tipping safeguard
Please install the Anti tipping hardware as shown in the drawing, this can help to prevent any tipping issues.

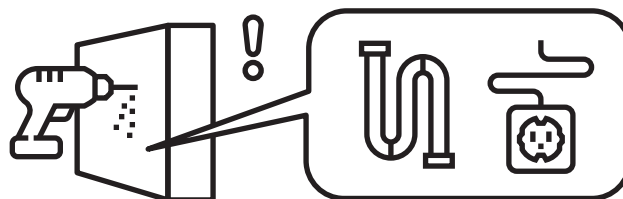
ASSEMBLY INSTRUCTIONS

Wall Mounting and Fixing



EXPANSION WALL ANCHOR

Our provided expansion wall anchors are only suitable for masonry walls, such as drywall, plaster or concrete, and are best for holding lightweight items or for anti-tip prevention. If you are unsure of the correct wall anchor to use with the product, please request professional guidance. Liability for product damage or failure due to using the incorrect anchors will fall on the installer.

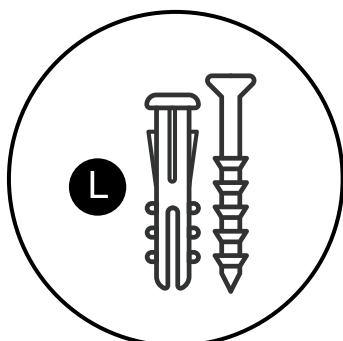


CHECK BEFORE PROCEEDING

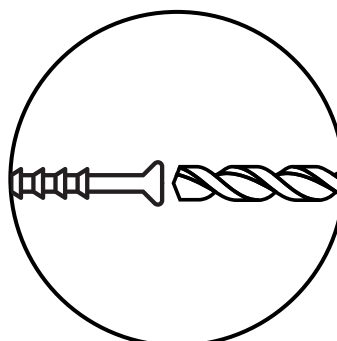
Prior to drilling or hammering, please check for wires or pipes. We recommend using a stud finder to locate a stud, which will offer more appropriate resistance and hold more weight.

QUICK TIPS

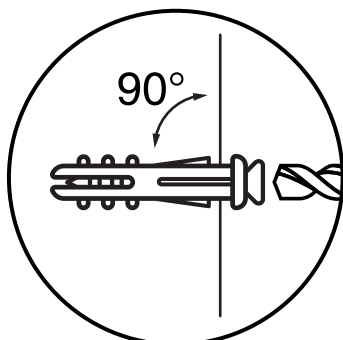
1. If unsure of the proper size, always choose a larger screw and wall anchor.



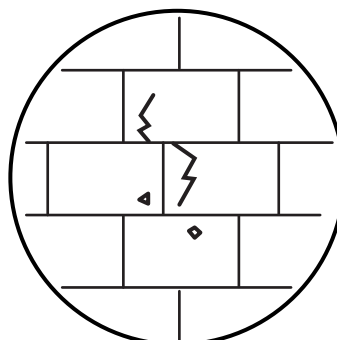
2. Match the drill bit to the wall anchor and hole size.



3. Only drill horizontally. Do not force the drill or enlarge the hole for the wall anchor.



4. Take extra care when drilling into high walls or ceramic tiles. Wall anchors should be a tight fit for the hole. Never use wall anchors in ceilings.



MAINTENANCE



We recommend a yearly check to see if the wall anchor or screw has loosened. If so, please remove the existing wall anchor and screw, and use a new anchor.