

---

# RECEPTION DESK

User Manual

---

# INTRODUCTION

Thank you for choosing the Reception Desk. Please read this user manual carefully and keep it for future reference. If you need any assistance, please contact us by email with your order number and details.

# PACKAGE CONTENTS

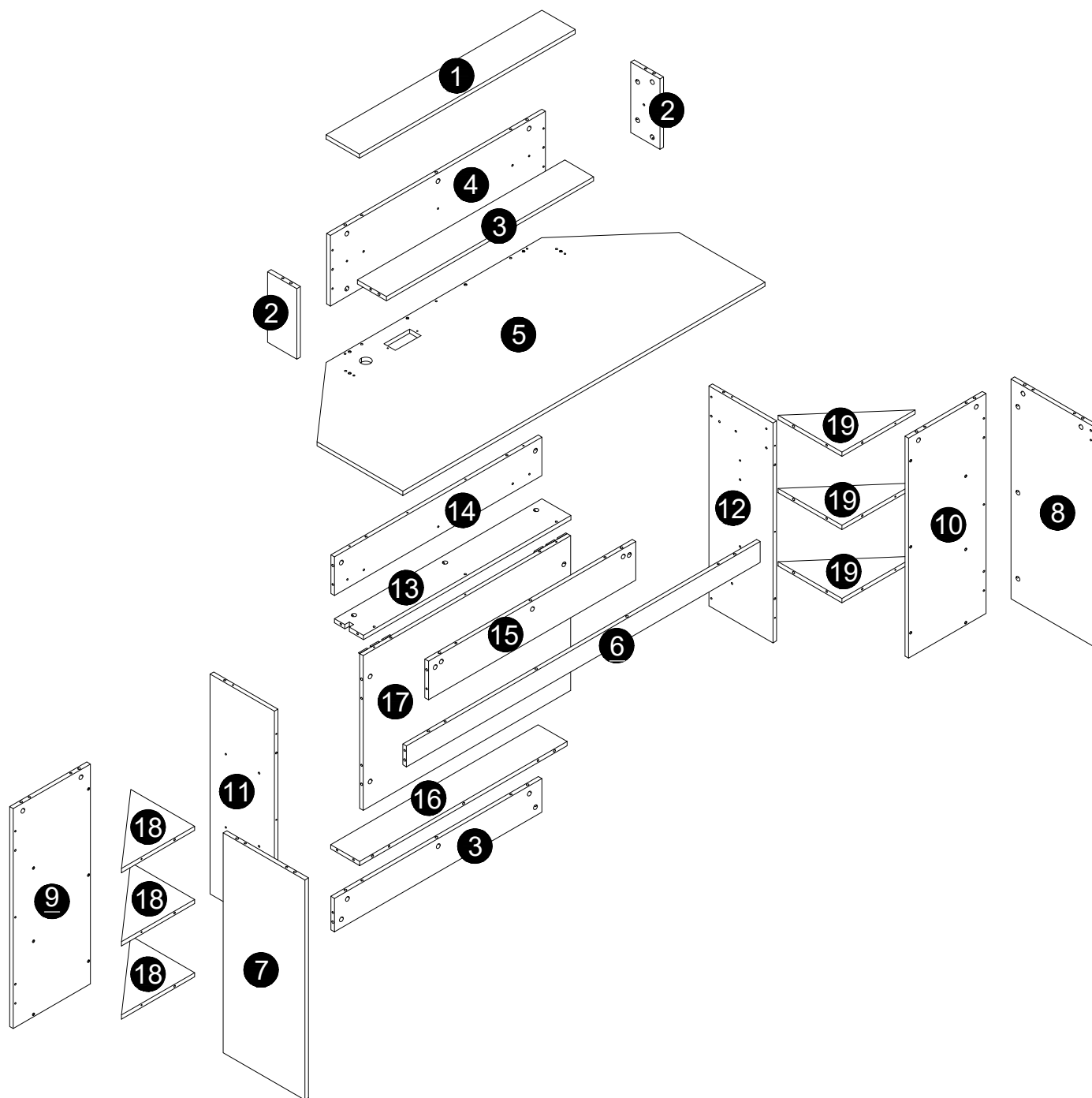
- 1 x Reception Desk
- 1 x Pack of Accessories
- 1 x User Manual

# PRODUCT CARE

- Please follow the instruction to assemble this item correctly.
- Don't make the screws be too loose or too tight.
- Please put the screws into the holes' position just as shown in the arrows of the image, and then clockwise rotate 90° or 180°
- More product parts, it is recommended that two people install
- The fittings pack contains small accessories that should be kept away from small children.

## PACKAGE CONTAINS

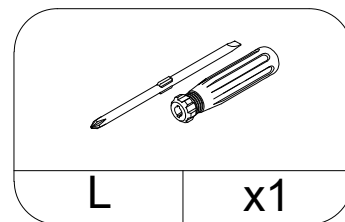
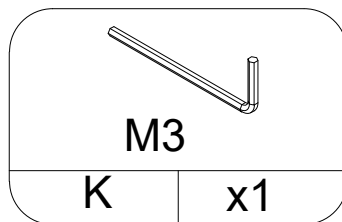
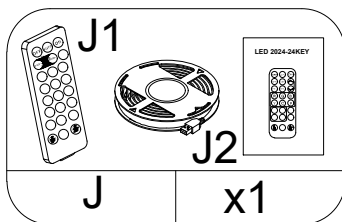
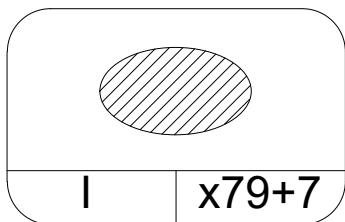
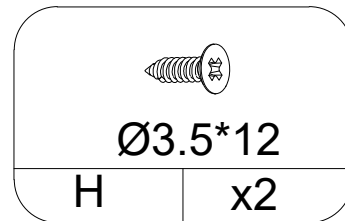
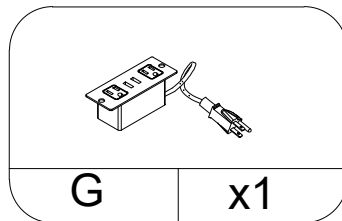
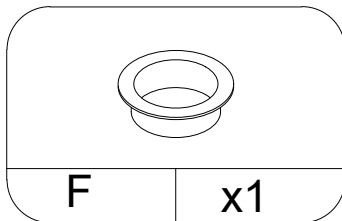
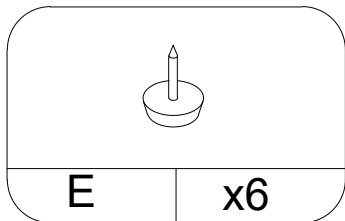
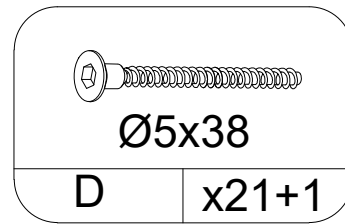
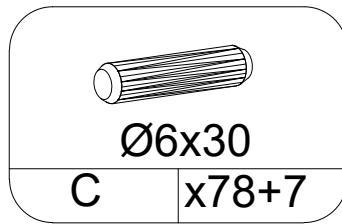
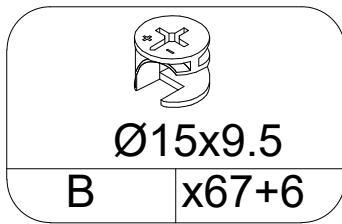
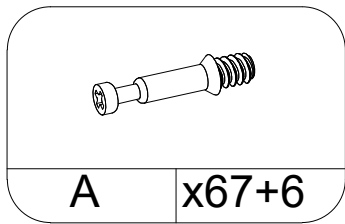
TOP

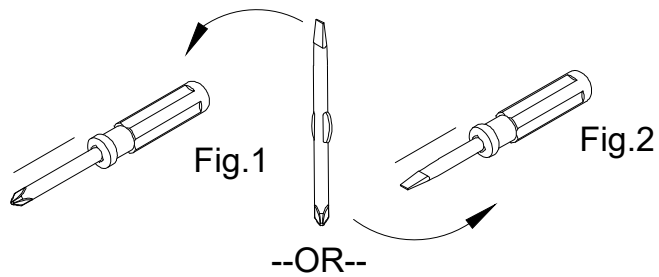


Bottom

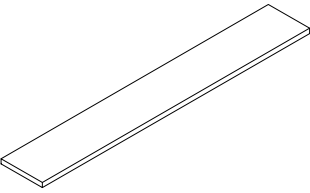
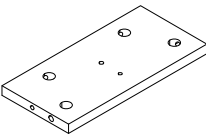
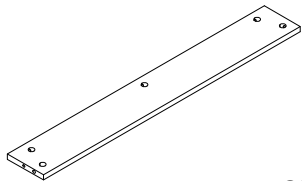
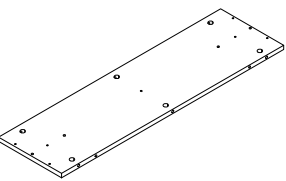
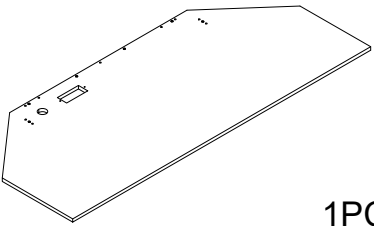
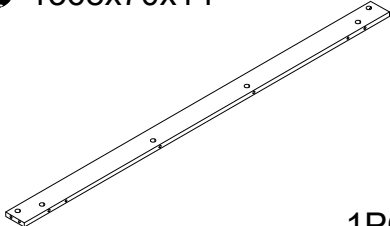
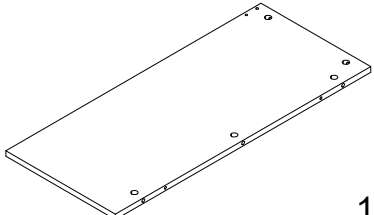
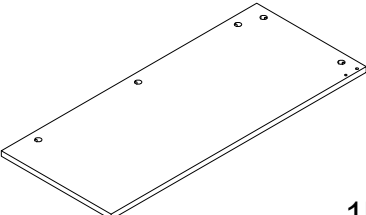
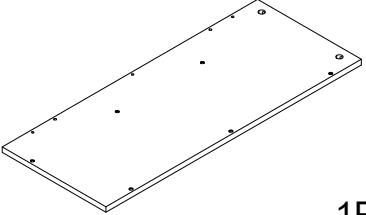
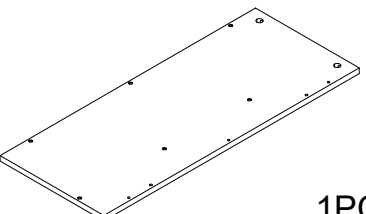
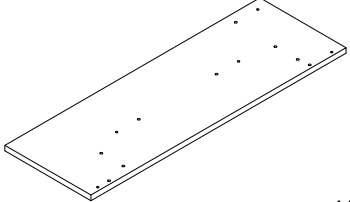
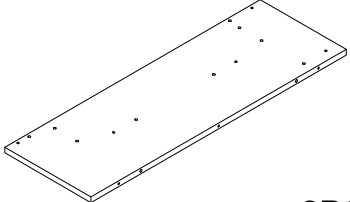
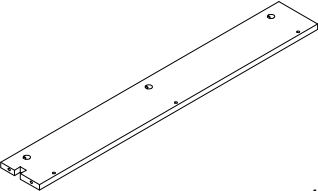
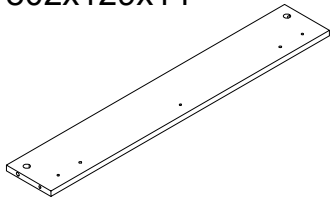
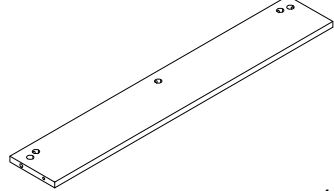
1. When installing the product, use a soft surface (such as carpet or cardboard) to avoid scratching or damaging the surface of the product.
2. Please try to use a manual screwdriver instead of electric screw driver. A manual screwdriver can be used to better control the tightness of the screws.
3. Do not use any glue.
4. The product is unstable before it is assembled. Please pay attention to the product installation sequence, and align all screws and screw holes before tightening.
5. The structure of this product can not meet the requirements of children climbing.

# HARDWARE SUPPLIED

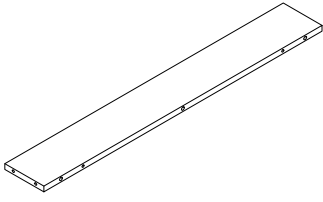




# PARTS LIST

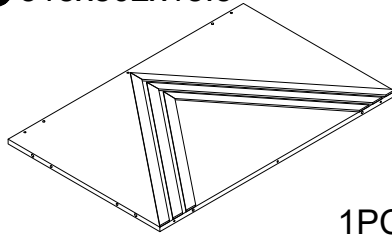
<p>① 834x129x14</p>  <p>1PC</p>	<p>② 236x113x14</p>  <p>2PCS</p>	<p>③ 802x112x14</p>  <p>2PCS</p>
<p>④ 832x236x14</p>  <p>1PC</p>	<p>⑤ 1400x525x14</p>  <p>1PC</p>	<p>⑥ 1368x70x14</p>  <p>1PC</p>
<p>⑦ 736x261x14</p>  <p>1PC</p>	<p>⑧ 736x261x14</p>  <p>1PC</p>	<p>⑨ 736x299x14</p>  <p>1PC</p>
<p>⑩ 736x299x14</p>  <p>1PC</p>	<p>⑪ 736x248x14</p>  <p>1PC</p>	<p>⑫ 736x248x14</p>  <p>2PCS</p>
<p>⑬ 802x112x14</p>  <p>1PC</p>	<p>⑭ 802x129x14</p>  <p>1PC</p>	<p>⑮ 802x129x14</p>  <p>1PC</p>

16 802x112x14



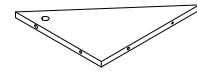
1PC

17 518x802x18.5



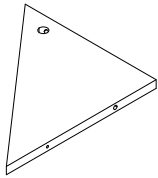
1PC

18 238x246x14



3PCS

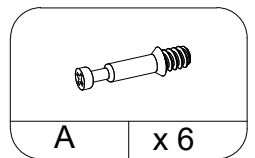
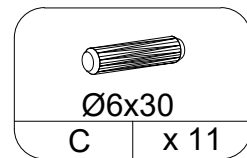
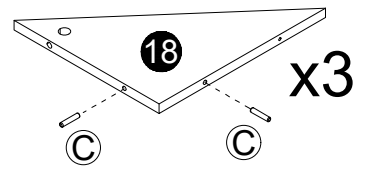
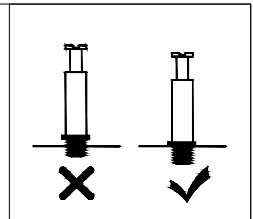
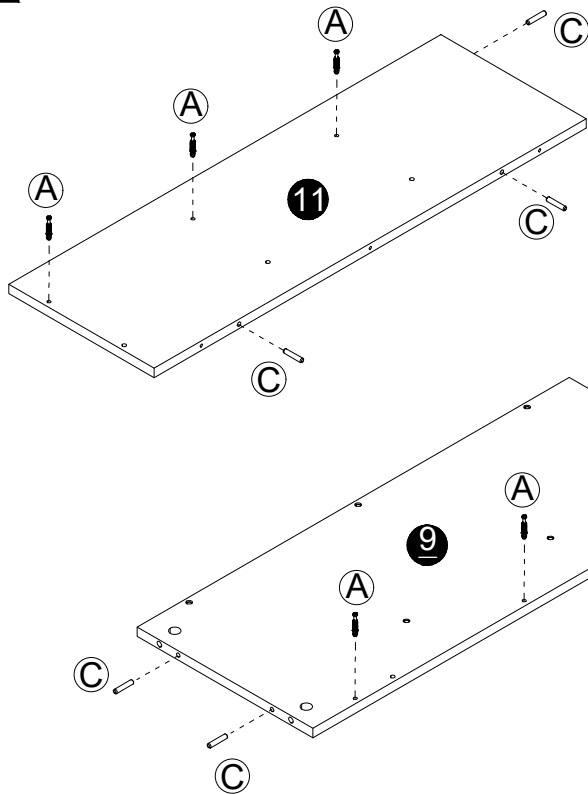
19 238x246x14



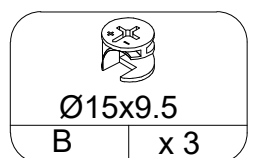
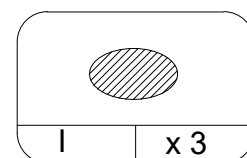
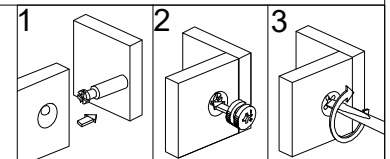
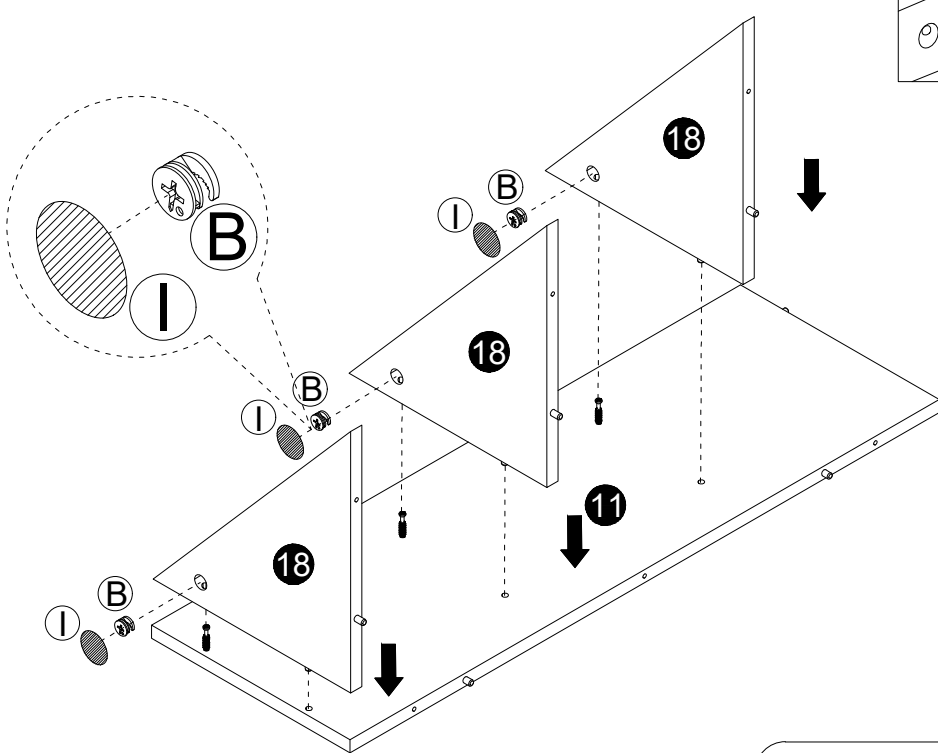
3PCS

# INSTALLATION INSTRUCTION

## STEP1

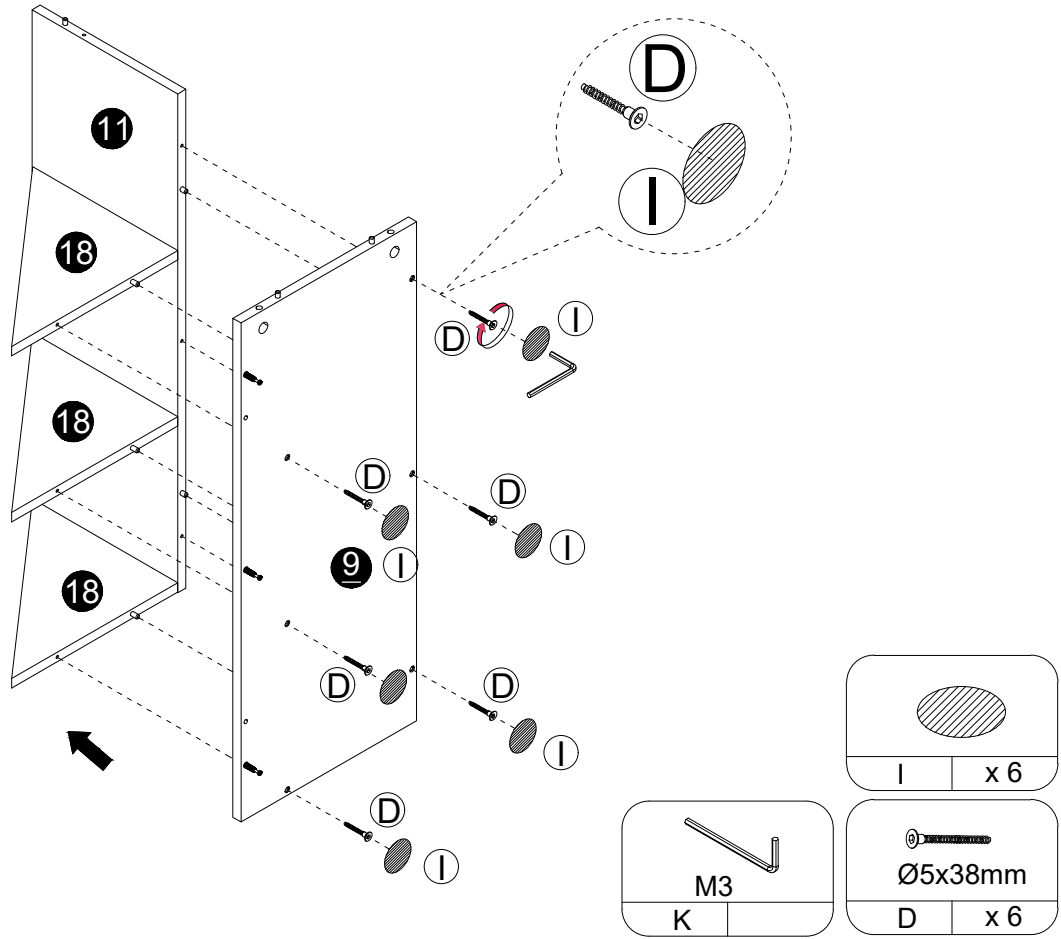


## STEP2

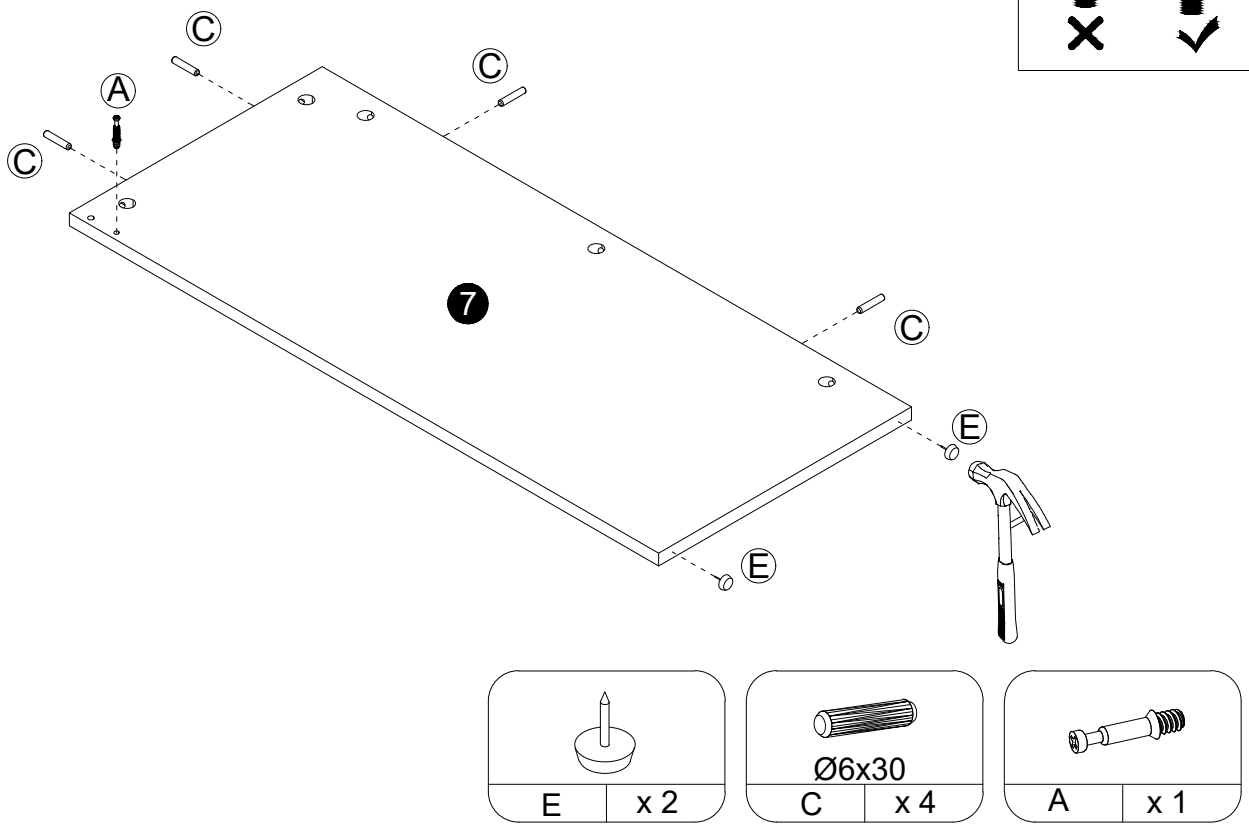


# INSTALLATION INSTRUCTION

## STEP3

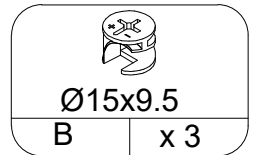
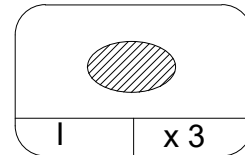
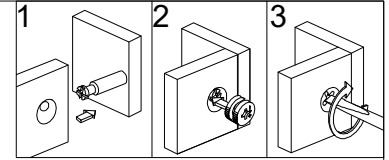
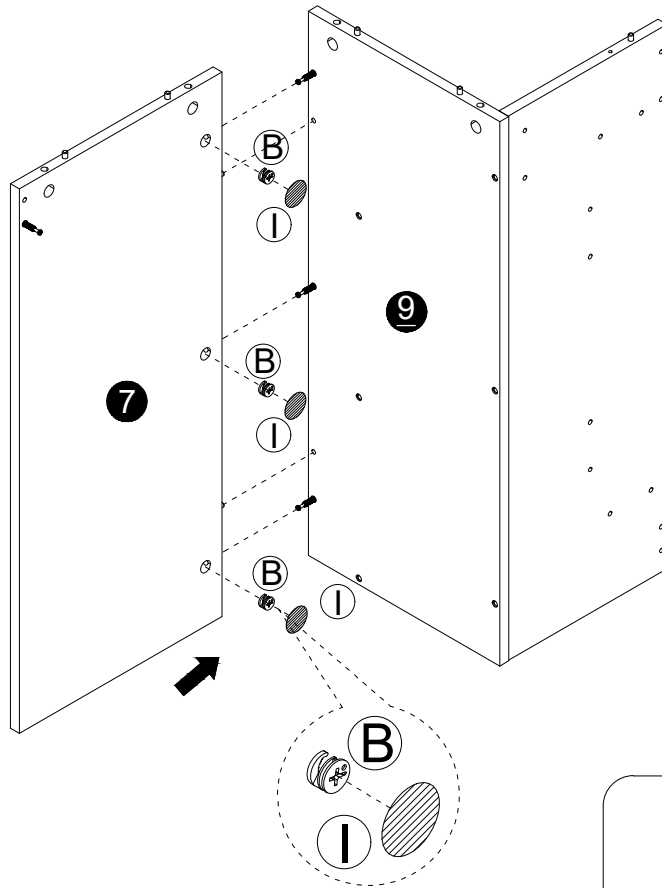


## STEP4

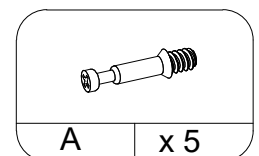
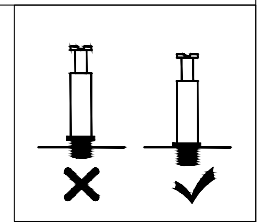
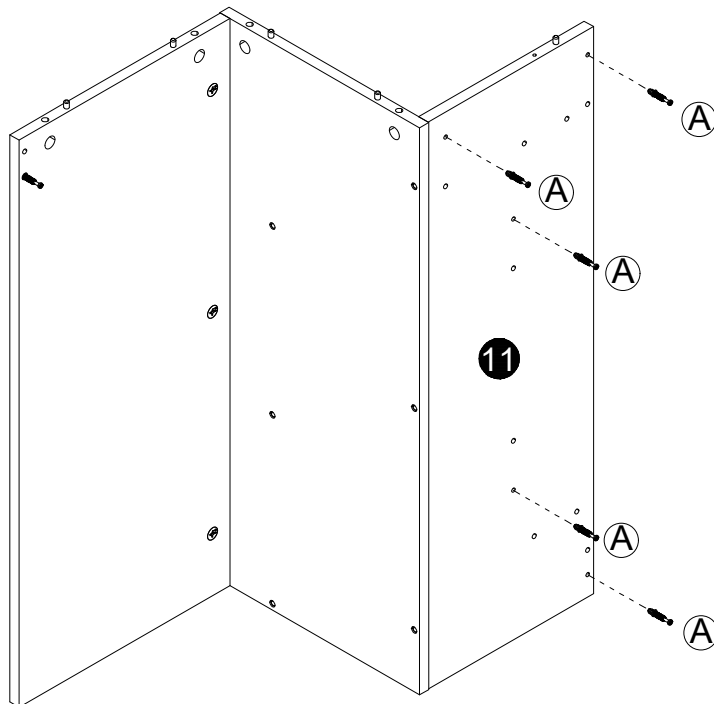


# INSTALLATION INSTRUCTION

## STEP5

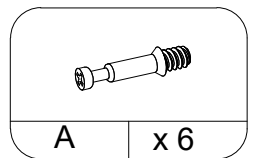
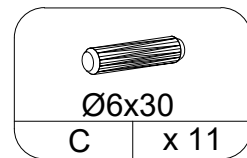
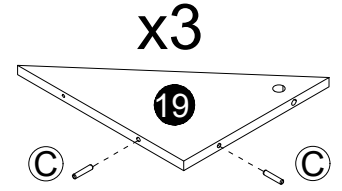
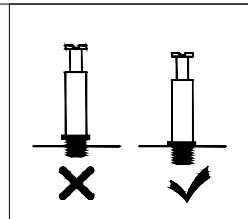
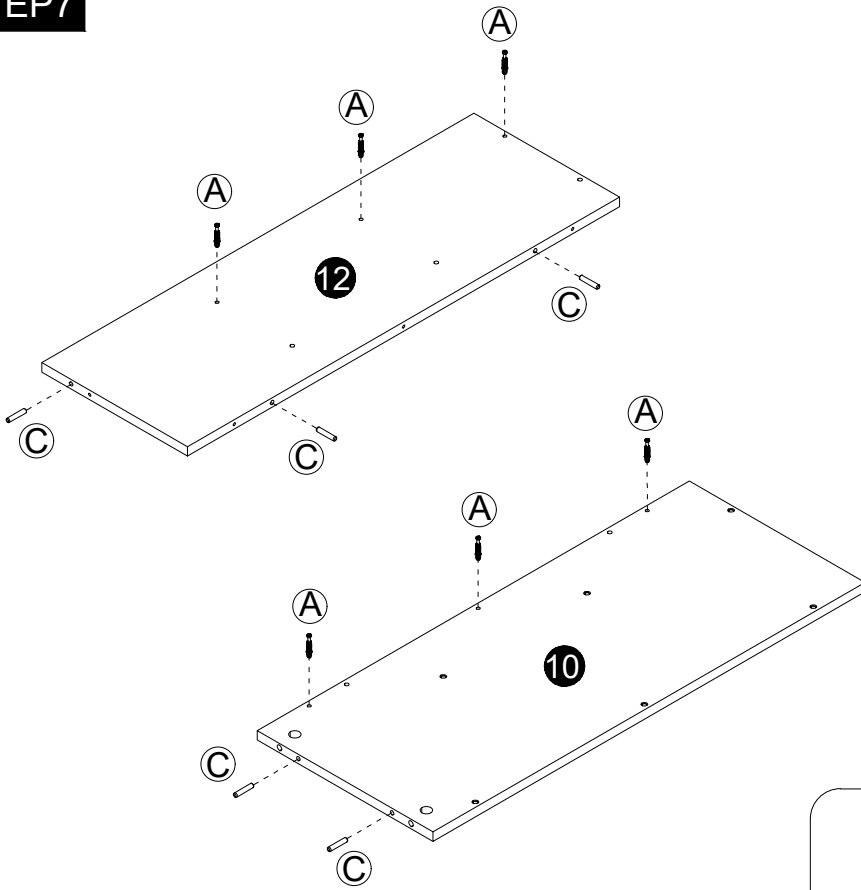


## STEP6

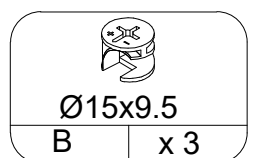
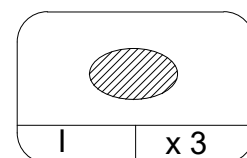
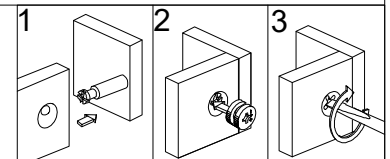
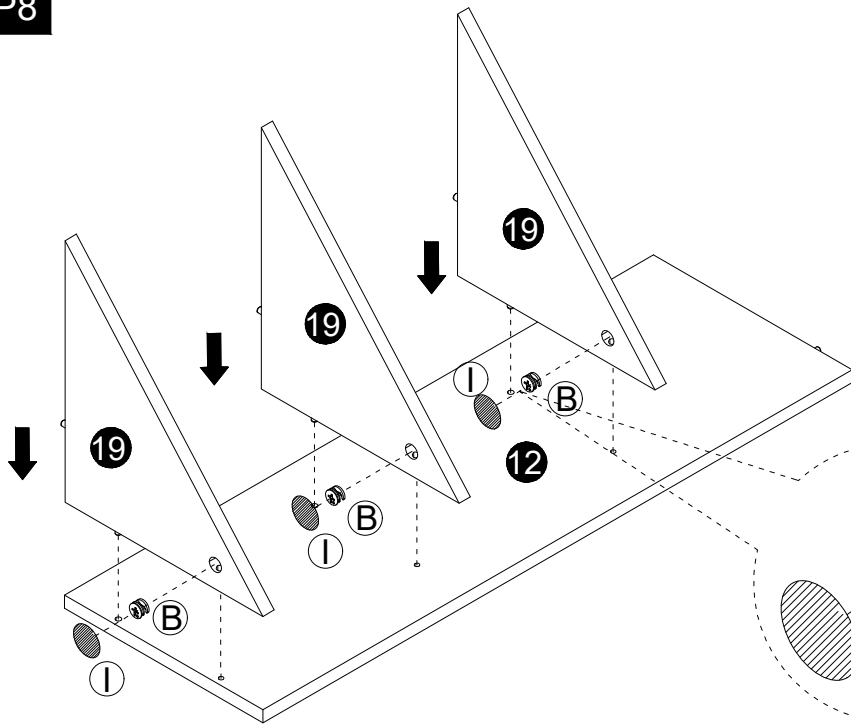


# INSTALLATION INSTRUCTION

## STEP 7

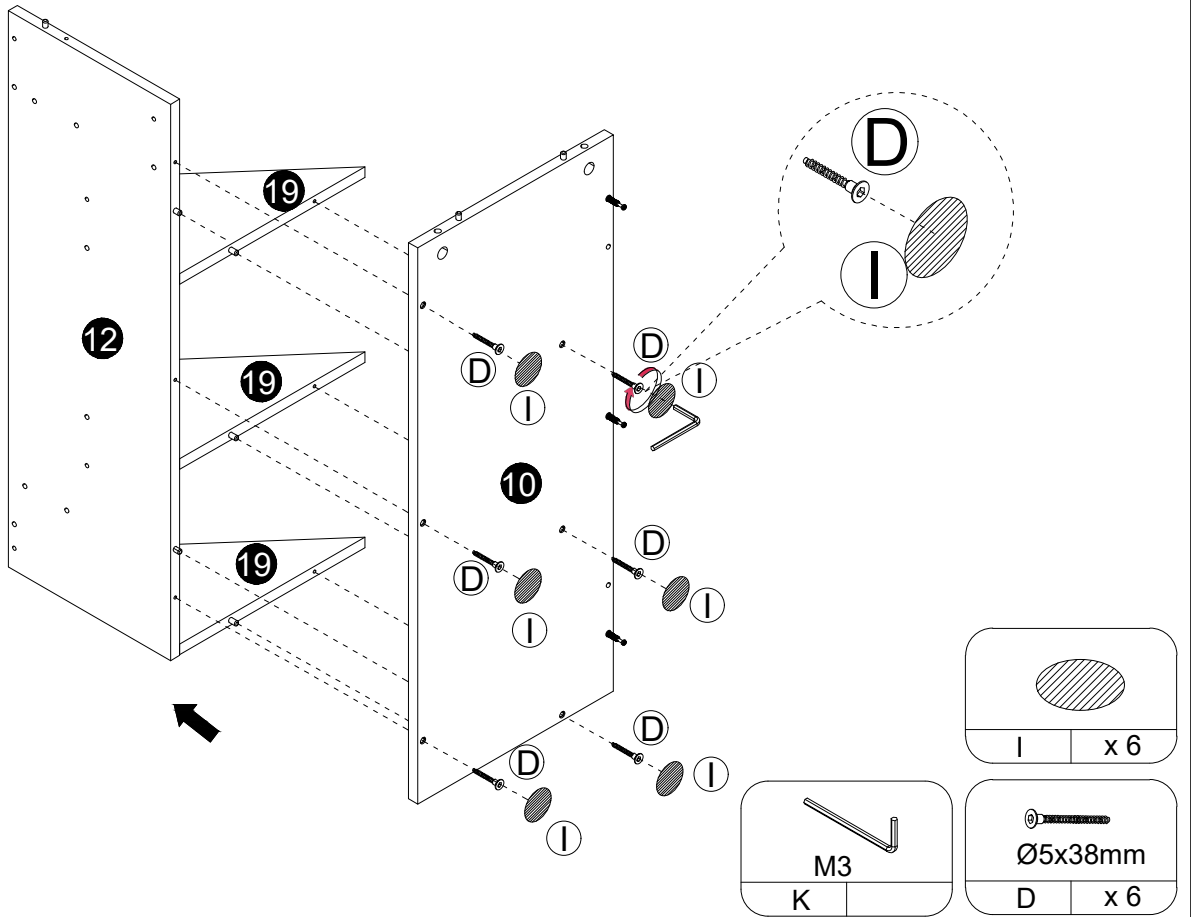


## STEP 8

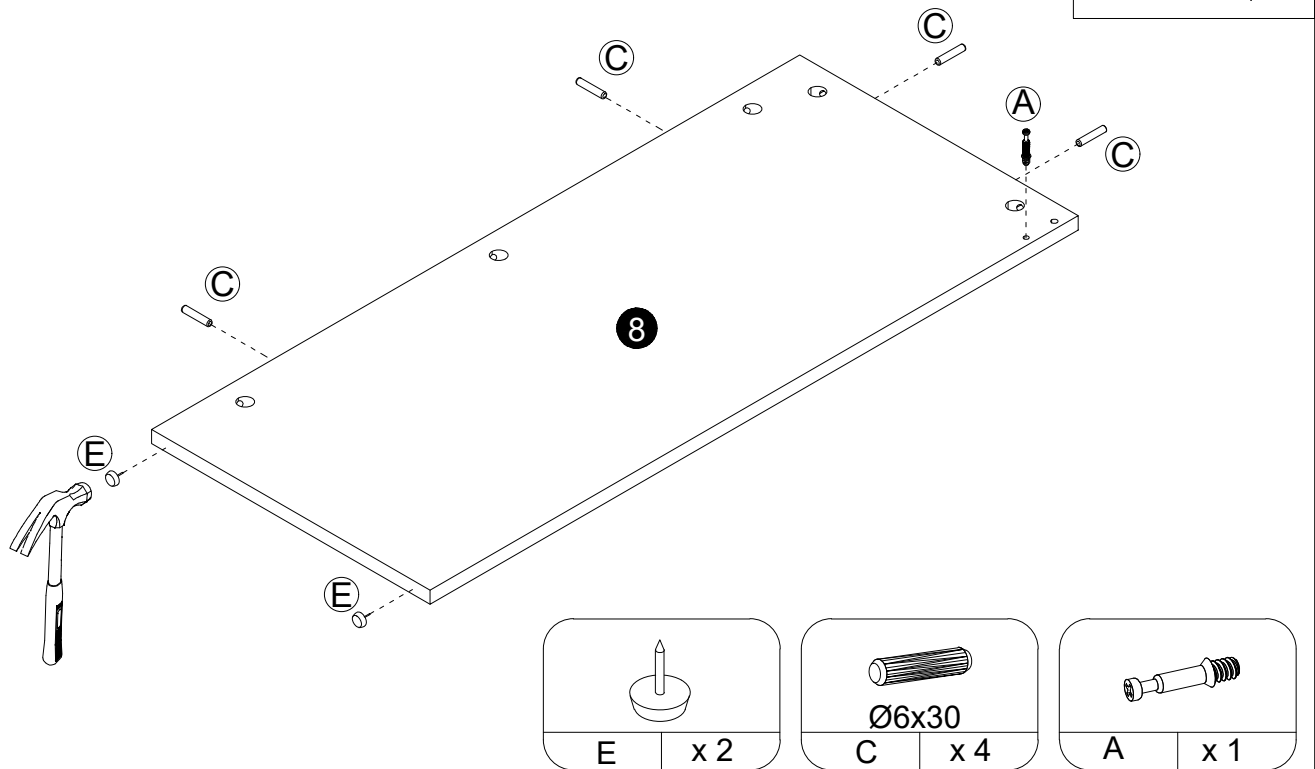


# INSTALLATION INSTRUCTION

## STEP 9

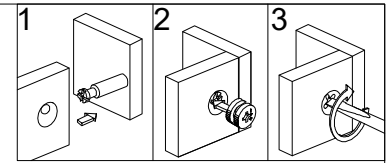
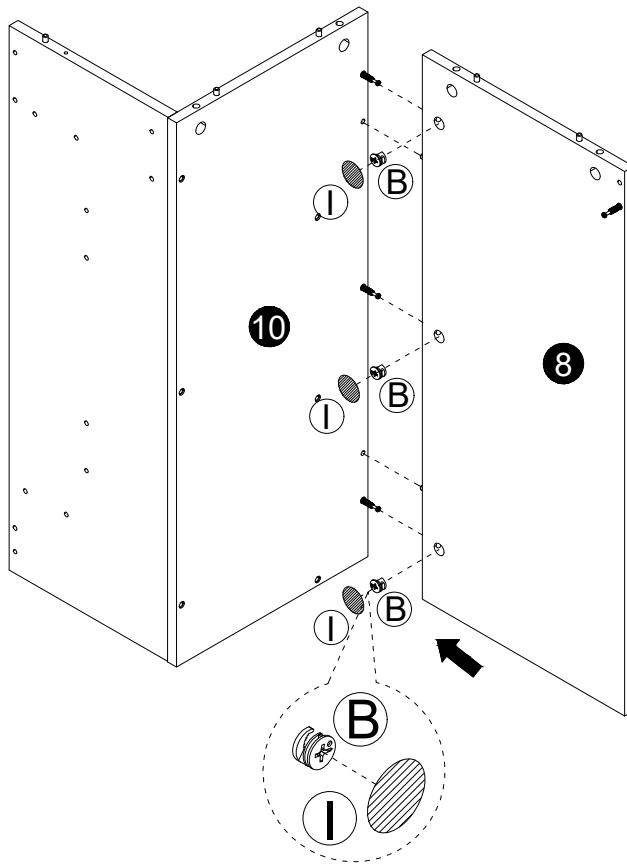




## STEP 10



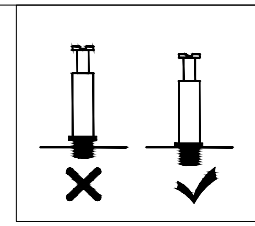
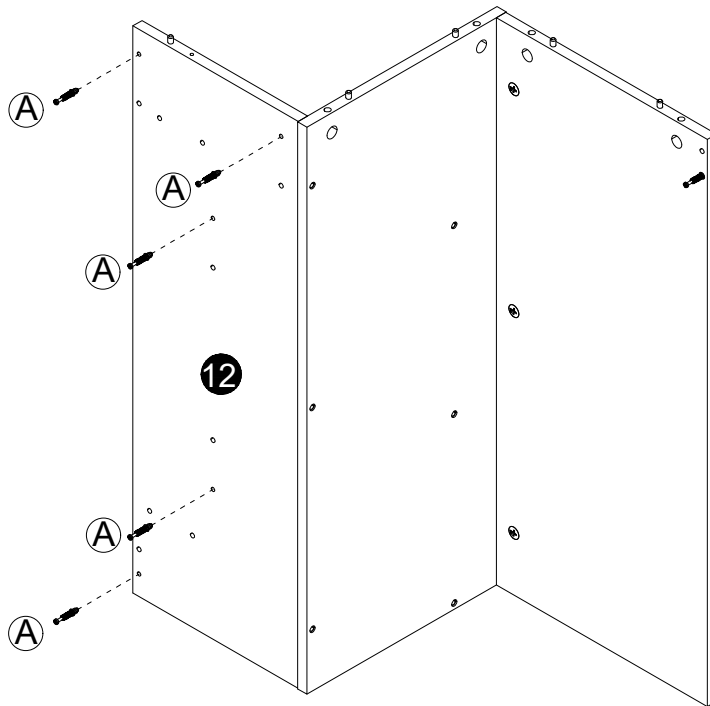
# INSTALLATION INSTRUCTION


## STEP 11



	I	x 3
	B	x 3

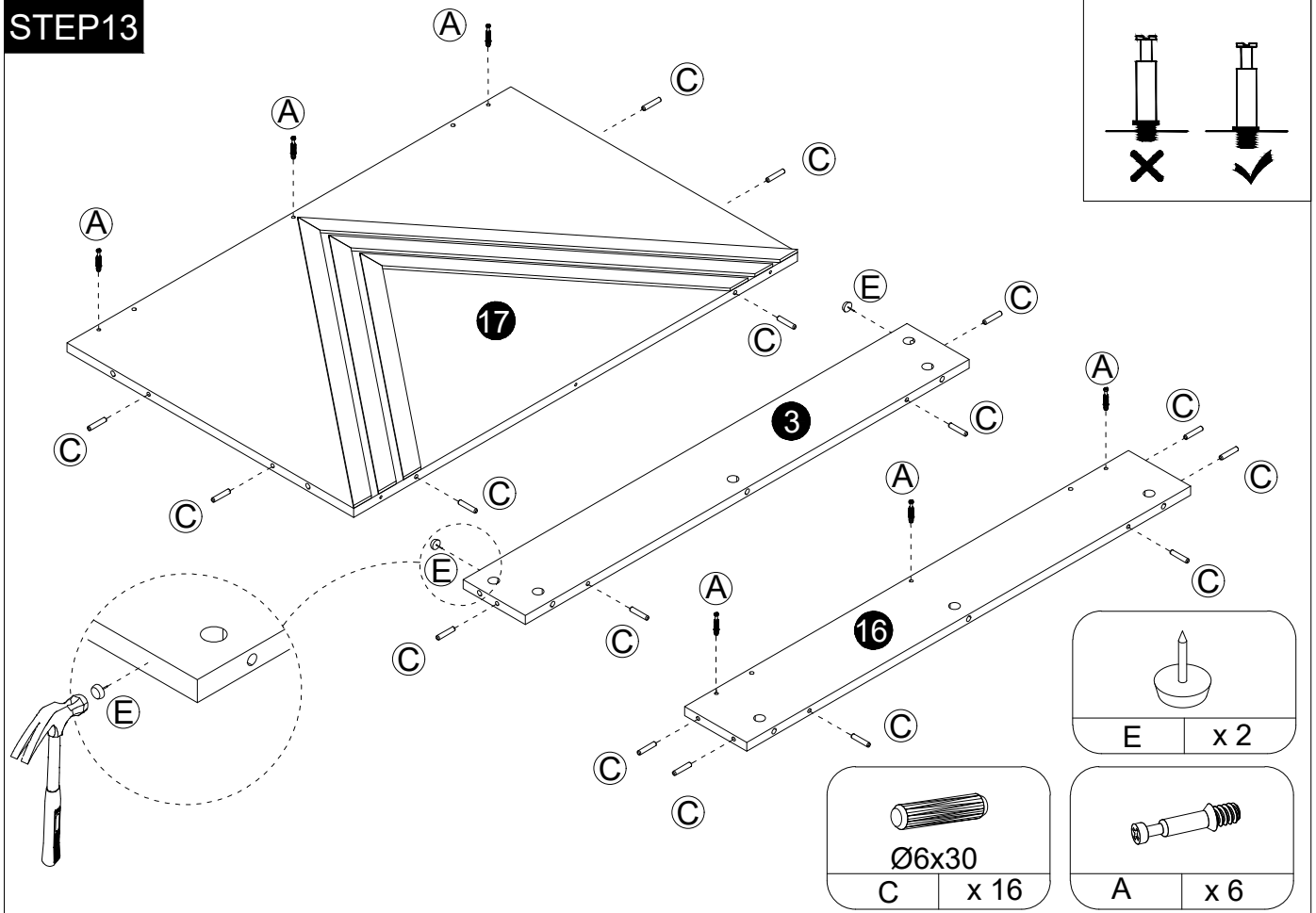
## STEP 12



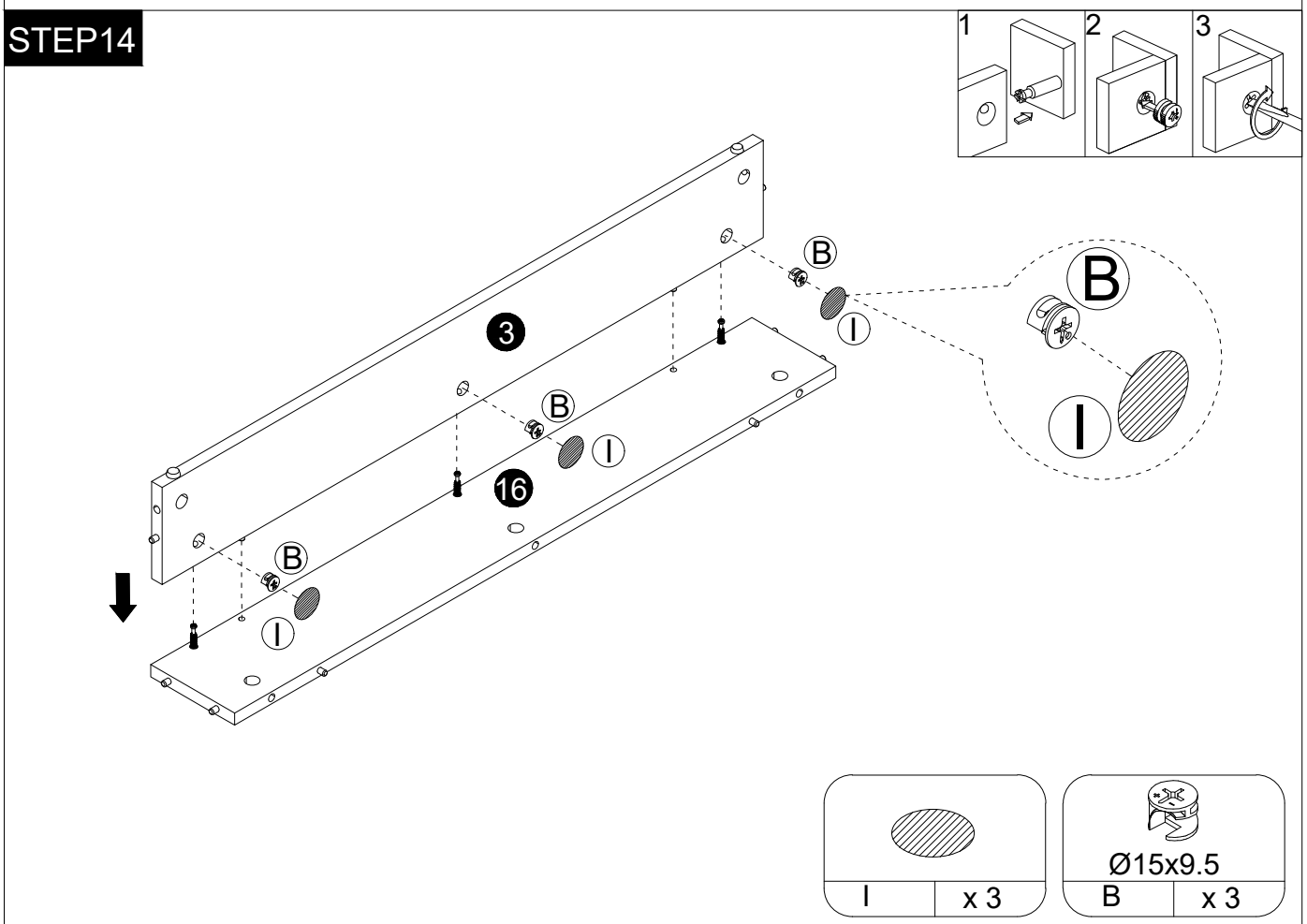
	A	x 5
---	---	-----

# INSTALLATION INSTRUCTION

## STEP 13

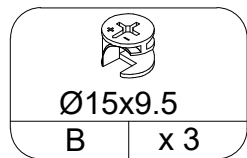
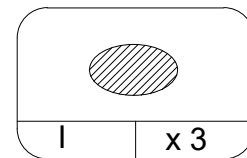
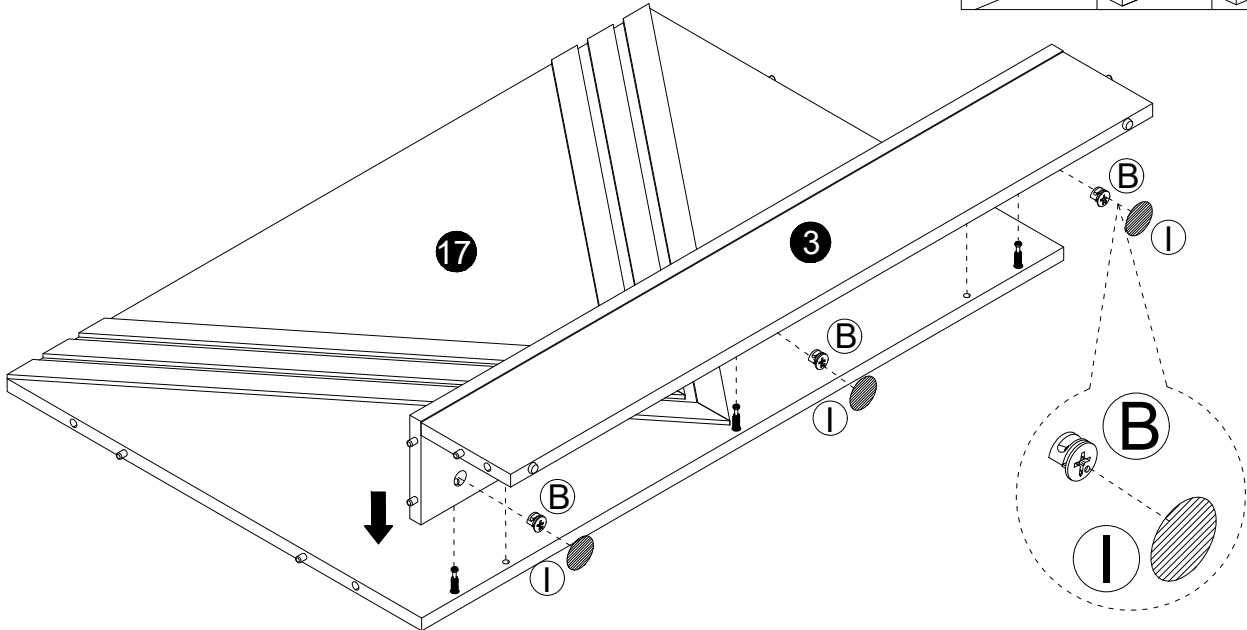
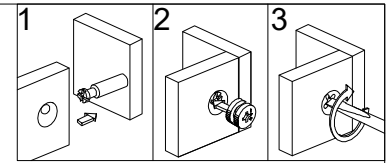


## STEP 14

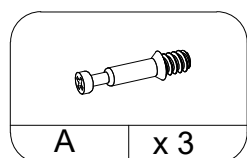
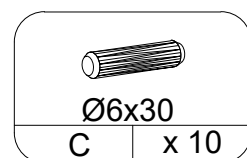
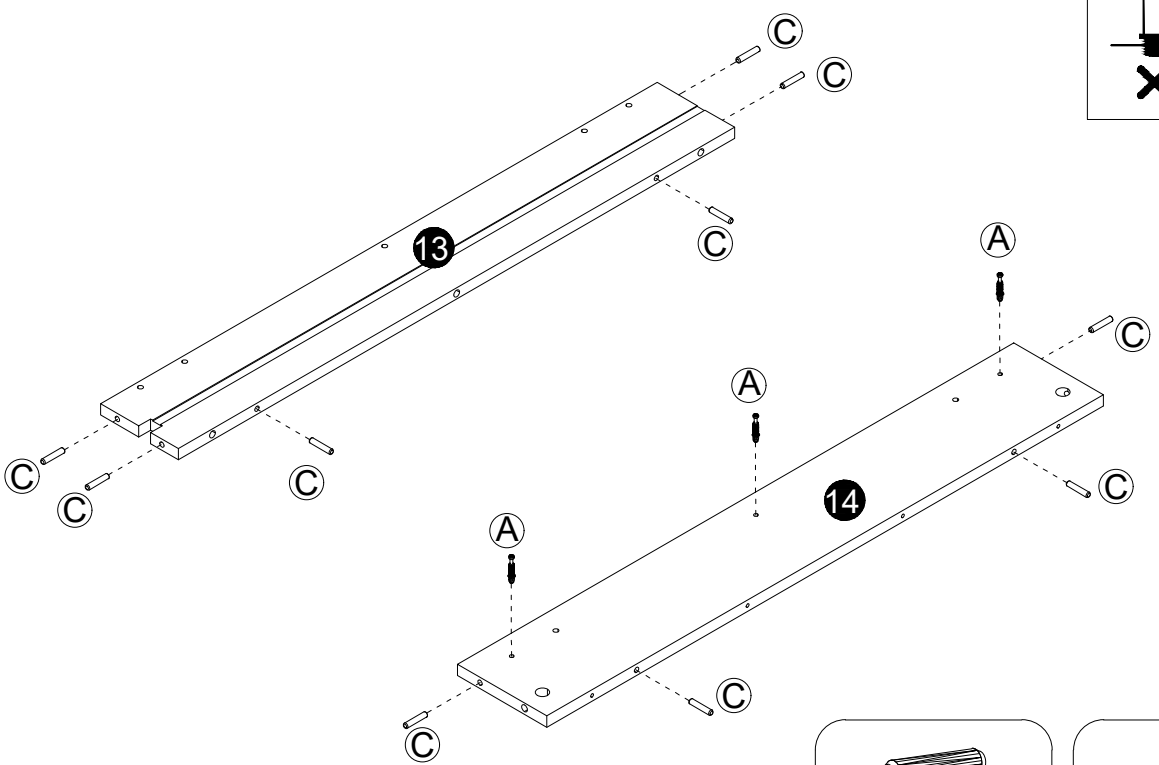
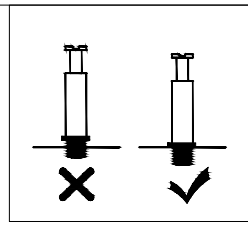


# INSTALLATION INSTRUCTION

## STEP 15



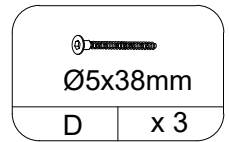
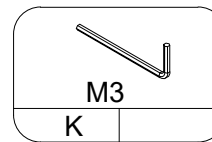
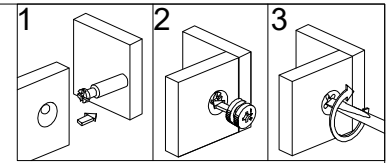
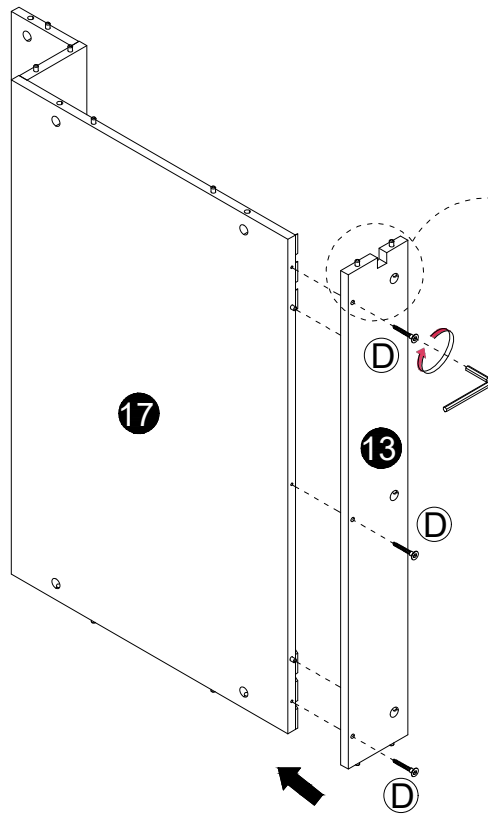
## STEP 16



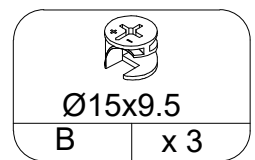
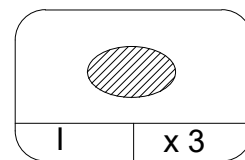
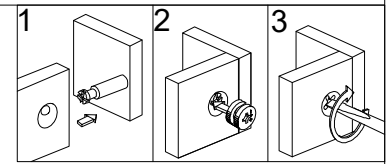
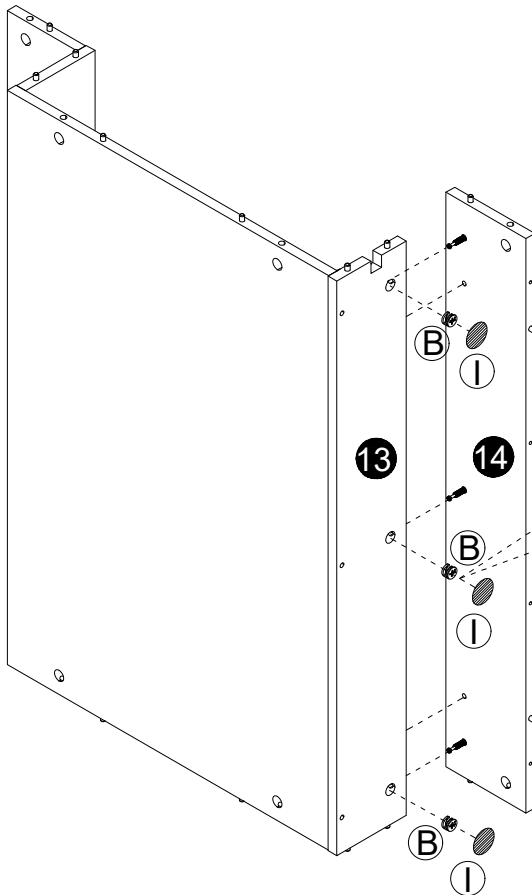
# INSTALLATION INSTRUCTION

B

## STEP 17

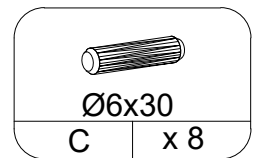
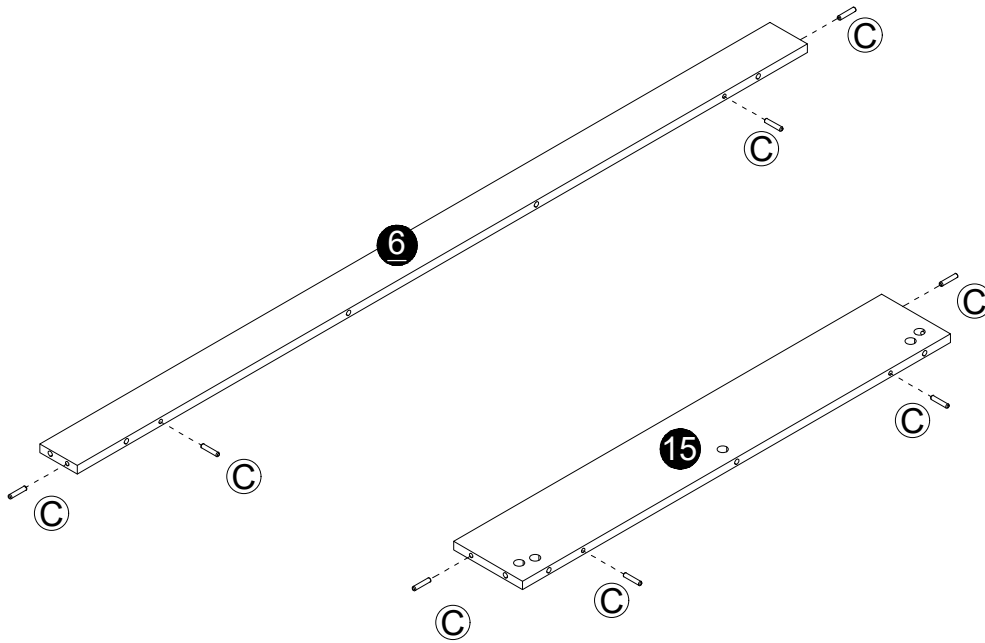


## STEP 18

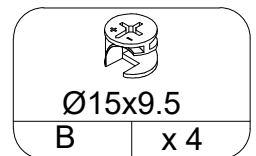
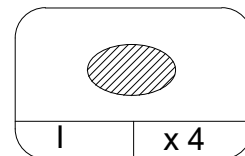
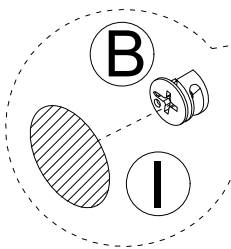
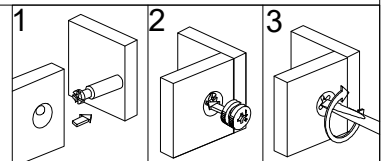
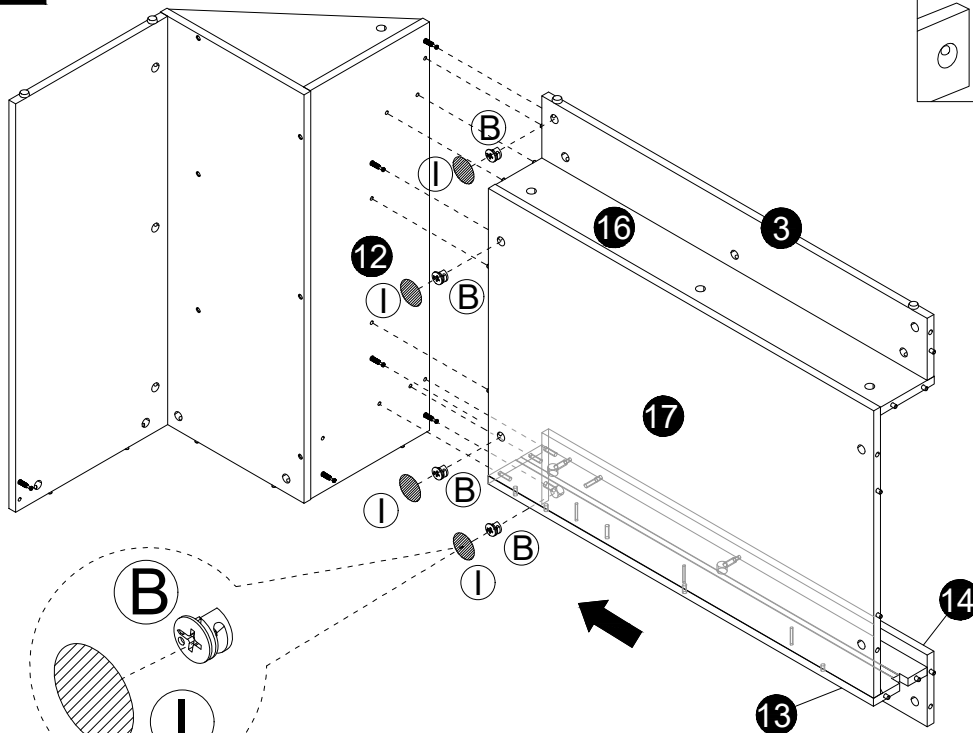


# INSTALLATION INSTRUCTION

## STEP 19

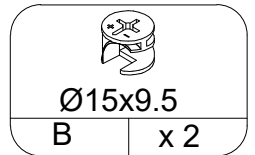
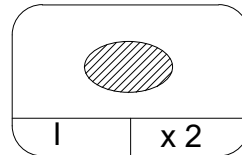
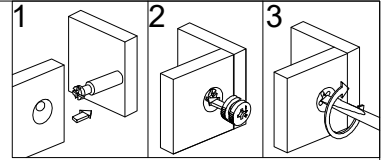
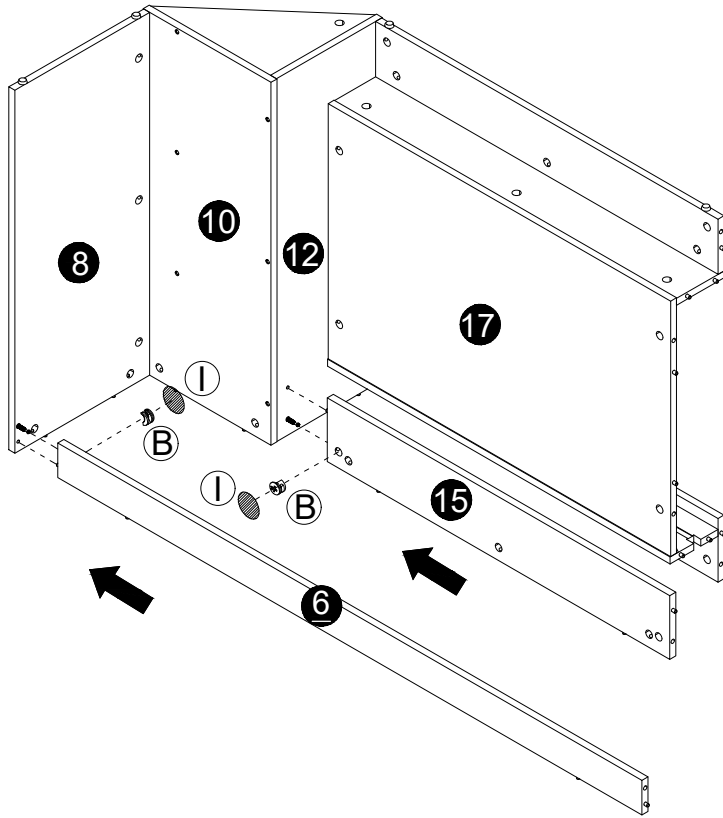


## STEP 20

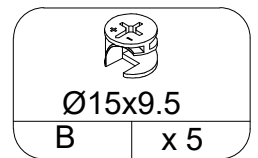
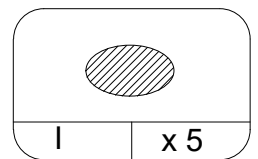
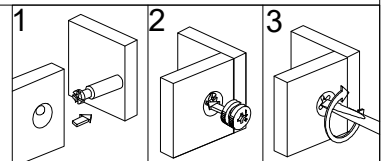
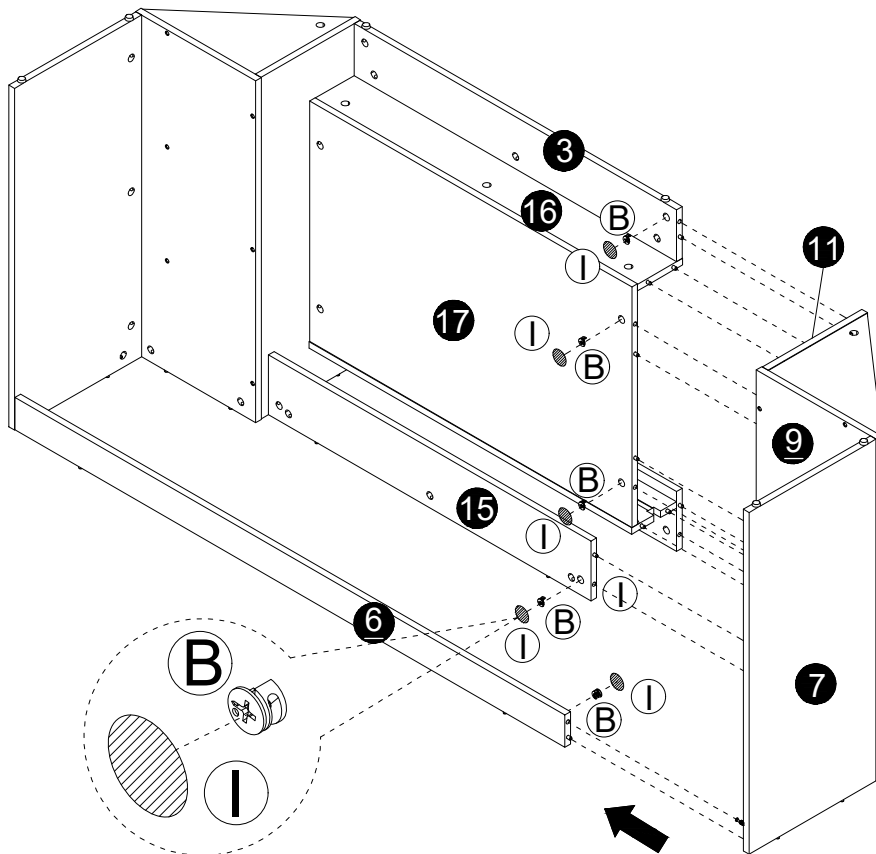


# INSTALLATION INSTRUCTION

## STEP 21

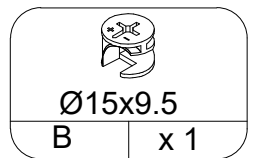
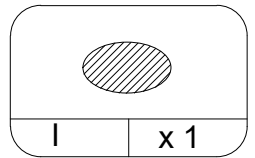
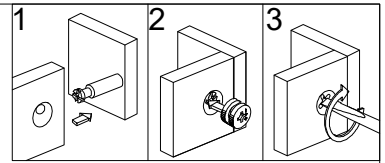
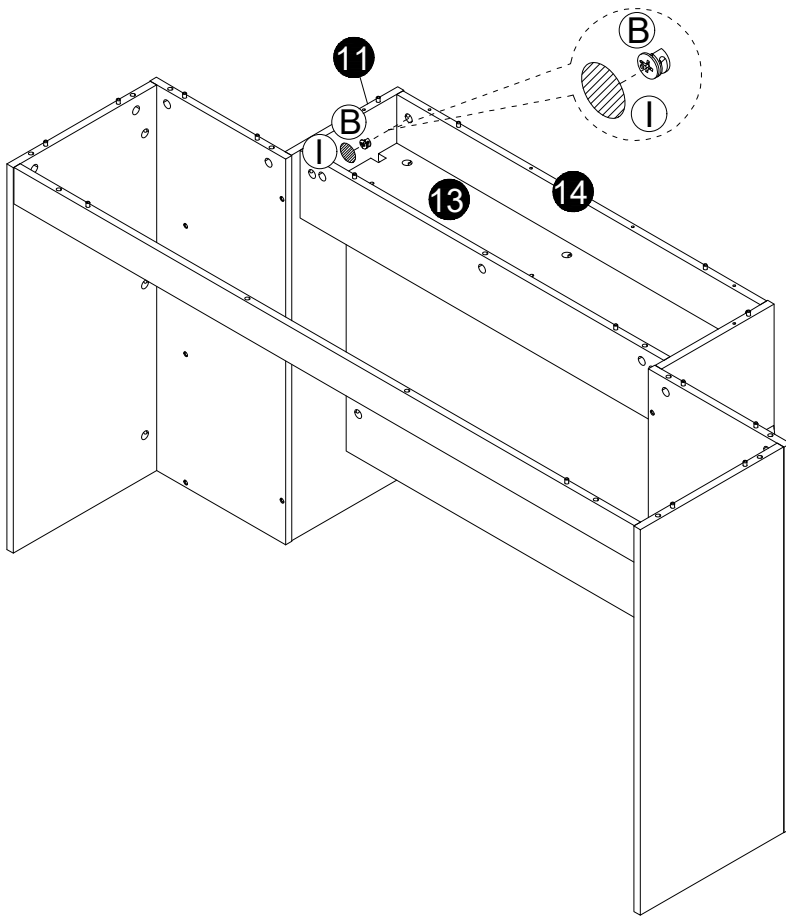


## STEP 22

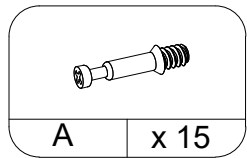
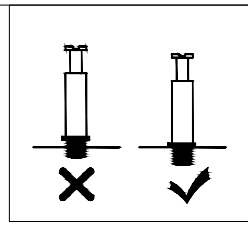
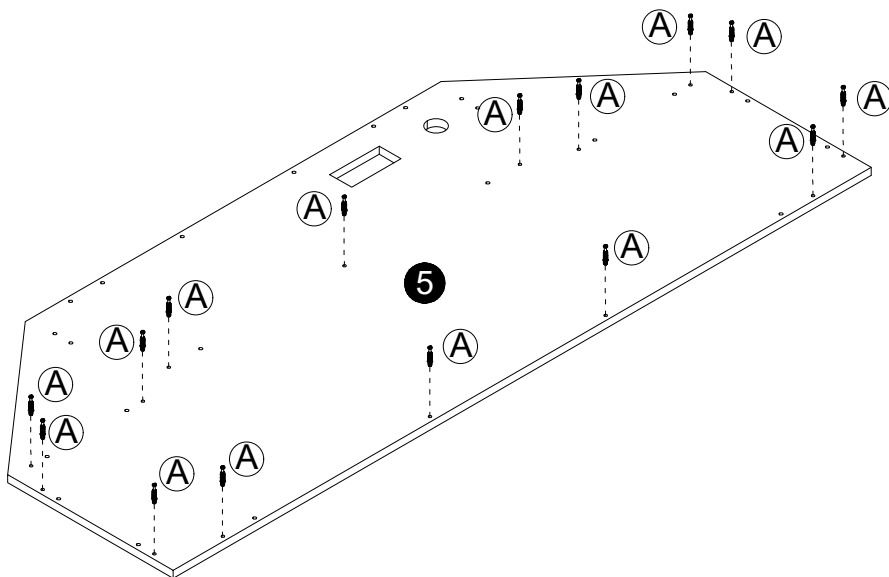


# INSTALLATION INSTRUCTION

## STEP 23

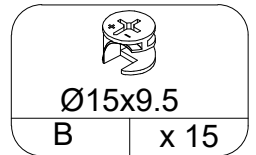
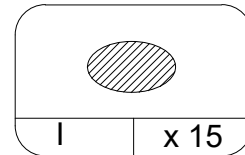
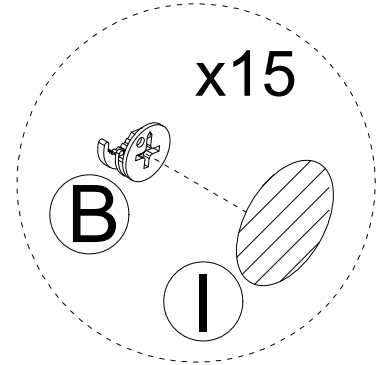
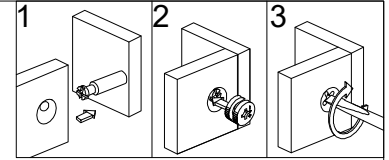
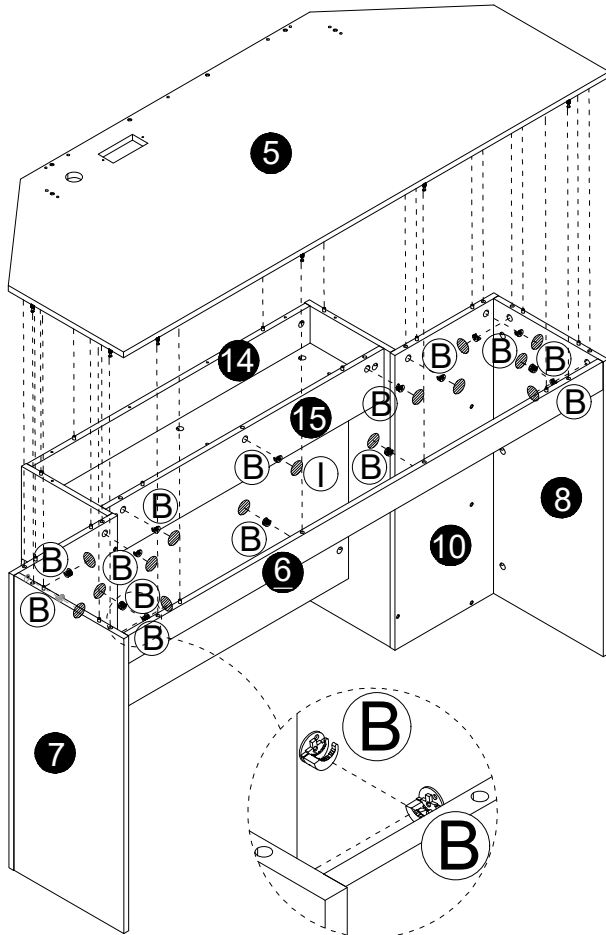


## STEP 24

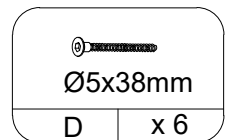
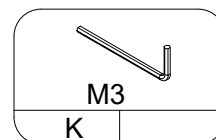
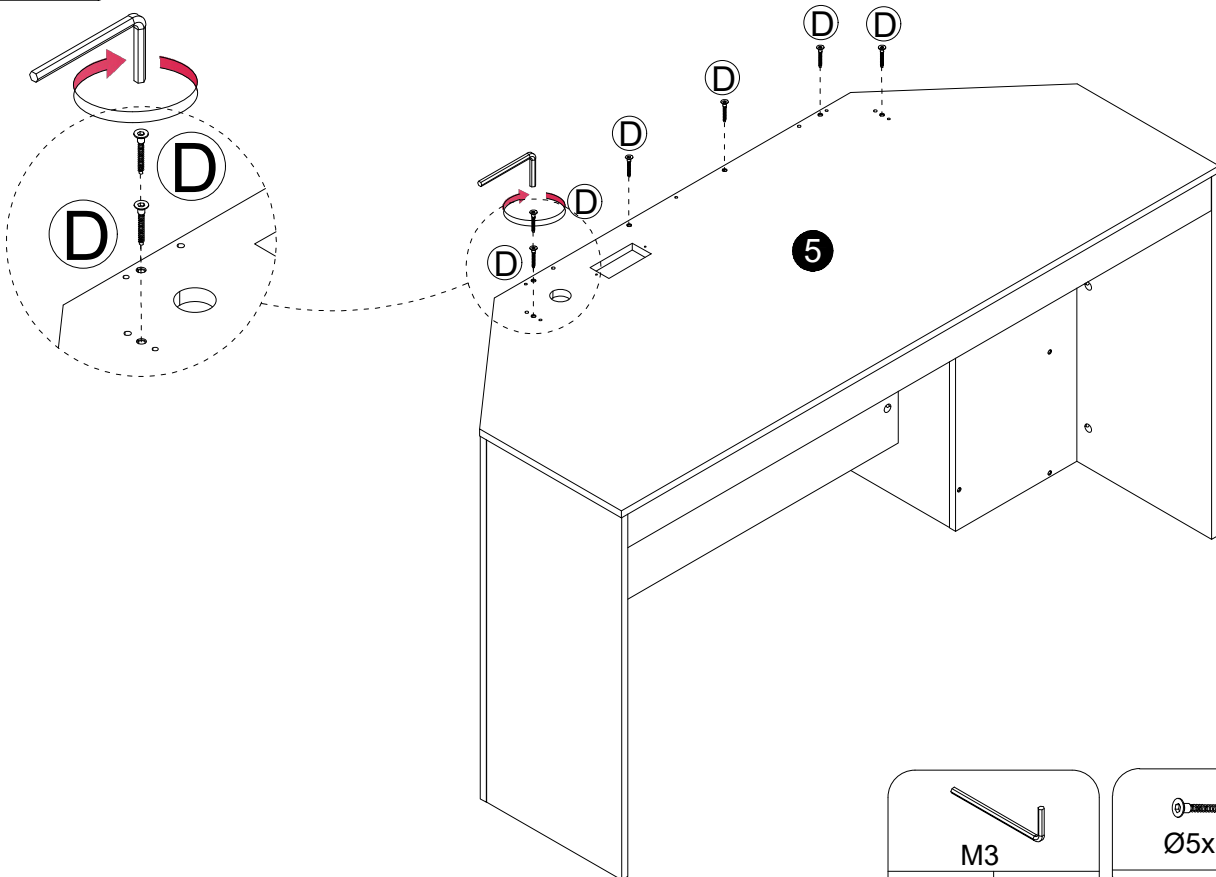


# INSTALLATION INSTRUCTION

## STEP 25

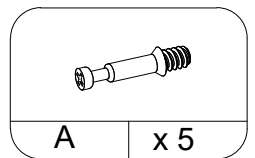
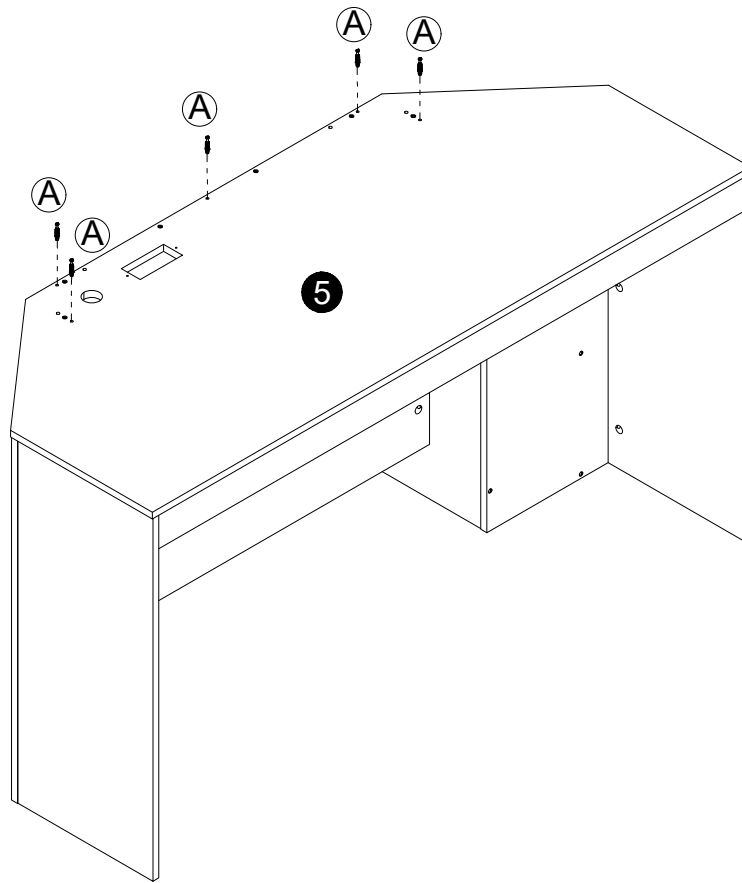


## STEP 26

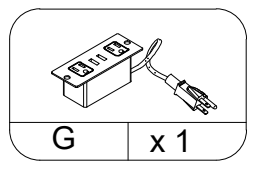
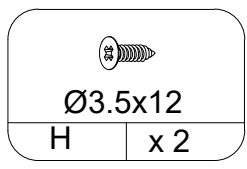
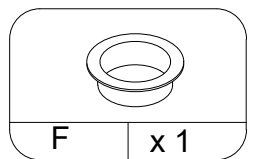
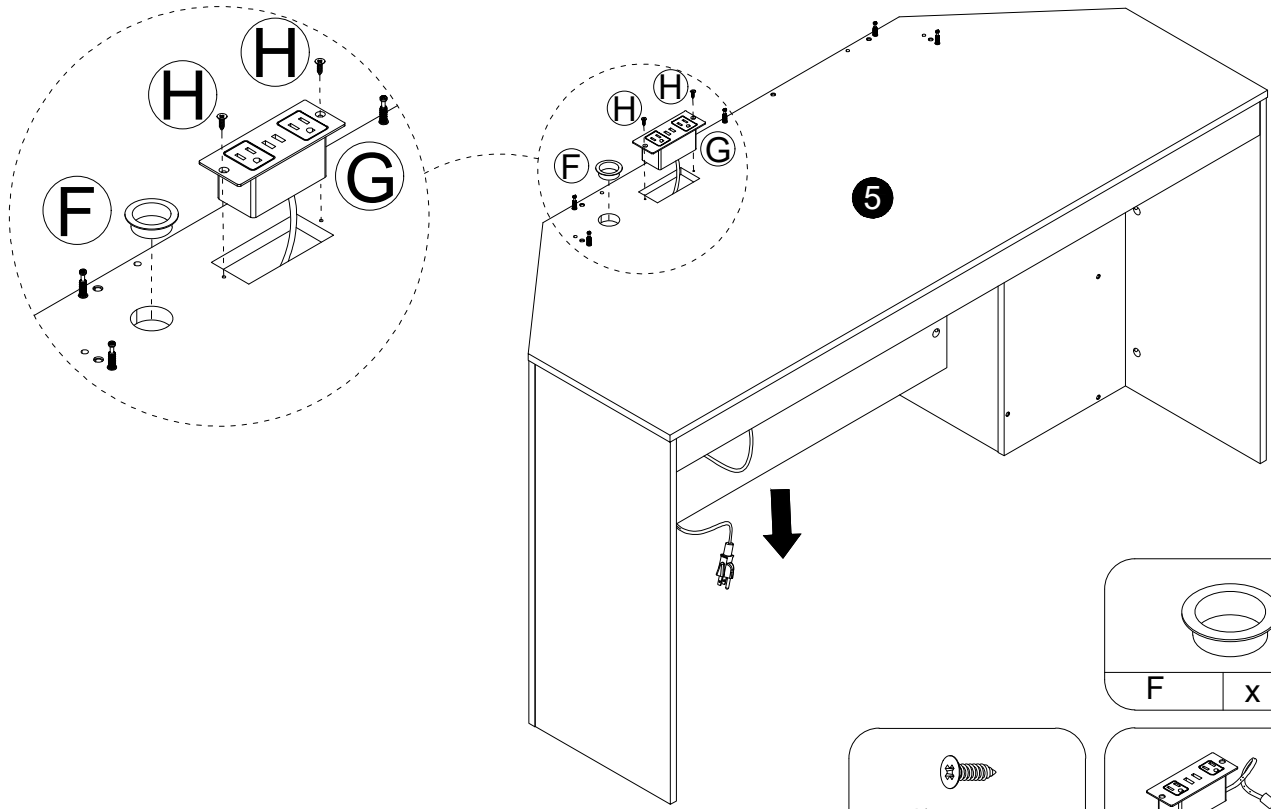


# INSTALLATION INSTRUCTION

## STEP27

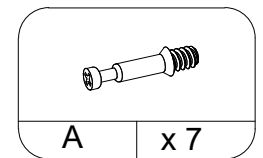
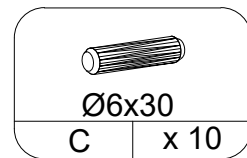
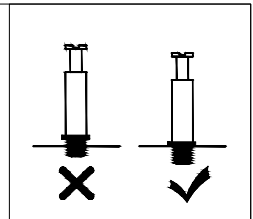
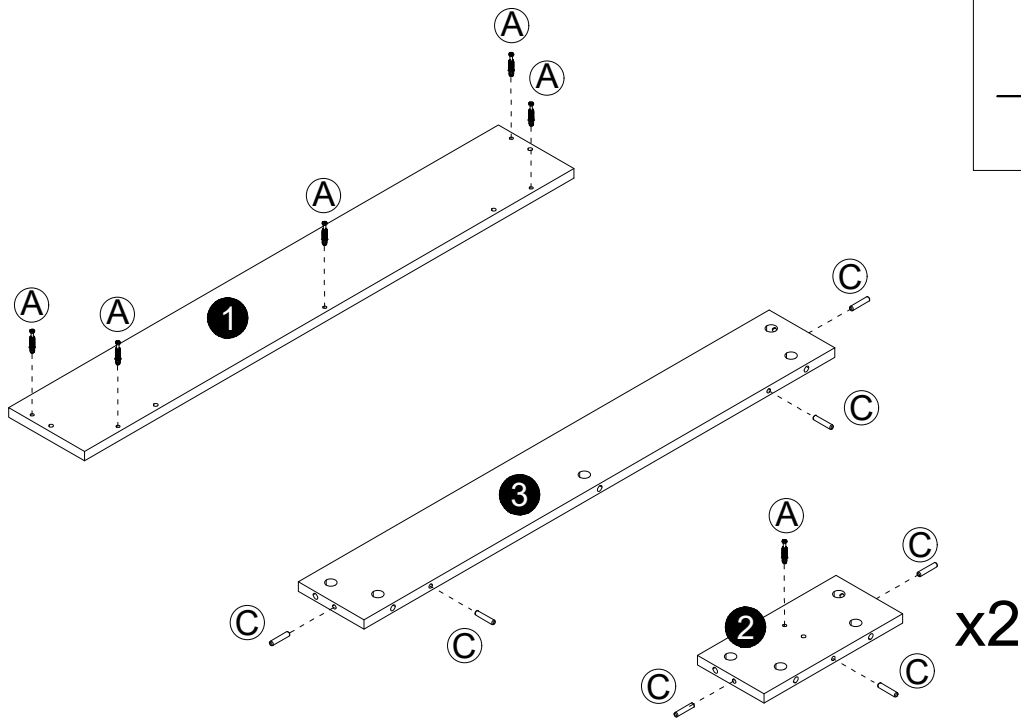


## STEP28

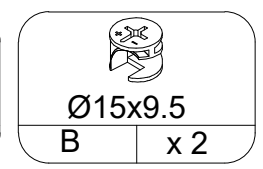
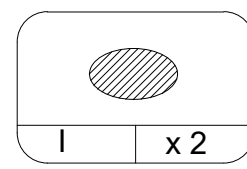
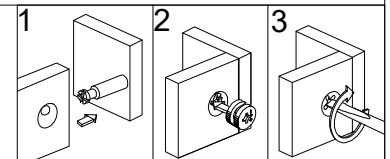
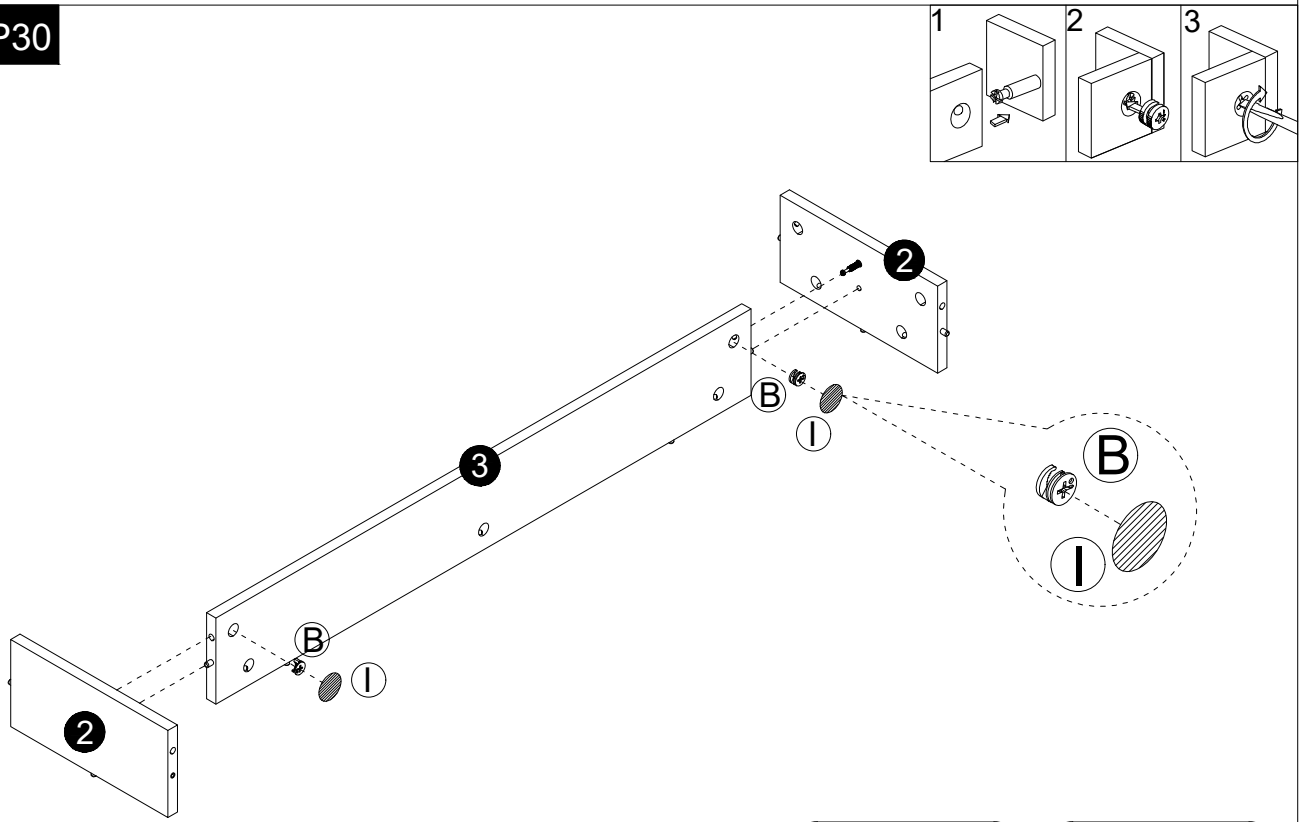


# INSTALLATION INSTRUCTION

## STEP 29

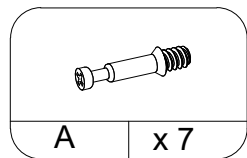
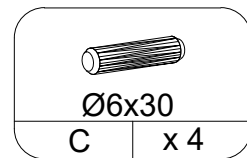
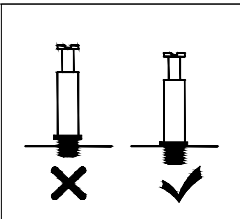
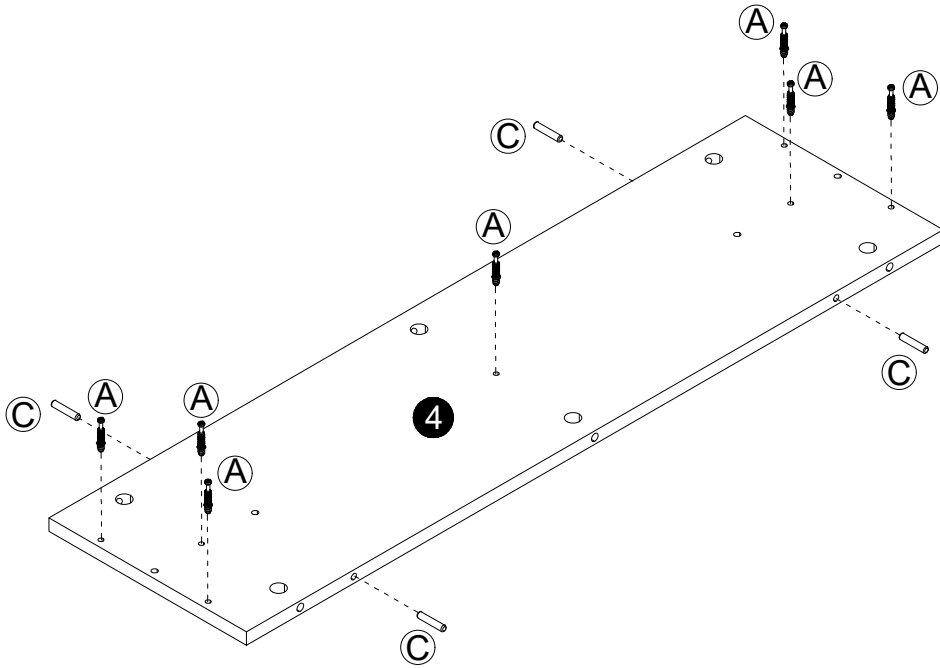


## STEP 30

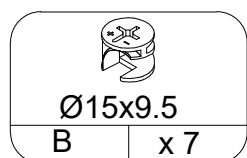
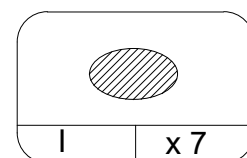
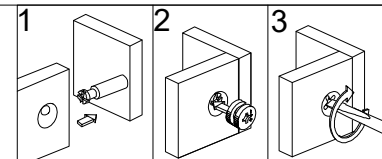
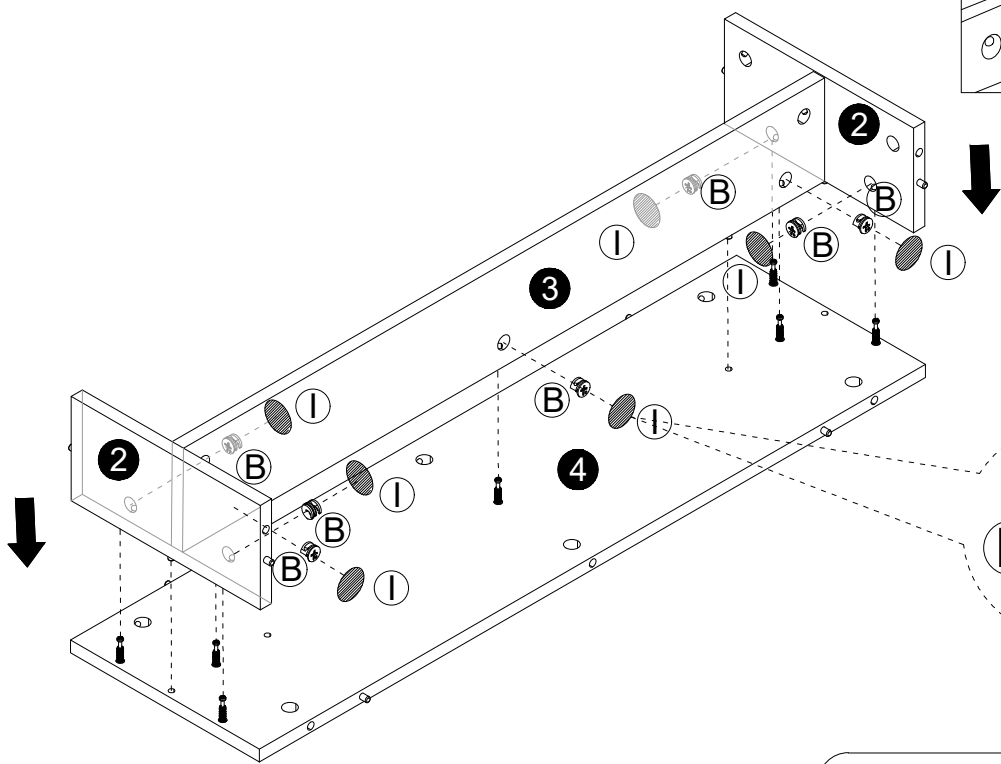


# INSTALLATION INSTRUCTION

## STEP31



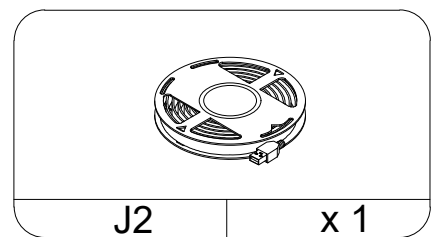
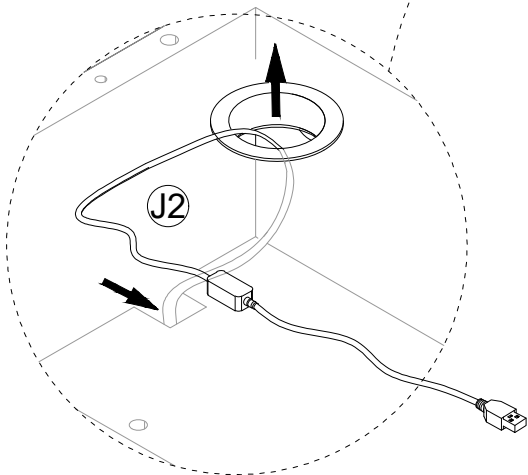
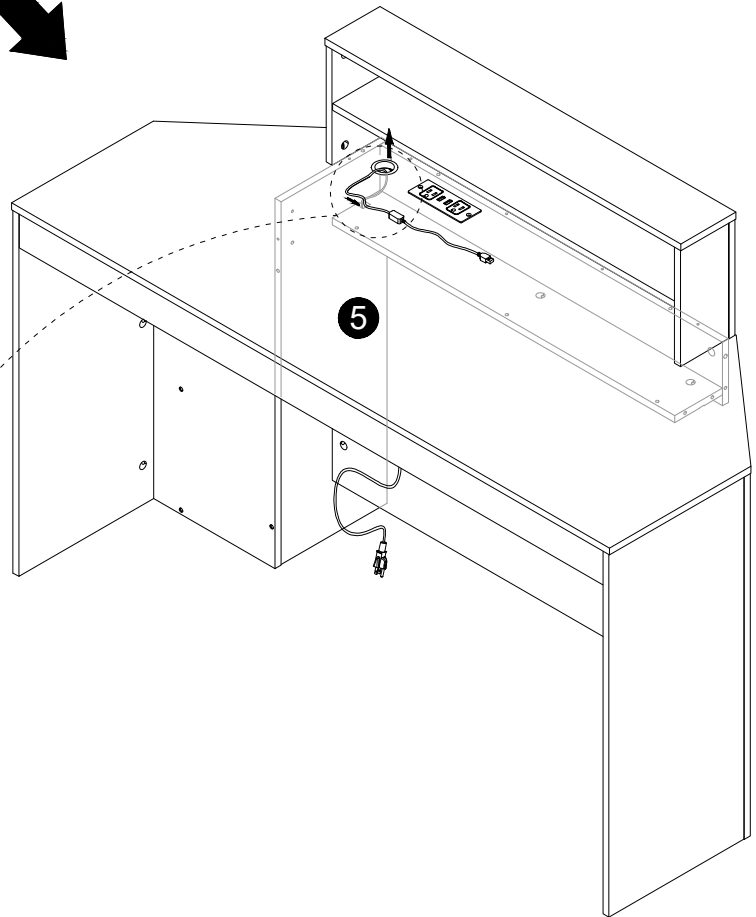
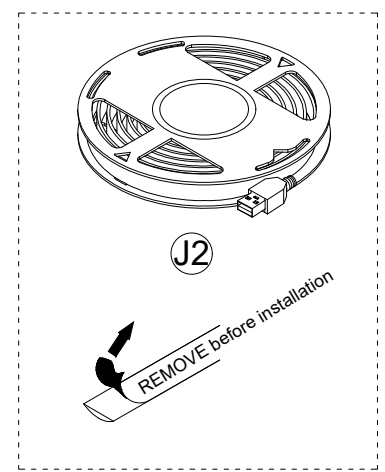
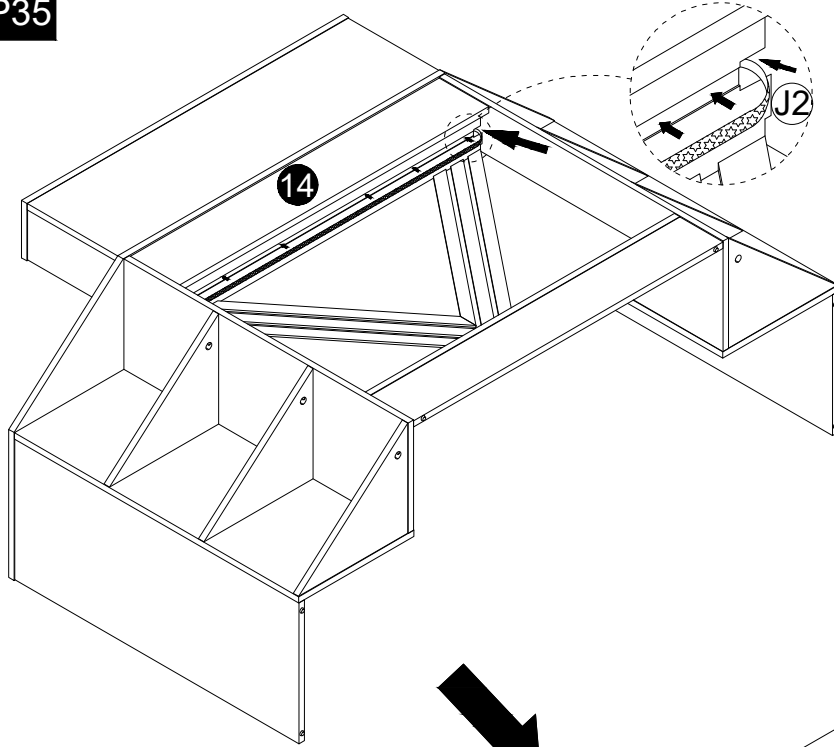
## STEP32





# INSTALLATION INSTRUCTION

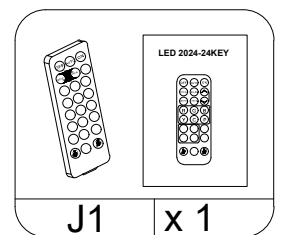
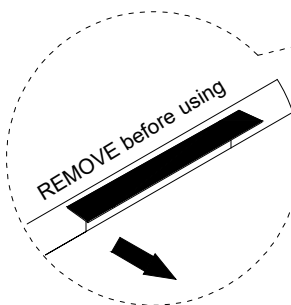
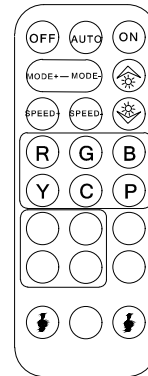
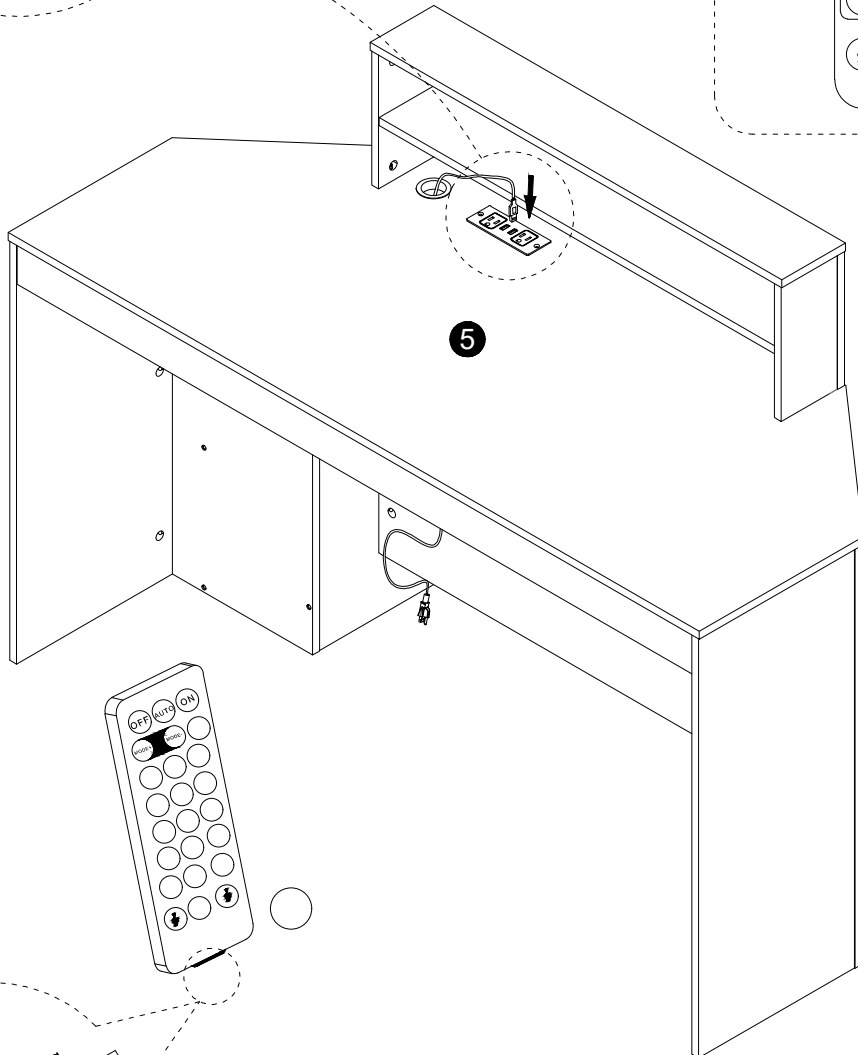
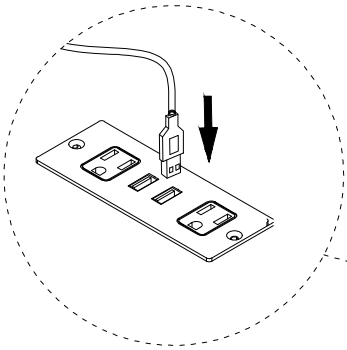
## STEP 35



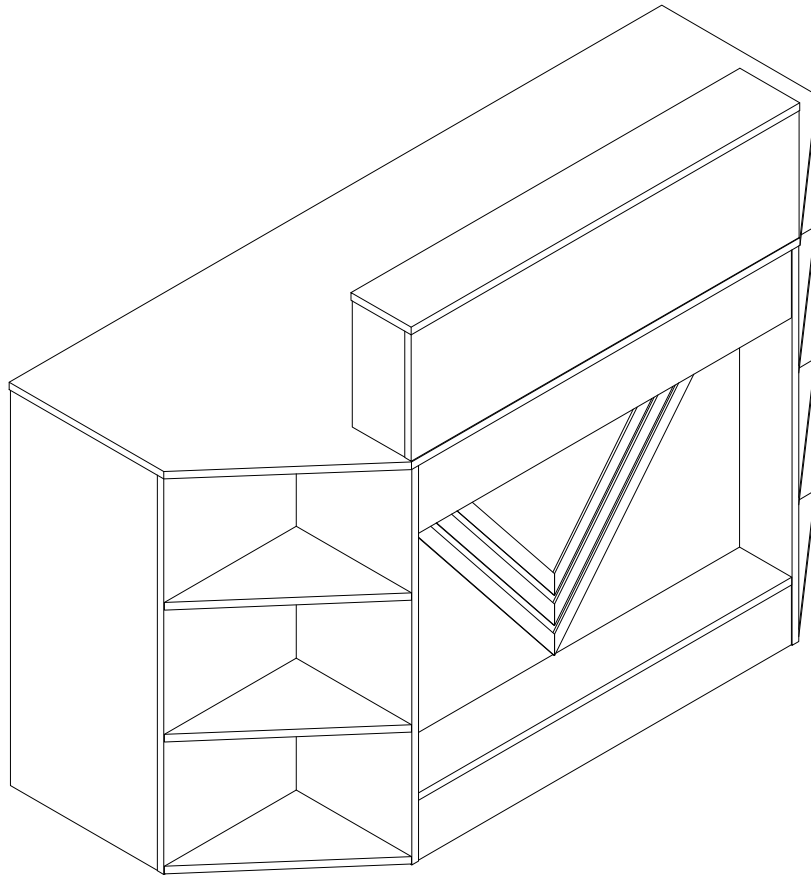
# INSTALLATION INSTRUCTION

## STEP 36

Browse the bottom page of the LED instructions and scan the QR code with your phone. This way you can download and install the APP. You can control the switch of the light belt with your phone



## INSTALLATION INSTRUCTION



## GUARANTEE

Reception Desk offers a 90-days warranty that begins on the date of the original purchase and applies to problems caused by the manufacturer. For questions, assistance, or support, please contact the Customer Service by e-mail with your order number and details. We will send you further information about the solution.

## ⚠ WARNING

- **INGESTION HAZARD:** This product contains a button cell or coin battery.
- **DEATH** or serious injury can occur if ingested.
- A swallowed button cell or coin battery can cause **Internal Chemical Burns** in as little as **2 hours**.
- **KEEP** new and used batteries **OUT OF REACH** of **CHILDREN**
- **Seek immediate medical attention** if a battery is suspected to be swallowed or inserted inside any part of the body.



**Model: QT-001**

Made in VIETNAM

