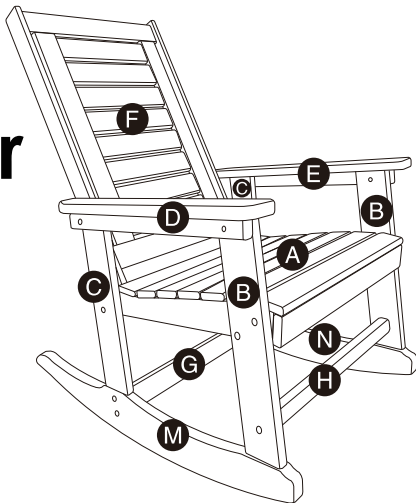


Outdoor Rocking Chair



Subscribe Us

<p>A Seat Slats 1 PC</p>	<p>B Front Legs 2 PCS</p>	<p>C Rear Legs 2 PCS</p>	<p>D Right Arm 1 PC</p>	<p>E Left Arm 1 PC</p>
--	---	--	---	--

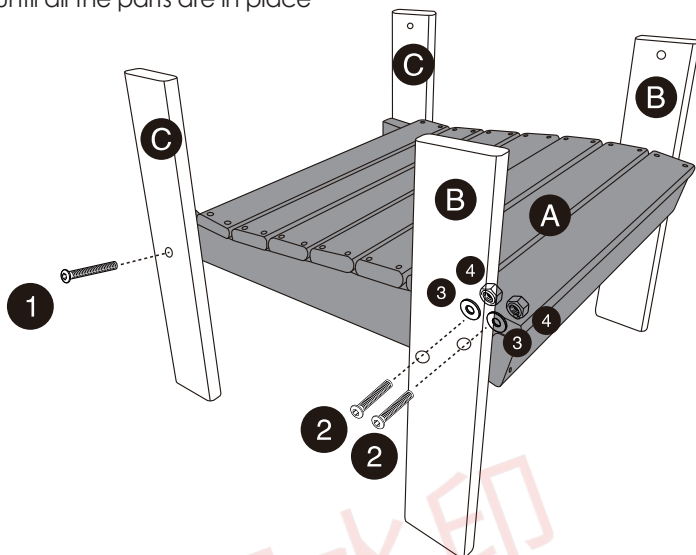
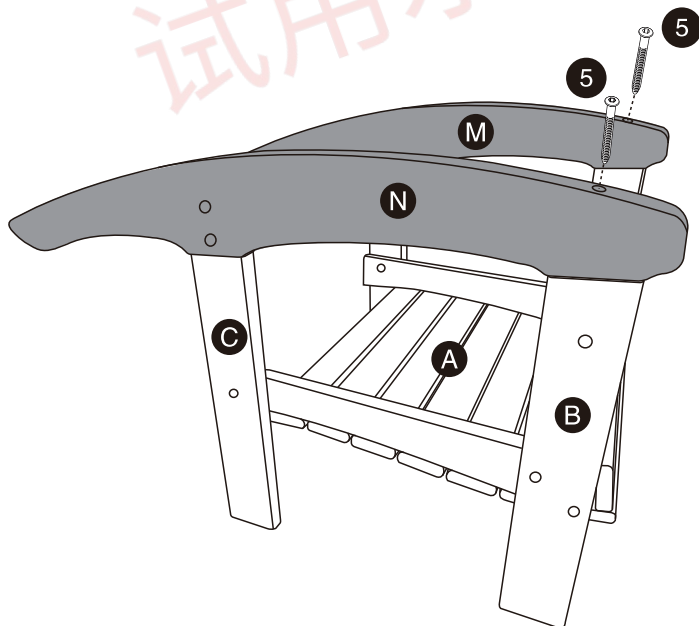
<p>F Back Slats 1 PC</p>	<p>G Rear Rail 1 PC</p>	<p>H Front Rail 1 PC</p>	<p>M Right Rocking Leg 1 PC</p>	<p>N Left Rocking Leg 1 PC</p>
--	---	--	---	--

<p>1 M6 x 80MM Bolts 4 PCS</p>	<p>2 M6 x 60MM Bolts 8 PCS</p>	<p>3 Washers 12 PCS</p>	<p>4 Nuts 12 PCS</p>	<p>5 M6 x 100MM Screws 2 PCS</p>
--	--	---	--	--

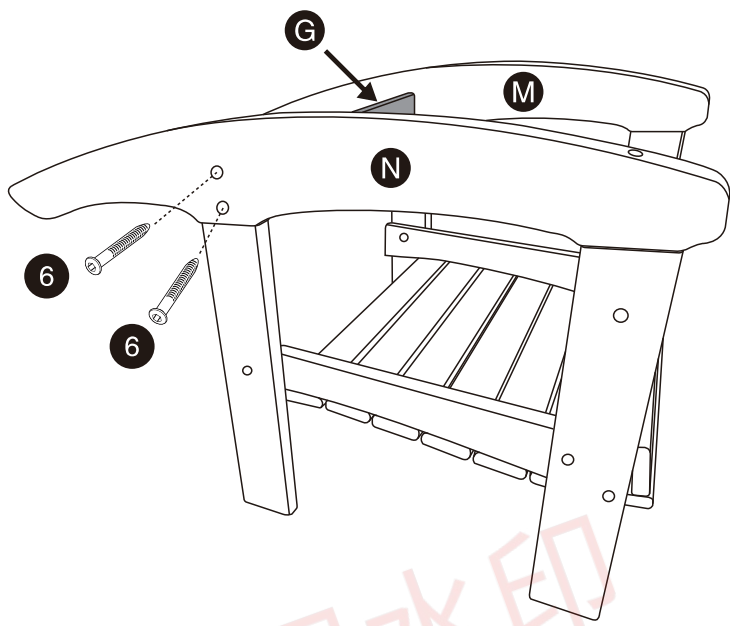
<p>6 M6 x 60MM Screws 6 PCS</p>	<p>7 Wrench 1 PC</p>	<p>8 Screwdriver 1 PC</p>
---	--	---

1

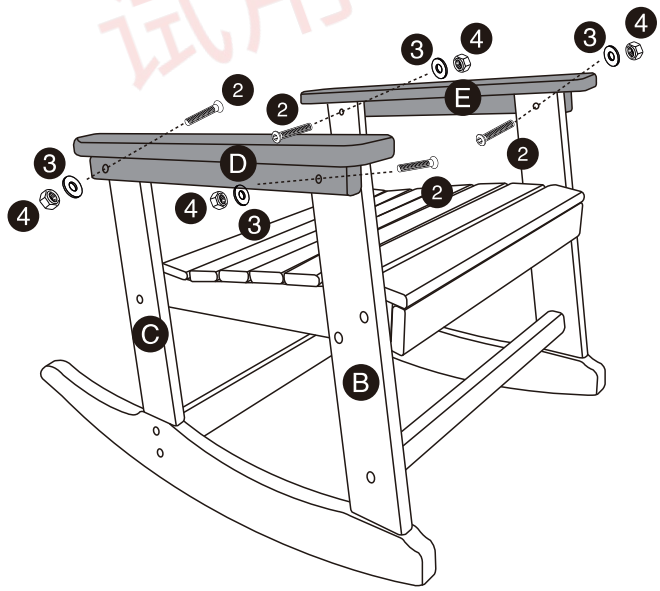
Note: Remember not to crank those screws too hard until all the parts are in place

**2**

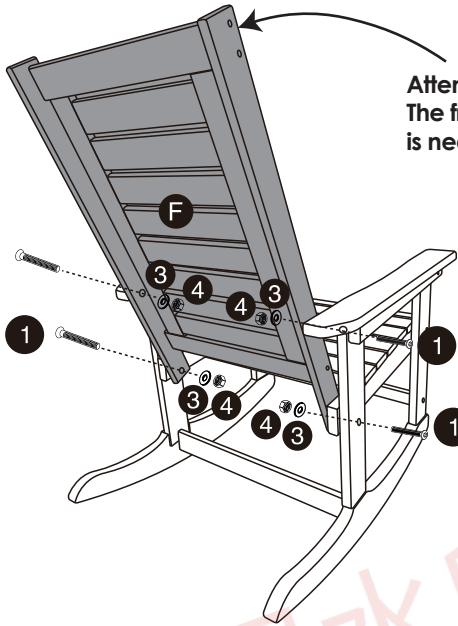
3



4



5



Attention!
The front side of the backrest
is near those screw holes!

6

