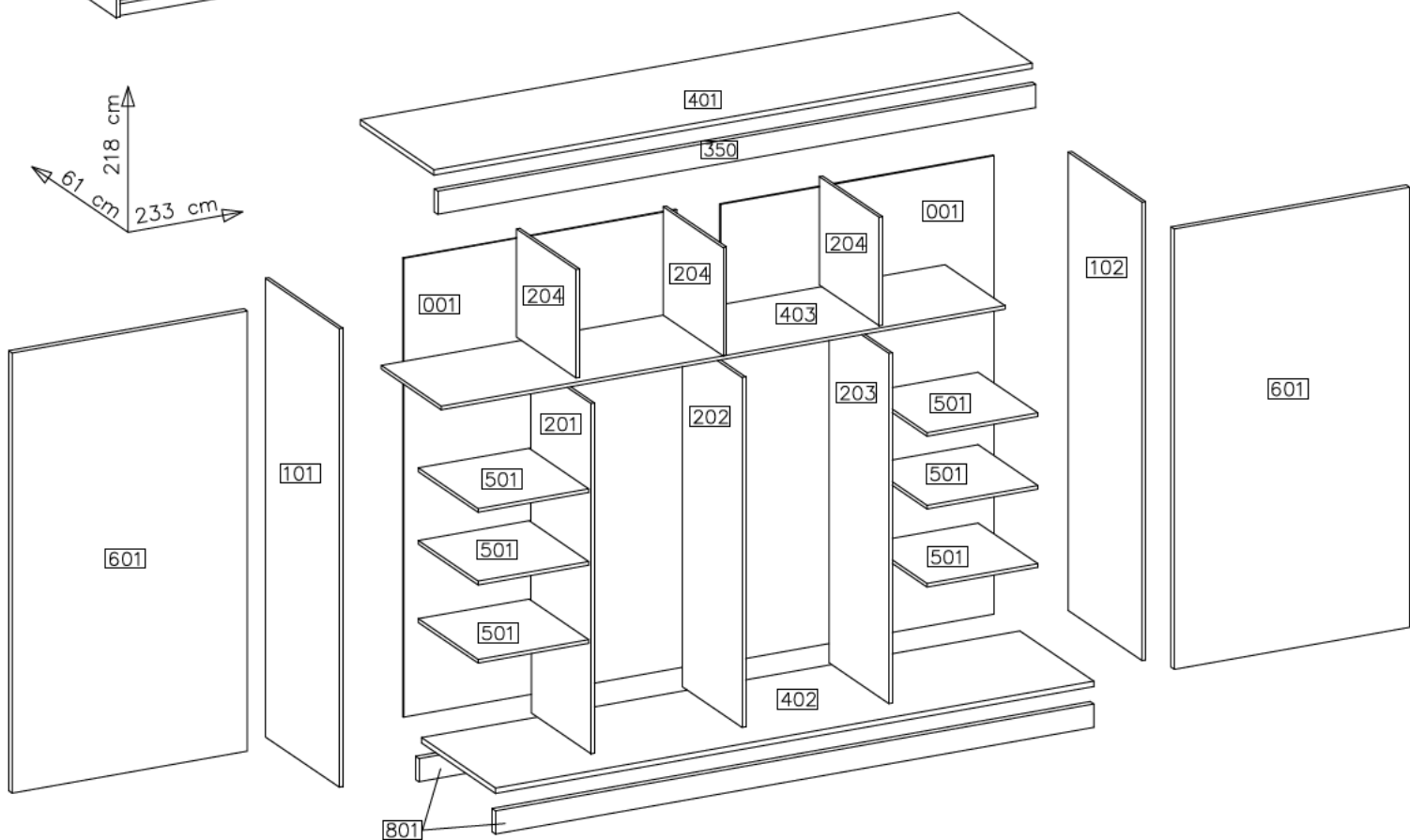
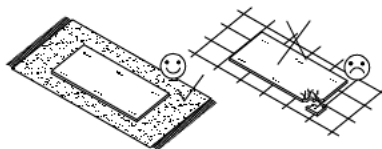
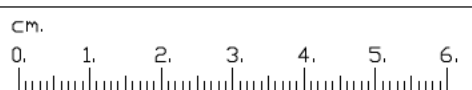








| #  | ART. NR | QUANTITY |
|----|---------|----------|
| 1  | 401     | 1        |
| 2  | 402     | 1        |
| 3  | 403     | 1        |
| 4  | 101     | 1        |
| 5  | 102     | 1        |
| 6  | 201     | 1        |
| 7  | 202     | 1        |
| 8  | 203     | 1        |
| 9  | 204     | 3        |
| 10 | 001     | 2        |
| 11 | 801     | 2        |
| 12 | 501     | 6        |
| 13 | 601     | 2        |
| 14 | 350     | 1        |
|    |         |          |
|    |         |          |
|    |         |          |

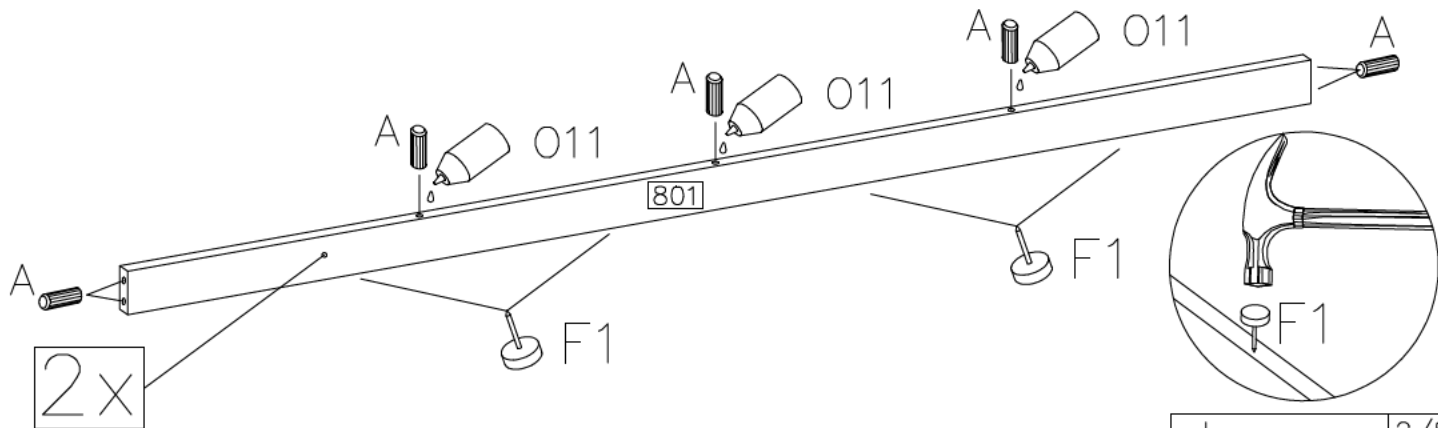
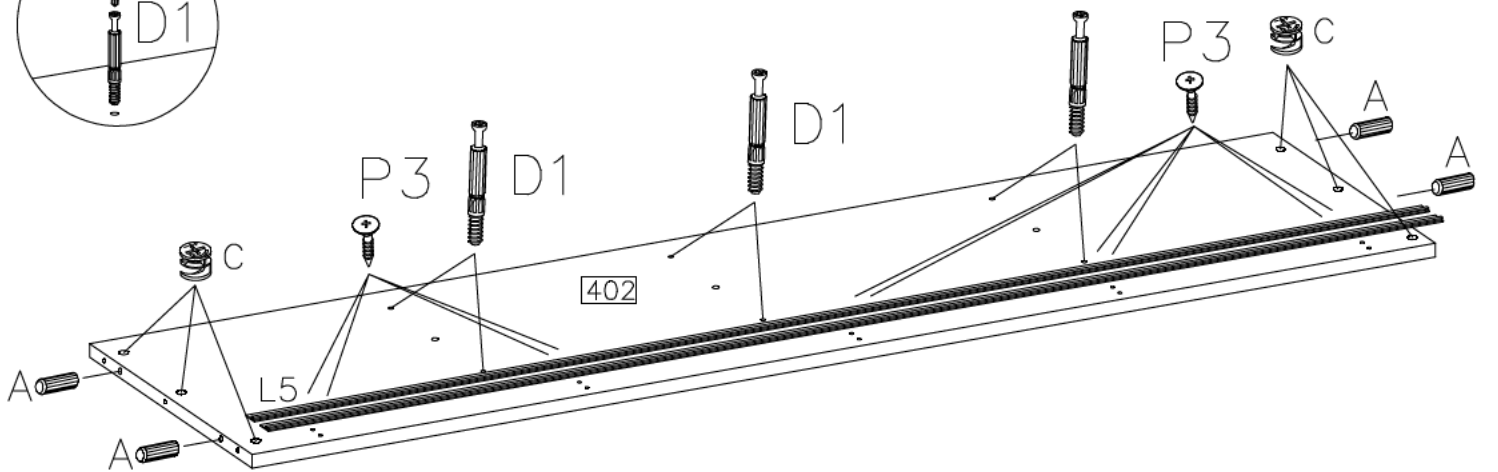
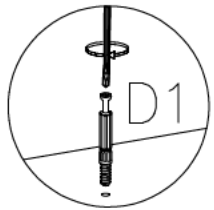
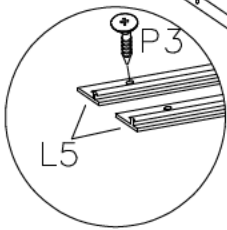
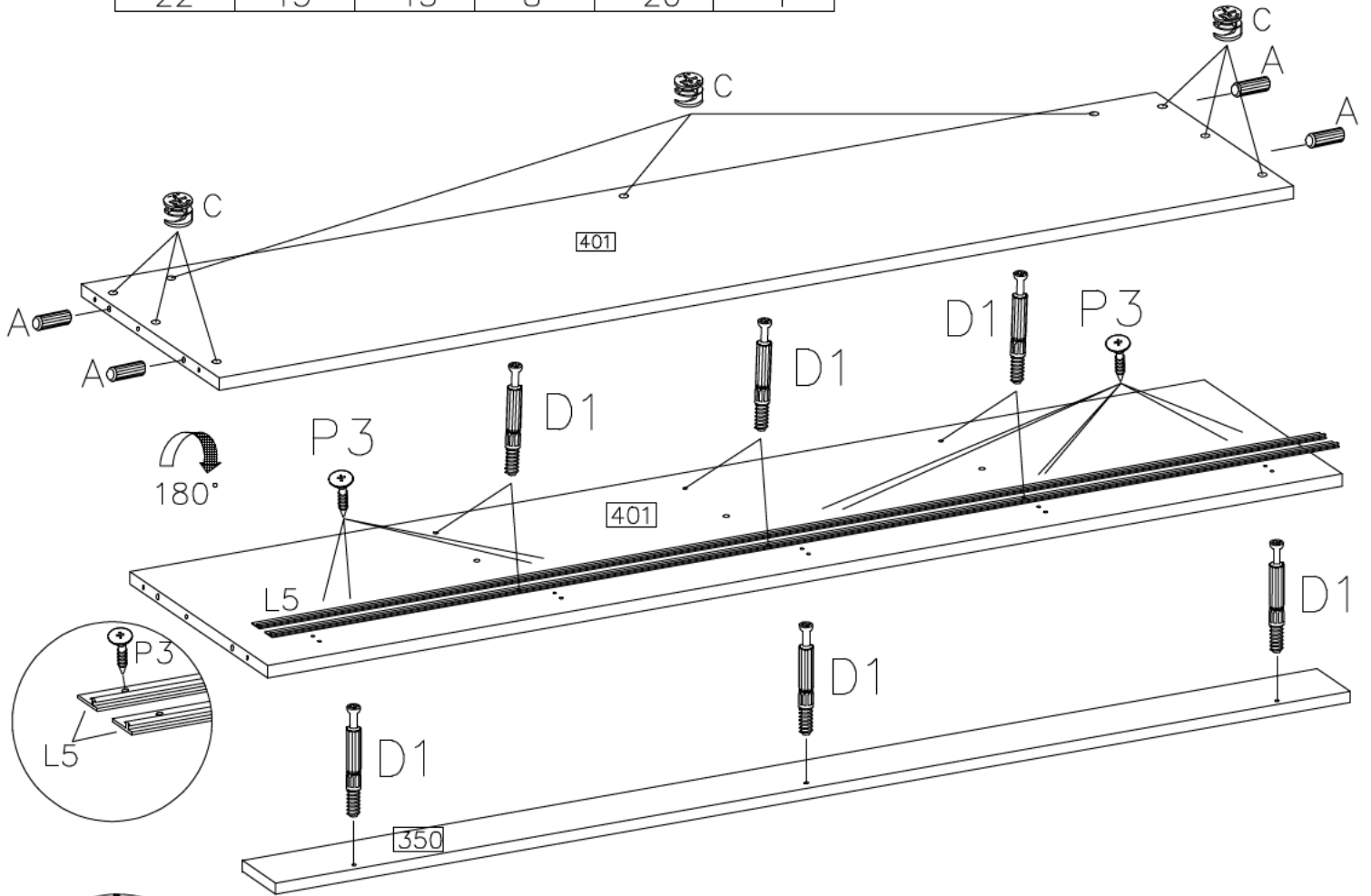


|           |          |          |          |          |          |          |          |         |         |
|-----------|----------|----------|----------|----------|----------|----------|----------|---------|---------|
| D1<br>45  | C<br>45  | E<br>45  | A<br>36  | P1<br>28 | S1<br>4  | O12<br>2 | L5<br>4  | K5<br>4 | K6<br>4 |
| F10<br>60 | F1<br>12 | F8<br>10 | O13<br>4 | J4<br>24 | P3<br>20 | P2<br>16 | O11<br>1 |         |         |

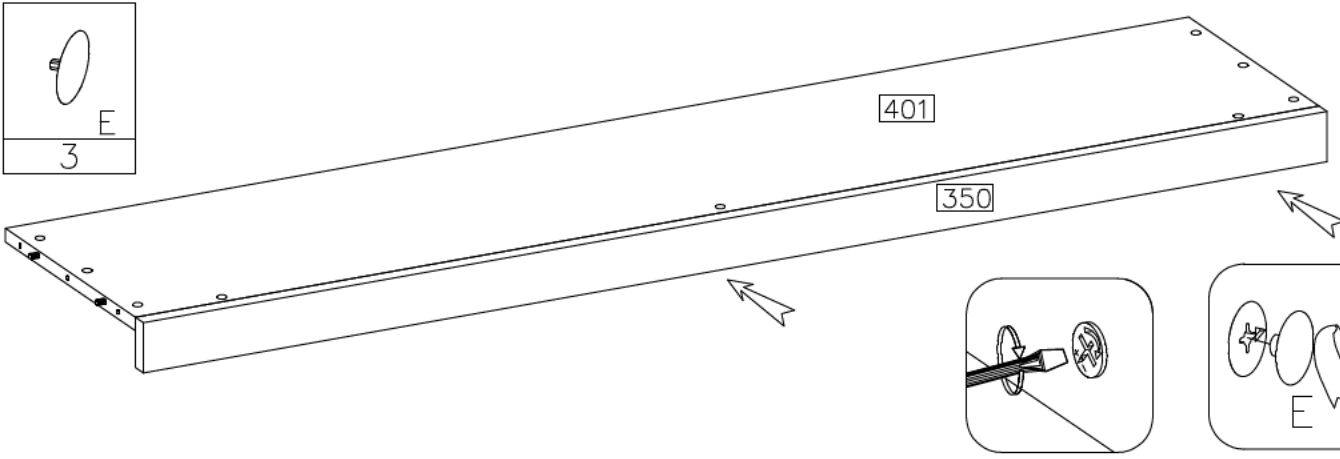
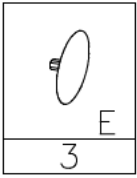


1

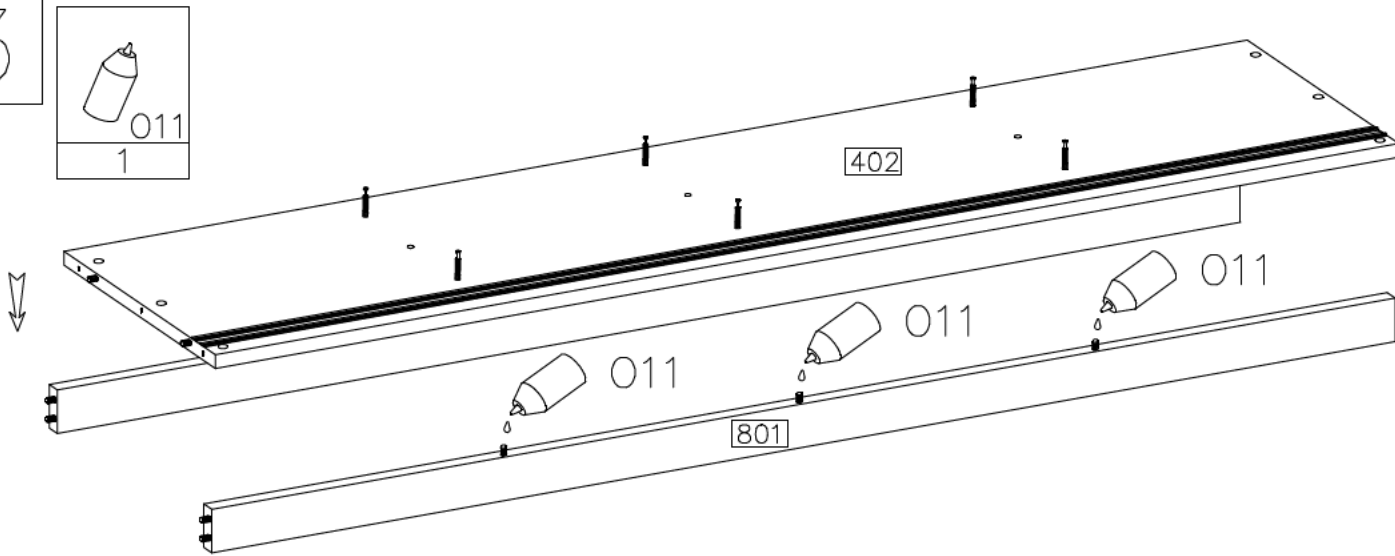
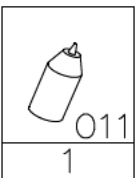
|  |  |  |  |   |  |
|--|--|--|--|---|--|
| ∅8x30mm  | ∅15/12mm   |  |  |   |  |
|  |  |  |  |  |  |
| A  | C  | D1   | F1   | P3  | L5   |
| 22   | 15   | 15   | 8  | 20  | 4  |



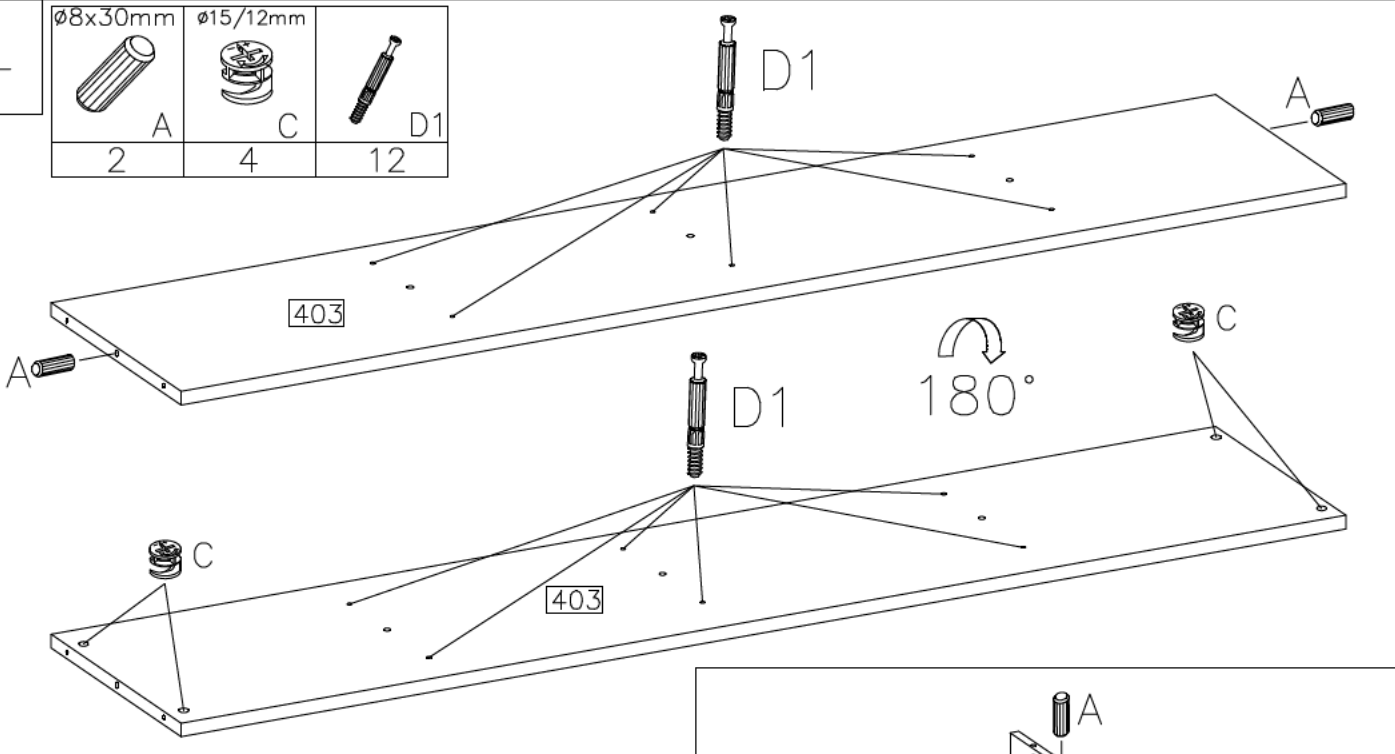
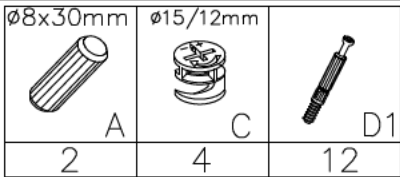
2



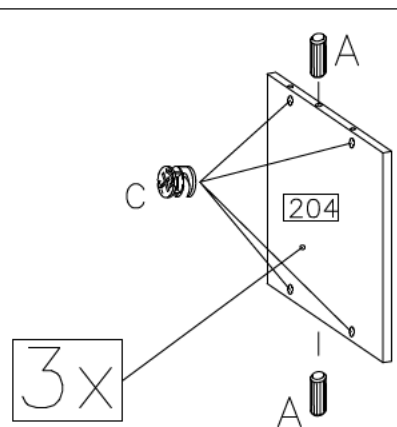
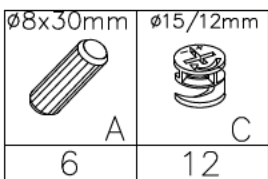
3








4

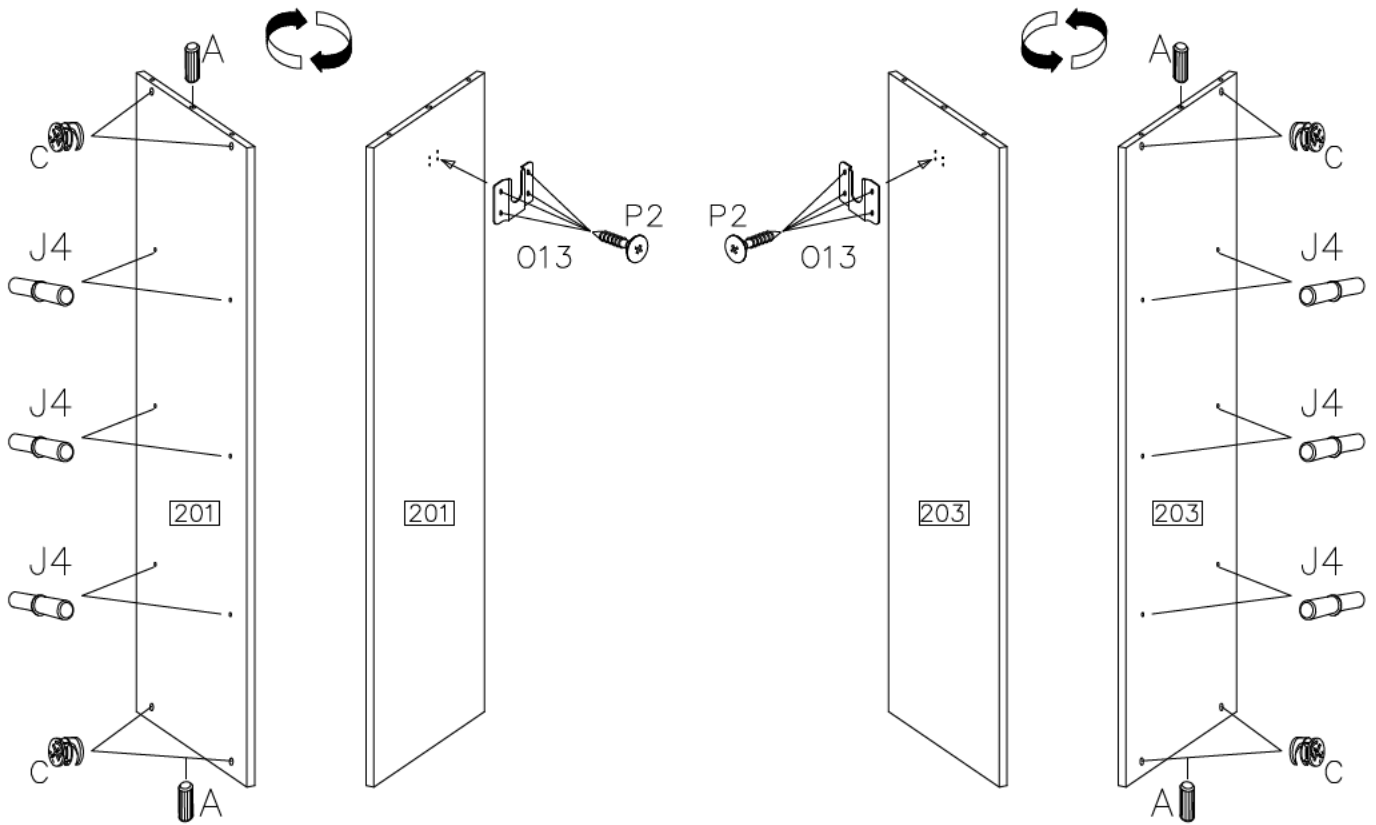


5









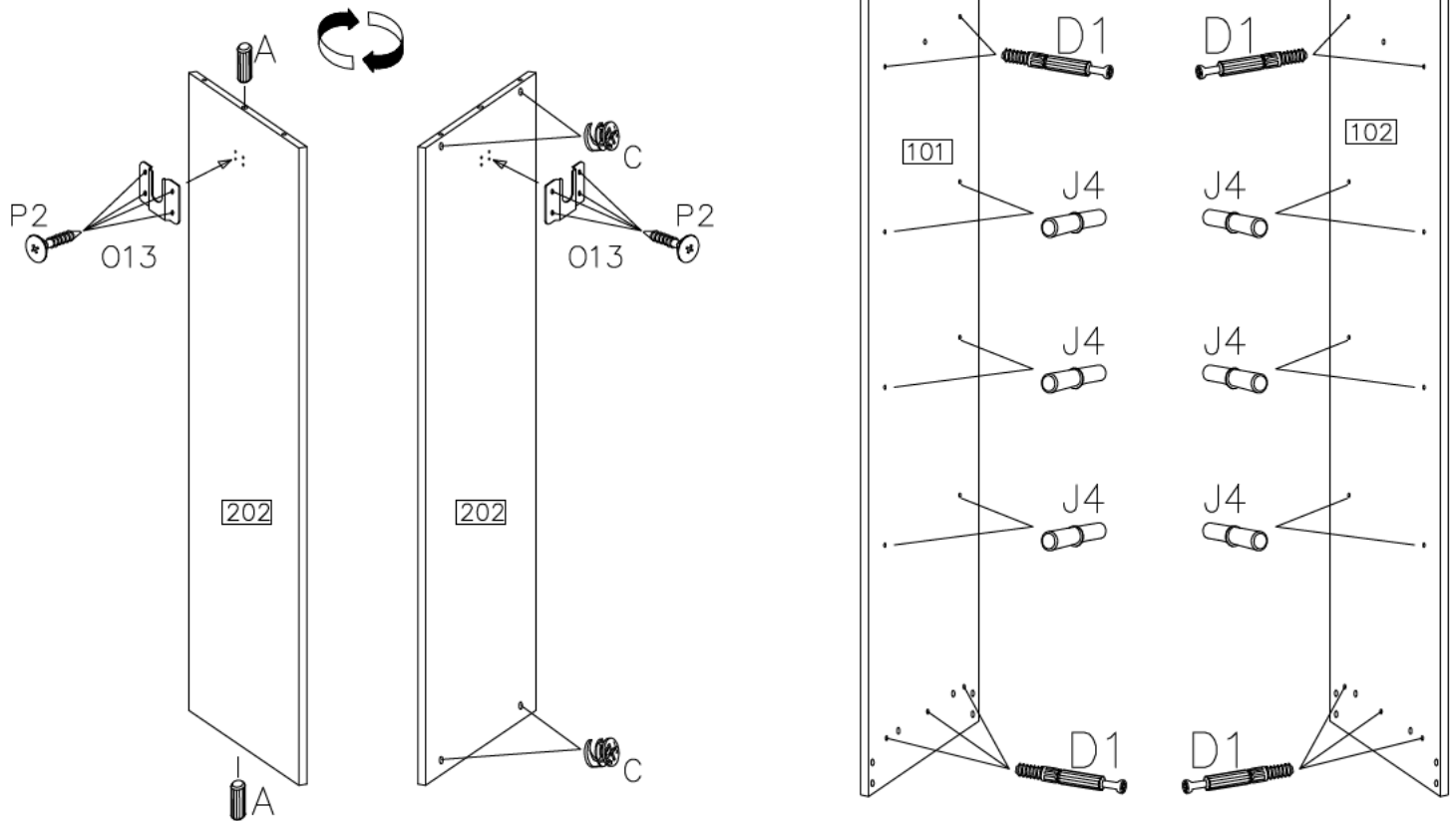
6

|  |  |  |  |  |
|--|--|--|--|--|
| $\varnothing 15/12\text{mm}$<br> |  |  | $\varnothing 8 \times 30\text{mm}$<br> | $3.5 \times 13\text{mm}$<br> |
| C  | J4   | O13  | A  | P2   |
| 8  | 12   | 2  | 4  | 8  |

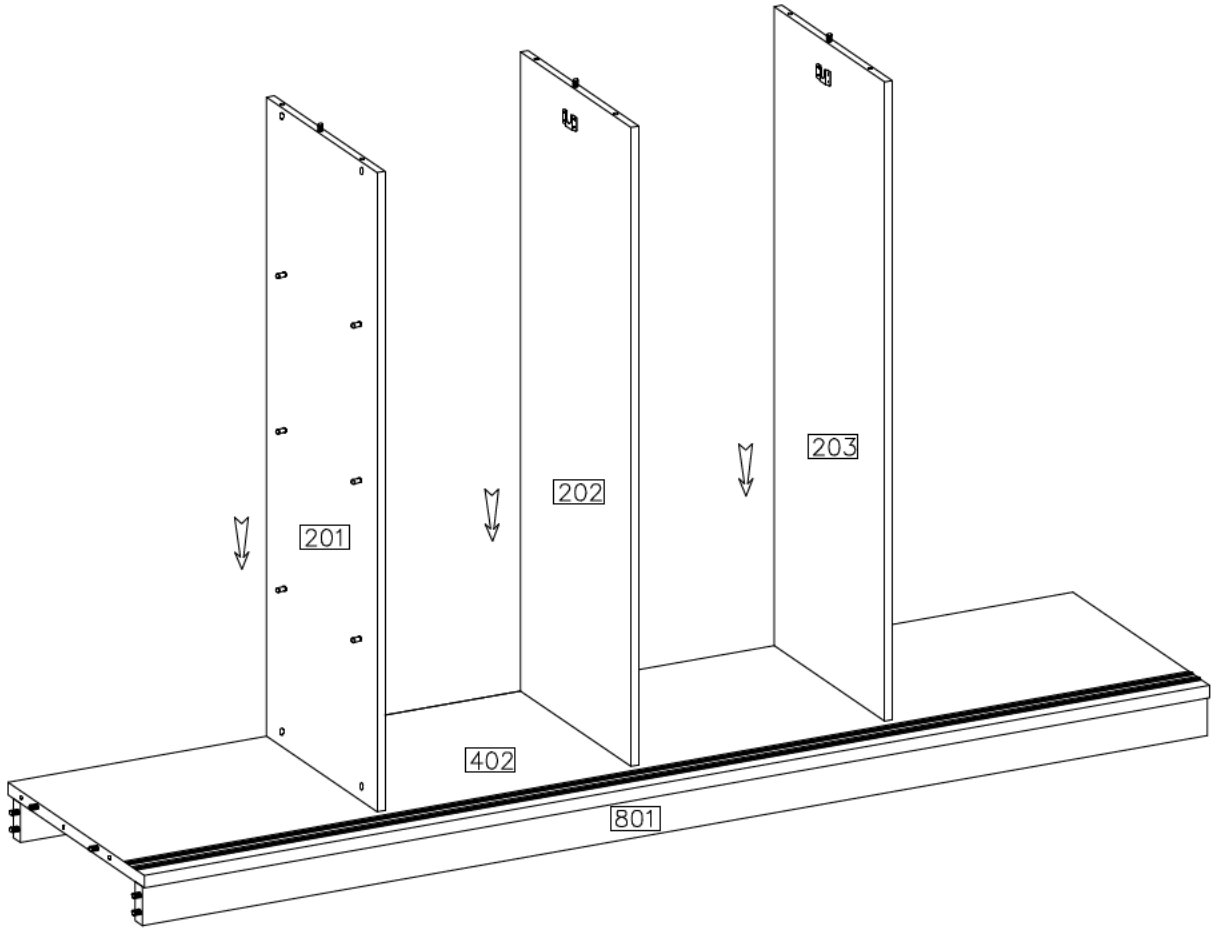
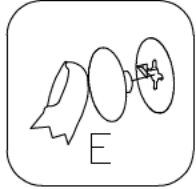
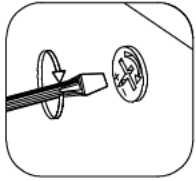
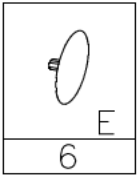


7

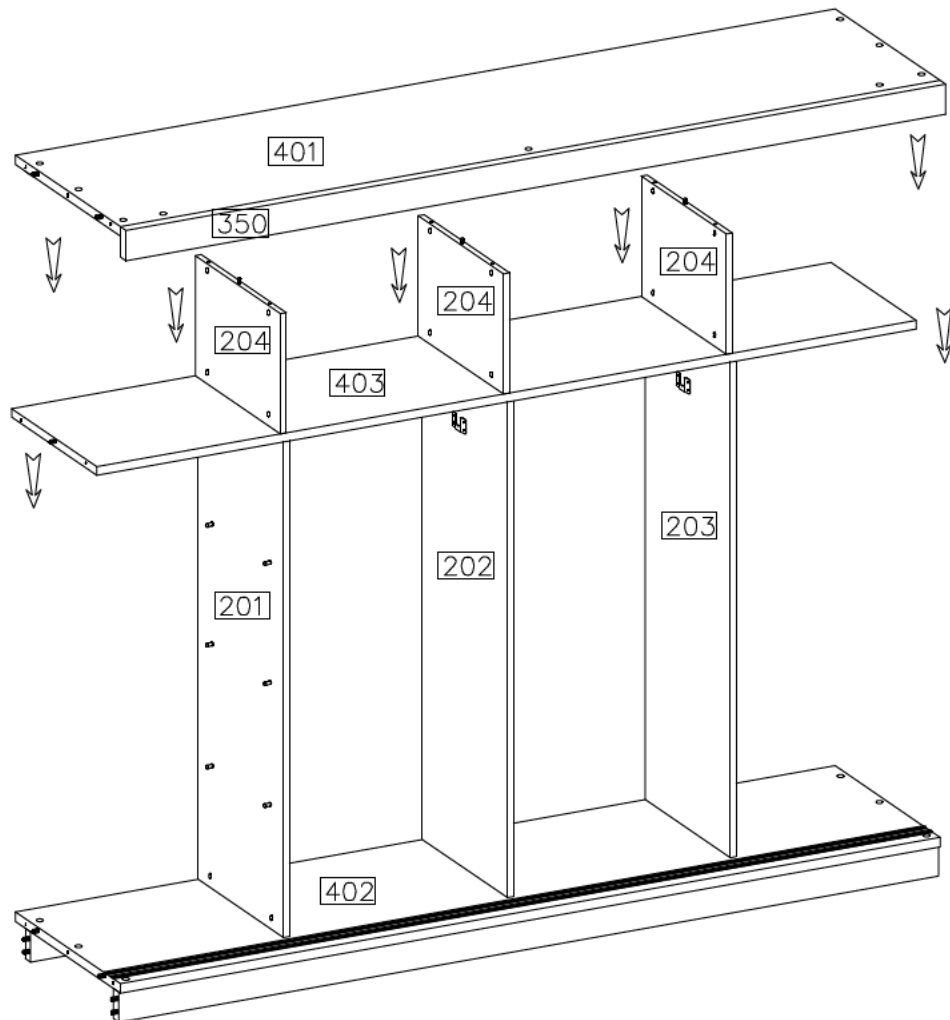
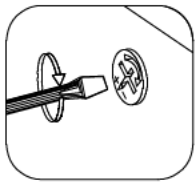
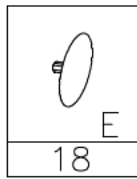
|   |   |   |   |   |   |
|---|---|---|---|---|---|
|  |  |  | $3.5 \times 13\text{mm}$<br> | $\varnothing 8 \times 30\text{mm}$<br> | $\varnothing 15/12\text{mm}$<br> |
| J4  | D1  | O13   | P2  | A   | C   |
| 12  | 16  | 2   | 8   | 2   | 4   |



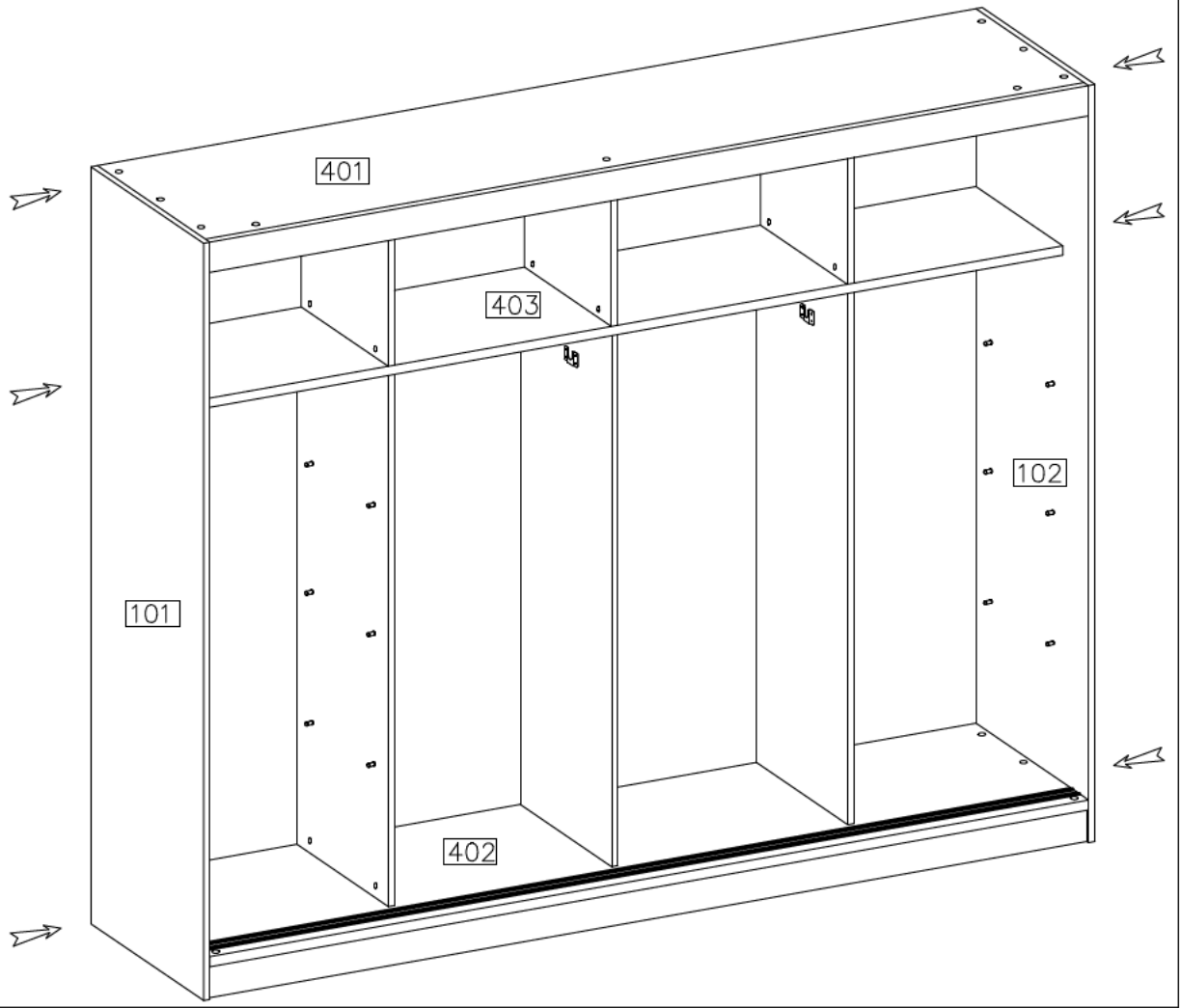
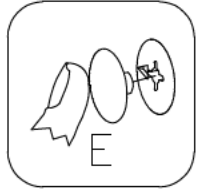
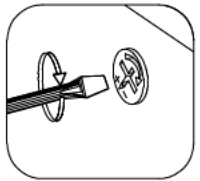
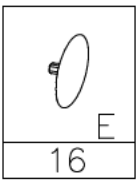
8



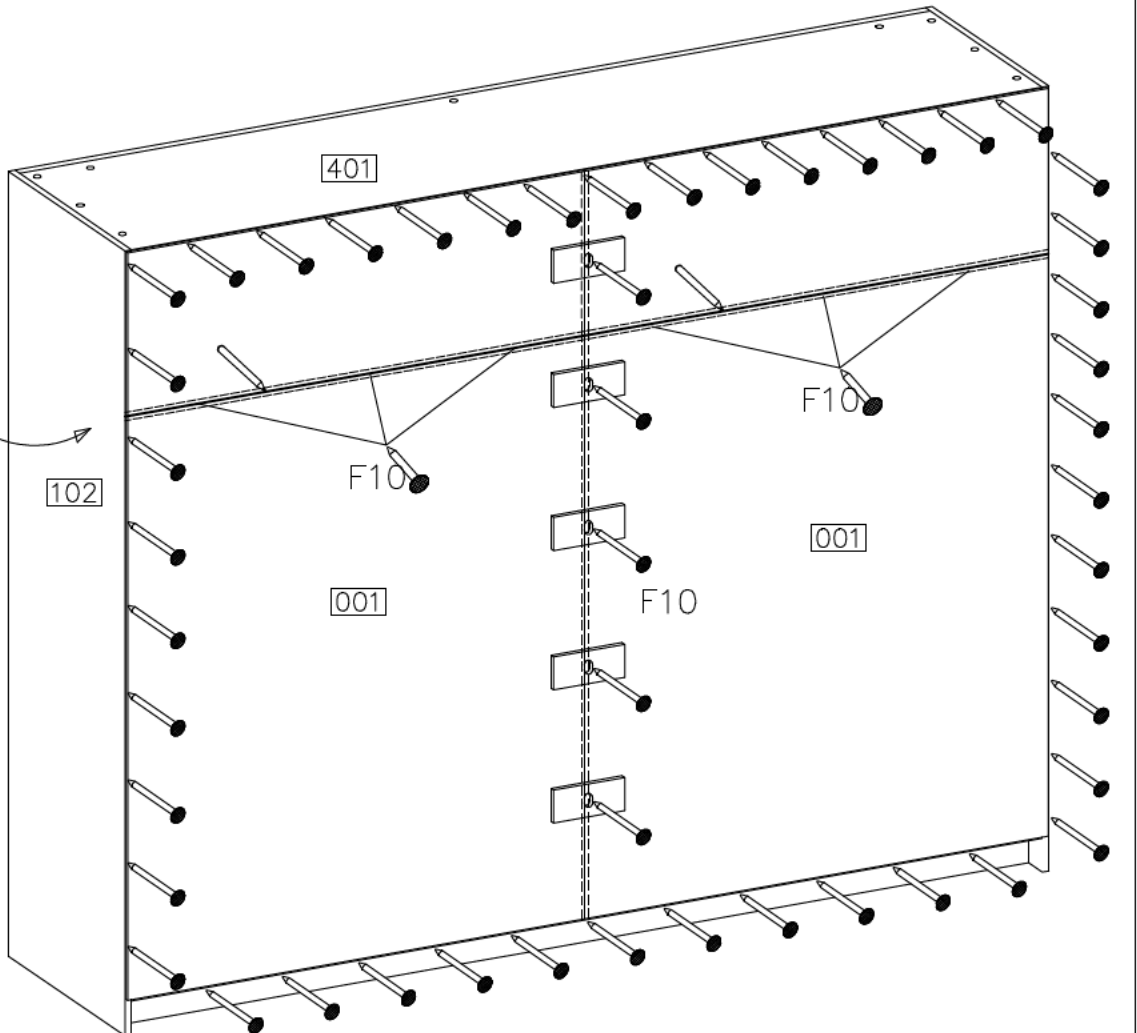
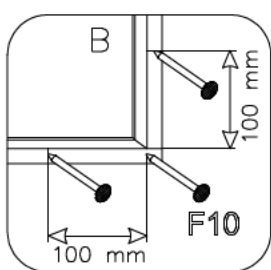
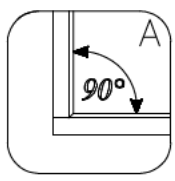
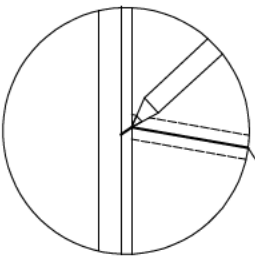
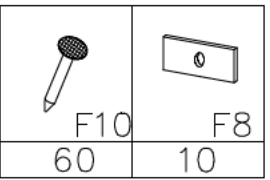
9



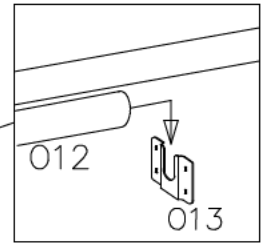
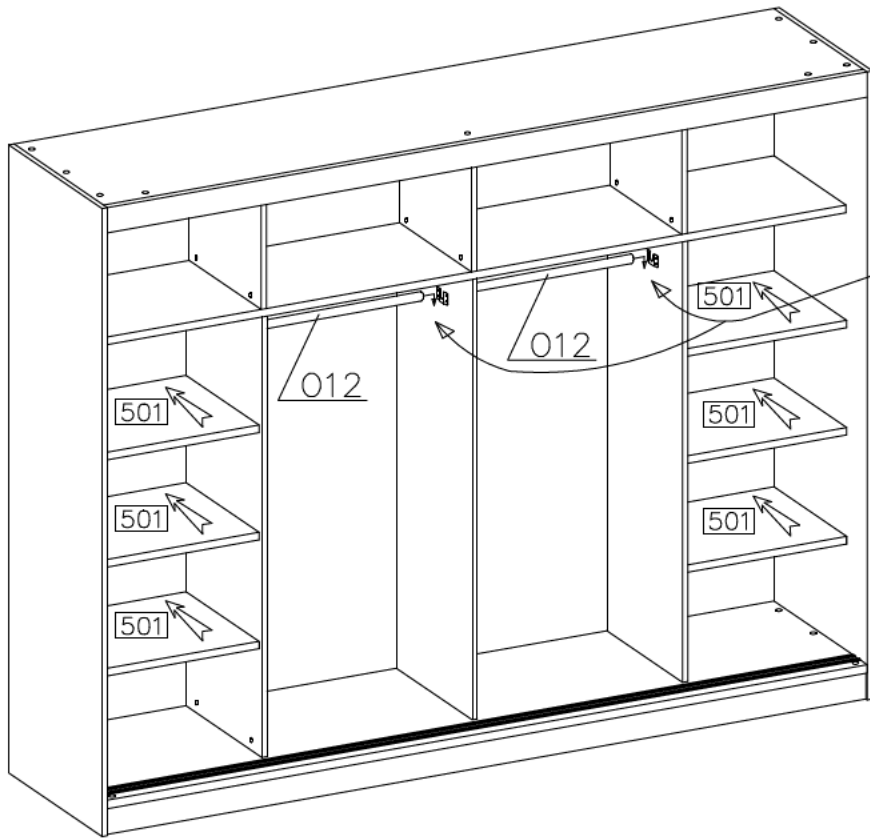
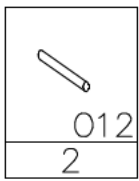
10






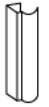
11

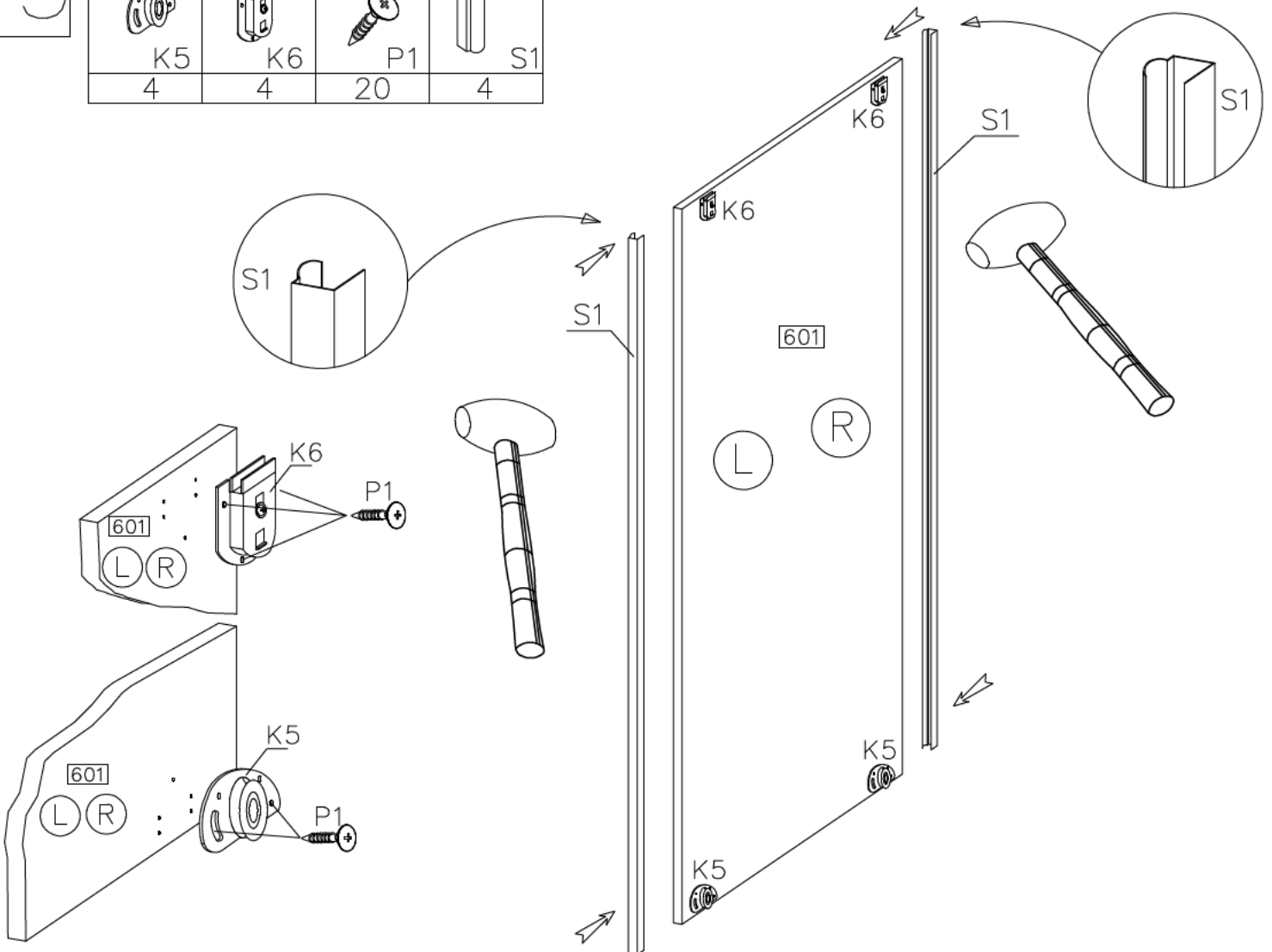


12

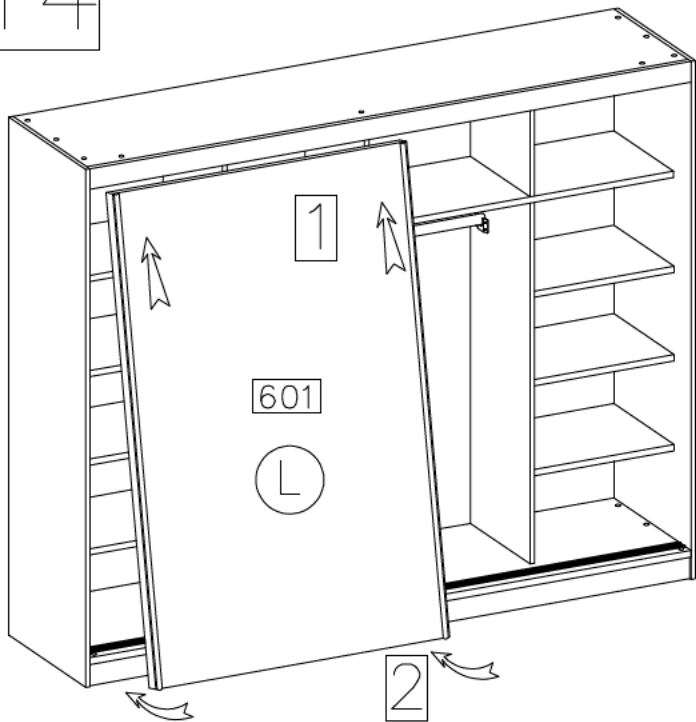


13

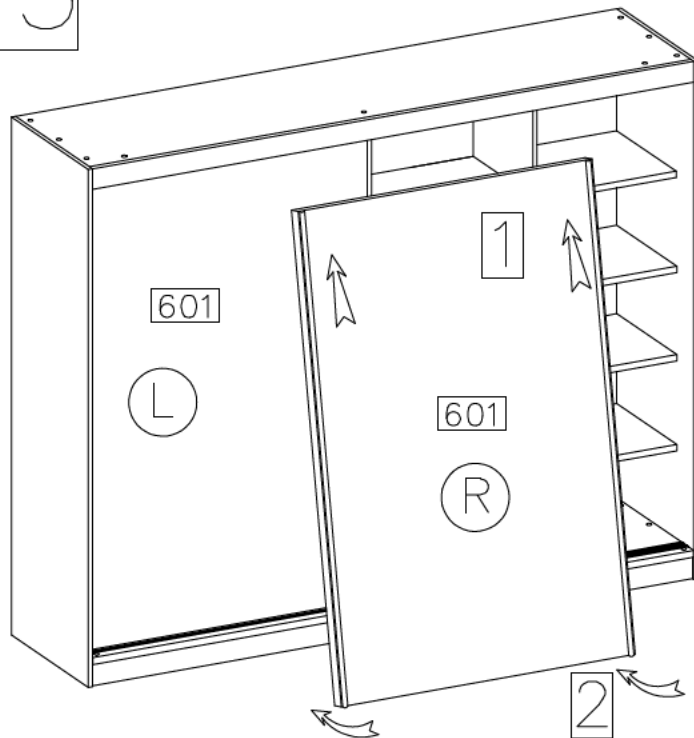
|  |  |  |  |
|--|--|--|--|
|  |  |  |  |
| K5   | K6   | ∅4.0x16mm<br>P1  | S1   |
| 4  | 4  | 20   | 4  |



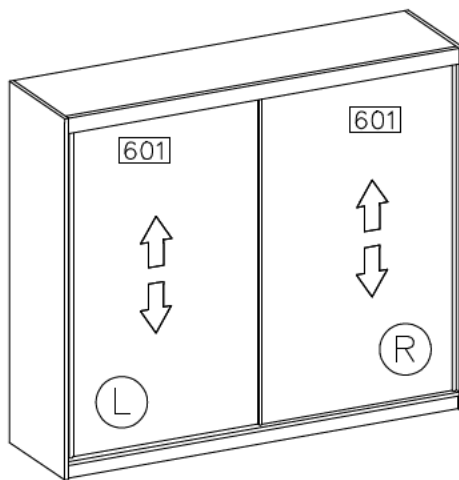
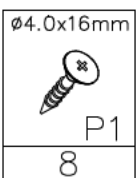
14



15



16



STEP 1  
KROK 1

STEP 2  
KROK 2

STEP 3  
KROK 3

