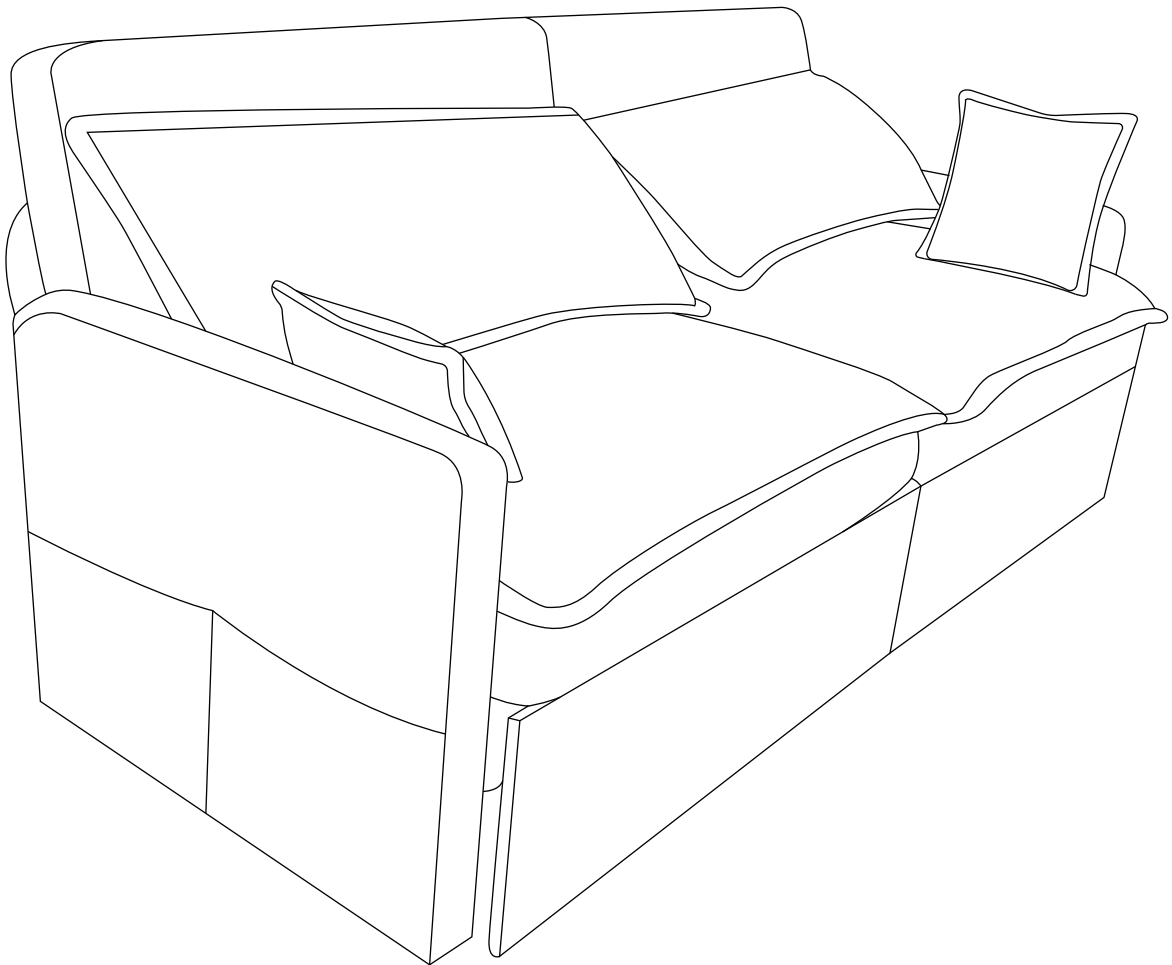


BS-6095



As this item contains many parts, please read the installation instruction carefully before installation . Please use tools properly and carefully.

szhd2024@126.com

Before You Start

- ✓ Read through each step carefully and follow the proper order
 - ✓ Separate and count all your parts and hardware
 - ✓ Give yourself enough room for the assembly process
 - ✓ Have the following tools: Allen Wrench
 - ✓ Caution: If using a power drill or power screwdriver for screwing, please be aware of to slow down and stop when screw is tight. Failure to do so may result in stripping the screw. (Assembly speed can be increased by using electric screwdriver)
- 

Helpful Hints

PEOPLE NEEDED FOR ASSEMBLY: 1-2

- Open your item in the area you plan to keep it to avoid excessive heavy lifting.
- Identify, sort and count the parts before attempting assembly.
- Do NOT use harsh chemicals or abrasive cleaners on this item.
- Never push, pull, or drag your furniture.



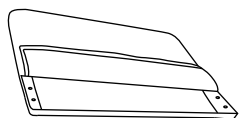
Part List

Ax2

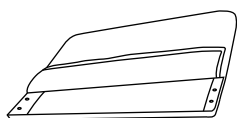
Bx1

Cx1

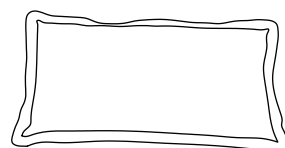
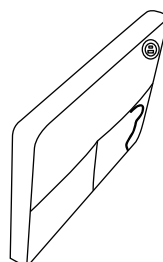
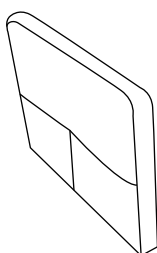
Dx2



A-L



A-R

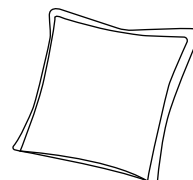
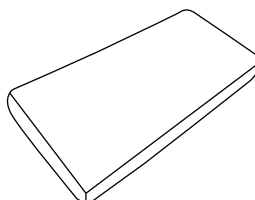
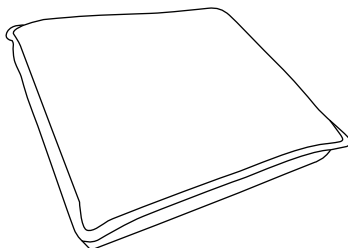
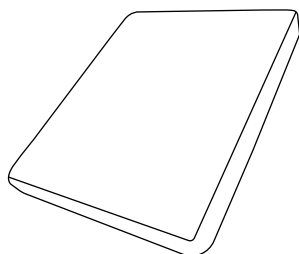


Ex2

Fx2

Gx2

Hx2

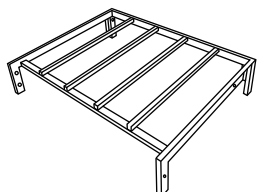


Ix2

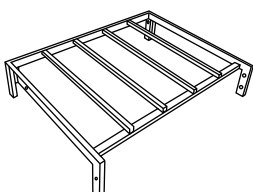
Jx2

Kx2

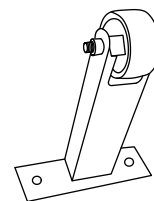
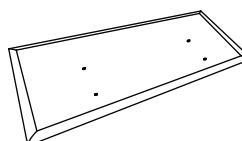
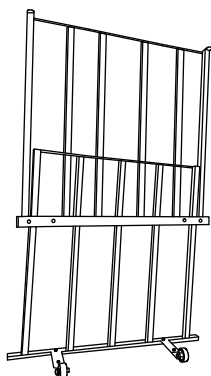
Lx4



I-R



I-L



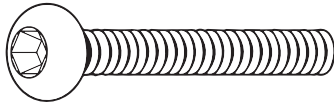
Part List



8x40

M

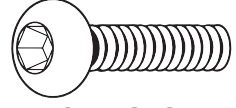
x18



6x35

N

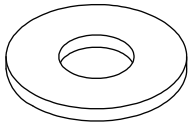
x8



6x20

O

x8



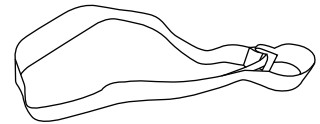
P

x26



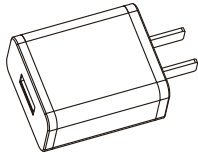
Q

x1



R

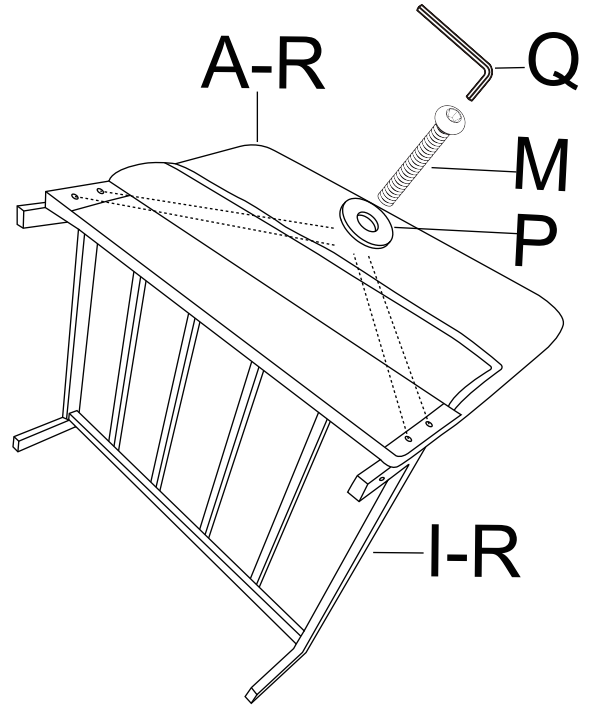
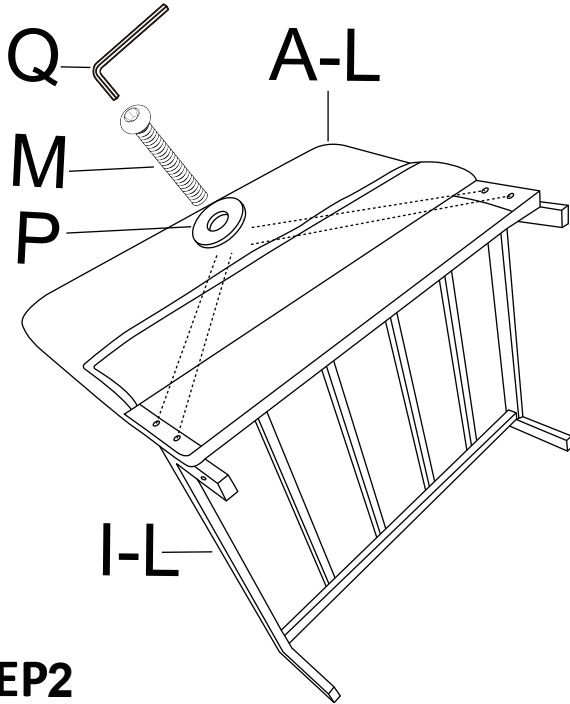
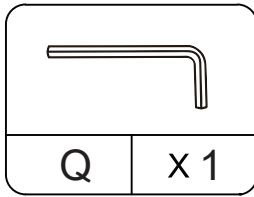
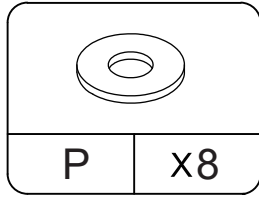
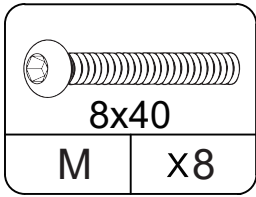
x1



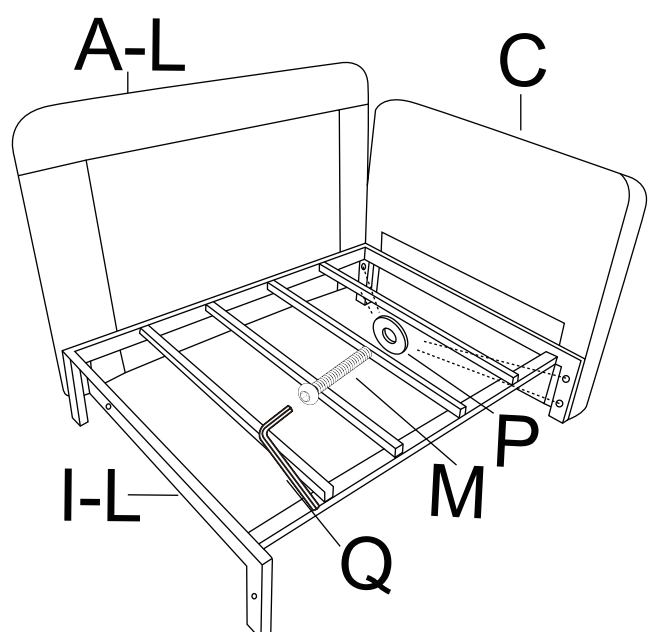
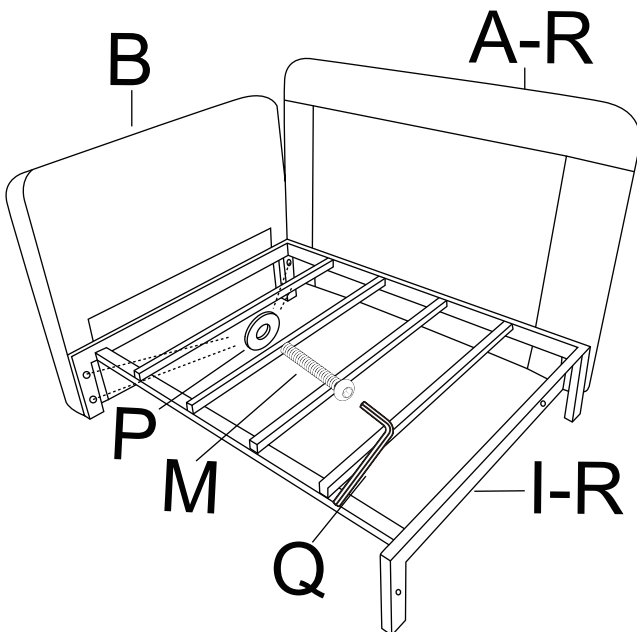
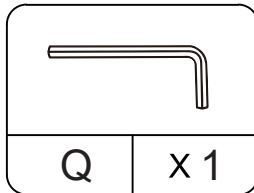
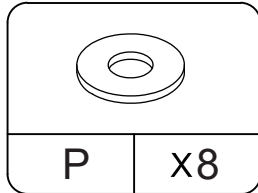
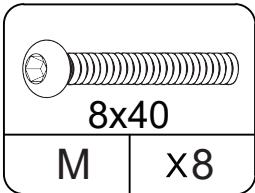
S

x1

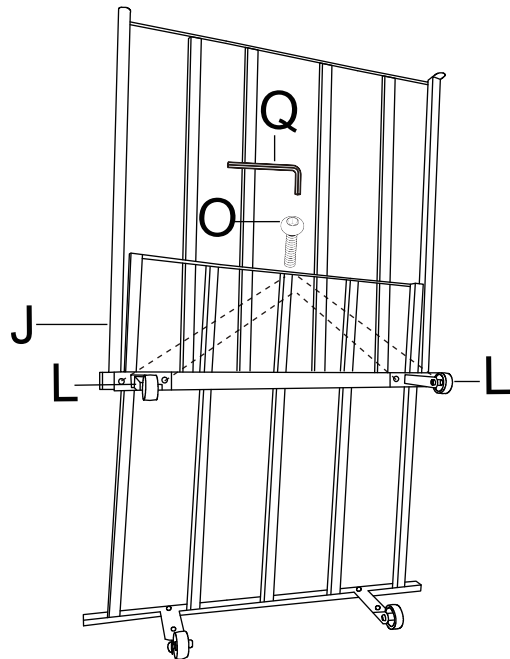
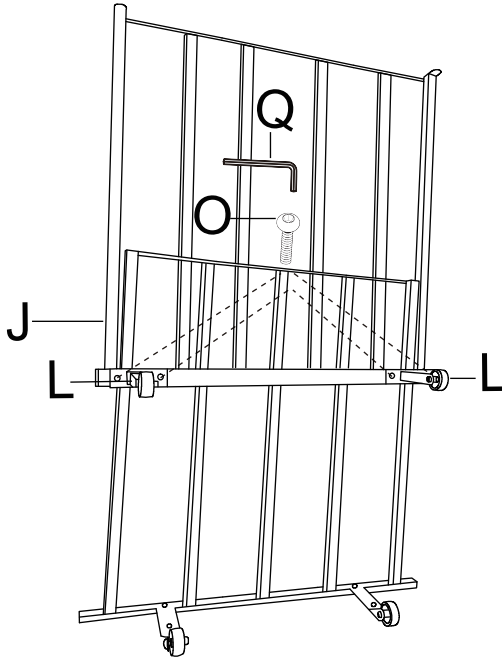
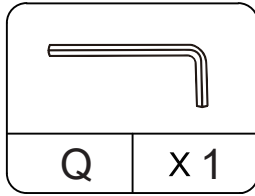
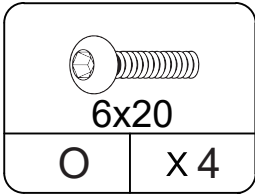
STEP1



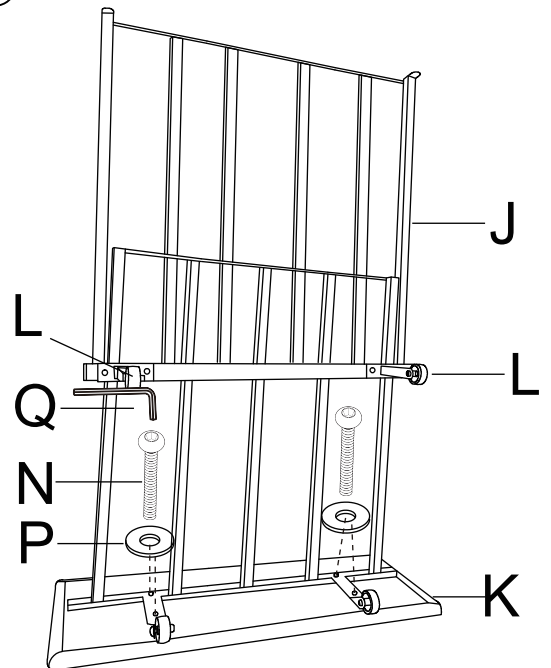
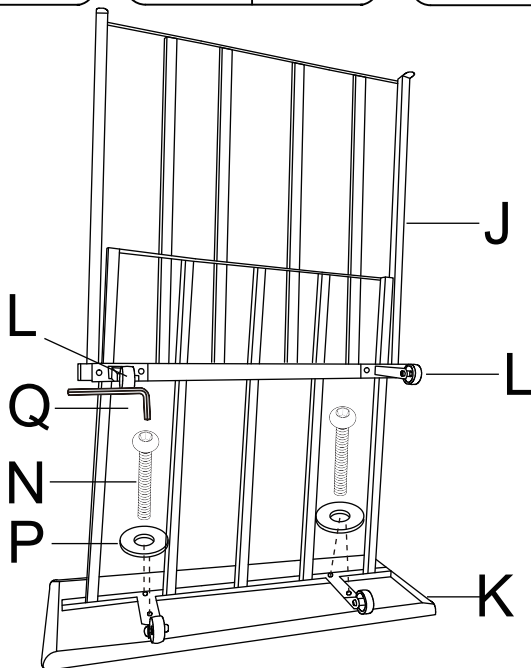
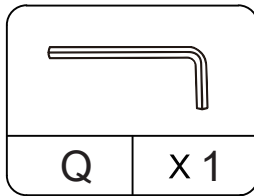
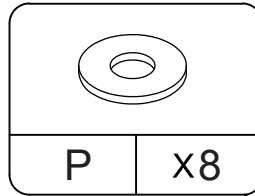
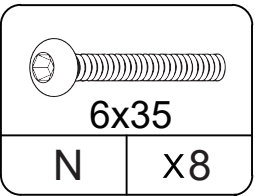
STEP2



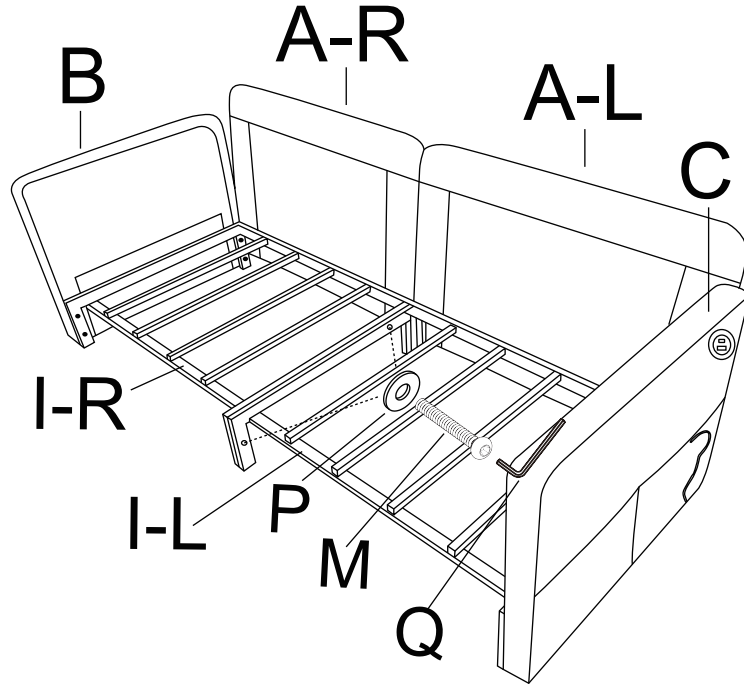
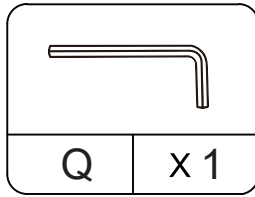
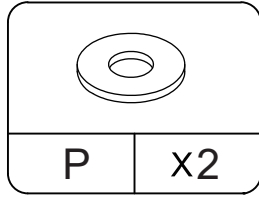
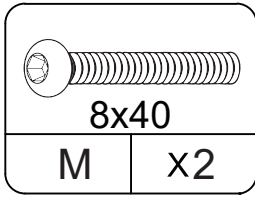
STEP3



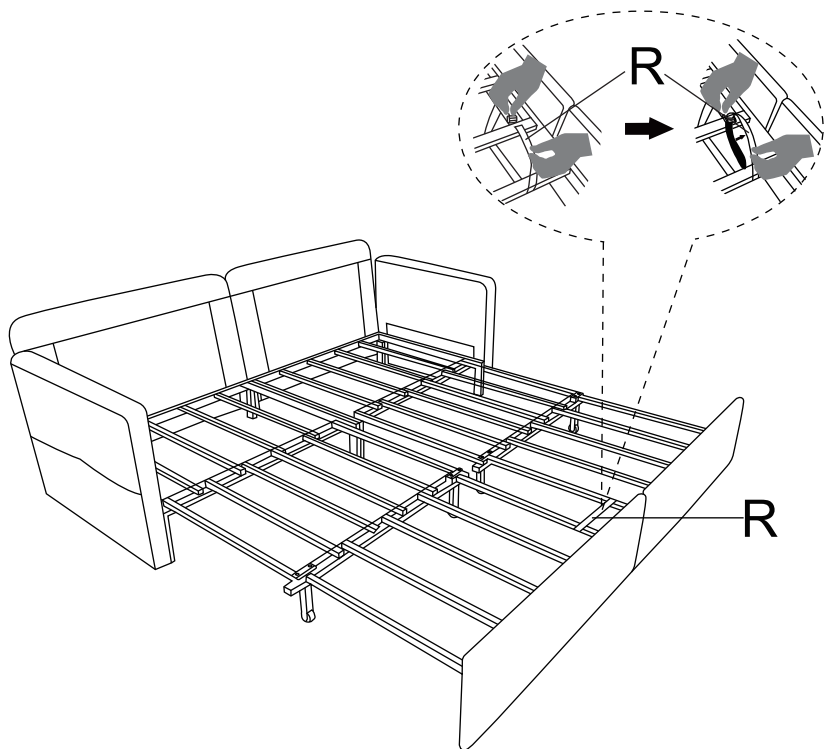
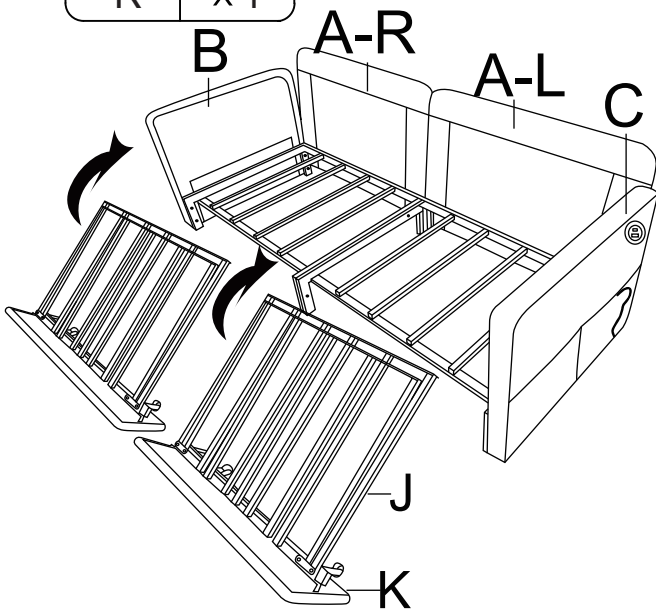
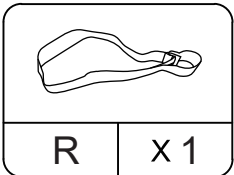
STEP4



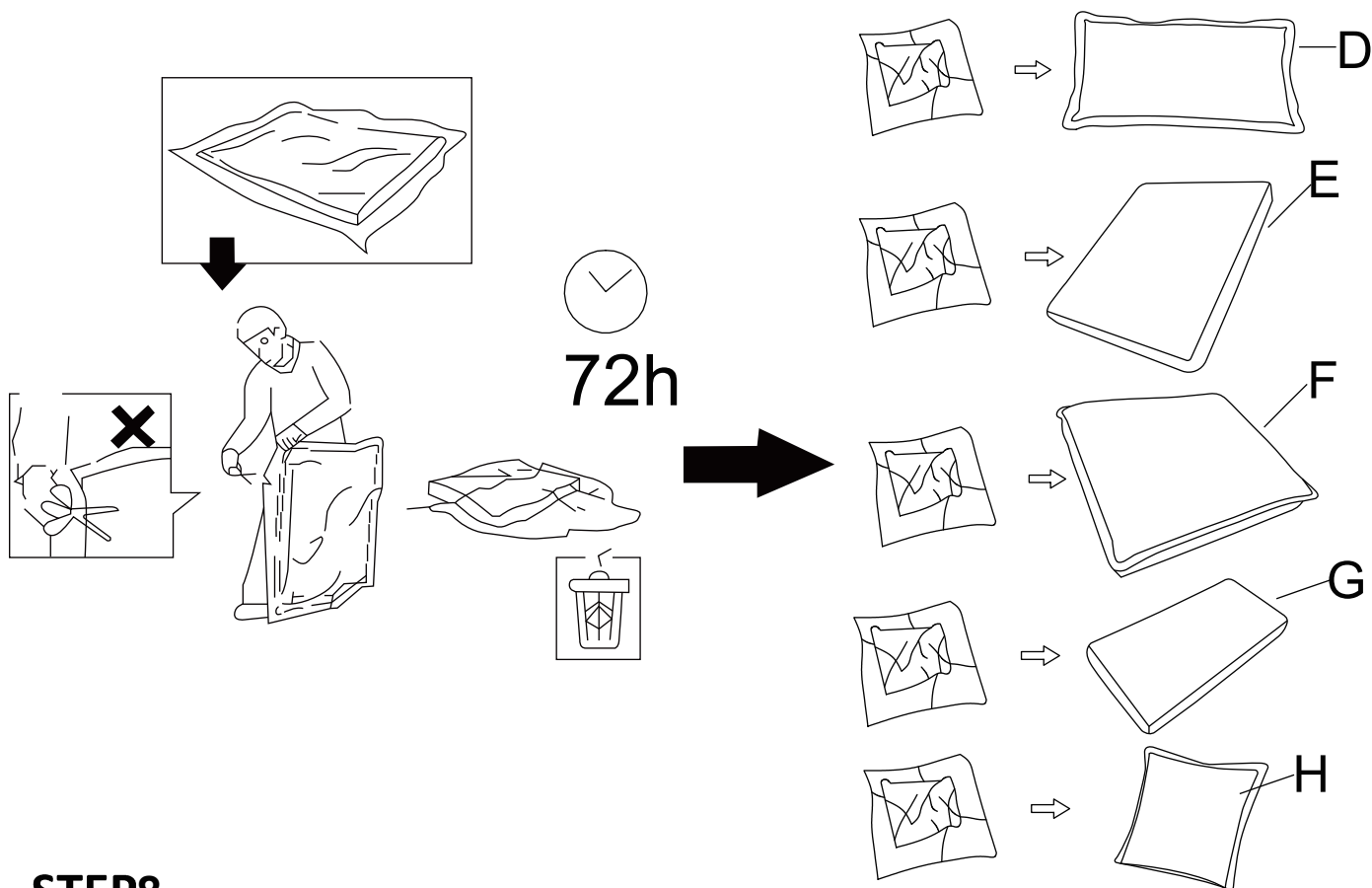
STEP5



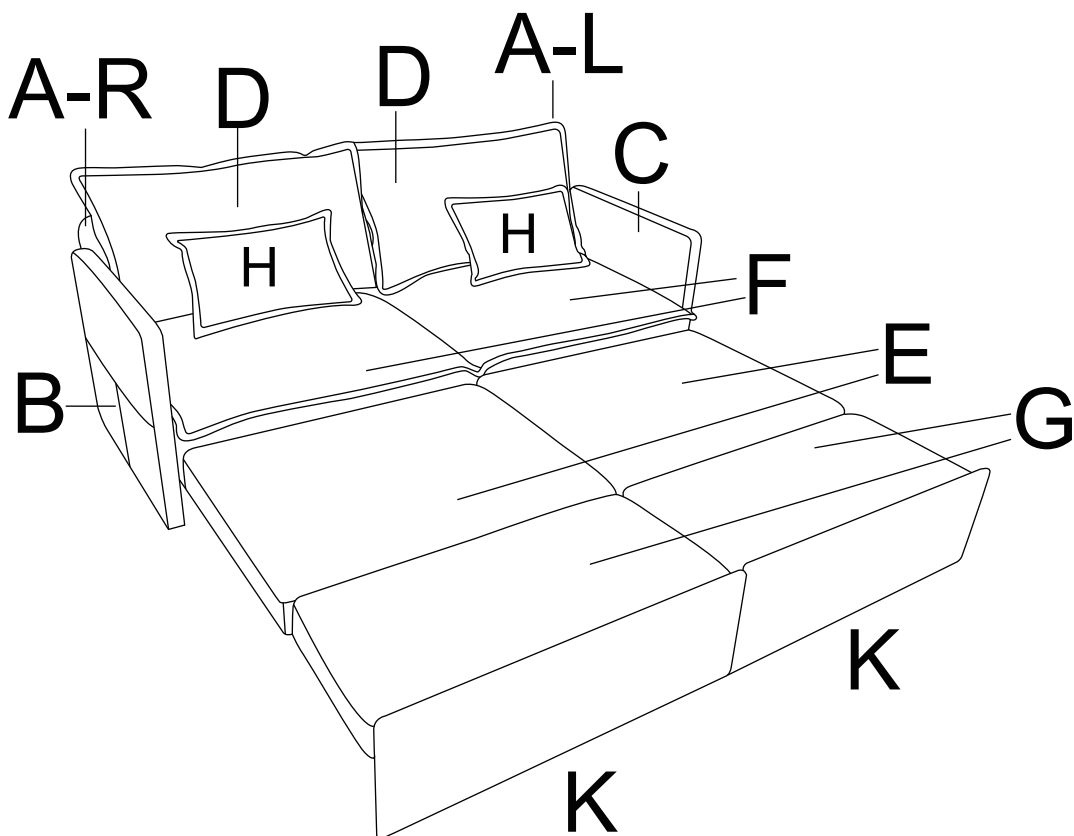
STEP6



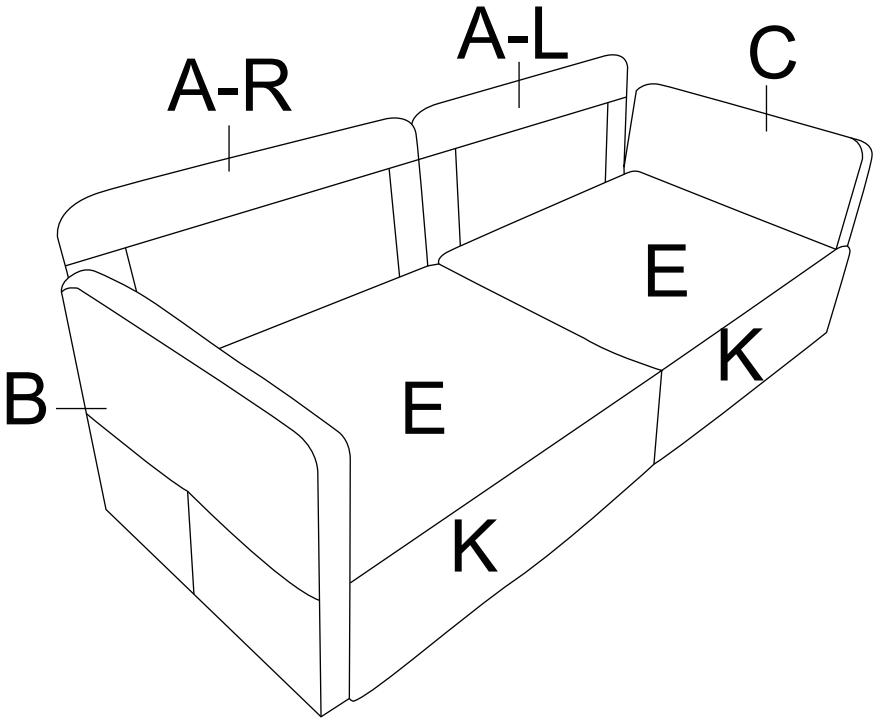
STEP7



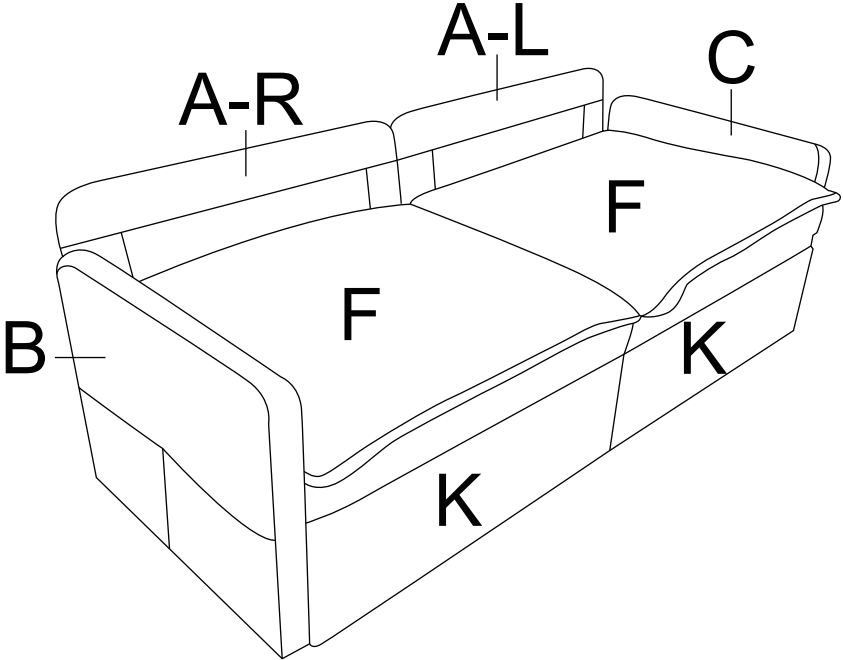
STEP8



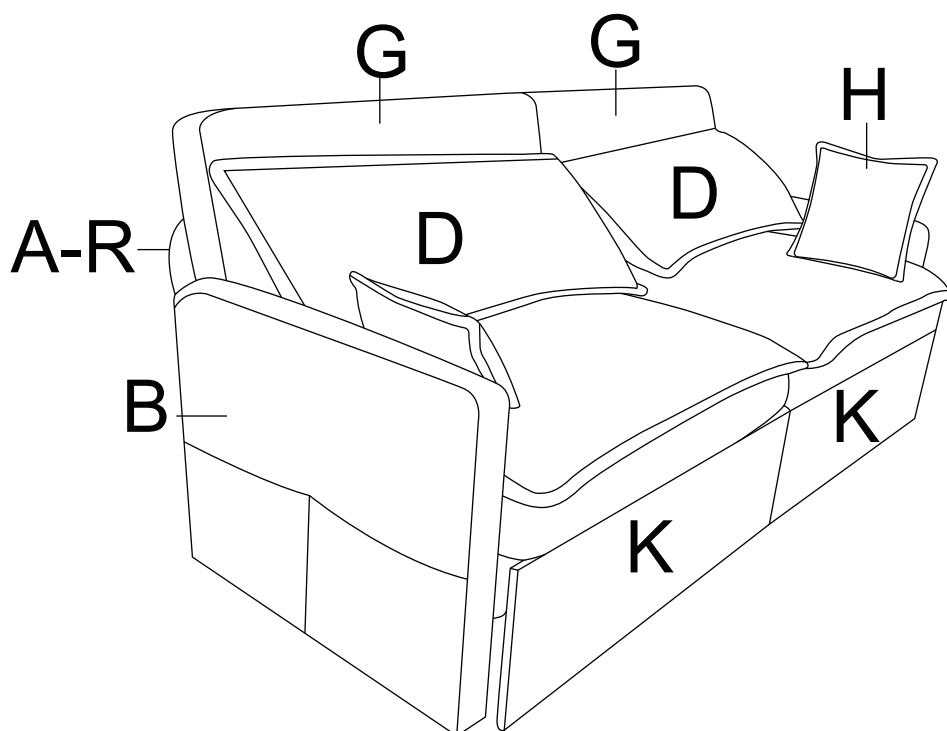
STEP9



STEP10



STEP11



STEP12

