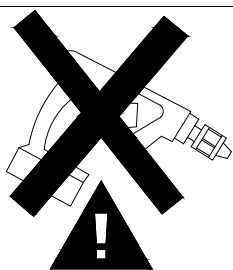
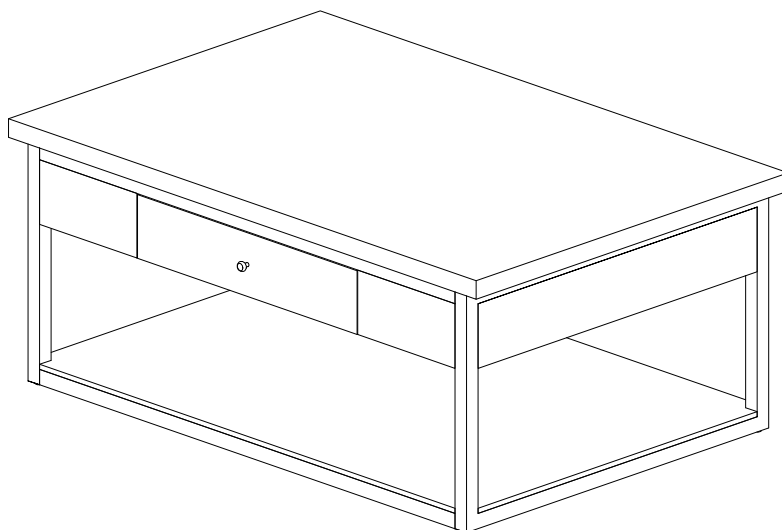
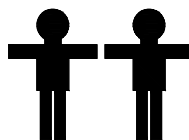


# ASSEMBLY INSTRUCTION

## COFFEE TABLE WITH DRAWER

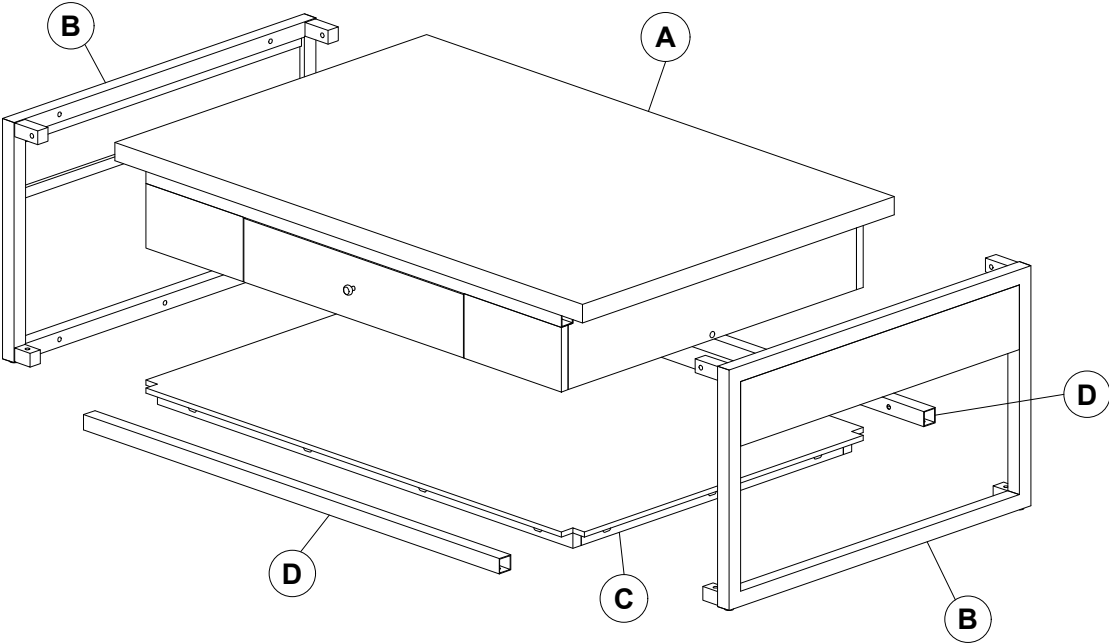


**. Use of power tool to assemble this product will invalidate any claim and damage this product making it unsafe !!!**  
**. Please assemble on a clean soft surface to avoid damage.**



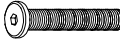
**30 minutes**


# Part list-Claremont Coffee Table With Drawer



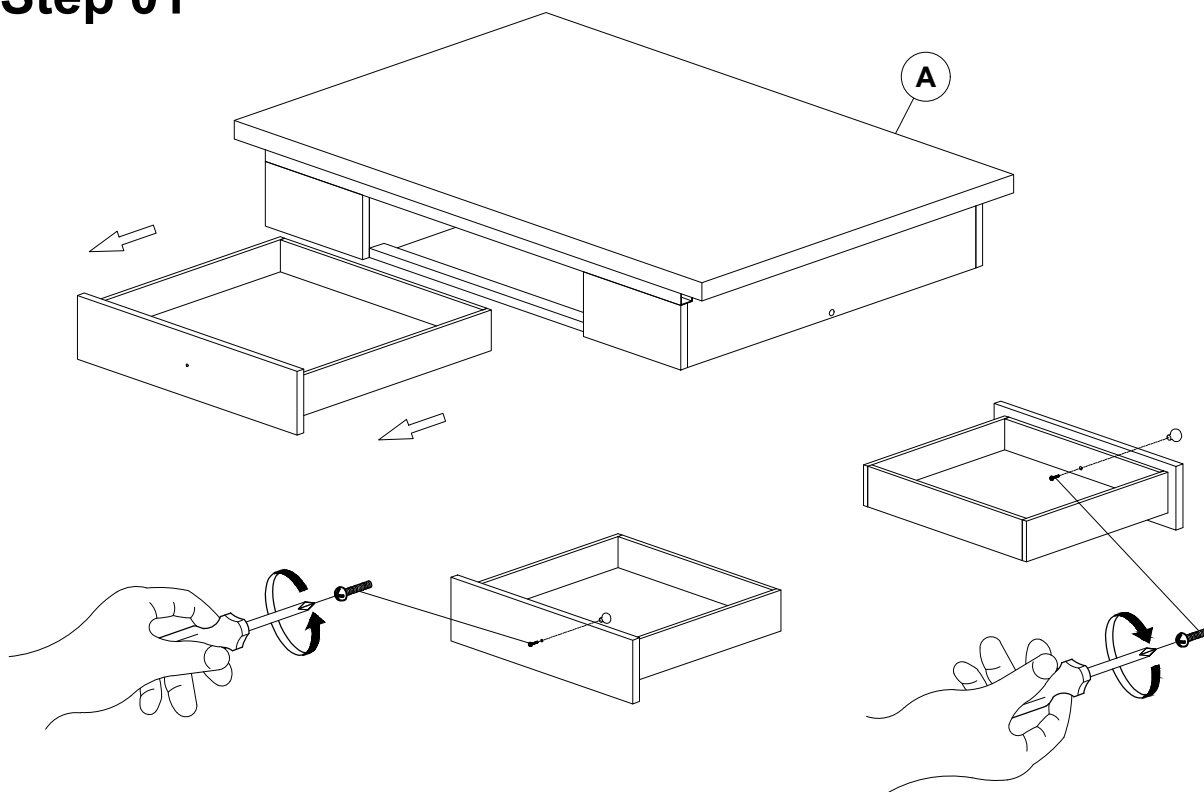
Identifying the hardware-Identify the hardware using the illustrations below

**E**  **08**  
M6x15MM BOLT

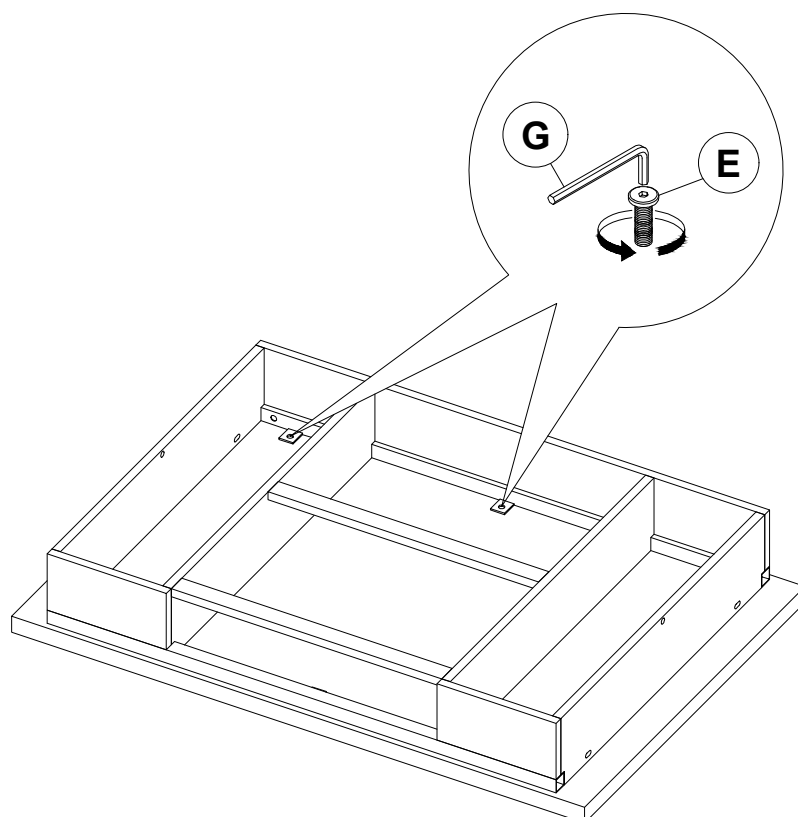
**F**  **20**  
M6x35MM BOLT

**G**  **01**

## Step 01



## Step 02

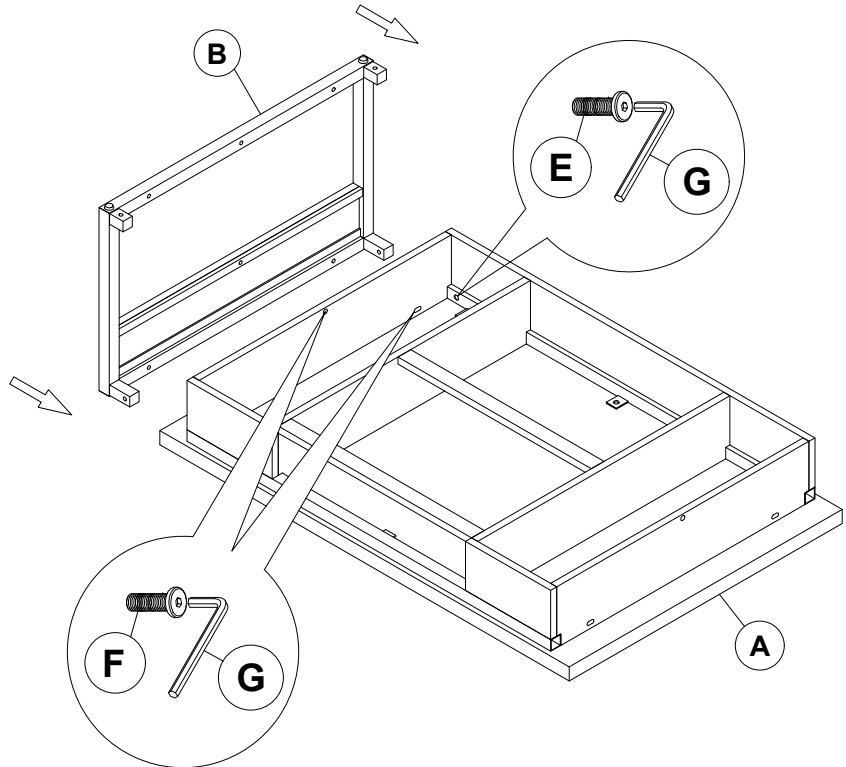


### Step 03

**E**  **02**


**F**  **03**

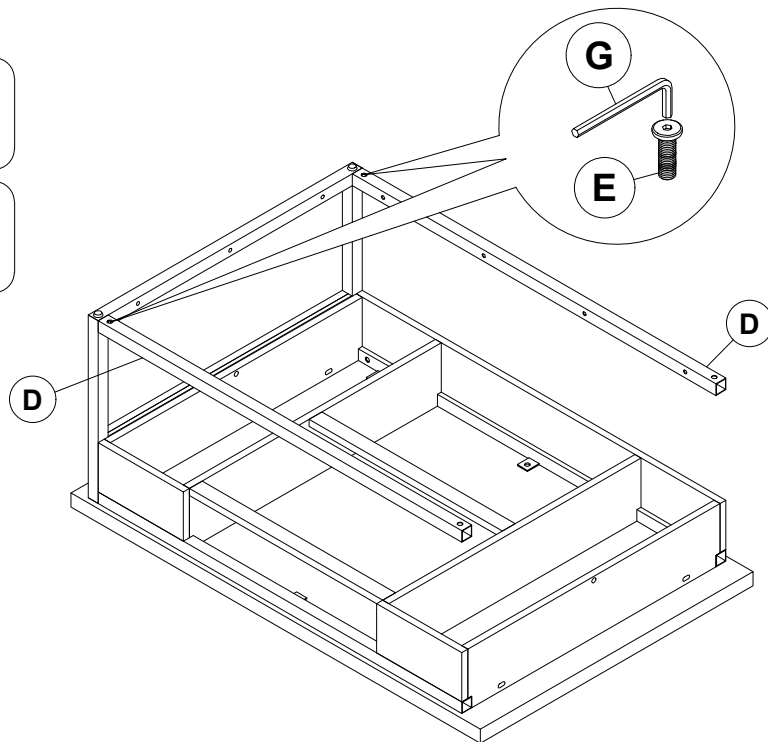
**G**  **01**



### Step 04

**E**  **02**

**G**  **01**

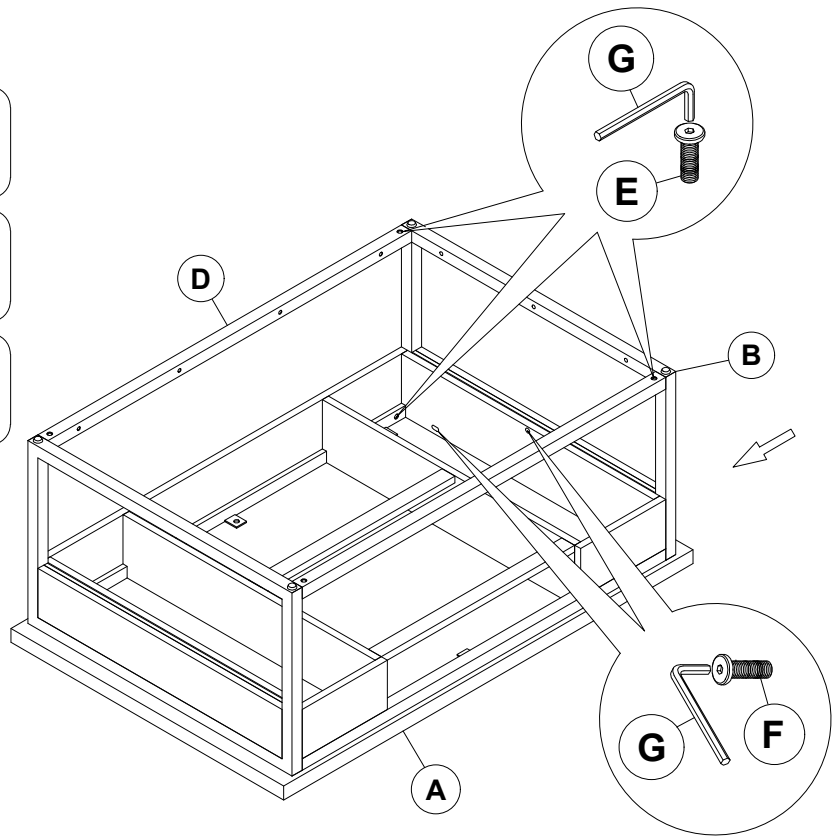


## Step 05

**E**  **04**

**F**  **03**

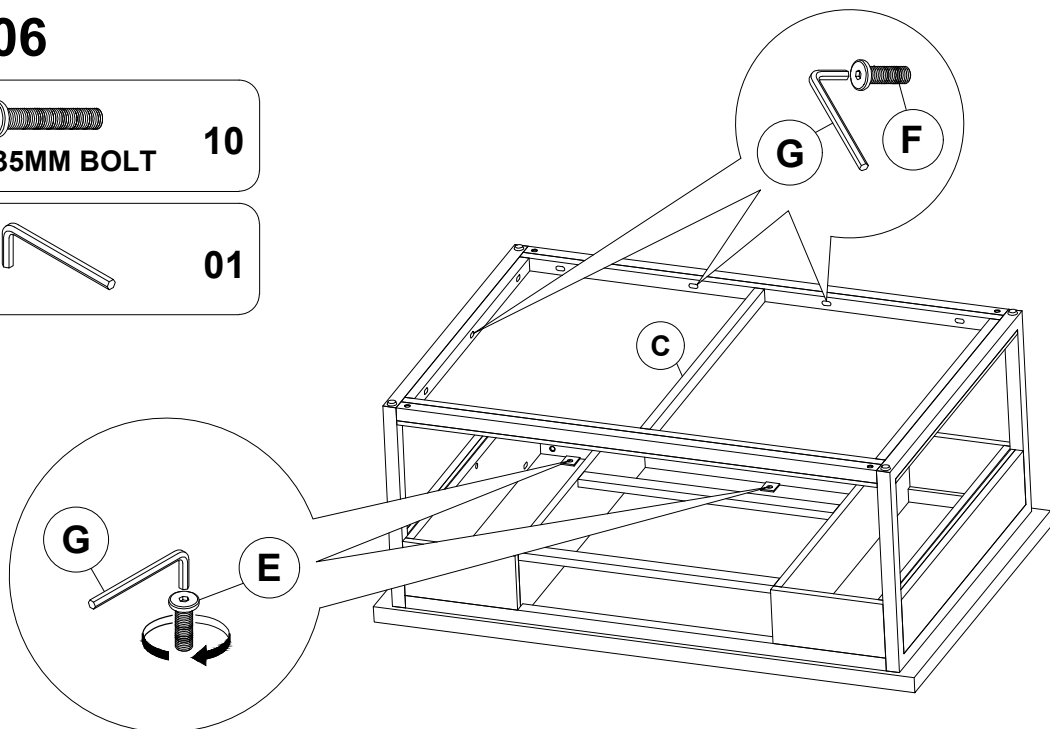
**G**  **01**



## Step 06

**F**  **10**

**G**  **01**



## Step 07

