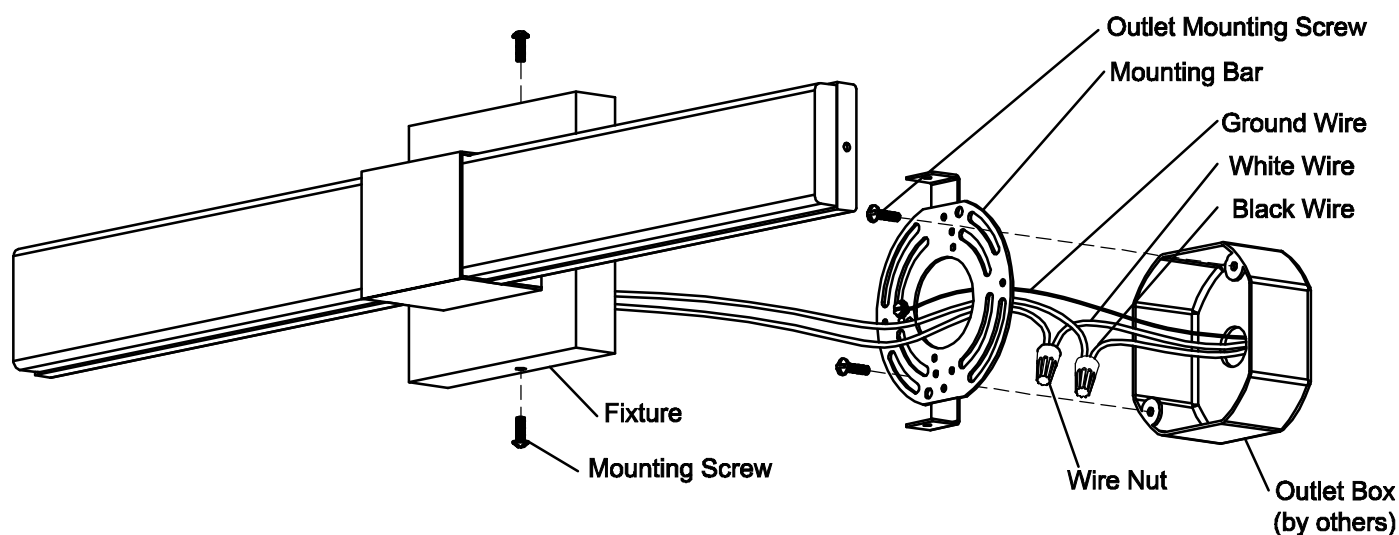


# ASSEMBLY AND INSTALLATION INSTRUCTIONS

**WARNING:** TO AVOID RISK OF ELECTRICAL SHOCK, BE SURE TO SHUT OFF POWER WHILE INSTALLING OR SERVICING THIS FIXTURE.

**NOTE:** Before installing, consult local electrical codes for wiring and grounding requirement.



## Installation Steps

1. Shut off the power at the circuit breaker and remove existing fixture, including the mounting hardware.
2. Carefully unpack your new fixture and lay out all the parts on a clear area. Be careful not to lose any small parts necessary for installation.
3. Remove screws from the fixture.
4. Secure mounting back plate to the outlet box using outlet box screws.
5. Connect the Wire
  - Attach ground wire to house ground wire using a wire nut or attach them to the Back Plate with a green ground screw.
  - Attach white wire from light to white wire from power source with a wire nut.
  - Attach black wire from light to black wire from power source with a wire nut.Observing: positive wire with positive wire, negative wire with negative wire, ground wire with ground wire.  
\*\*\* Make sure all wire connectors are secured and do not easily pull off with the slight tug.
6. Tuck the wire connections neatly into the outlet box.
7. Place the fixture canopy plate over the mounting back plate and secure with screws.

## Dimming

This fixture features electronic Traic dimming capabilities. To utilize TRAIC dimming: use wires black (hot), white (neutral) and bare copper ground wire (ground).