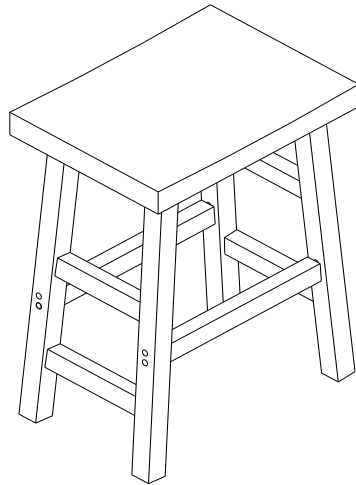


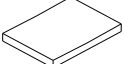
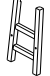

# Stool W/ Metal Base








Thank you for purchasing our Stool. **We have found it helpful to have a second person present during the assembly of this product.**

## Assembly Instructions

Lay out all parts on a "non-abrasive" surface to avoid scratching furniture.

NO.	DRAWING	DESCRIPTION	QTY.
A		TOP	1
B		SIDE ASSEMBLY	2
C		CROSS RAIL	2

NO.	DRAWING	DESCRIPTION	QTY.
D		M6*45mm BOLT	8
E		LOCK WASHER	8
F		WASHER	8
G		M6*60mm BOLT	8
H		WRENCH	1

### Step 1

Read through these instructions thoroughly before beginning assembly. We have found this to be of great value when first assembling this product.

---

### Step 2

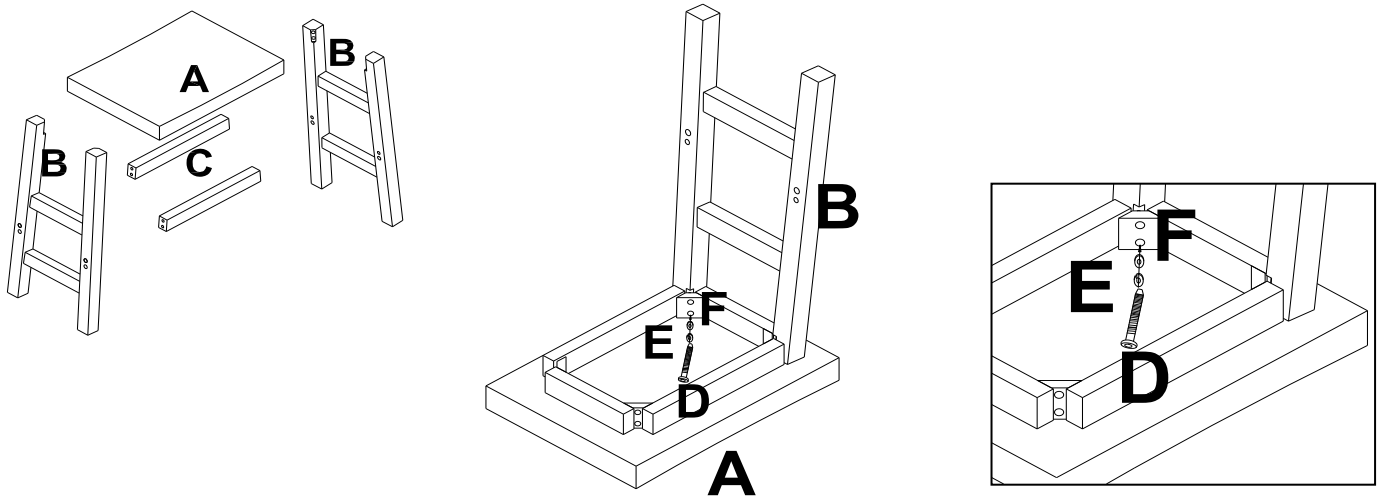
Remove all parts and hardware from packing material. Wooden pieces should be placed on a non abrasive surface (like the carton or carpet) to prevent damage to the finish.

---

### Step 3

Lay Top Seat (A) upside down and attach Side Assembly (B) to underside of Seat using 4 - M6 x 45mm Bolts (D), 4 washers (F) and 4 Lock Washers (E).

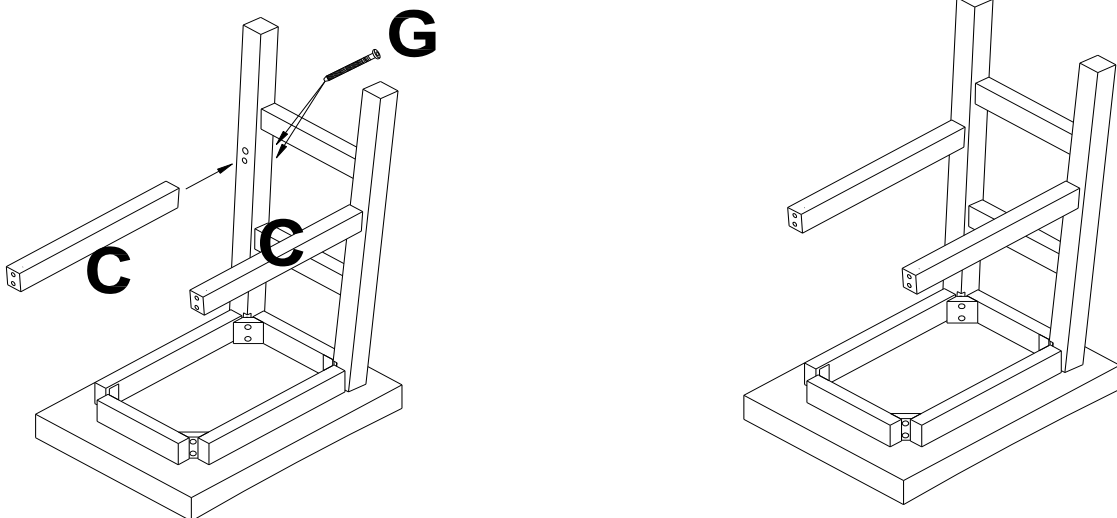
**DO NOT TIGHTEN FIRMLY AT THIS TIME.**



### Step 4

Attach 2 Cross Rails (C) using 4 - M6 x 60MM Bolts (G). Align the Bolts thru the holes in Side Assembly (B) into the Threaded Inserts in Cross Rail (C).

**DO NOT TIGHTEN FIRMLY AT THIS TIME.**

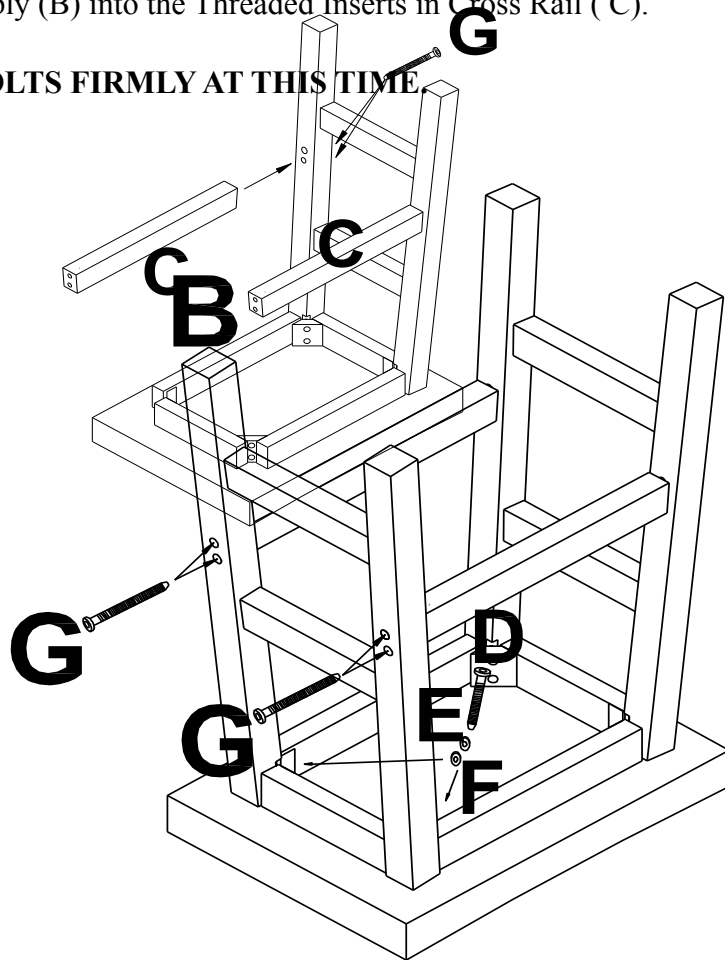


## Step 5

Attach Side Assembly (B) to underside of Seat using 4 - M6 x 45mm Bolts (D), 4 washers (F) and 4 Lock Washers (E) - Do not over tighten.

Attach 2 Cross Rails ( C ) using 4 - M6 x 60MM Bolts (G). Align the Bolts thru the holes in Side Assembly (B) into the Threaded Inserts in Cross Rail ( C ).

**TIGHTEN ALL BOLTS FIRMLY AT THIS TIME**



---

## CARE

Clean with mild soap and wipe dry.

---