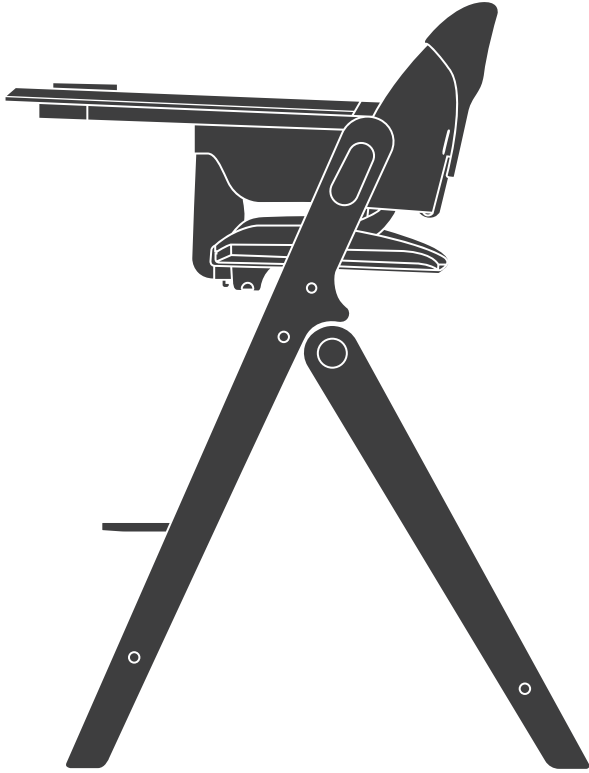


Mamazing

HOME



GrowPod

INSTRUCTIONS

Read all instructions **BEFORE** assembly and **USE** of product.

KEEP INSTRUCTIONS FOR FUTURE USE.

PLEASE READ THE FOLLOWING TERMS CAREFULLY

WARNING

FALLHAZARD: Children have suffered severe head injuries including skull fractures when falling from highchairs

Falls can happen suddenly if child is not restrained properly.

- Always use restraints, and adjust to fit snugly.
 - Tray is not designed to hold child in chair.
 - Stay near and watch child during use.
1. Users and guardians should carefully read the instructions before using this product and keep them for future reference. They will tell you the correct operating methods and installation procedures to avoid damaging the product or injuring your child due to incorrect operation.
 2. The product should be assembled by adults.
The child should be secured in the high chair at all times by the restraint system.
 3. Before use, please check that all parts are properly installed and securely connected.
 4. Before using this high chair, make sure that all locking devices are locked.
 5. When using the high chair, caregivers must remain nearby and keep it away from fire.
 6. When using the high chair, caregivers must remain nearby and keep it away from fire.
 7. Do not use any accessories not provided by the manufacturer.
 8. When using a high chair, babies must use a safety harness system.
 9. The dining chair must be adjusted by the child's caregiver.
 10. Before making any adjustments, ensure that your baby cannot reach any moving parts.
 11. Before making any adjustments, ensure that your baby cannot reach any moving parts.
 12. This product has a maximum load capacity of 15 kg for dining chairs and 100 kg for growth chairs.
 13. The age range of this product is 3 years old to adult stage.

CARE & CLEANING

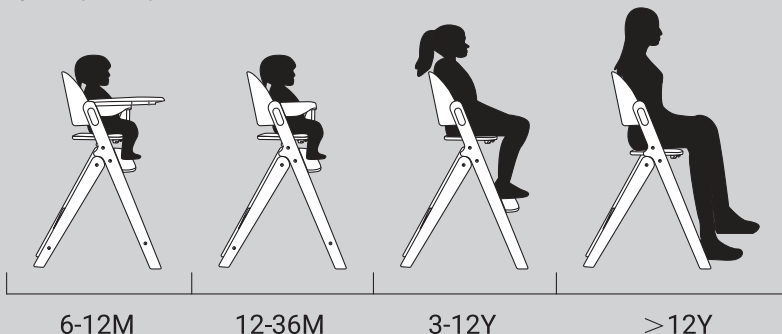
1. Do not scratch or chip the finish.
2. Do not use abrasive chemicals for cleaning.
3. Clean with mild soap on a damp, soft rag.
4. Rinse and dry thoroughly. If you ever refinish this furniture, be sure to use only a non-toxic finish specified for children's products. If you choose to refinish this furniture, the warranty will be voided.

PLEASE READ THE FOLLOWING TERMS CAREFULLY

PRODUCT FEATURES

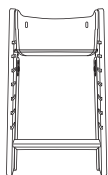
1. Accompanying children's growth, applicable from birth to adulthood.
 2. Five-point safety belt system.
 3. Removable fabric cover.
 4. Removable upper and lower trays and railings.
 5. Footrest height adjustable in 5 levels, growth chair seat adjustable in 2 levels.
 6. Lower fence and tray can be converted into a chair. Seat height can be adjusted to two levels.
-

Growth chair accompanies every stage of growth.



PLEASE CHECK THE PACKAGING AND ACCESSORIES TO MAKE SURE NOTHING IS MISSING

1



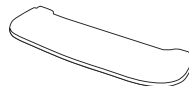
Seat body X1

2



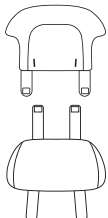
Seat board X1

3



Pedal X1

4



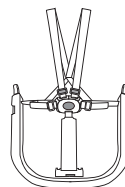
Fabric cover X1

5



Upper and lower trays X1

6



Fence X1

7



M6 screw X2

8



Screw X2

9

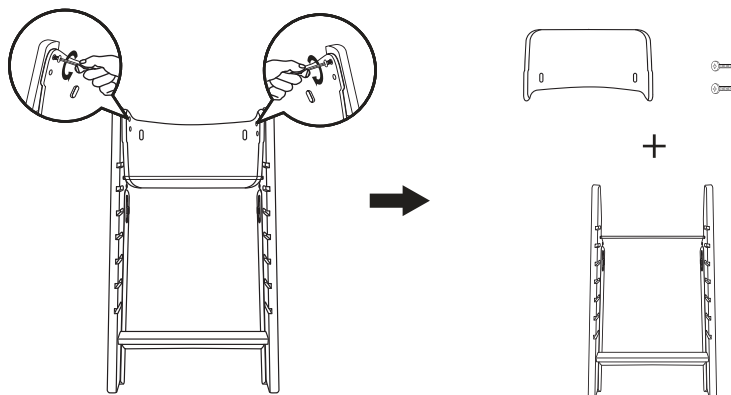


Wrench X1

ASSEMBLY INSTRUCTIONS

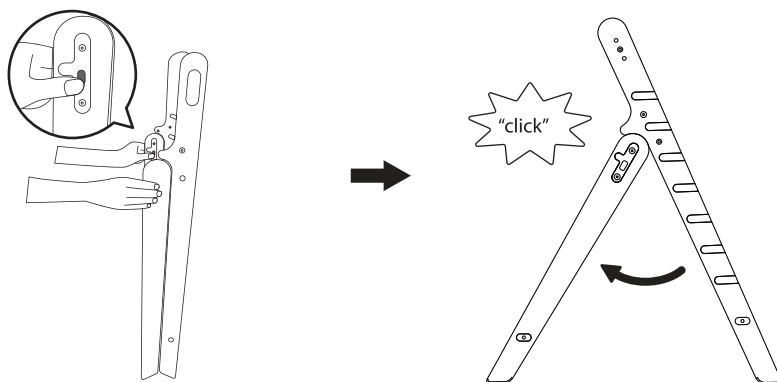
1 Remove the backrest

Unscrew the bolts on both sides of the backrest, remove the backrest.



2 Extend the front and rear legs

Press the rear leg folding button with your hand while pulling the rear leg outward until you hear a "click" sound, which means the front and rear legs are unfolded.

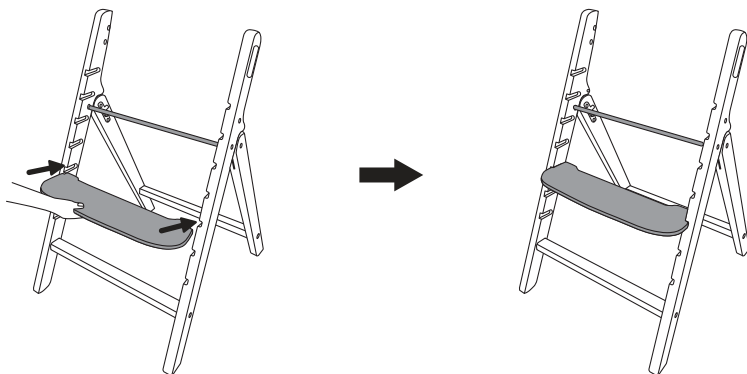


ASSEMBLY INSTRUCTIONS

3

Install the pedals

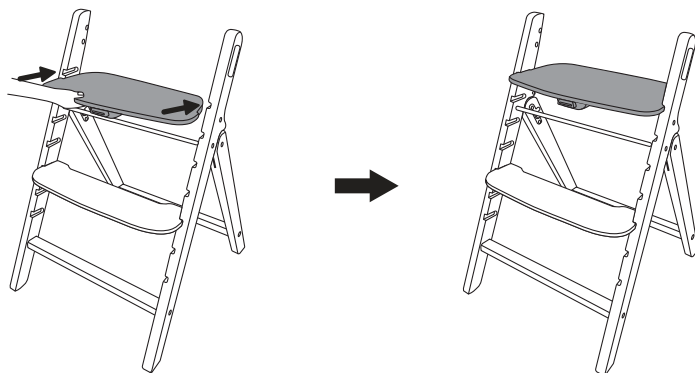
Push the pedals along the groove on the inside of the front foot tube until they are pushed to the bottom. (The circular side of the pedal faces forward, and the concave side faces backward).



4

Install the seat plate

Push the seat plate along the groove on the inner side of the front leg tube until it is pushed to the bottom. (The fence guard installation hole in the middle of the lower side of the seat plate faces forward).

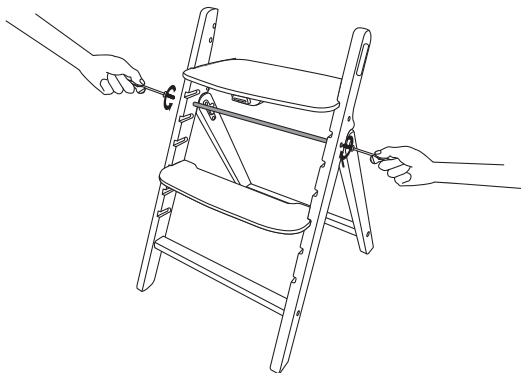


ASSEMBLY INSTRUCTIONS

5

Fix the crossbar, footrest, and seat plate

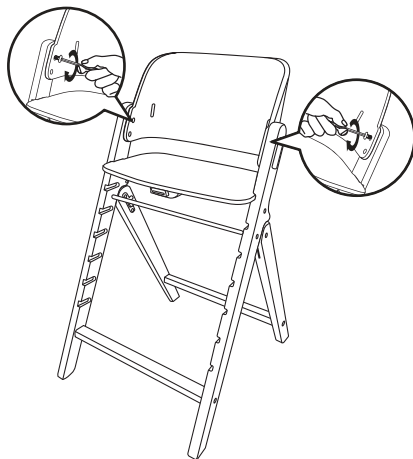
Screw the screws on both sides of the connection between the crossbar and the front leg tube, and tighten the screws to fix the crossbar, footrest, and seat plate.



6

Install the backrest

Install the backrest into the inner side of the front leg tube and tighten the 4 screws.

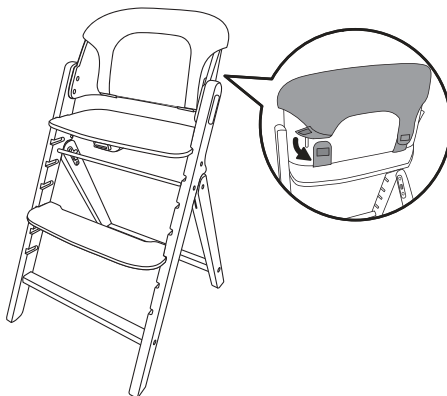


ASSEMBLY INSTRUCTIONS

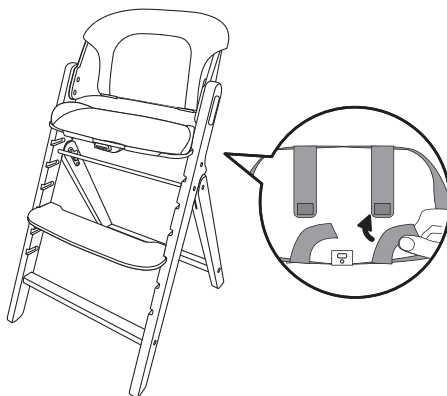
7

Install the fabric cover

Attach the backrest cushion directly onto the backrest and secure it with the rear Velcro.



Place the seat cushion directly onto the seat board and secure it with the bottom Velcro.

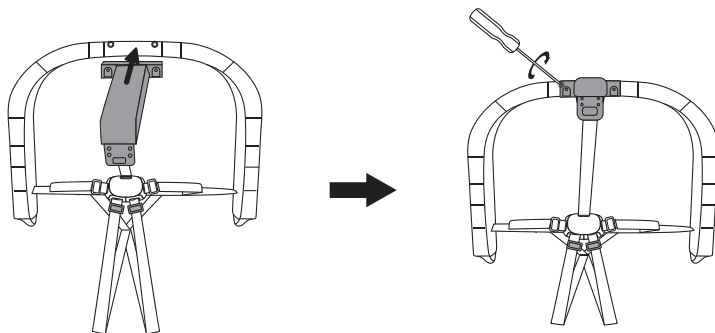


ASSEMBLY INSTRUCTIONS

8

Install the fence assembly

Insert the crotch guard into the crotch guard socket in the middle of the bottom of the fence and tighten the two screws.



⚠ WARNING

All screws must be securely tightened during installation and prior to use to avoid potential safety hazards.

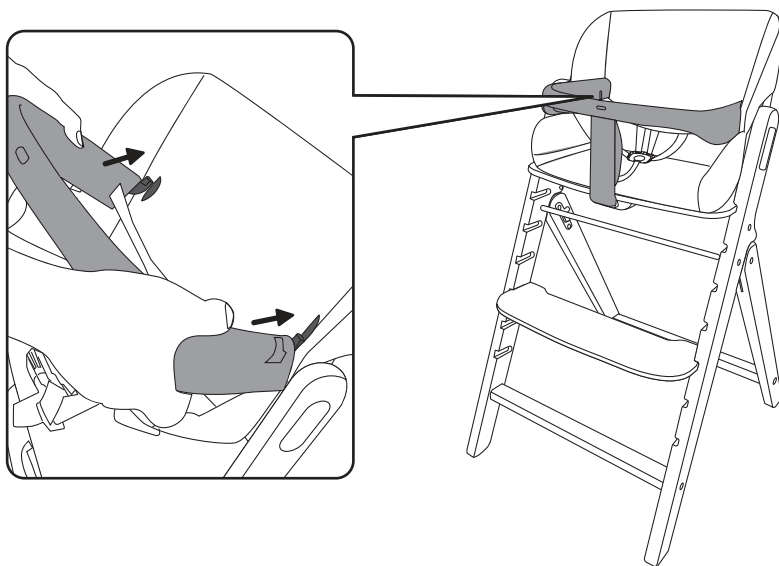
ASSEMBLY INSTRUCTIONS

9

Install the fence when the cloth cover is installed

First, align the fence diagonally upwards with the two holes on the cloth cover and insert it into it, then align the fence diagonally upwards with the two holes on the backrest and insert it into it, and finally insert the fence guard into the installation hole in the middle of the seat. When you hear a "click", the installation is complete.

Notice: During this process, the seat plate needs to be adjusted to the highest position!

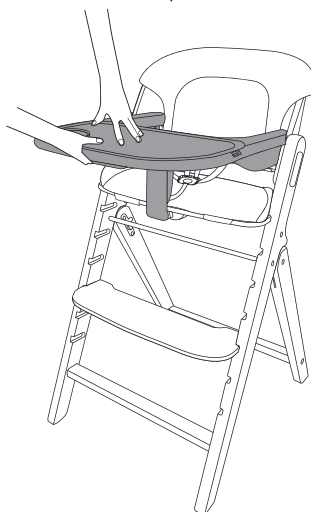
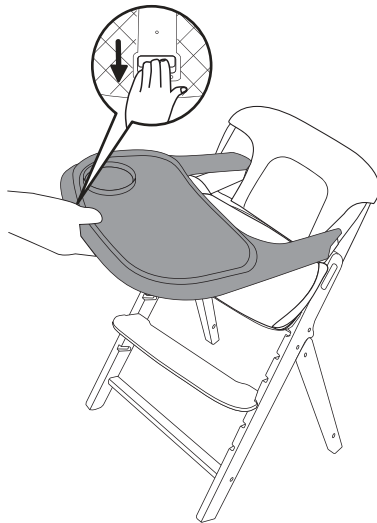


ASSEMBLY INSTRUCTIONS

10

Install the tray

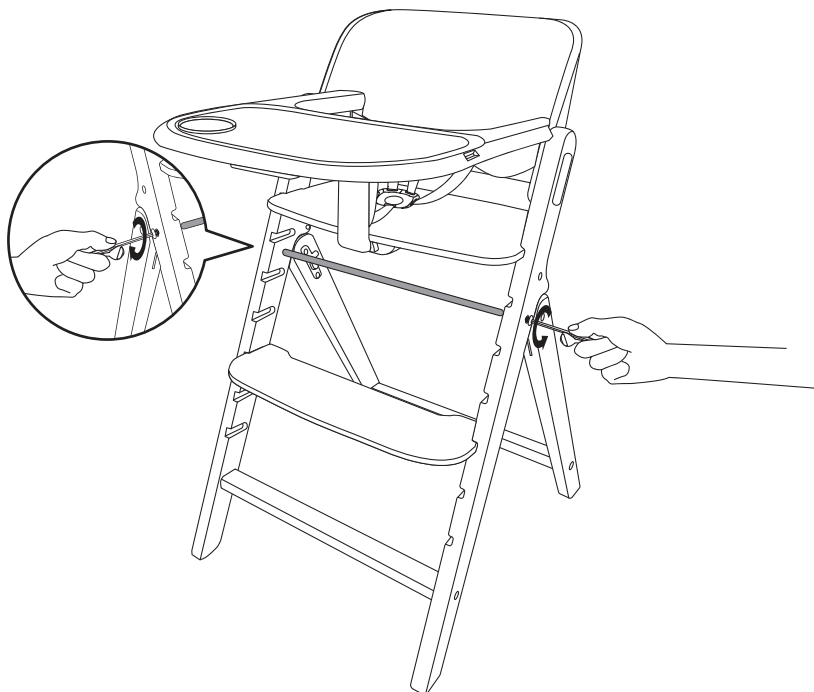
Align the tray diagonally to both sides of the fence, and pull the tray handle down to complete the installation.



FUNCTION DESCRIPTION

5-level pedal adjustment

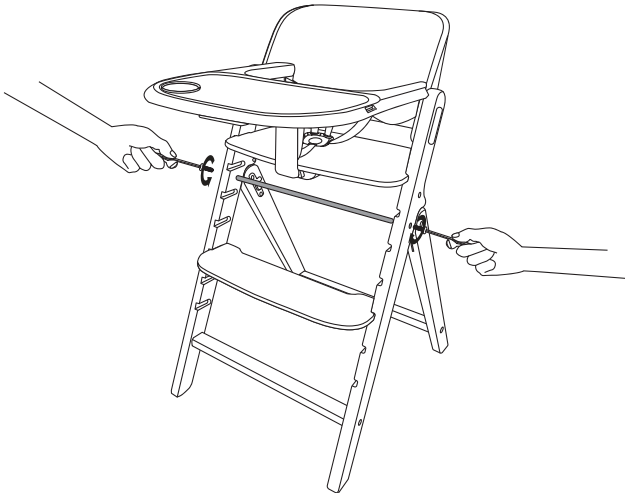
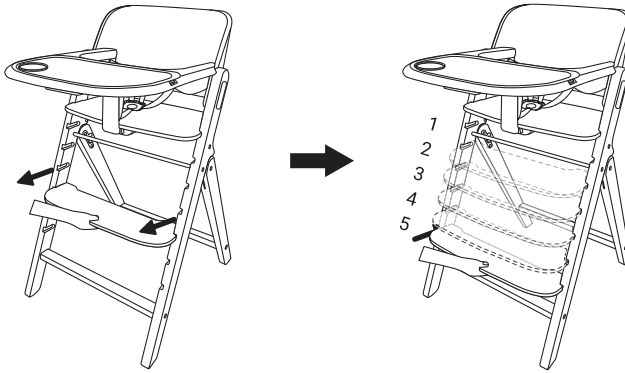
Before adjusting the pedal, unscrew the screws on both sides of the cross-bar so that the pedal can be removed.



FUNCTION DESCRIPTION

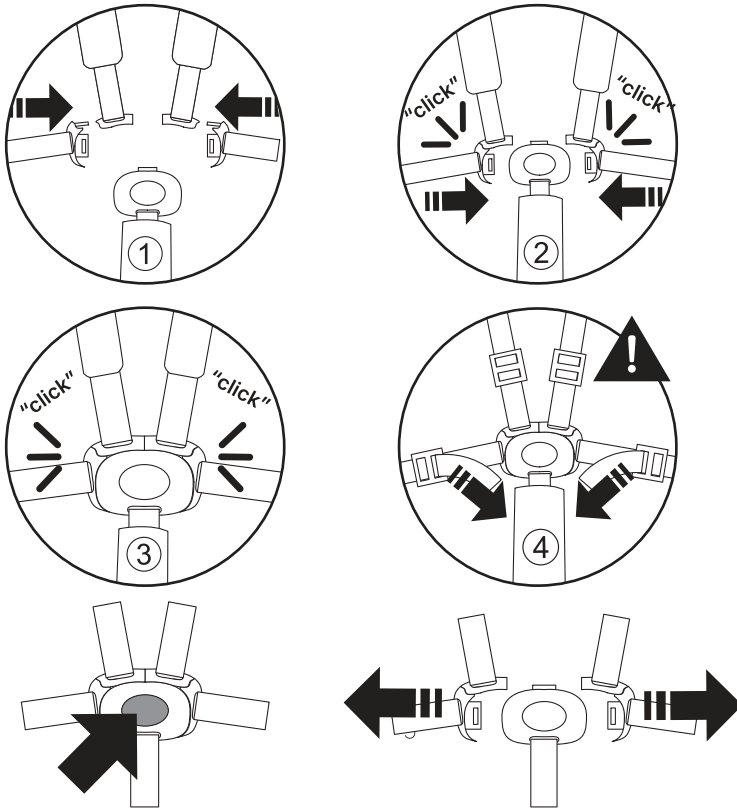
5-level pedal adjustment

Then pull the pedal out of the front foot tube groove, and then insert it into the appropriate front foot tube groove according to your needs, and finally screw on the screws on both sides of the crossbar. The pedal can be adjusted in 5 levels according to your needs.



FUNCTION DESCRIPTION

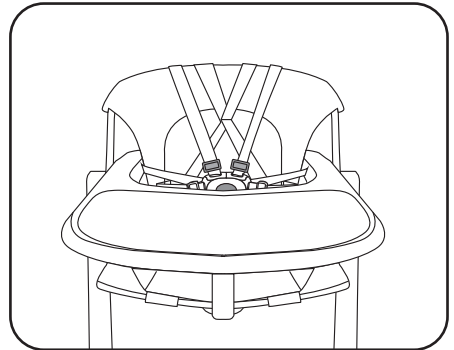
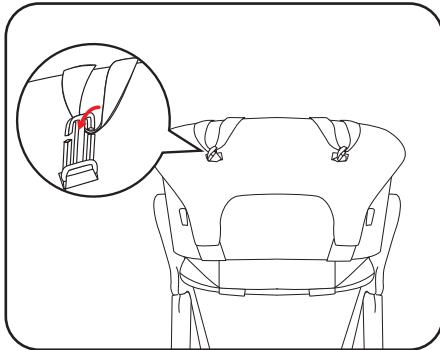
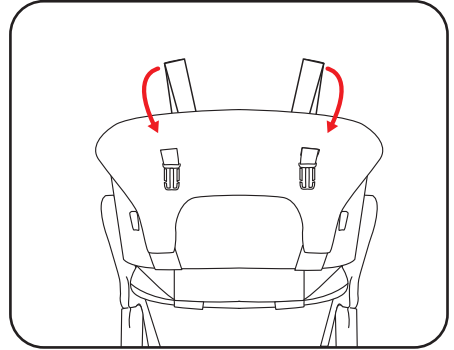
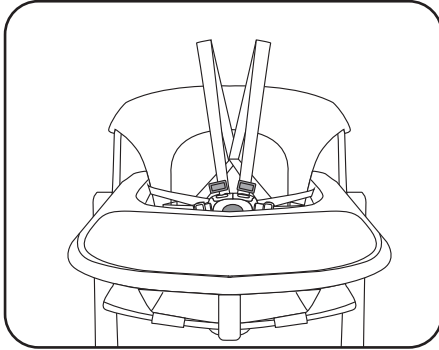
The five-point safety belt can safely protect your baby. The adjustment device is shown in the figure. Adjust the length of each side of the safety belt according to the baby's height to ensure that the baby sits comfortably. To fasten the safety belt, just insert the safety plug into the safety socket. To loosen the safety belt, just press the middle button with your finger to let it exit the safety socket.



WARNING : Children should always be worn in a properly secured and adjusted safety harness.

FUNCTION DESCRIPTION

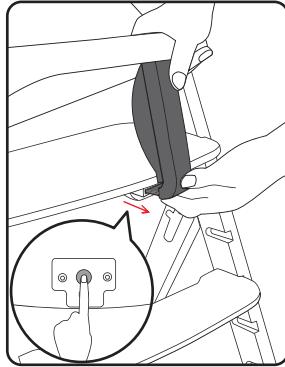
Secure the harness straps by feeding them through the safety buckles located on the rear of the seat cover.



FUNCTION DESCRIPTION

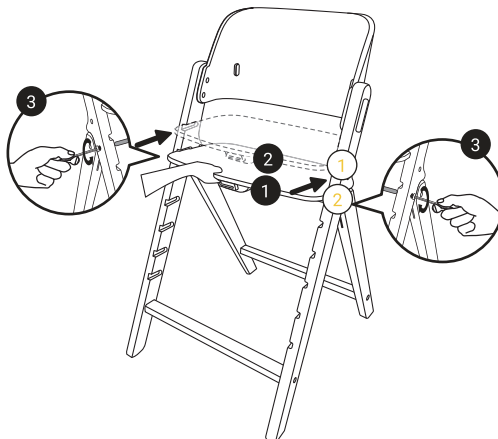
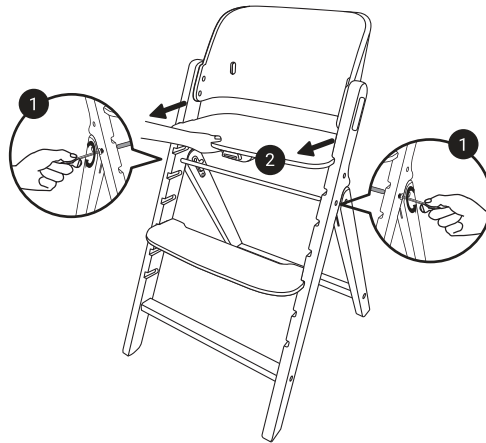
Remove the dining tray and fence, and the dining chair will become a child booster seat.

Press the round button under the seat with your hand, pull out the fence guard, and finally remove the fence from the backrest hole.



FUNCTION DESCRIPTION

The seat can be adjusted in two levels: first unscrew the screws on both sides of the crossbar, pull the seat plate out of the front foot tube groove, then insert it into the other level of front foot tube groove, and finally screw on the screws on both sides of the crossbar.



Mamazing

HOME



Installation Instructional Video