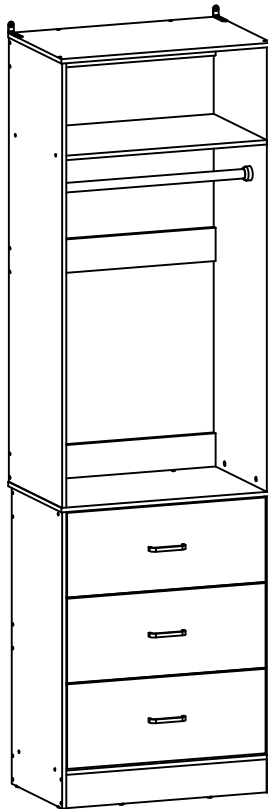


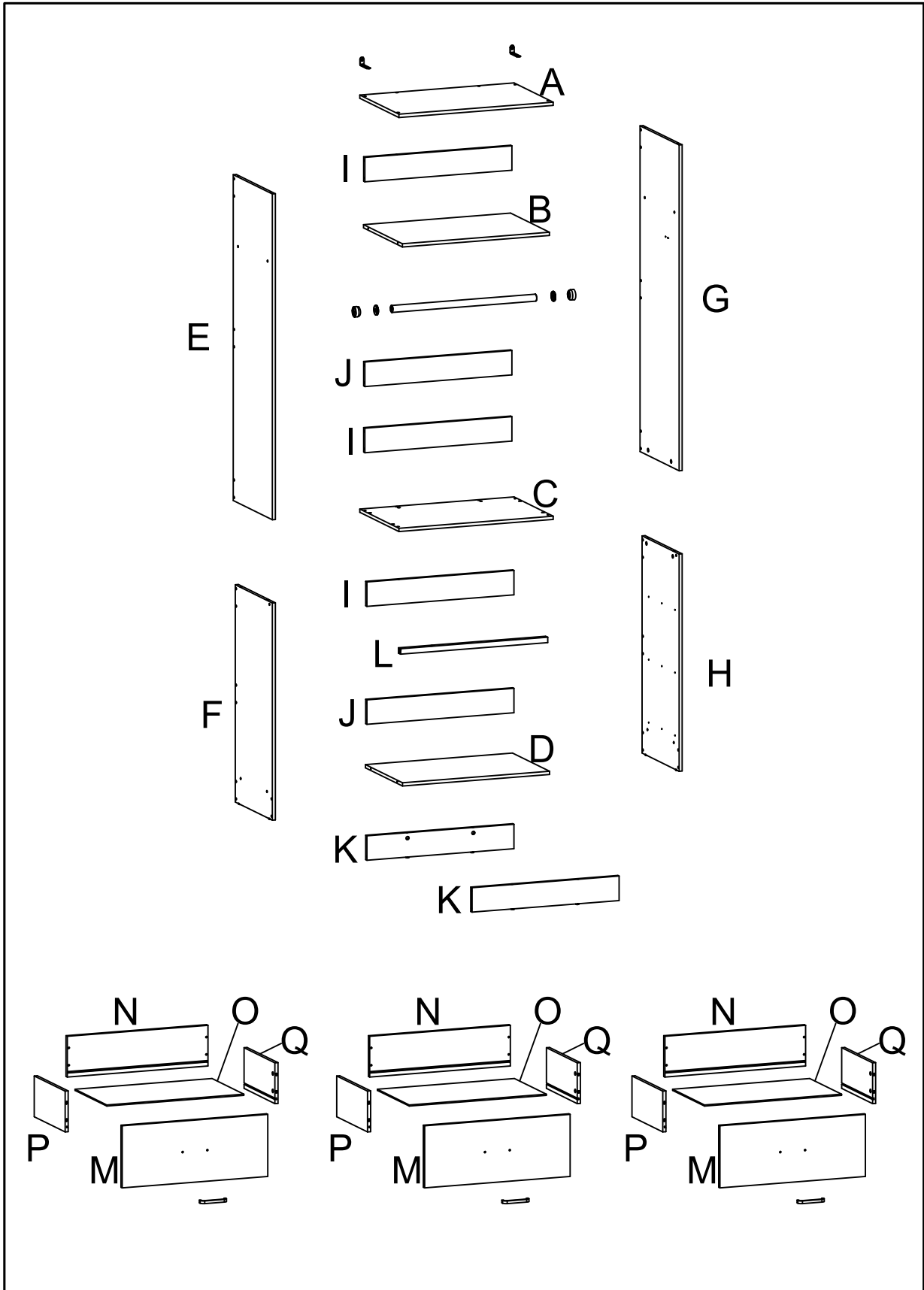
# ***2FT Closet System with 3 Drawers***

## **Assembly Instructions**






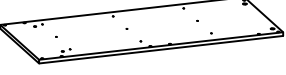

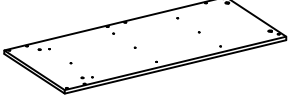


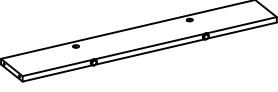

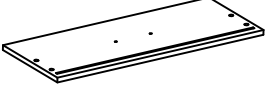



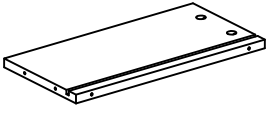


**Attention:** Please ensure you have all parts before commencing assembly.  
Please read all the instructions before commencing.

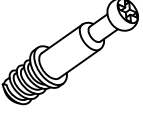



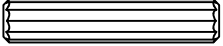

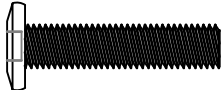




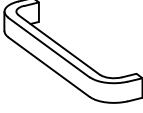

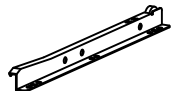
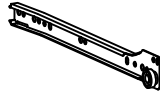
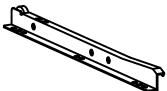
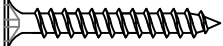
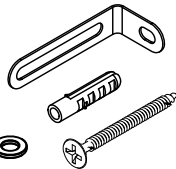

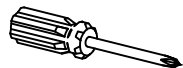
PART LIST



**PART LIST**

<p><b>A x 1pc</b></p> 	<p><b>B x 1pc</b></p> 	<p><b>C x 1pc</b></p> 	<p><b>D x 1pc</b></p> 
<p><b>E x 1pc</b></p> 	<p><b>F x 1pc</b></p> 	<p><b>G x 1pc</b></p> 	<p><b>H x 1pc</b></p> 
<p><b>I x 3pcs</b></p> 	<p><b>J x 2pcs</b></p> 	<p><b>K x 2pcs</b></p> 	<p><b>L x 1pc</b></p> 
<p><b>M x 3pcs</b></p> 	<p><b>N x 3pcs</b></p> 	<p><b>O x 3pcs</b></p> 	<p><b>P x 3pcs</b></p> 
<p><b>Q x 3pcs</b></p> 			

## HARDWARE LIST

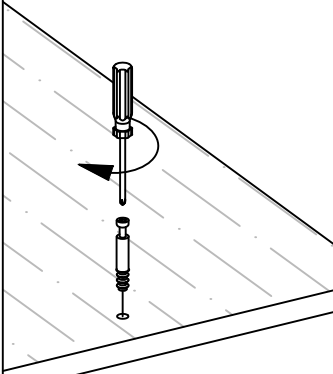
①  M6x28      24 pcs	②  Ø12      24 pcs	③  M6x40      46 pcs	④  M4x15      6 pcs
⑤  M6x30      4 pcs	⑥  M3x12      36 pcs	⑦  M6x27      4 pcs	⑧  M4x12      4 pcs
⑨  Ø25x559      1 pc	⑩  2 pcs	⑪  2 pcs	⑫  3 pcs
⑬  300L      3 pcs	⑭  300L      3 pcs	⑮  300L      3 pcs	⑯  300L      3 pcs
⑰  M4x30      12 pcs	⑱  M4x40      2 pcs	⑲  M4      1 pc	⑳  1 pc

\*Please count and verify all parts before assembly .\*

# How to install Camlocks

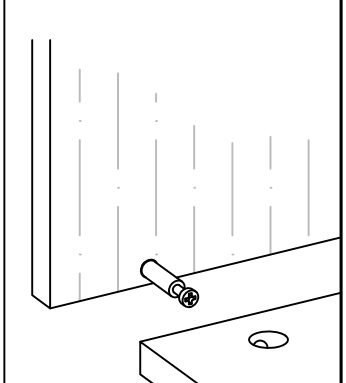
Connect the male camlock as directed in the assembly instructions with a screwdriver.

**1** DO NOT OVER TIGHTEN



Put the male camlock into the entry hole.

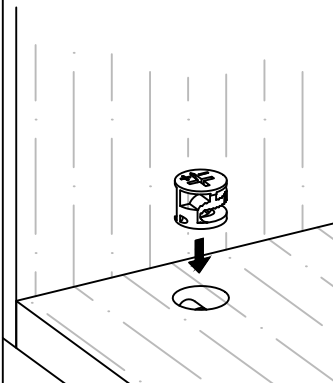
**2**



Insert the female camlock as shown in the instruction.

Note: ensure that the arrow on the top of the camlock points toward the entry hole for the male camlock.

**3**

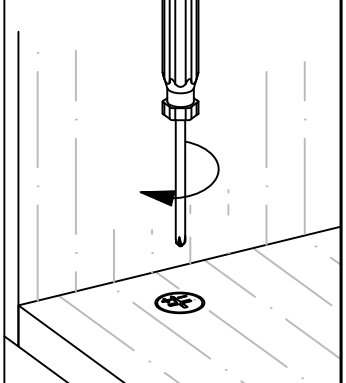


Screw the female camlock clockwise with a screwdriver.

You will feel a click when the camlock is locked in place.

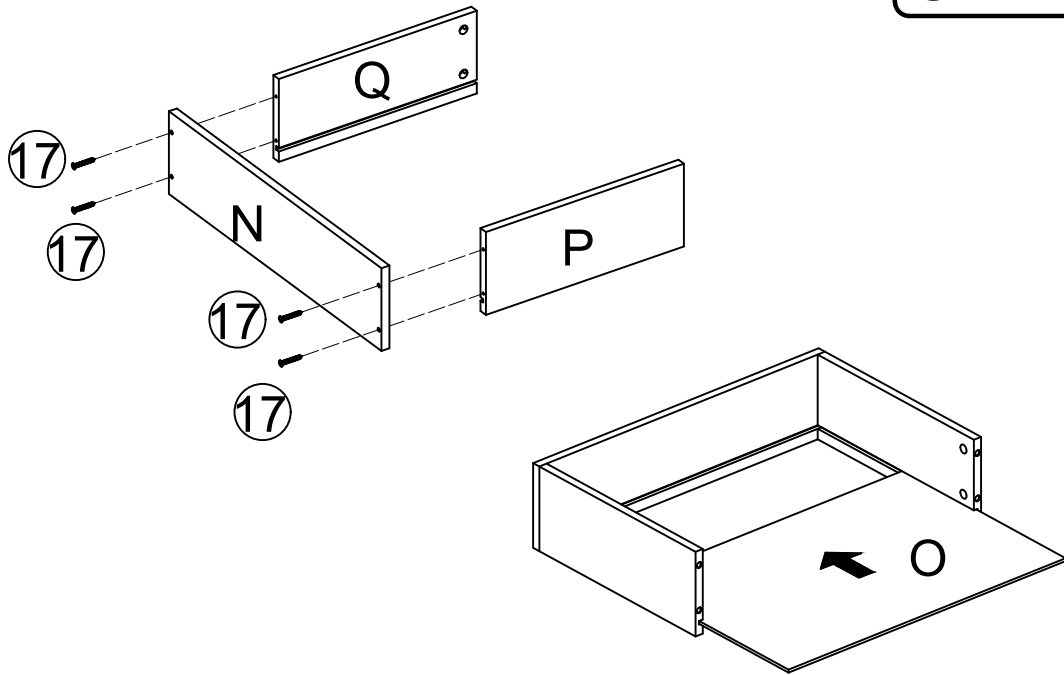
The camlock is now completed.

**4**



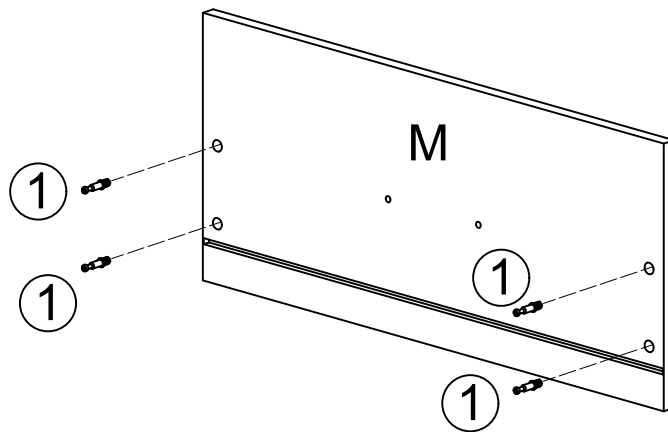
### STEP 1

17  x4

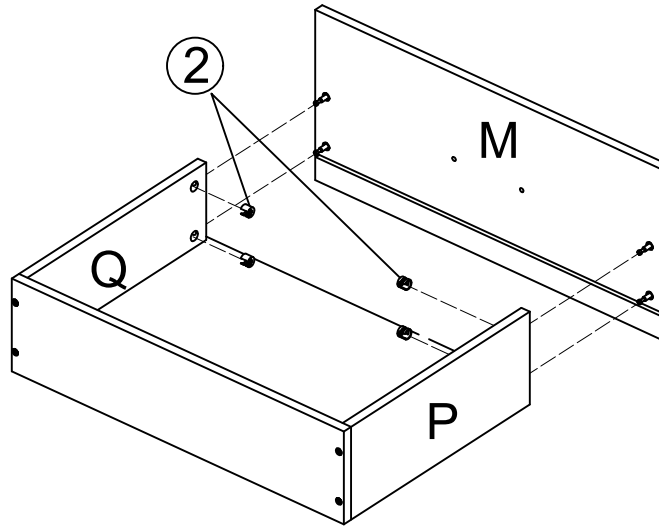
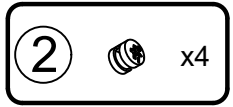


### STEP 2

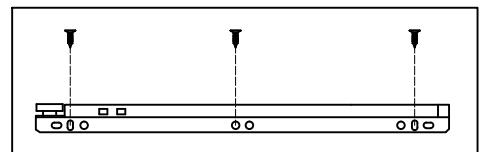
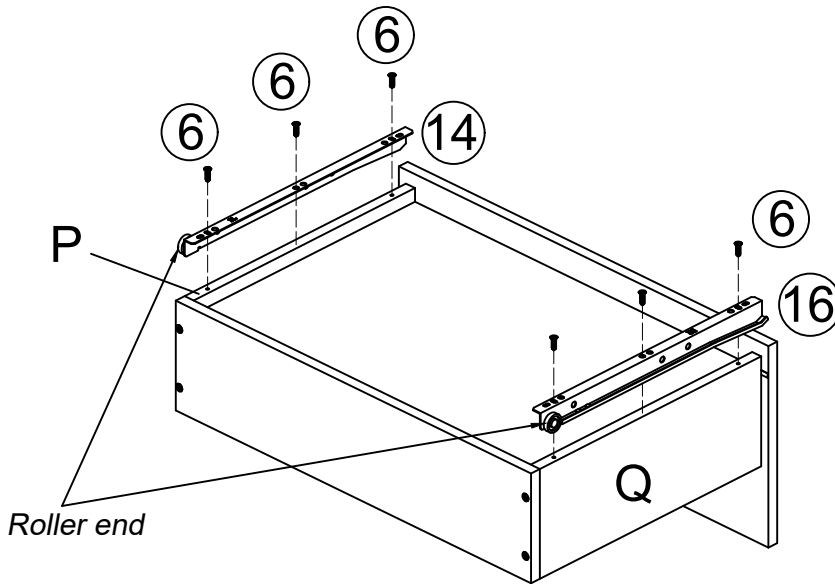
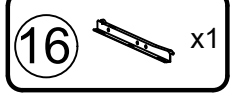
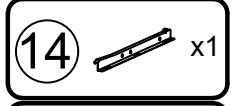
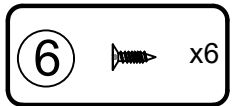
1  x4



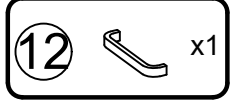
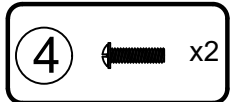
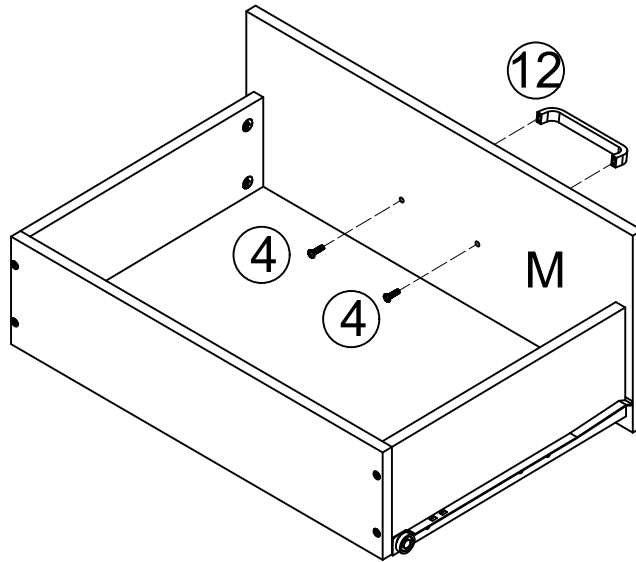
### STEP 3



### STEP 4



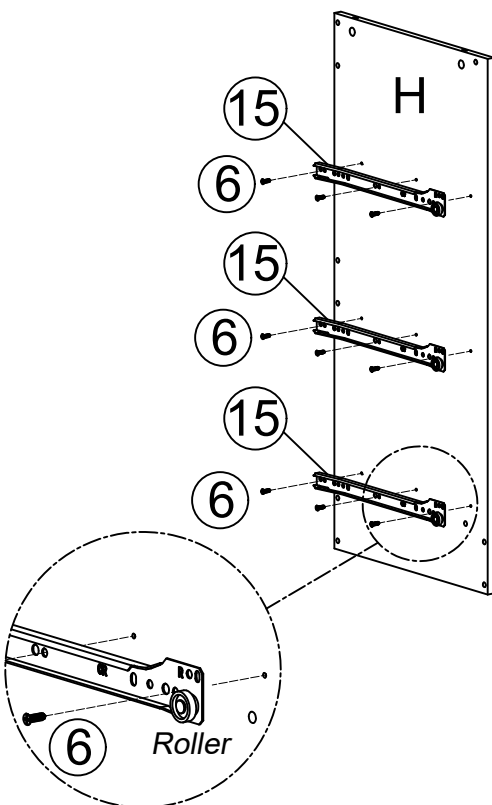
## STEP 5



### NOTICE:

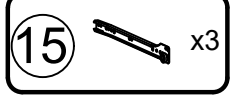
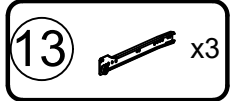
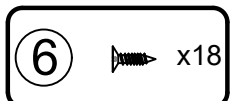
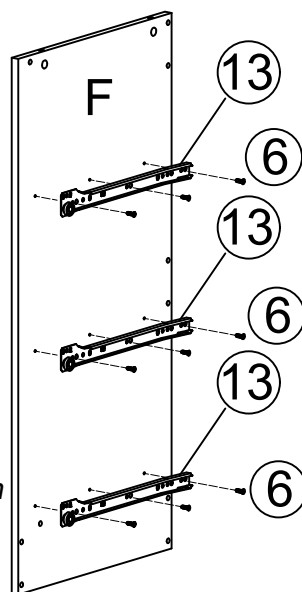
The installation for all the three drawers is base on the five steps above.

## STEP 6

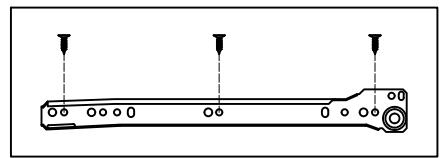


Front

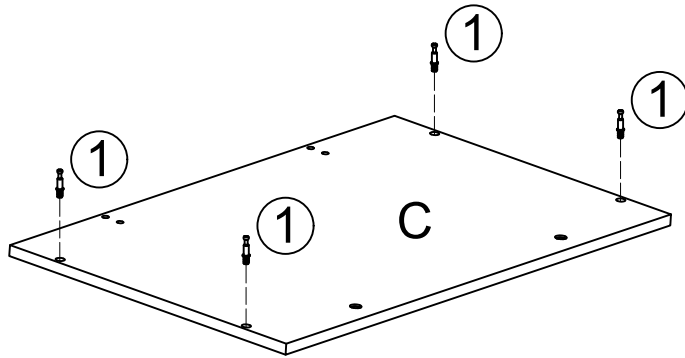
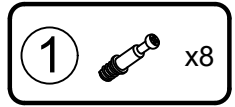
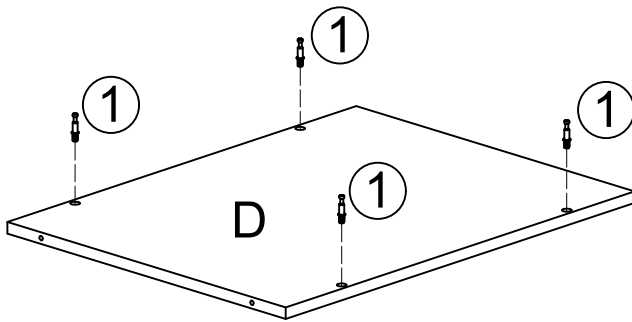
Roller is at bottom



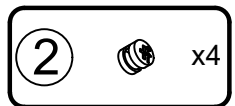
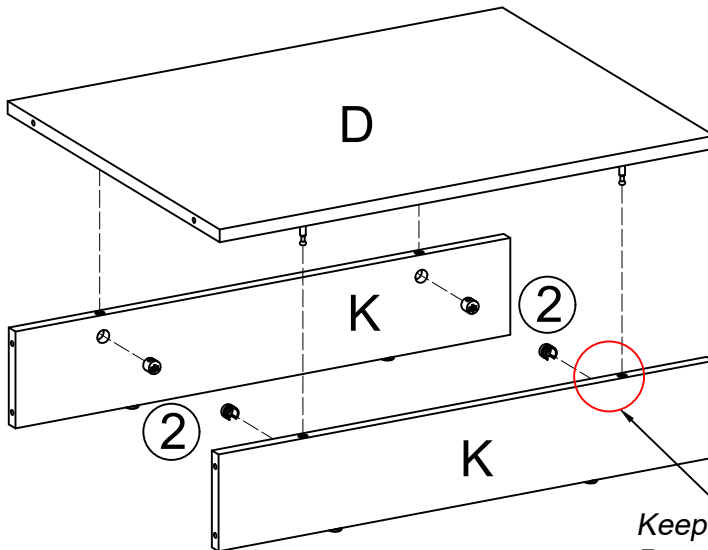
6 Roller



## STEP 7



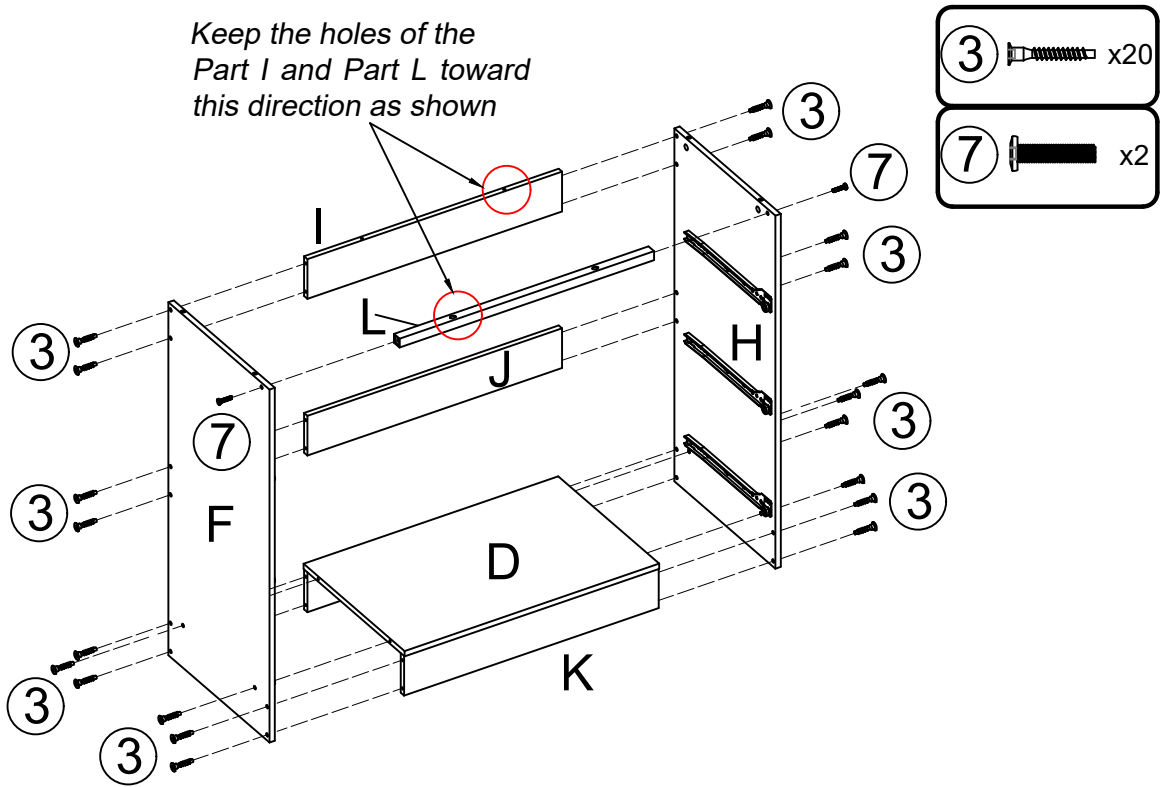
## STEP 8



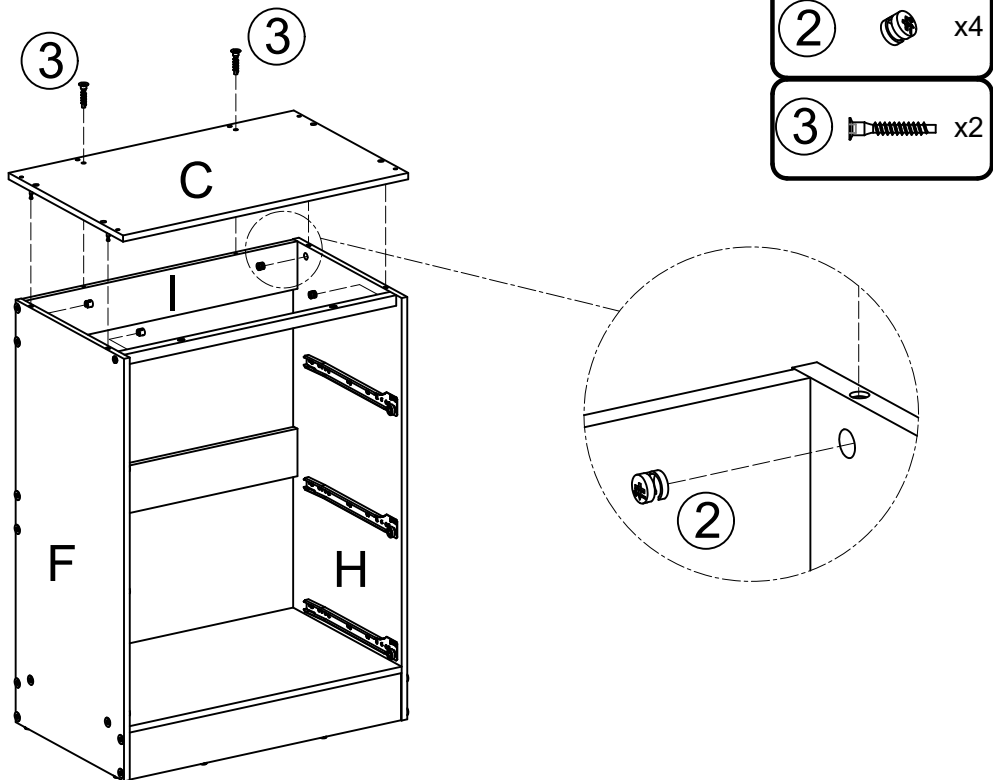
Keep the holes of the Part K toward this direction as shown

### STEP 9

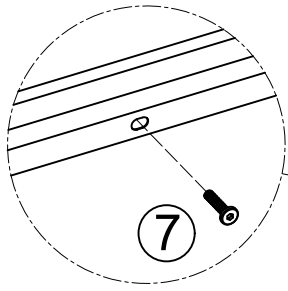
Keep the holes of the Part I and Part L toward this direction as shown



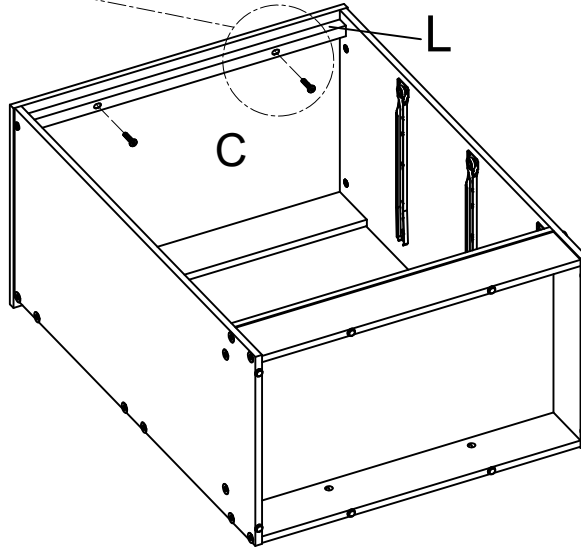
### STEP 10



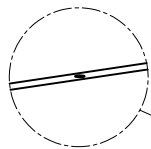
### STEP 11



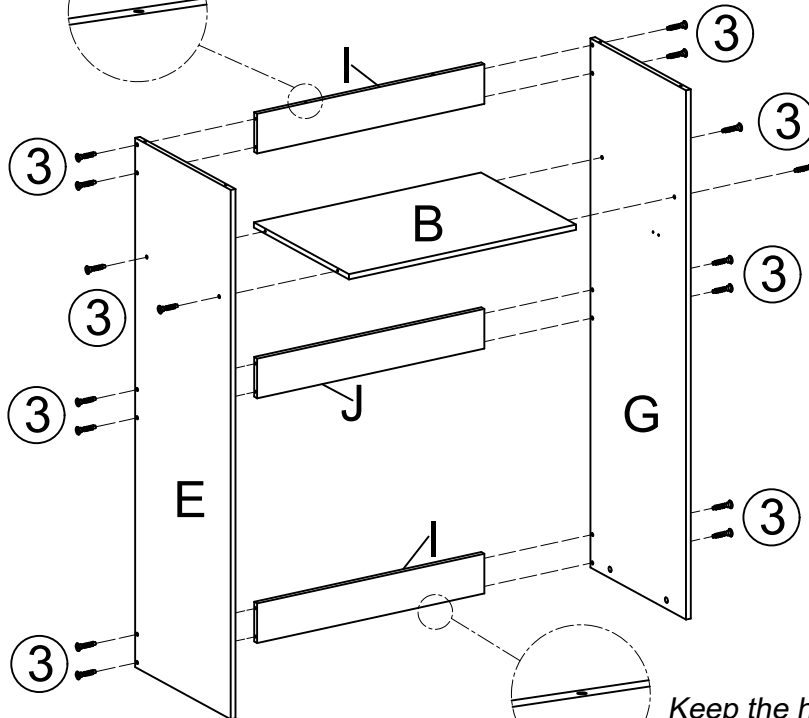
7  x2



### STEP 12

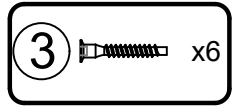
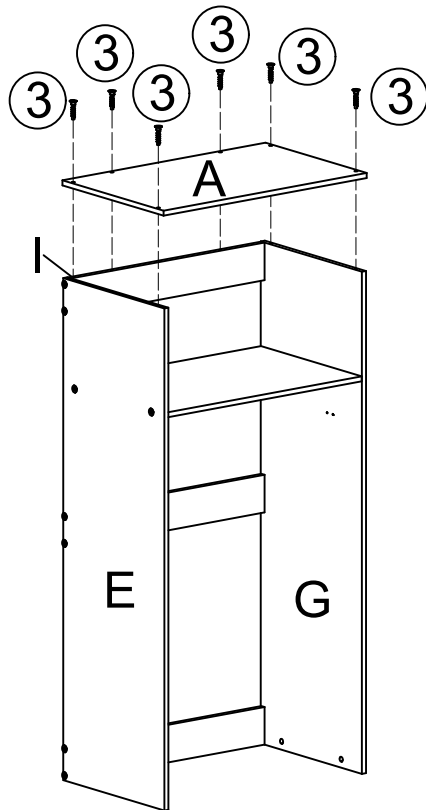


3  x16

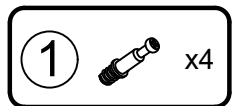
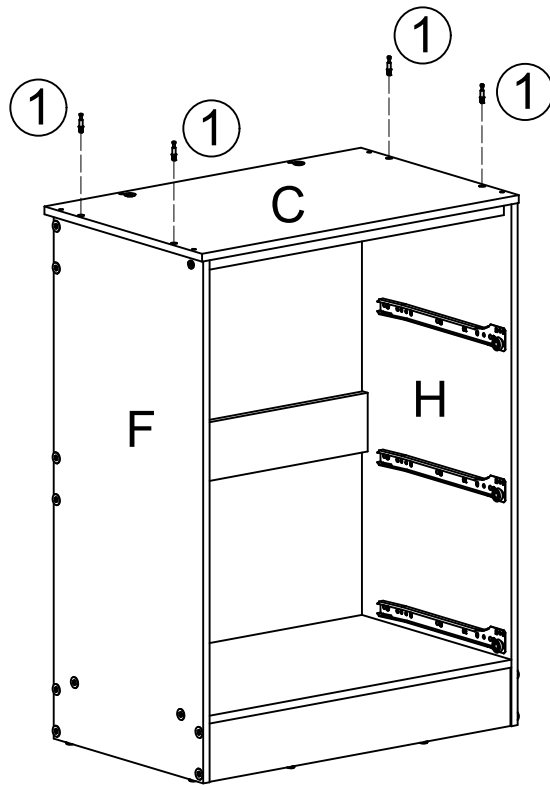


Keep the holes of the Part I toward this direction as shown

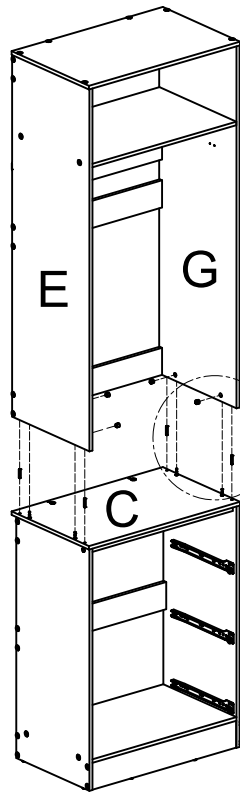
**STEP 13**





**STEP 14**

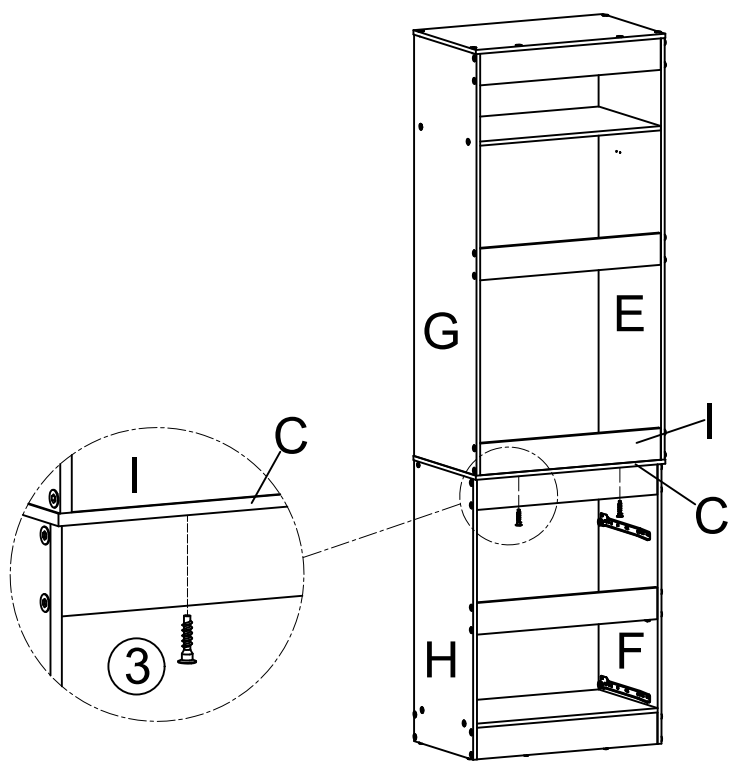



### STEP 15



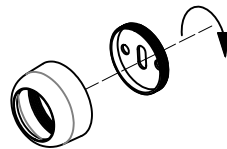
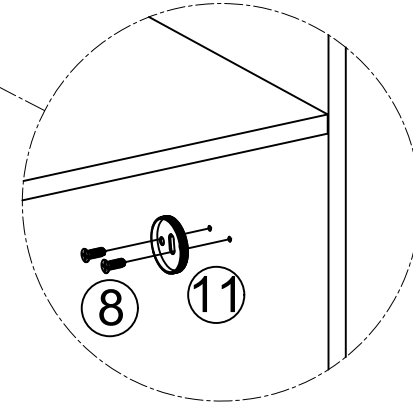
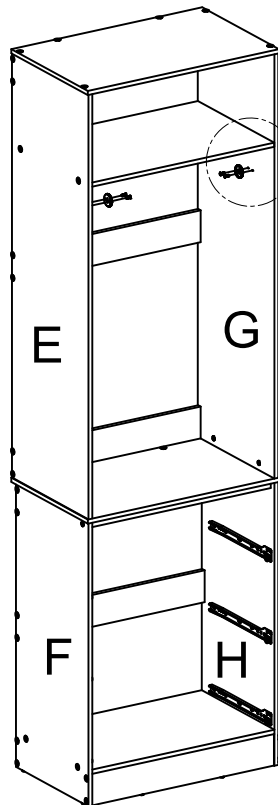
- ②  x4
- ⑤  x4

### STEP 16



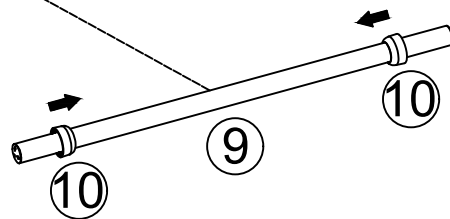
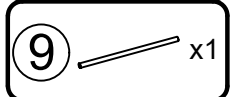
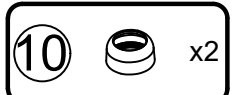
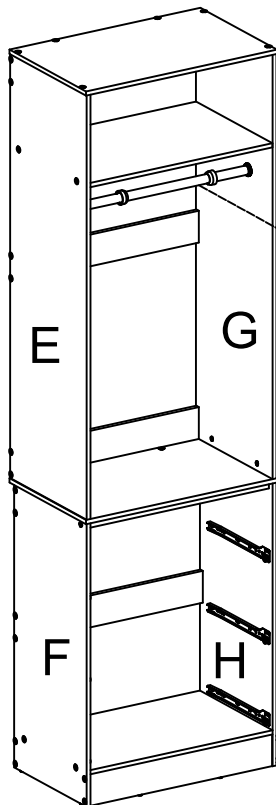
- ③  x2

### STEP 17



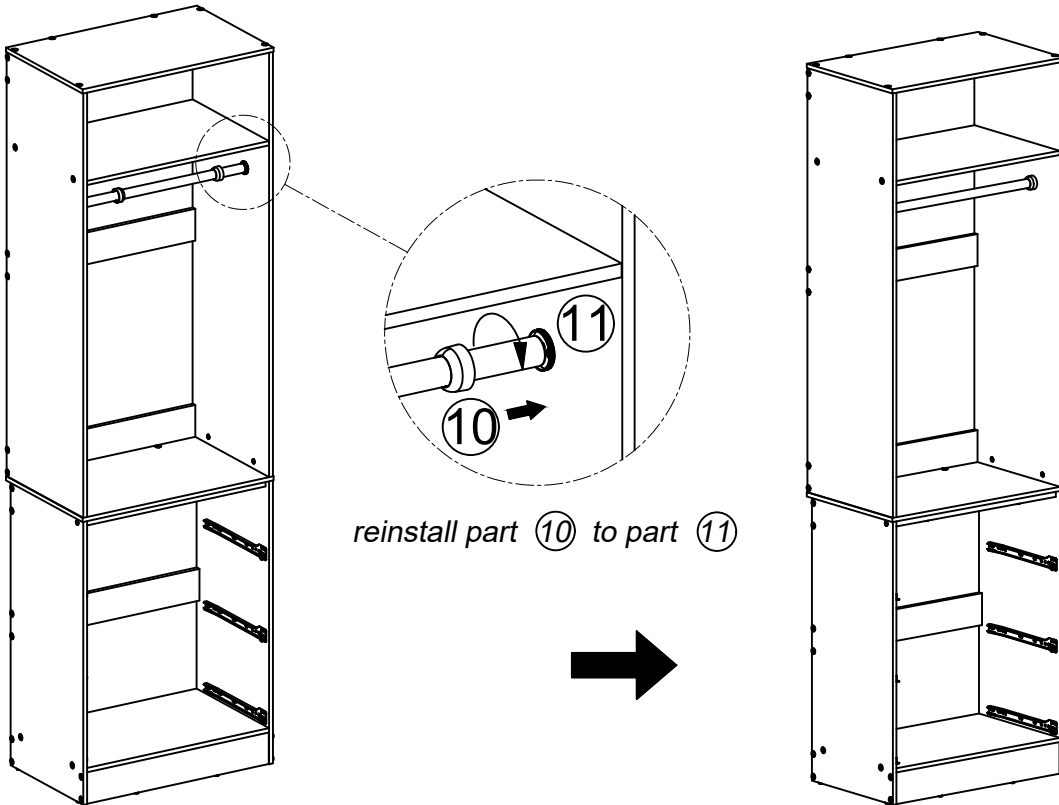
Please rotate and remove parts (10) and (11) as instructed.  
Note: If necessary, please wear protective gloves during this step to avoid hand injuries.

### STEP 18

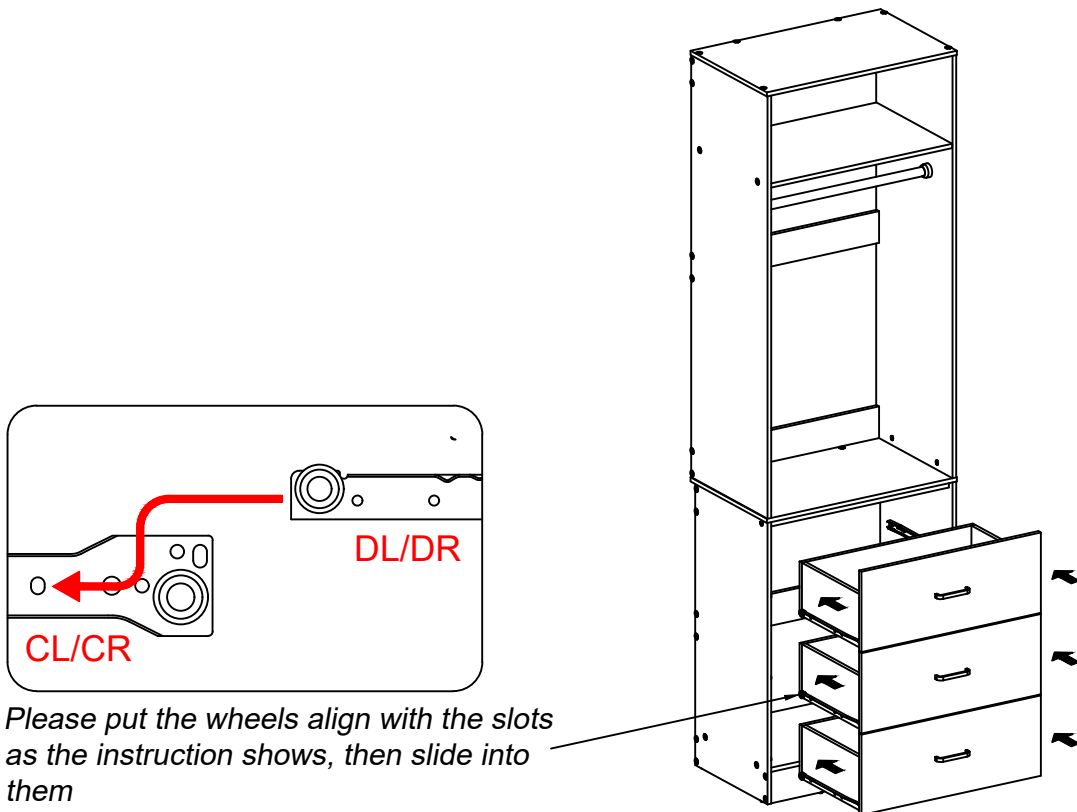


Please slide part (10) onto the rod part (9) with the threads facing outwards.

## STEP 19

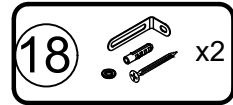


## STEP 20



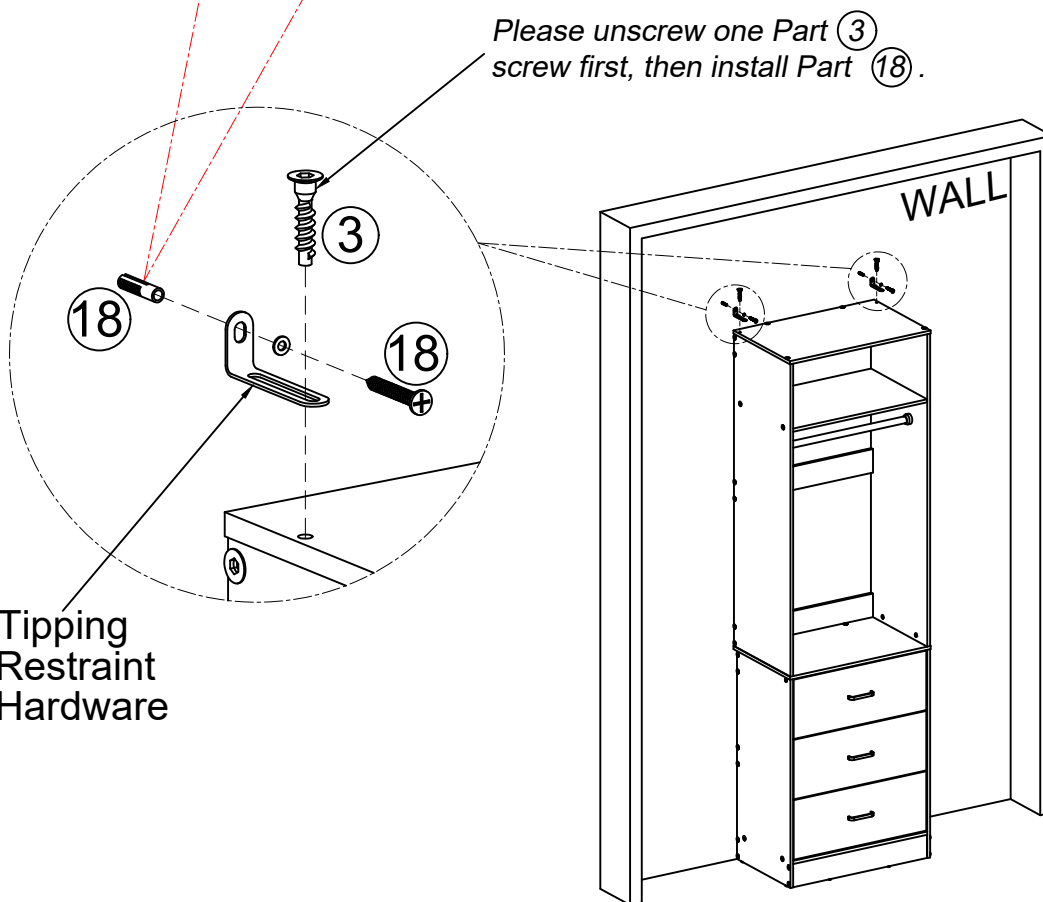
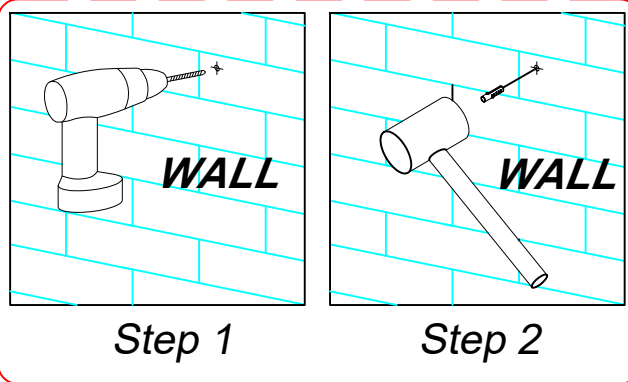
## STEP 21

### TIPPING RESTRAINT HARDWARE



**Note:** We have included two Tipping Restraint Hardware set for this Unit. When properly installed, this restraint can provide protection against the unexpected tipping of the Unit due to small tremors, bumps or climbing. We strongly recommend mounting this hardware to a wall stud and your Unit.

**Note:** You must install the Tipping Restraint Hardware with the unit in use to prevent any accidents or damage to the unit.



Tipping Restraint Hardware