

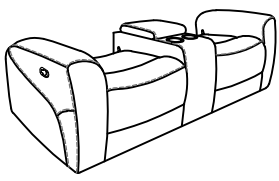

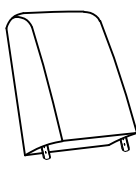

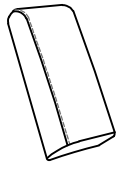
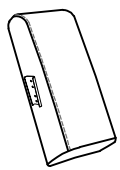
Assembly Instruction

Double Reclining Love Seat With Center Console



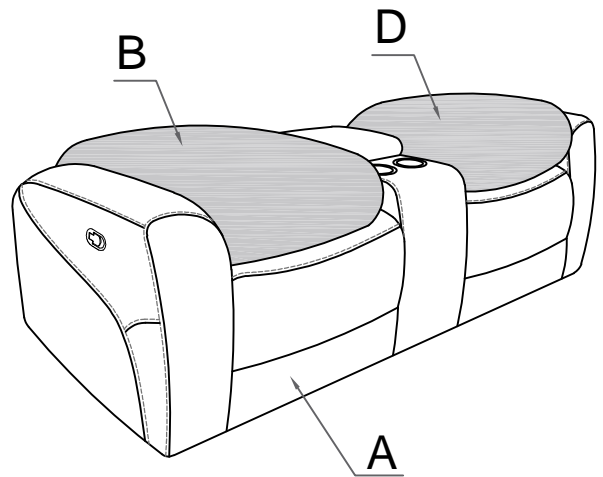
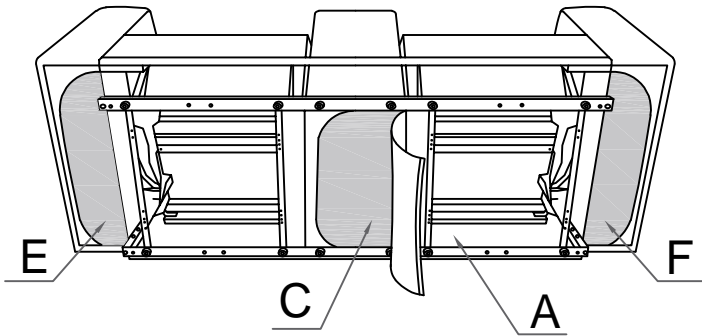
Note: Do not use power tools for assembly. Power tools increase the risk of over tightening which lead to splitting or cracking the wood.

COMPONENT LIST

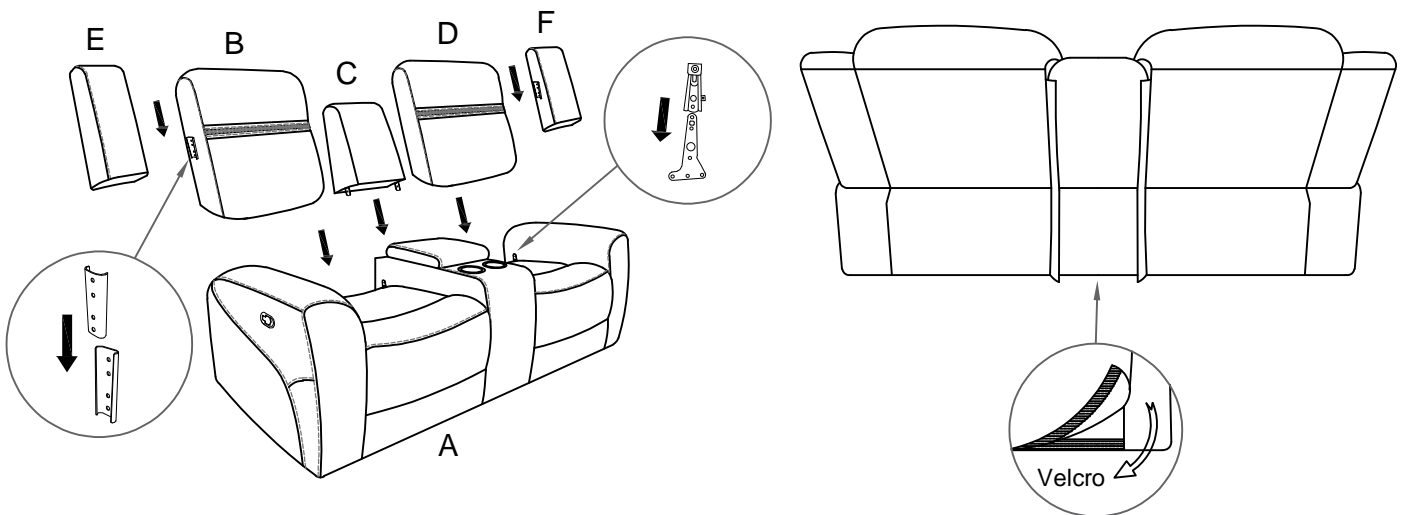
No	Drawing	Description	Qty
A		SEAT	1 PC
B		LSF BACK REST	1 PC
C		CONSOLE BACK REST	1 PC
D		RSF BACK REST	1 PC
E		LSF EAR	1 PC
F		RSF EAR	1 PC

Step #1

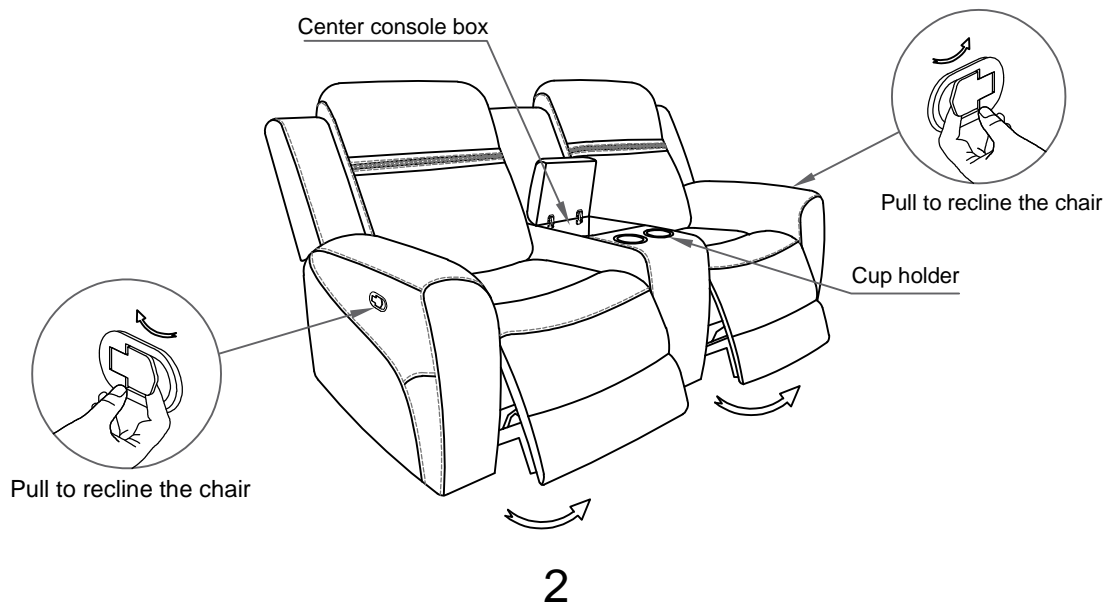
Console back rest(C) and Ears(E/F) are stored under metal frame



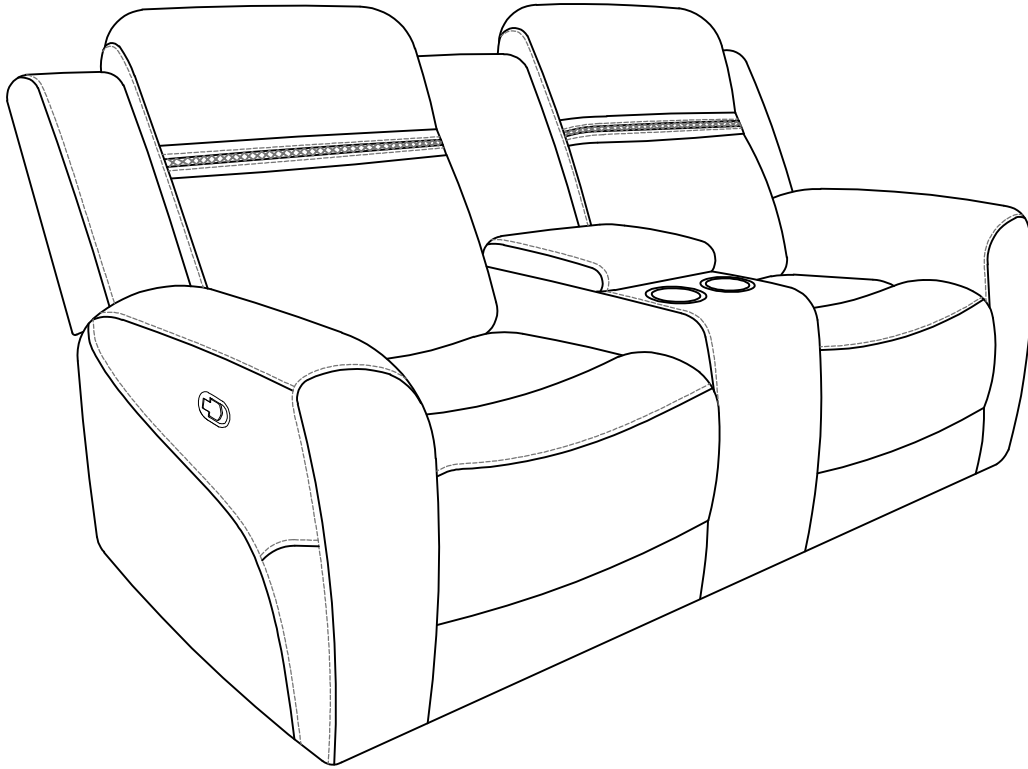
Step #2



Step #3



COMPLETED



Care Instructions for Polished Microfiber Furniture:

In order to maintain the original appearance of your Polished Microfiber Furniture, please follow below simple care procedures:

- Avoid exposing furniture directly to sunlight or heating and air conditioning outlets. Sunlight and/or exposure to heating and air conditioning outlets will fade/damage Polished Microfiber.
- Vacuum or wipe with a soft cloth to remove dust.
- Hardware may loosen over time. Periodically check to make sure all connections are tight, Re-tighten if necessary.



For items use on wooden floor, hard surfaces or carpets, it is recommended to install protective pads under all legs and supports to avoid/prevent from damages/scratches and discoloration.