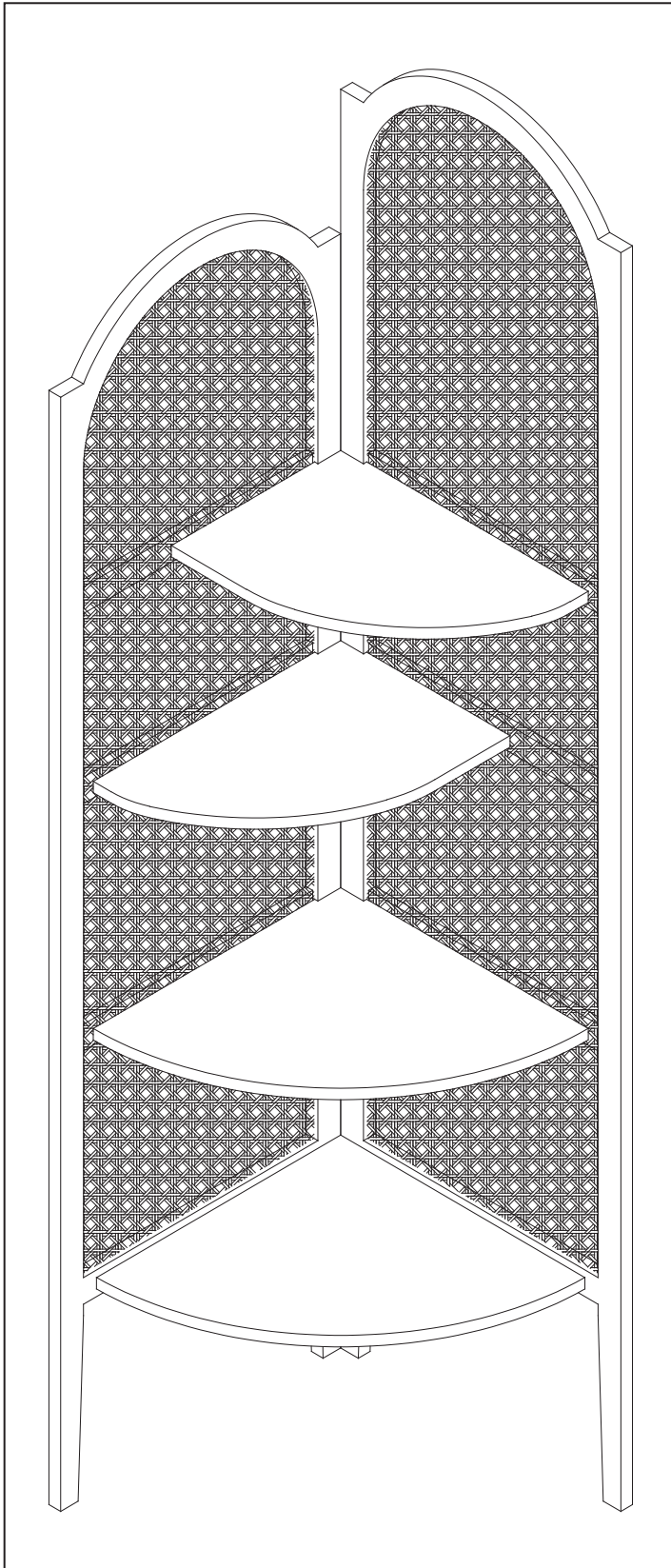
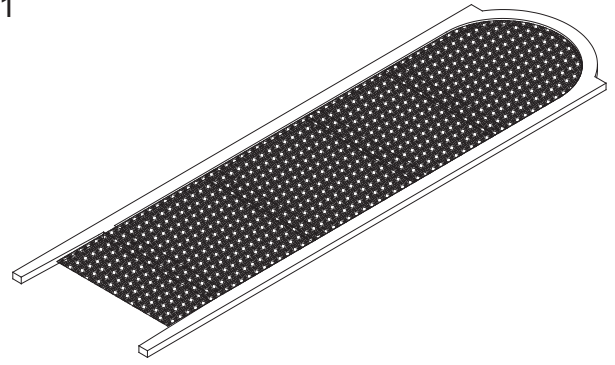


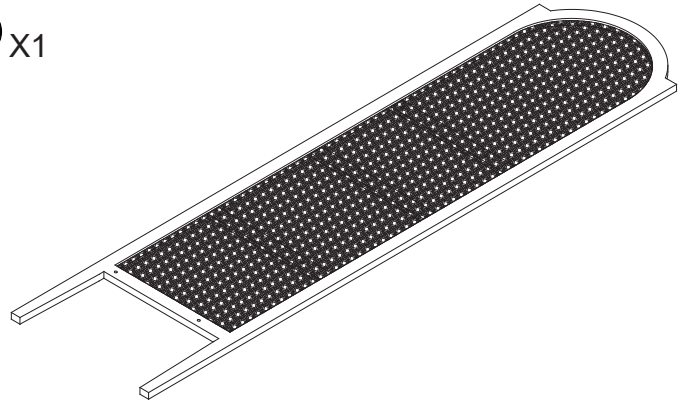
Assembly Instruction



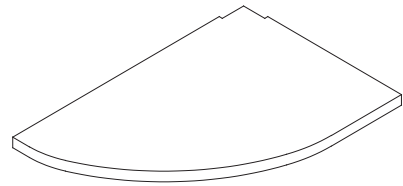
1 X1



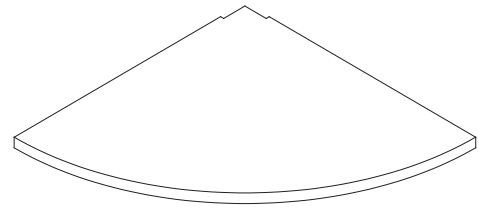
2 X1



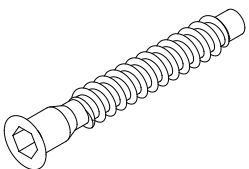
3 X2



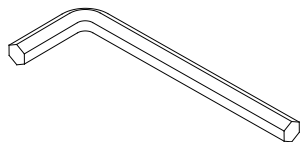
4 X1



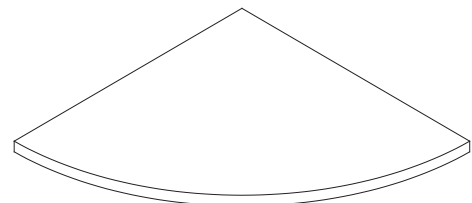
AX16



BX1

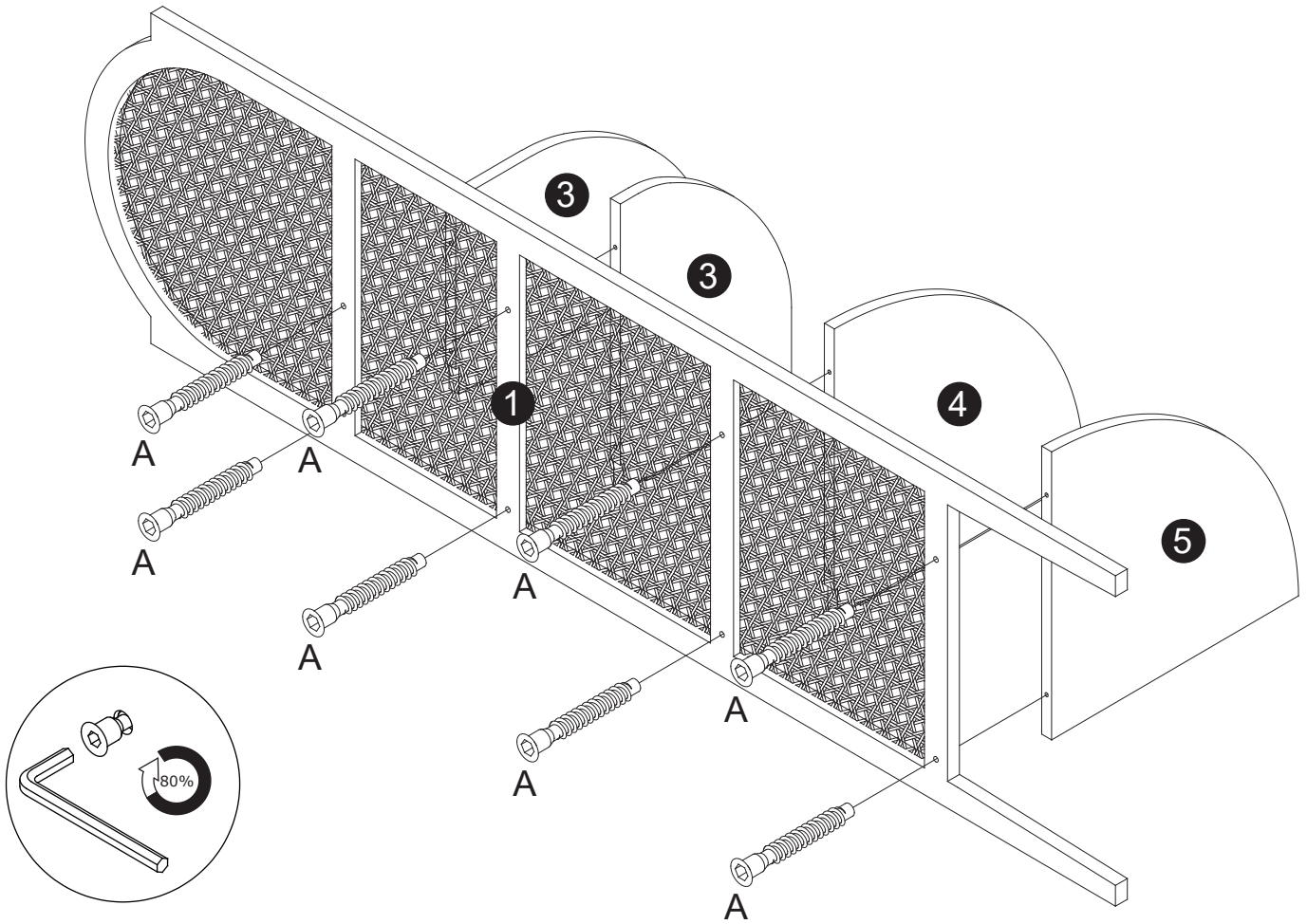


5 X1

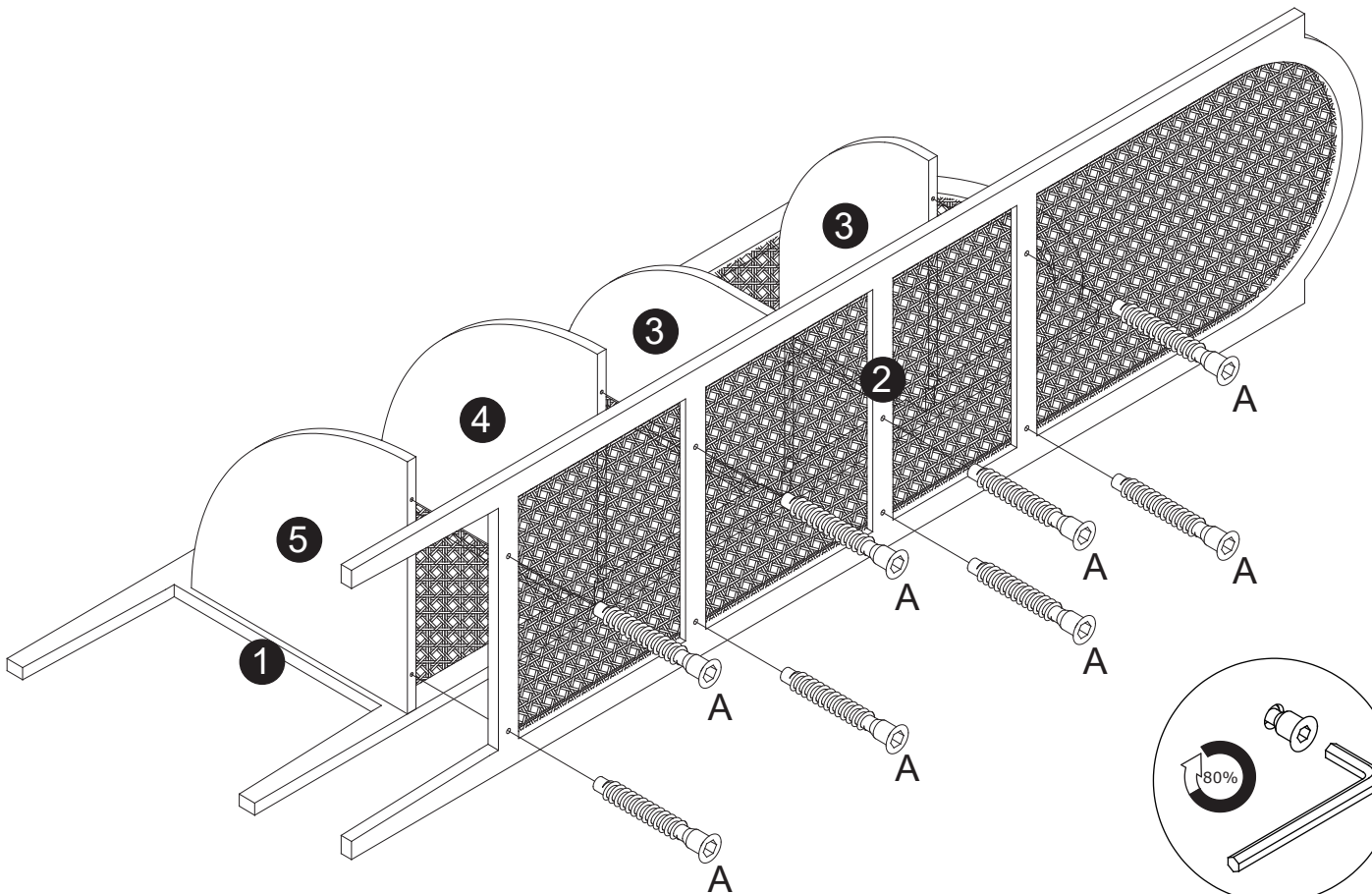


Assembly Instruction

STEP 1



STEP 2



Assembly Instruction

STEP 3

