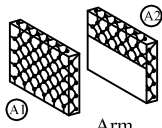
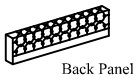
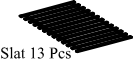
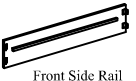
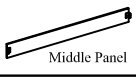
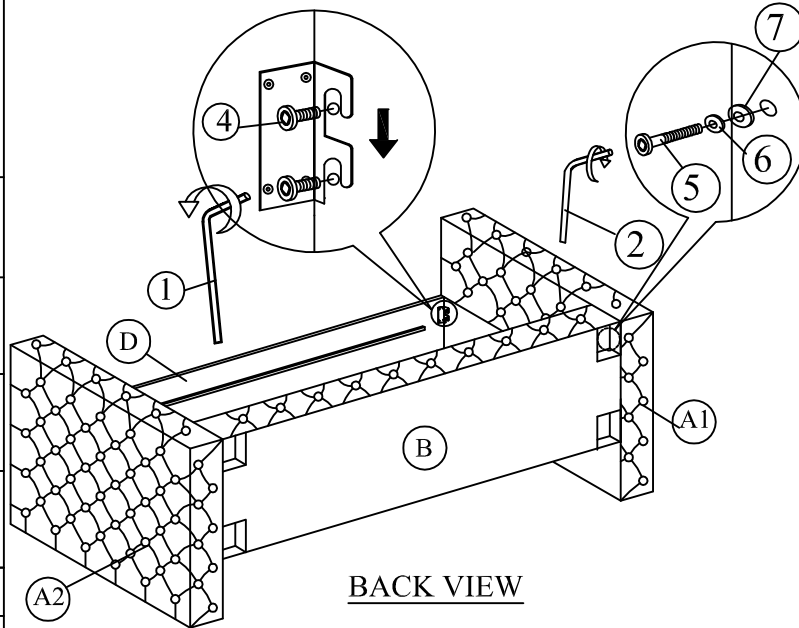


ASSEMBLY INSTRUCTION

(4'6")

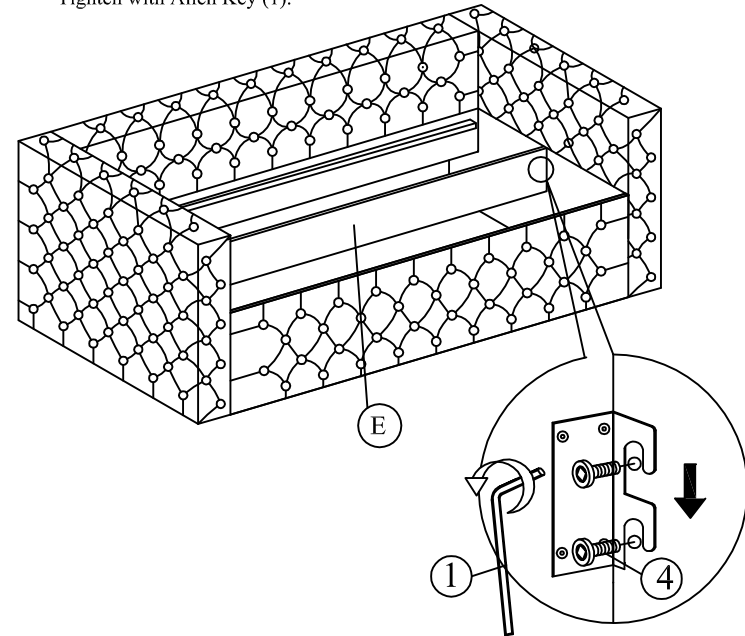
A	 Arm	1 pc
B	 Back Panel	1 pc
C	 Slat 13 Pcs	1 pc
D	 Front Side Rail	1 pc
E	 Middle Panel	1 pc
Packing Hardware		





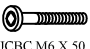


Step 1: Attach the back panel (B) to arm (A). Attach side rail (D) to arm (A) by pushing the bracket down to fit it. Tighten with Allen Key (1).



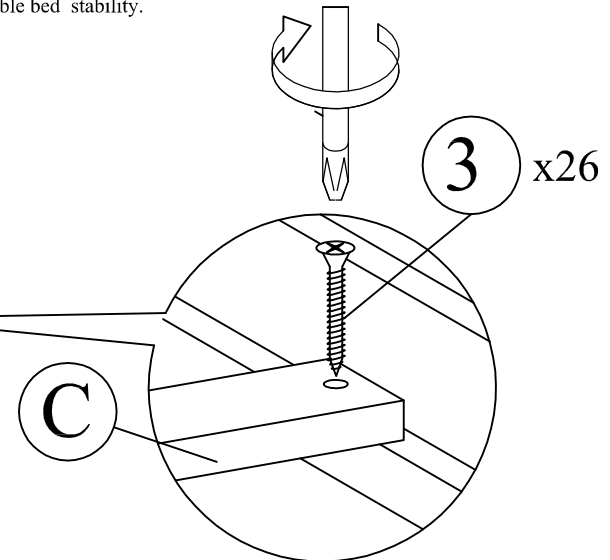
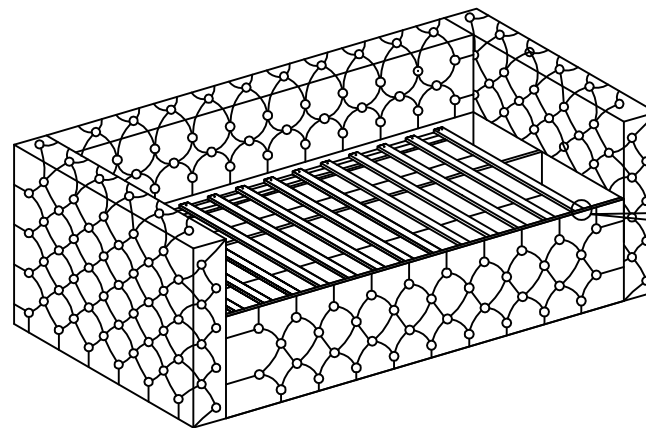
BACK VIEW

Step 2: Attach middle panel (E) to arm (A) by pushing the bracket down to fit it. Tighten with Allen Key (1).

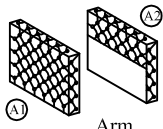
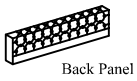
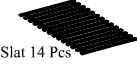
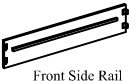
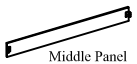
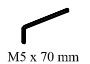
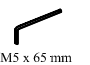


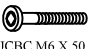




1	 M5 x 70 mm	1 pc
2	 M5 x 65 mm	1 pc
3	 CSK M4 x 32mm	26 pcs
4	 JCBB M8 X 20	12 pcs
5	 JCBC M6 X 50	4 pcs
6	 SPRING WASHER	4 pcs
7	 FLAT WASHER	4 pcs

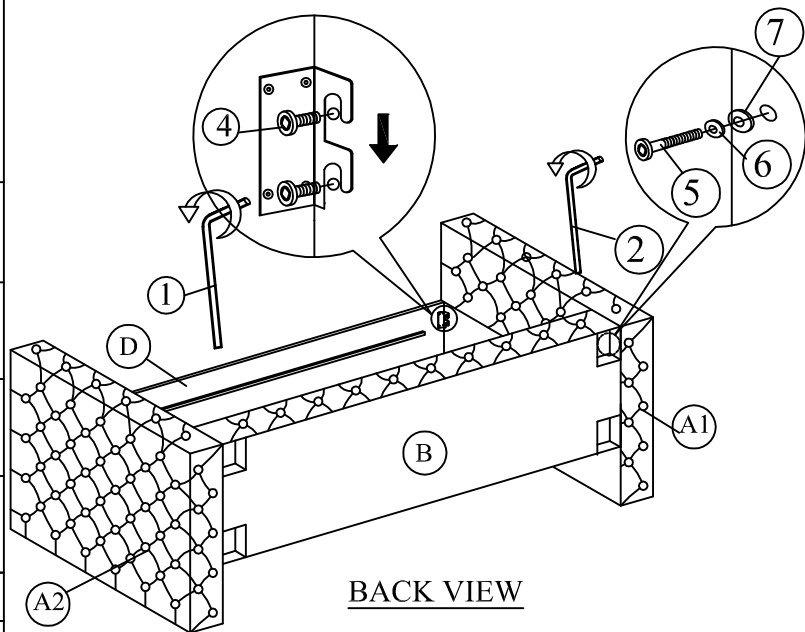
Step 3: Tighten the slats with CSK screw (3). The distance of the slats should be sufficient to obtain desirable bed stability.



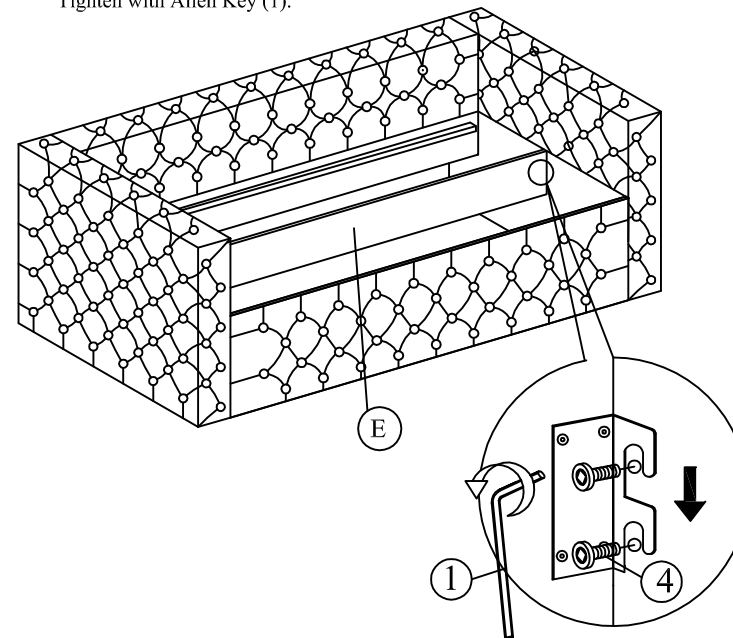
ASSEMBLY INSTRUCTION

(5')		
A		1 pc
B		1 pc
C		1 pc
D		1 pc
E		1 pc
Packing Hardware		
1		1 pc
2		1 pc
3		28 pcs
4		12 pcs
5		4 pcs
6		4 pcs
7		4 pcs

Step 1: Attach the back panel (B) to arm (A). Attach side rail (D) to arm (A) by pushing the bracket down to fit it. Tighten with Allen Key (1).



Step 2: Attach middle panel (E) to arm (A) by pushing the bracket down to fit it. Tighten with Allen Key (1).



Step 3: Tighten the slats with CSK screw (3). The distance of the slats should be sufficient to obtain desirable bed stability.

