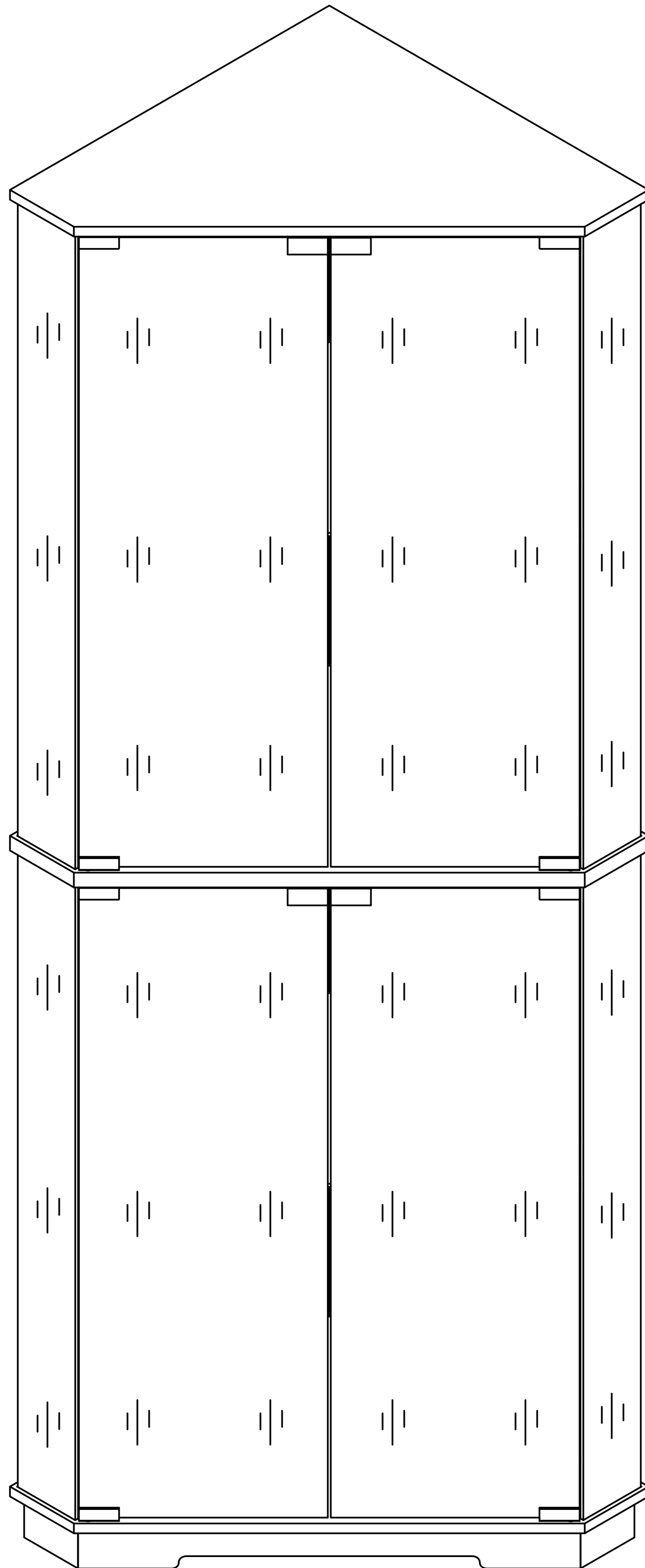
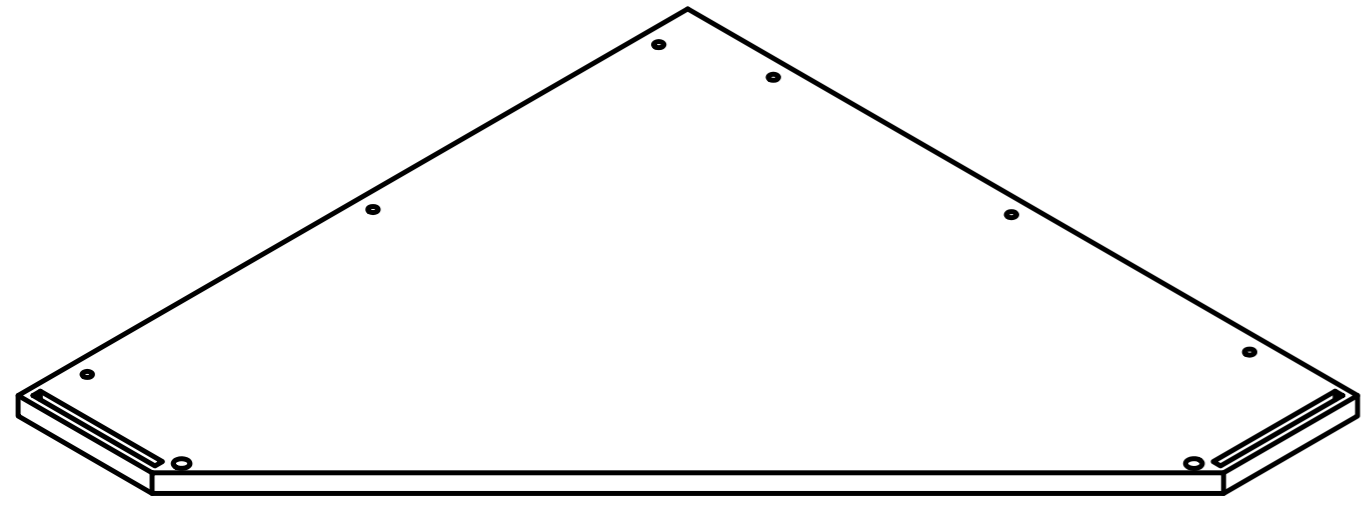
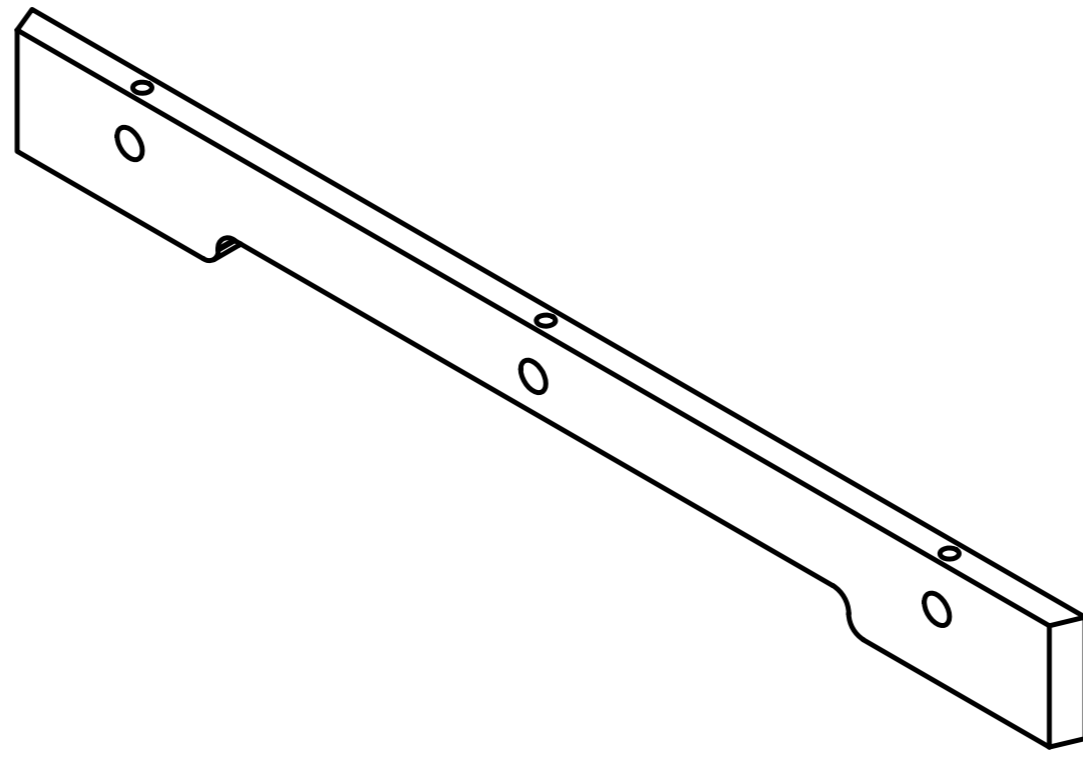


Product Installation Instructions

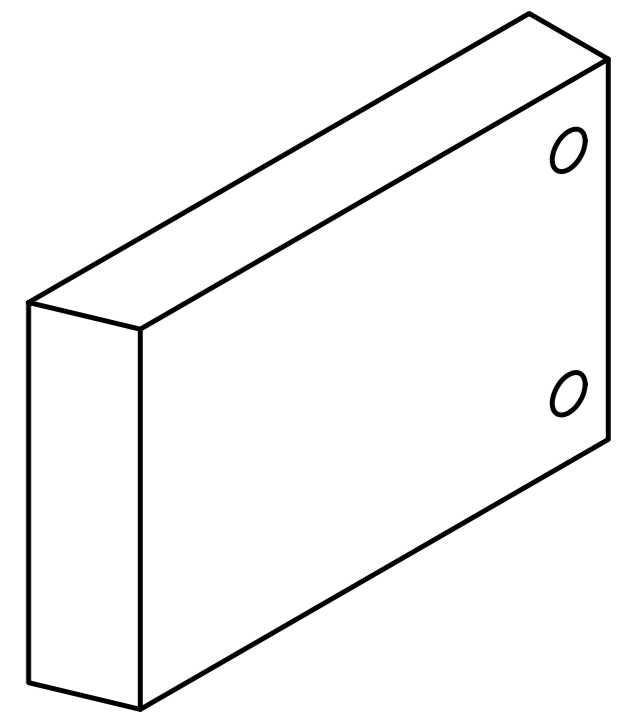




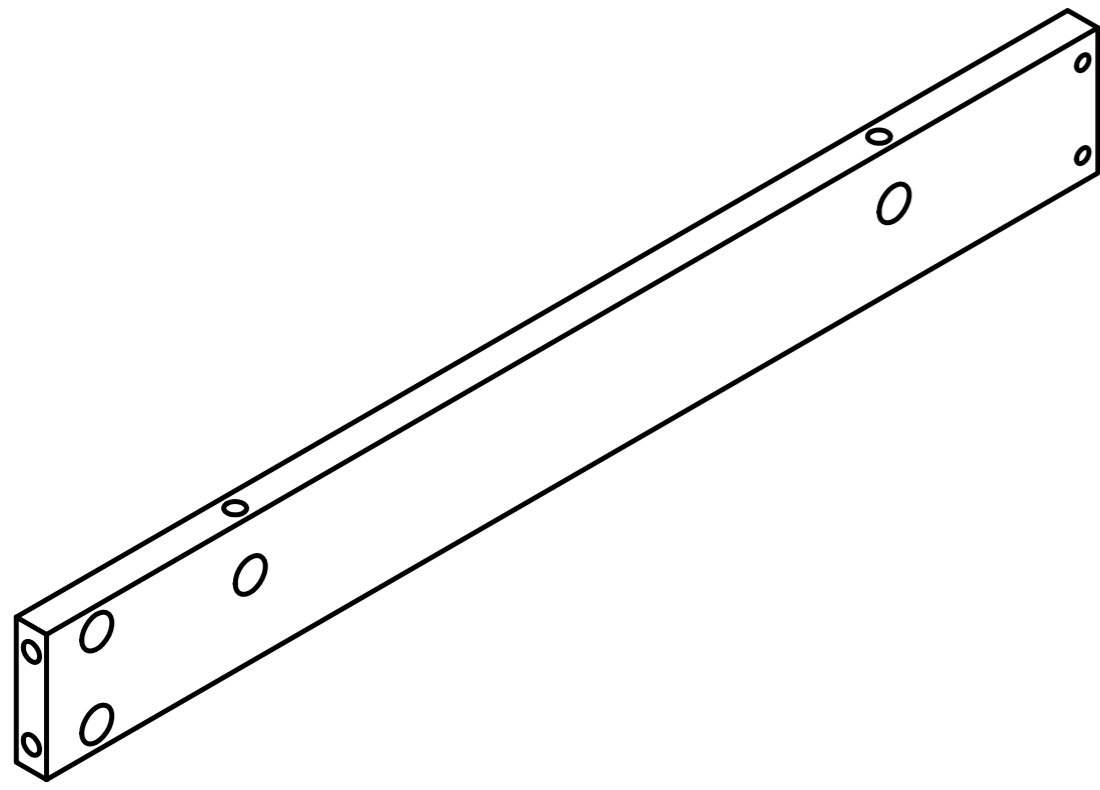
Ax1



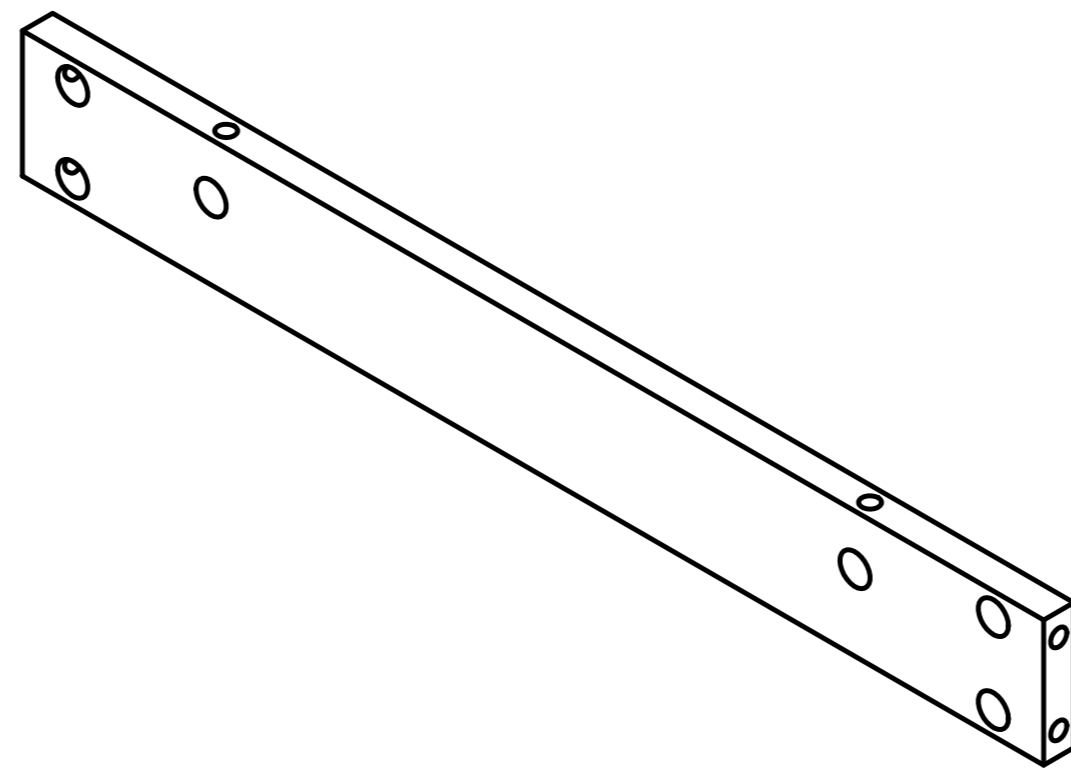
Bx1



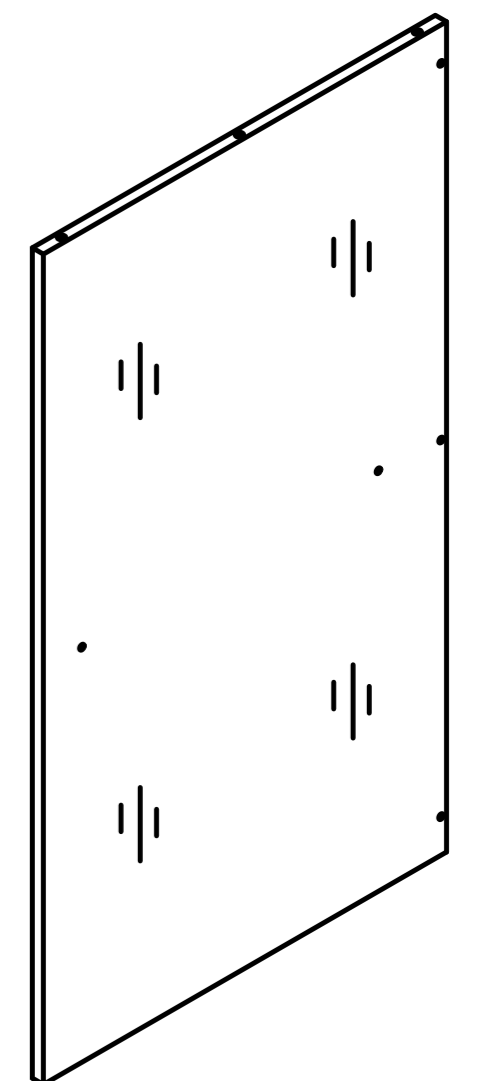
Cx2



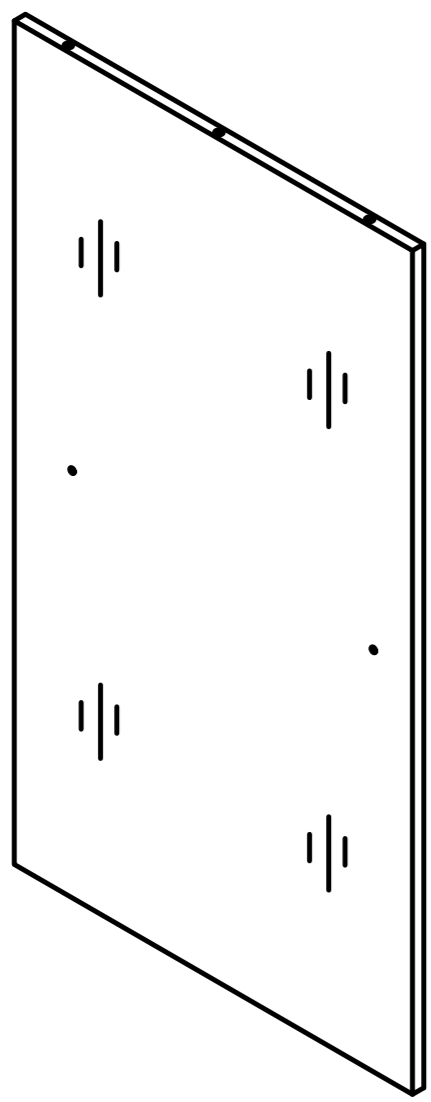
Dx1



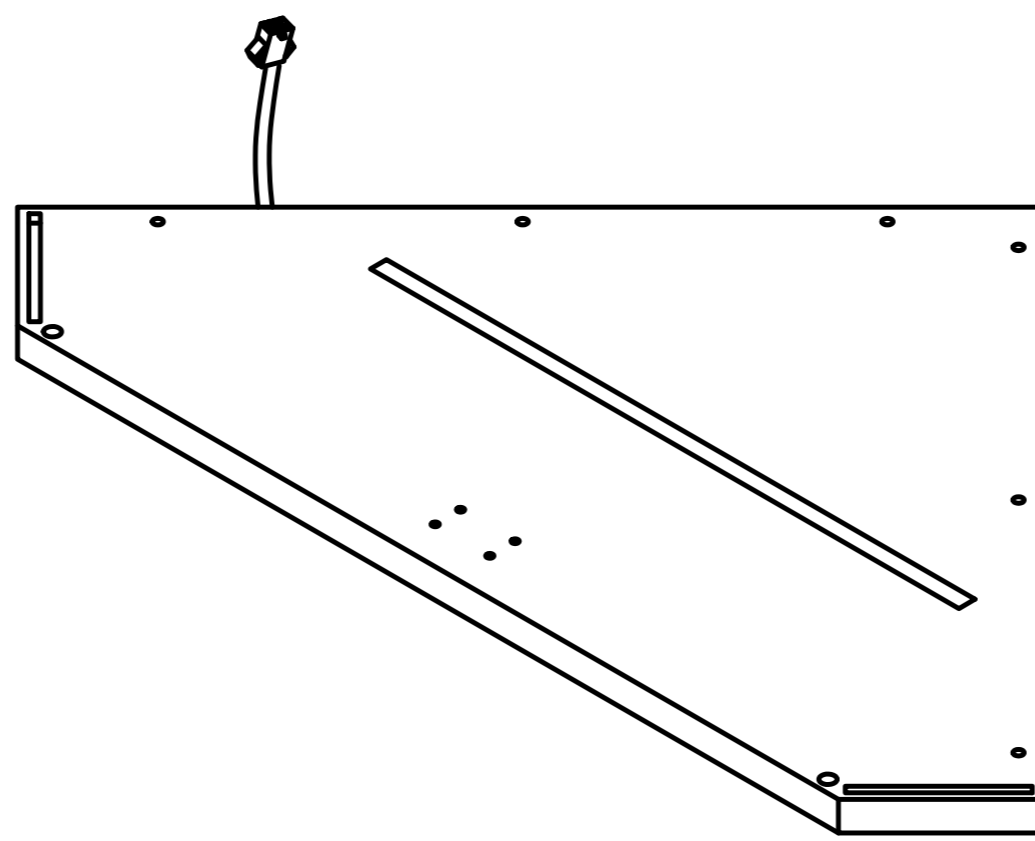
Ex1



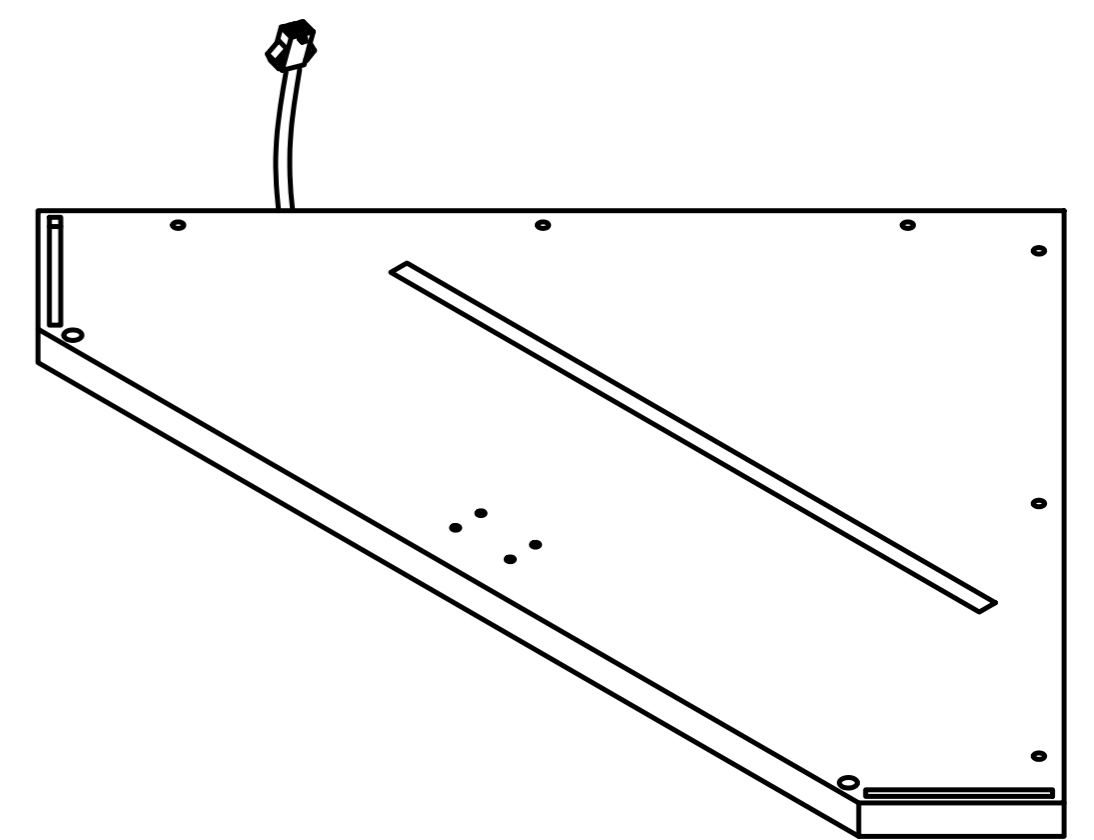
Fx2



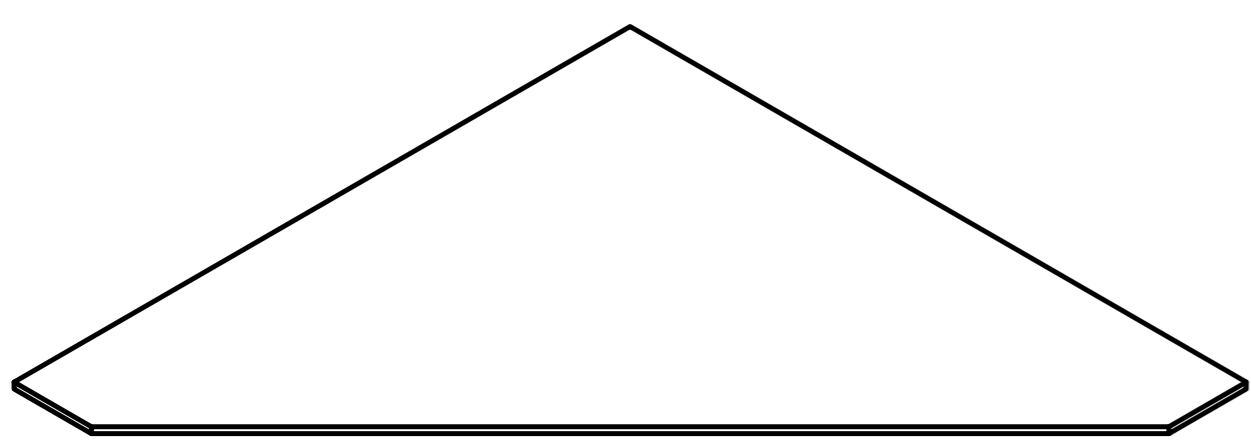
Gx2



Hx1



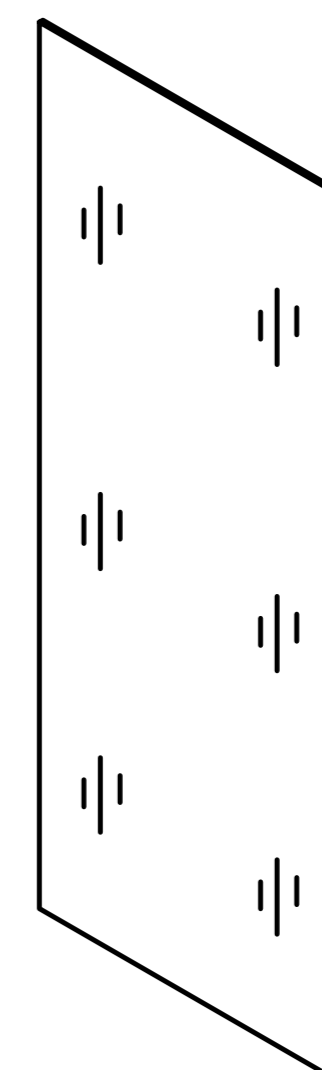
Ix1



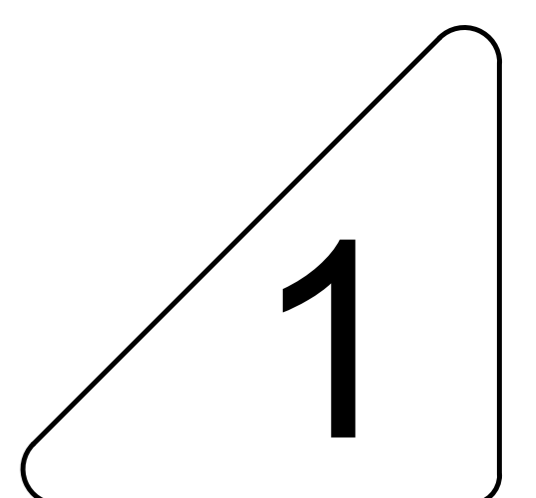
Jx2



Kx4

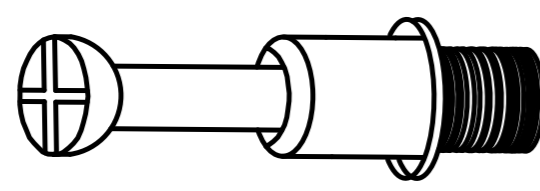
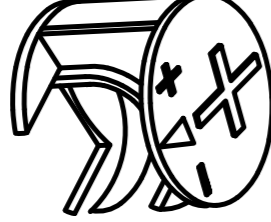

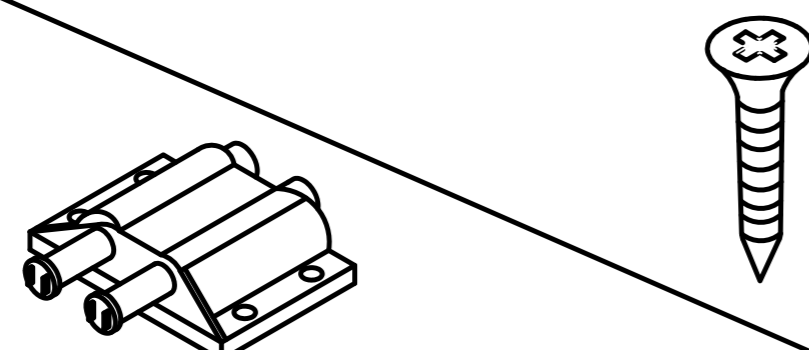
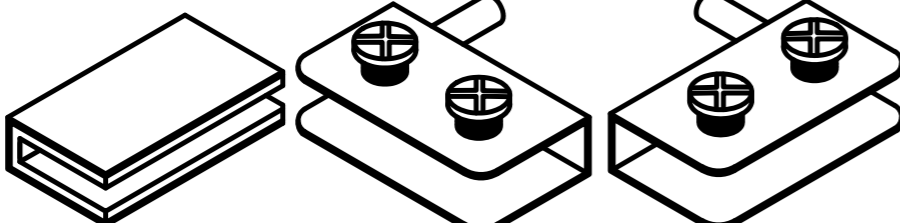

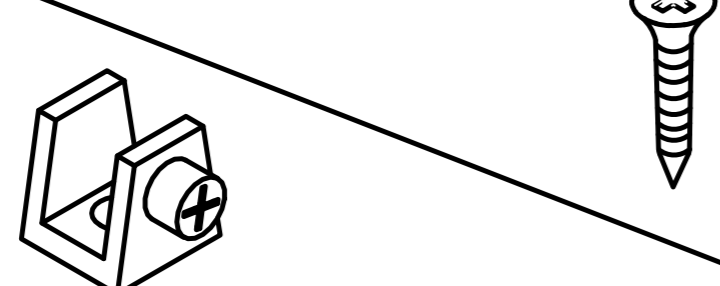
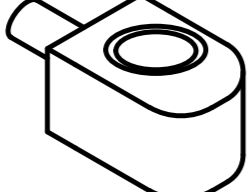
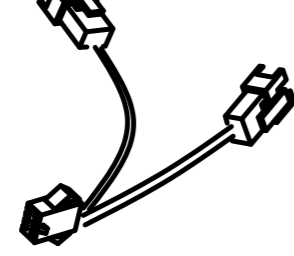
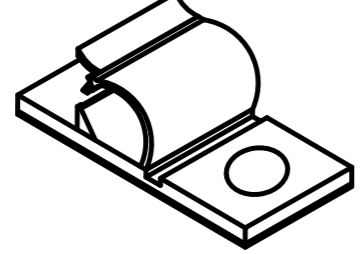
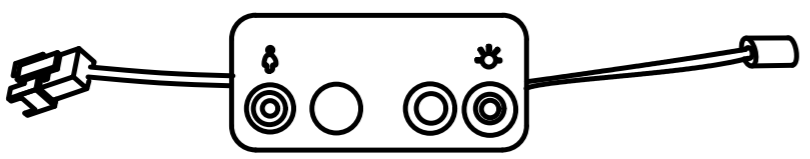
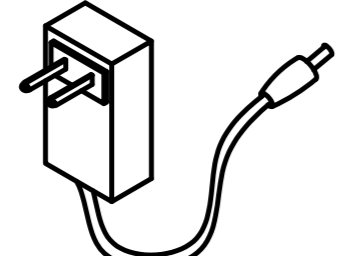


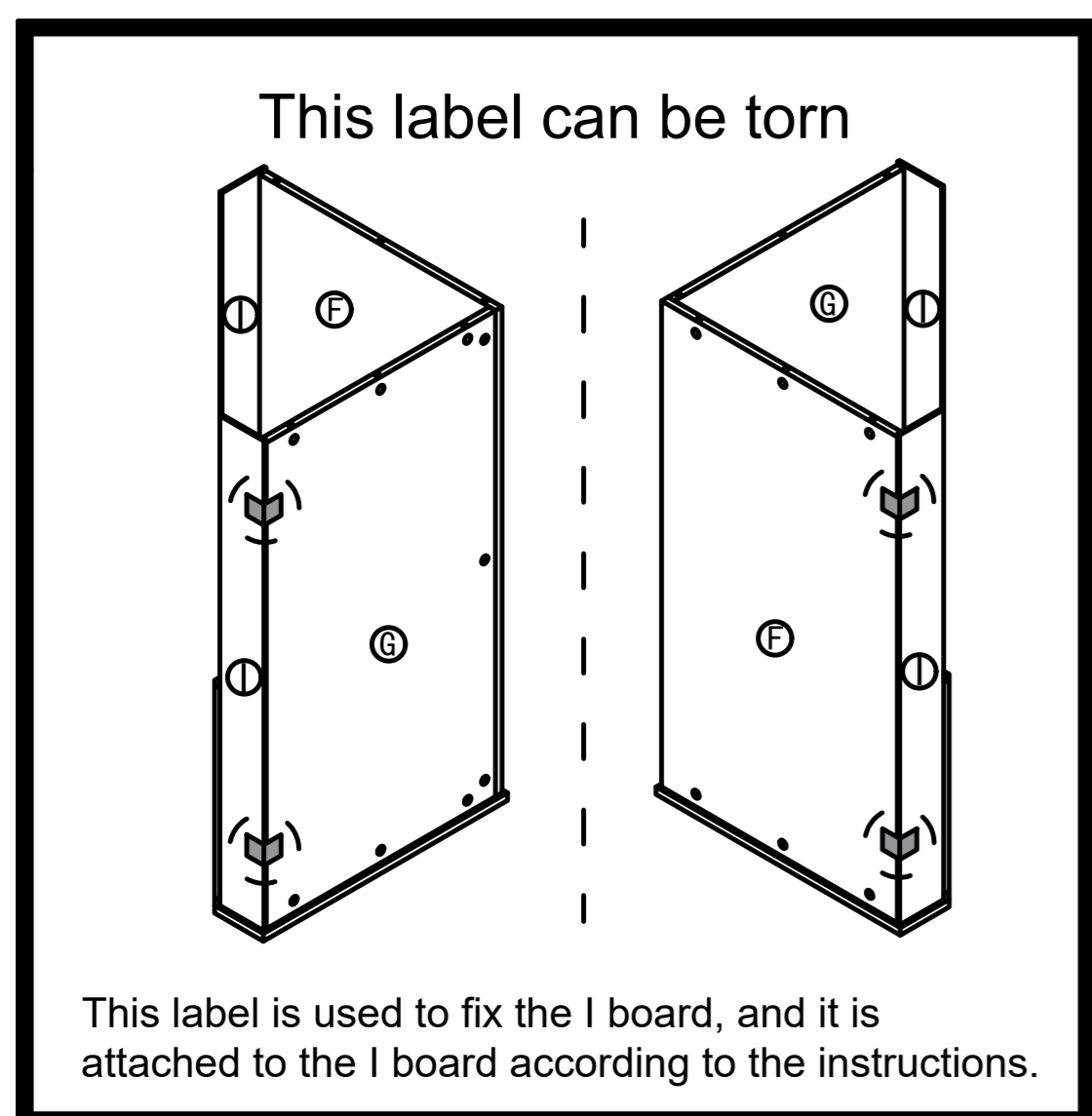
Lx4



1

Accessories list

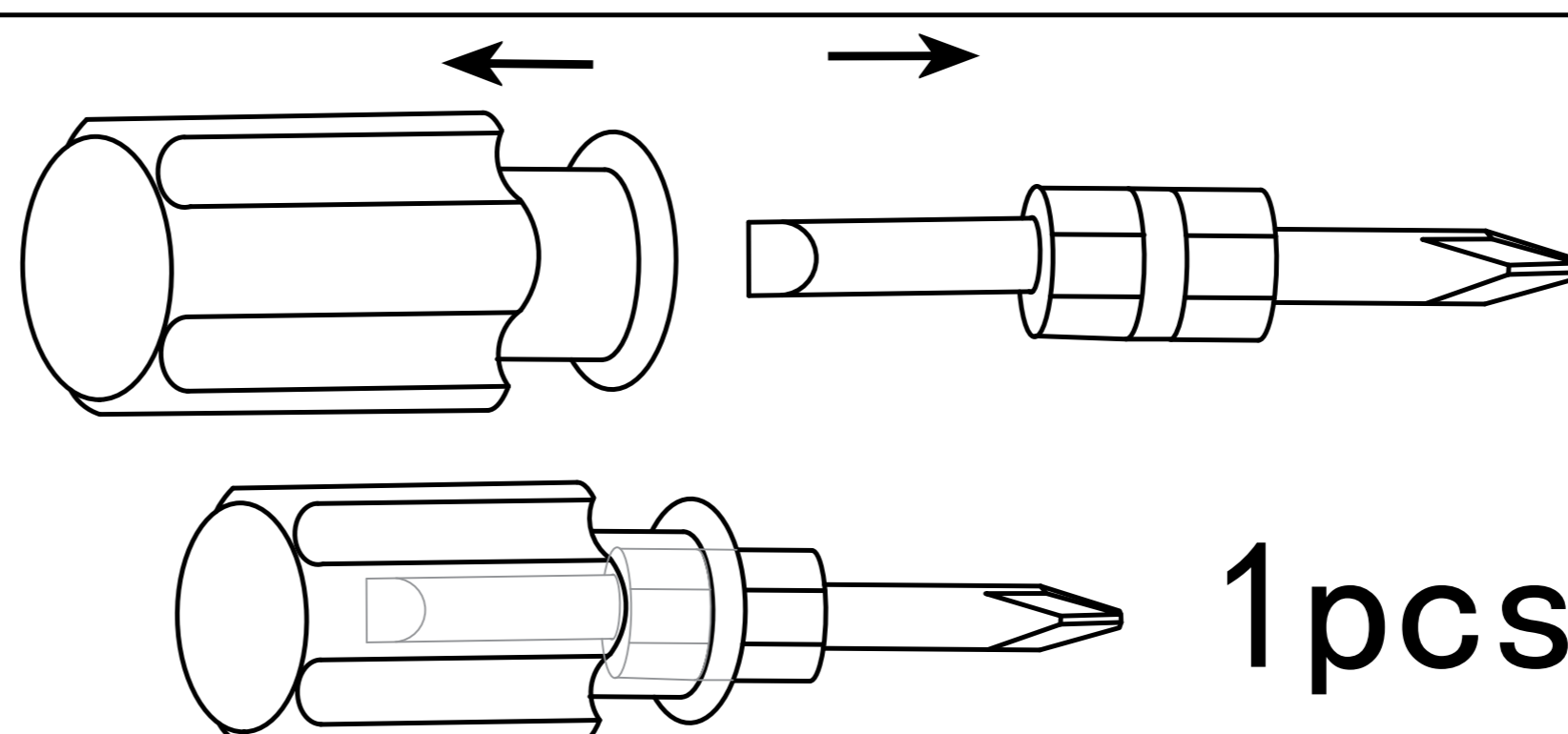
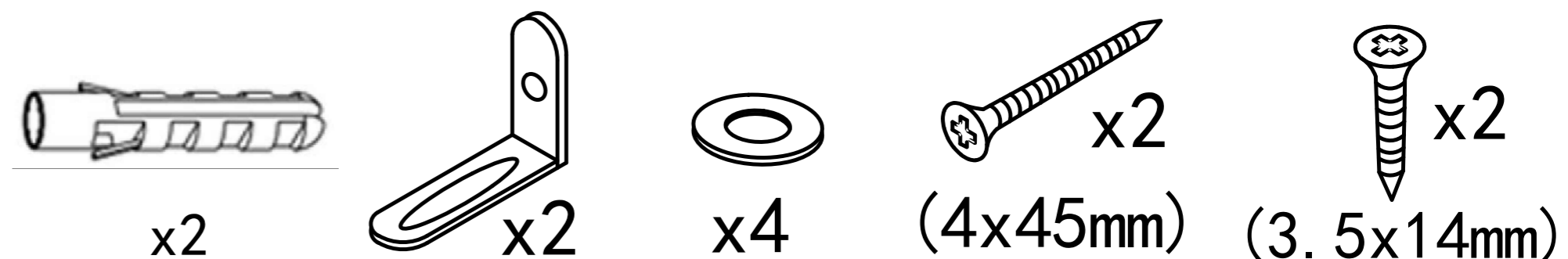
①		Two in one screw (6x28mm)	43pcs +3pcs
②		Two in one nut (10x12mm)	43pcs +3pcs
③		Non-slip pads	6pcs
④		Rebound device & Screw (3x16mm)	8pcs +2pcs 2pcs
		Iron sheet & Hinge	4pcs
		Rubber ring	8pcs
⑤		Laminated clamp & Screw (3x12mm)	4pcs +2pcs 4pcs
⑥		Laminate Support Nail	4pcs
⑦		Forked line	1pcs
⑧		Wire clamp	2pcs +1pcs
⑨		LED Strip Controlle	1pcs
		AC/DC Adapter (12V==2.0A)	1pcs



8pcs

⑩

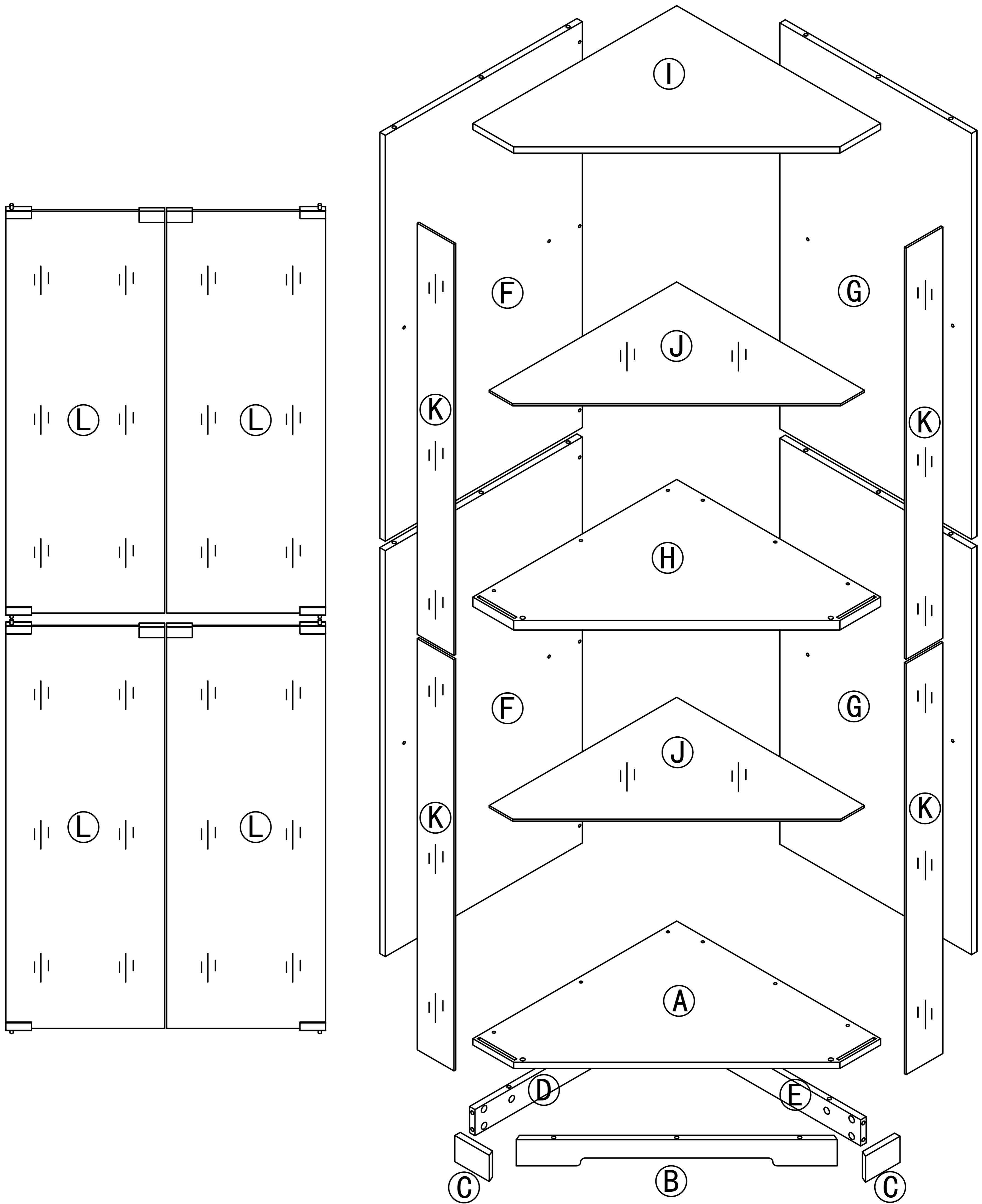
Anti Fall Hardware



Double-head screwdriver,
use as required

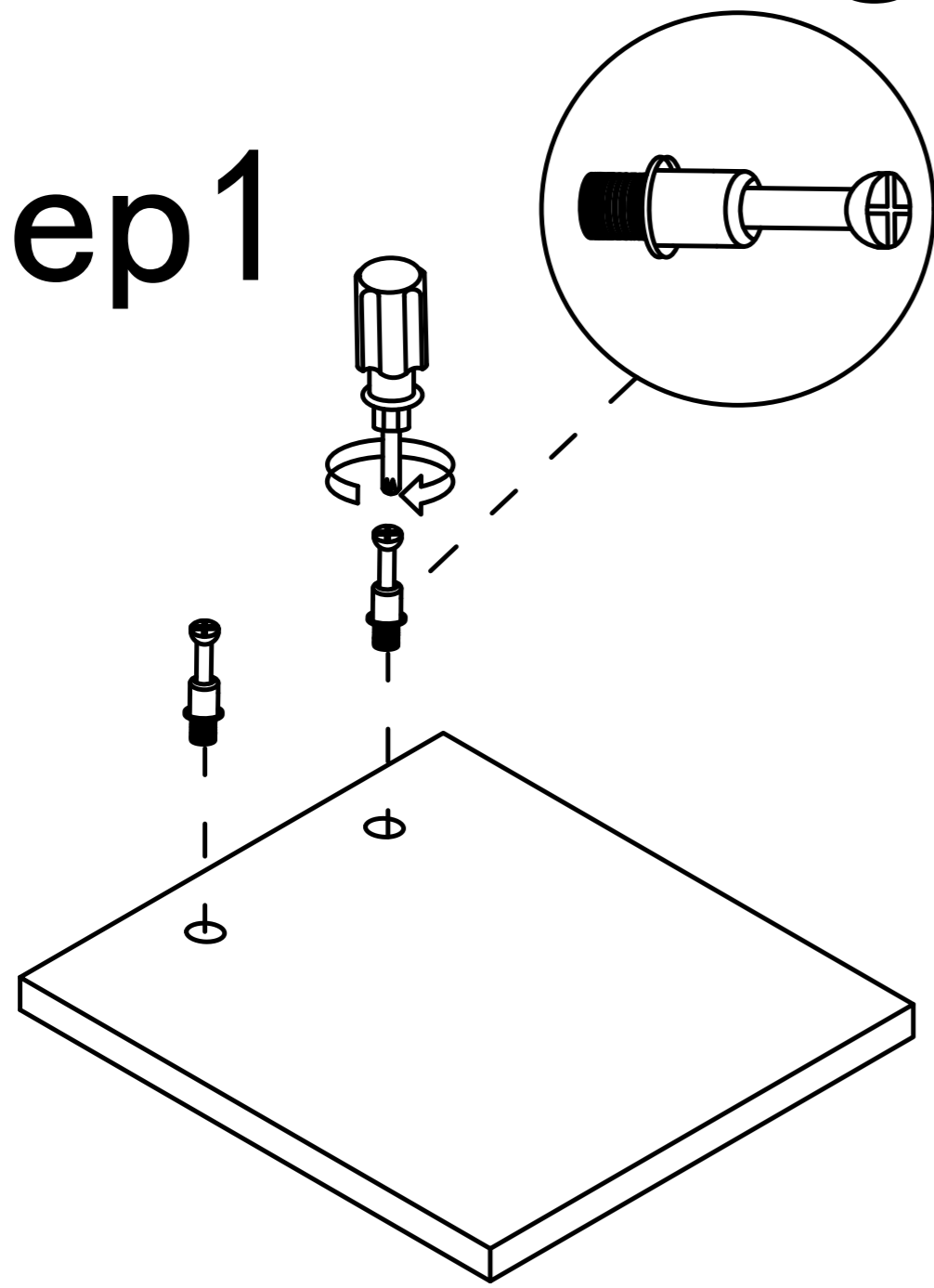
2

Product structure decomposition

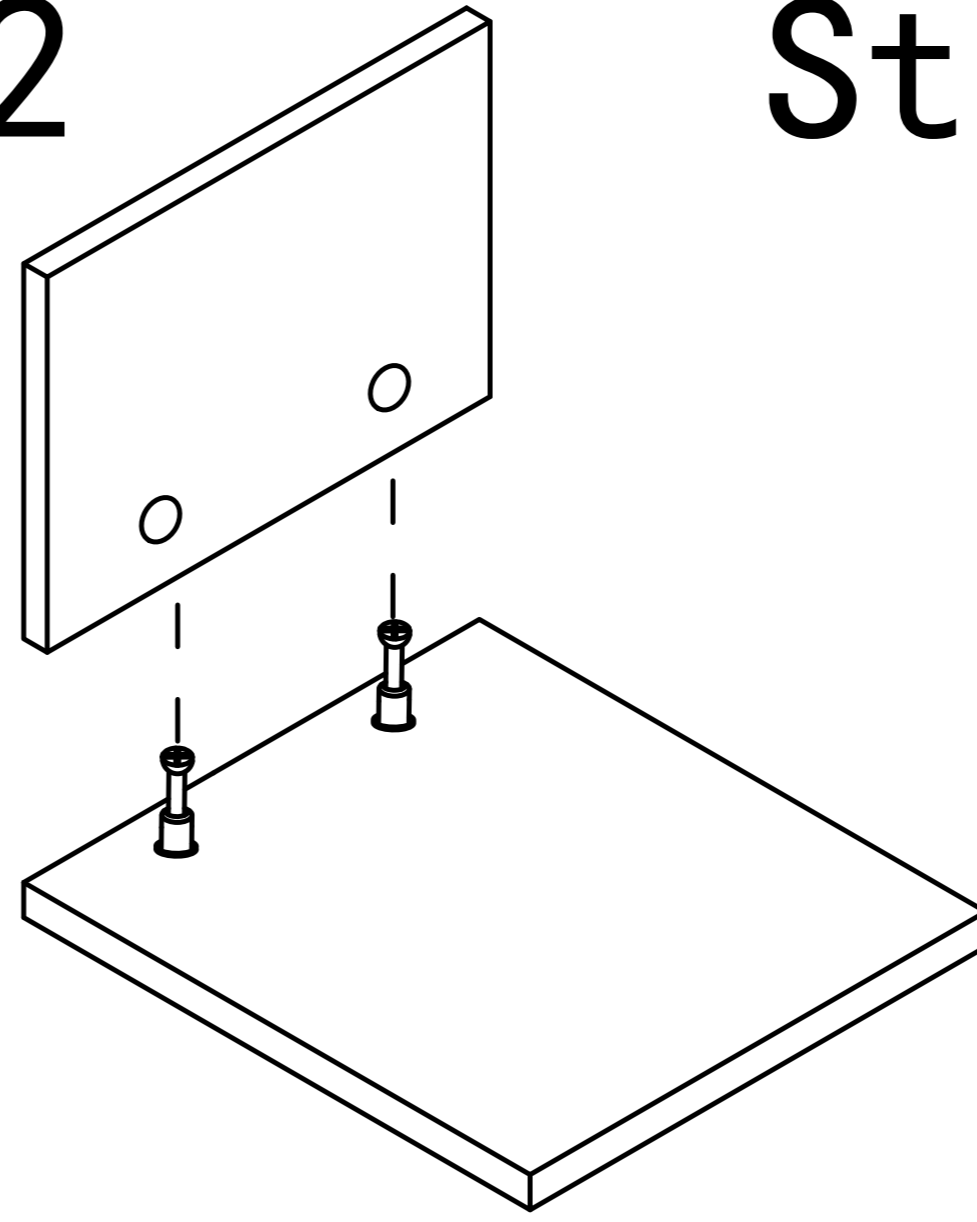


Use parts ① and ②

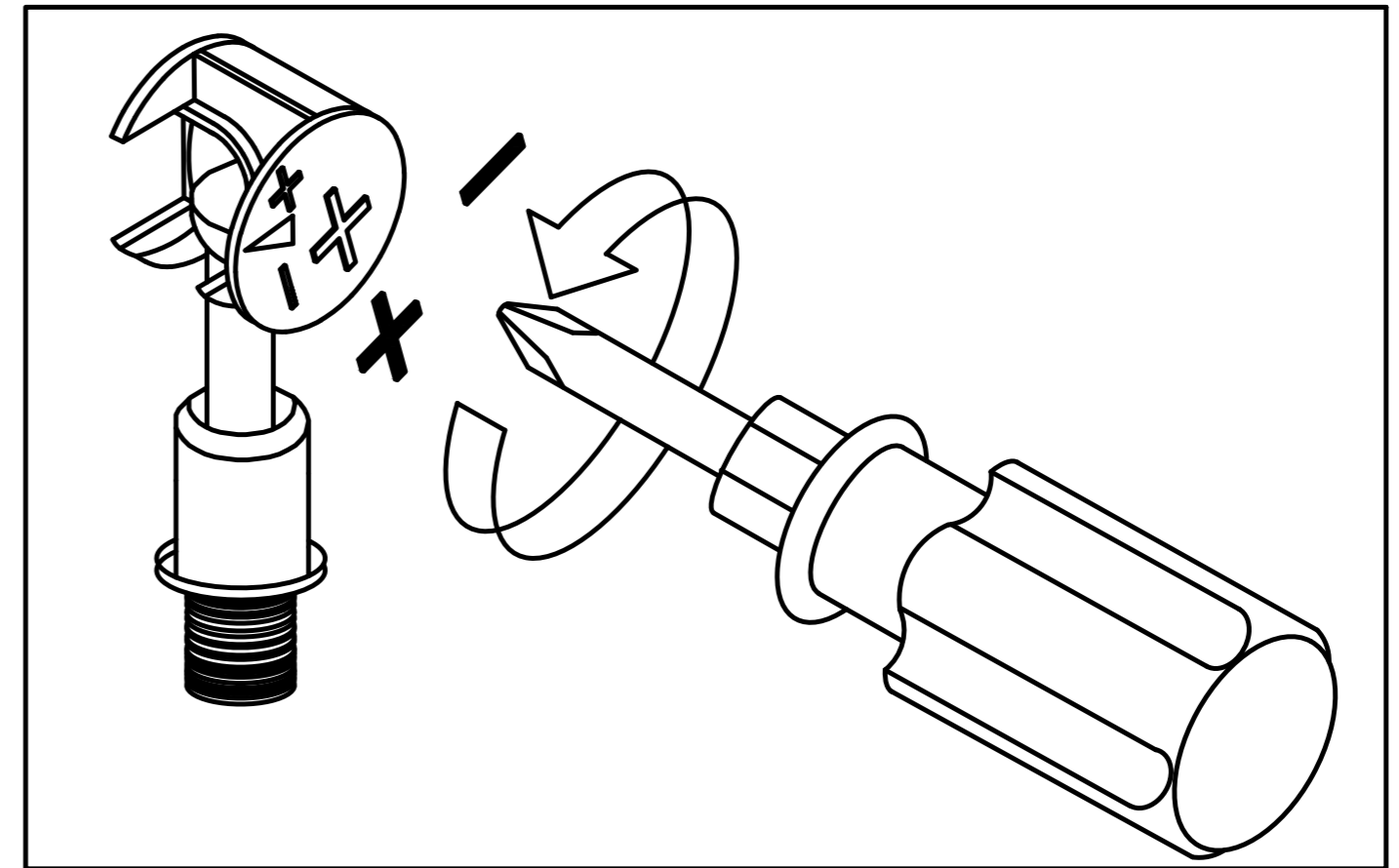
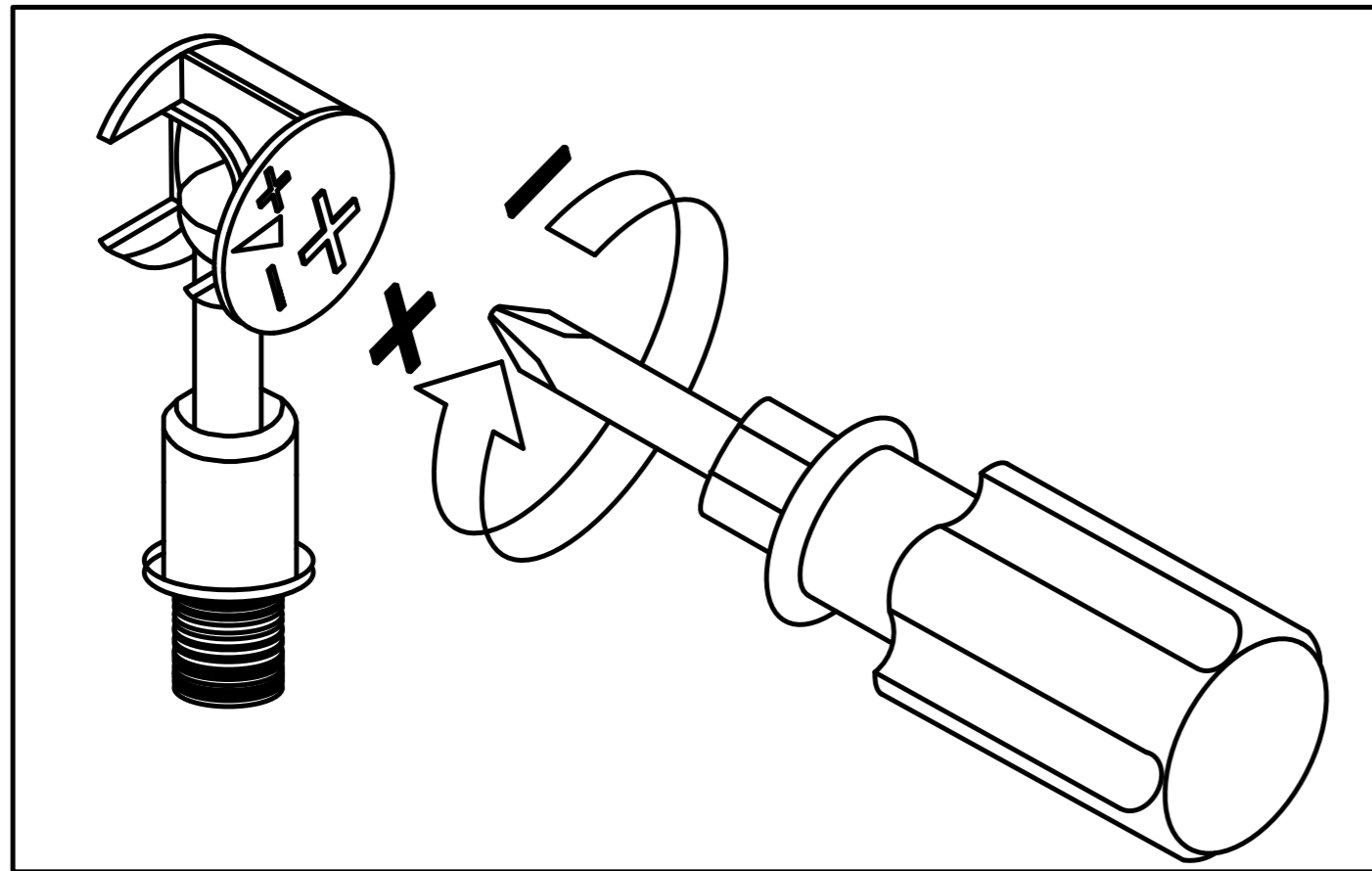
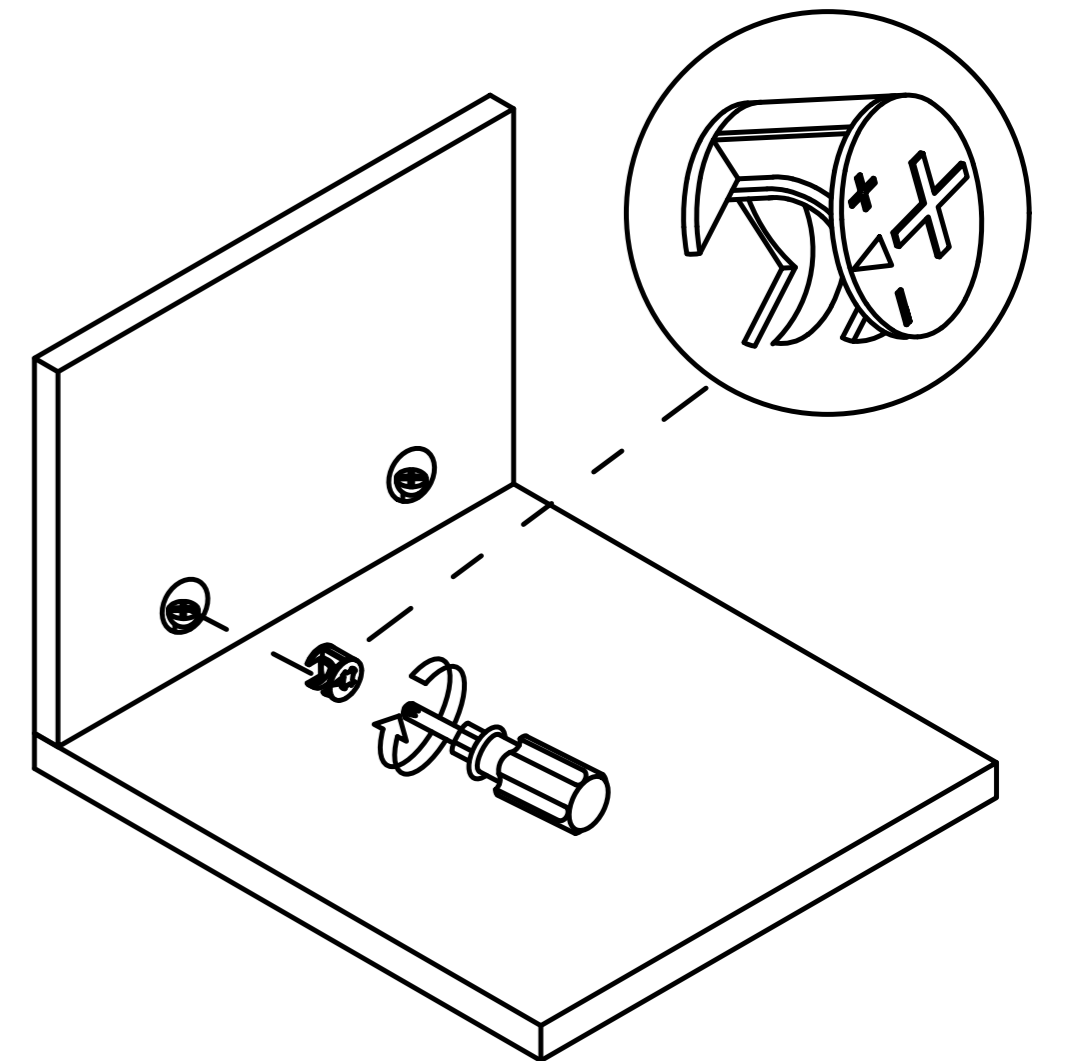
Step 1



Step 2



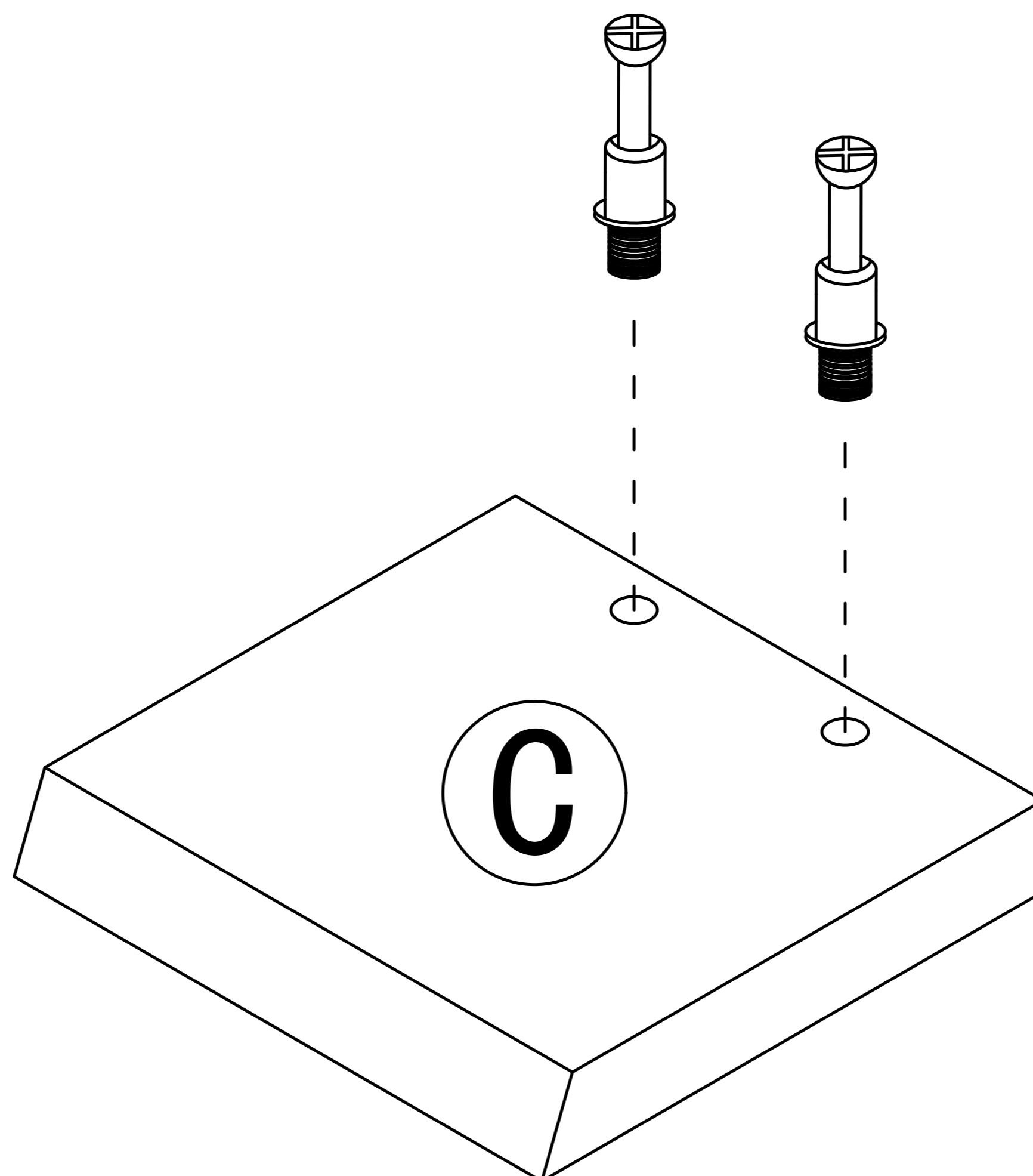
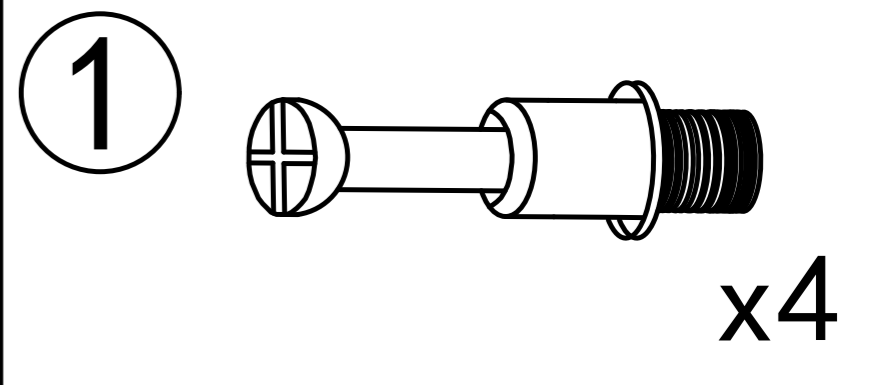
Step 3



Use a screwdriver to lock in the direction of the "+" sign

Disassemble along the direction of "-" sign

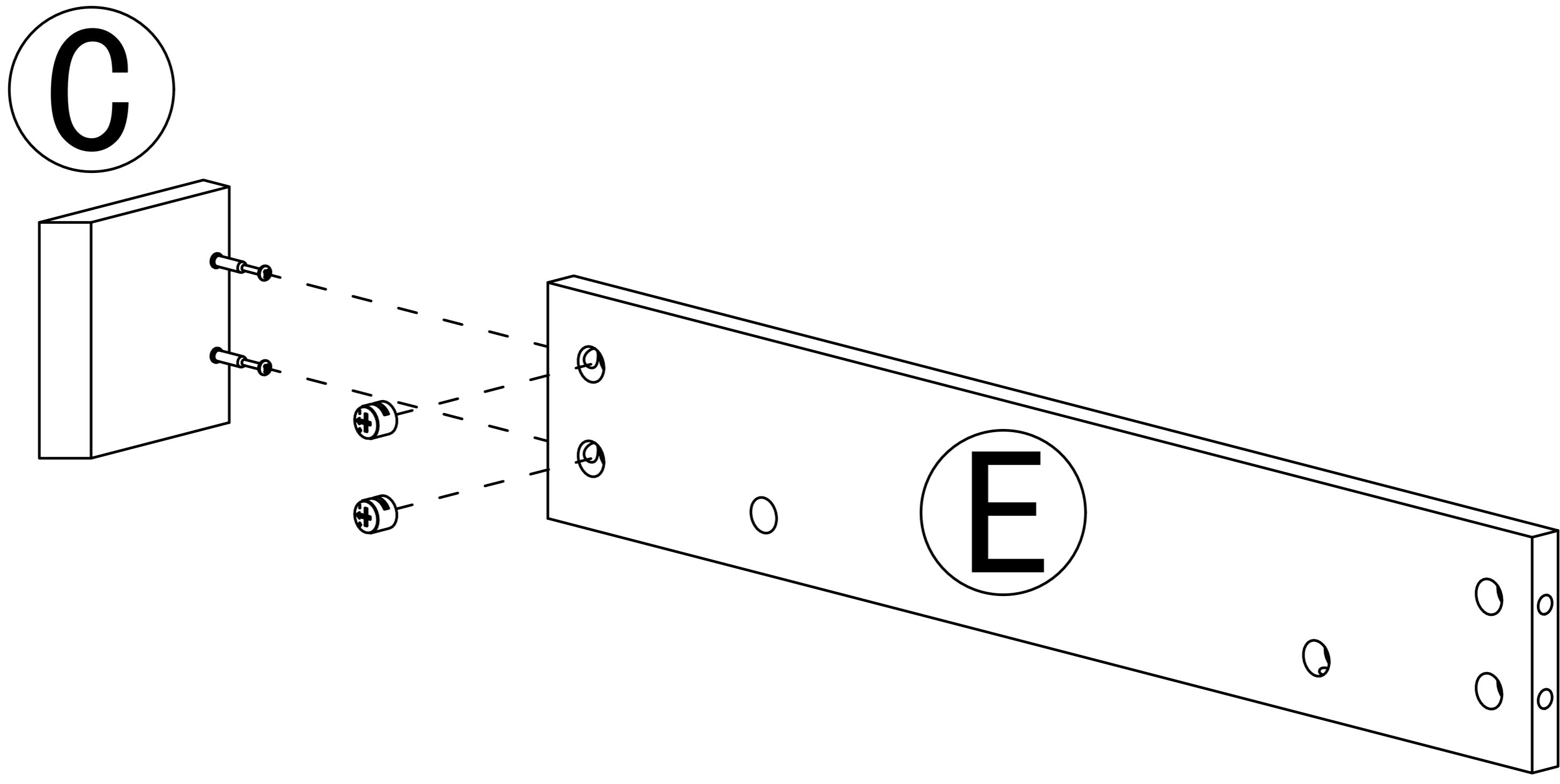
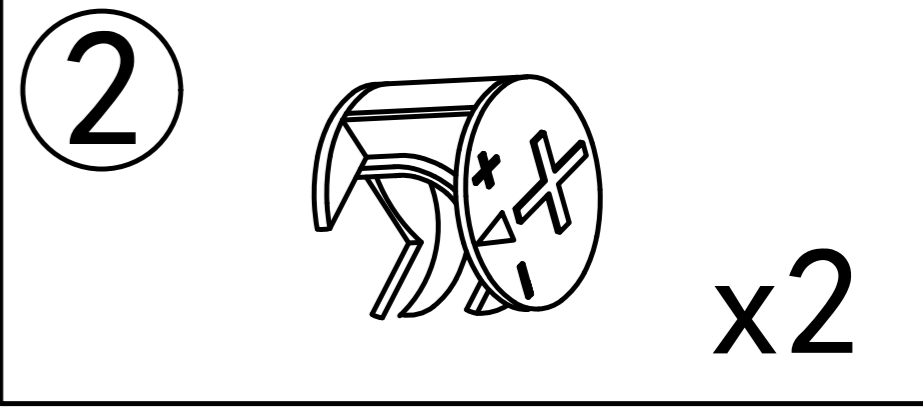
Step 1



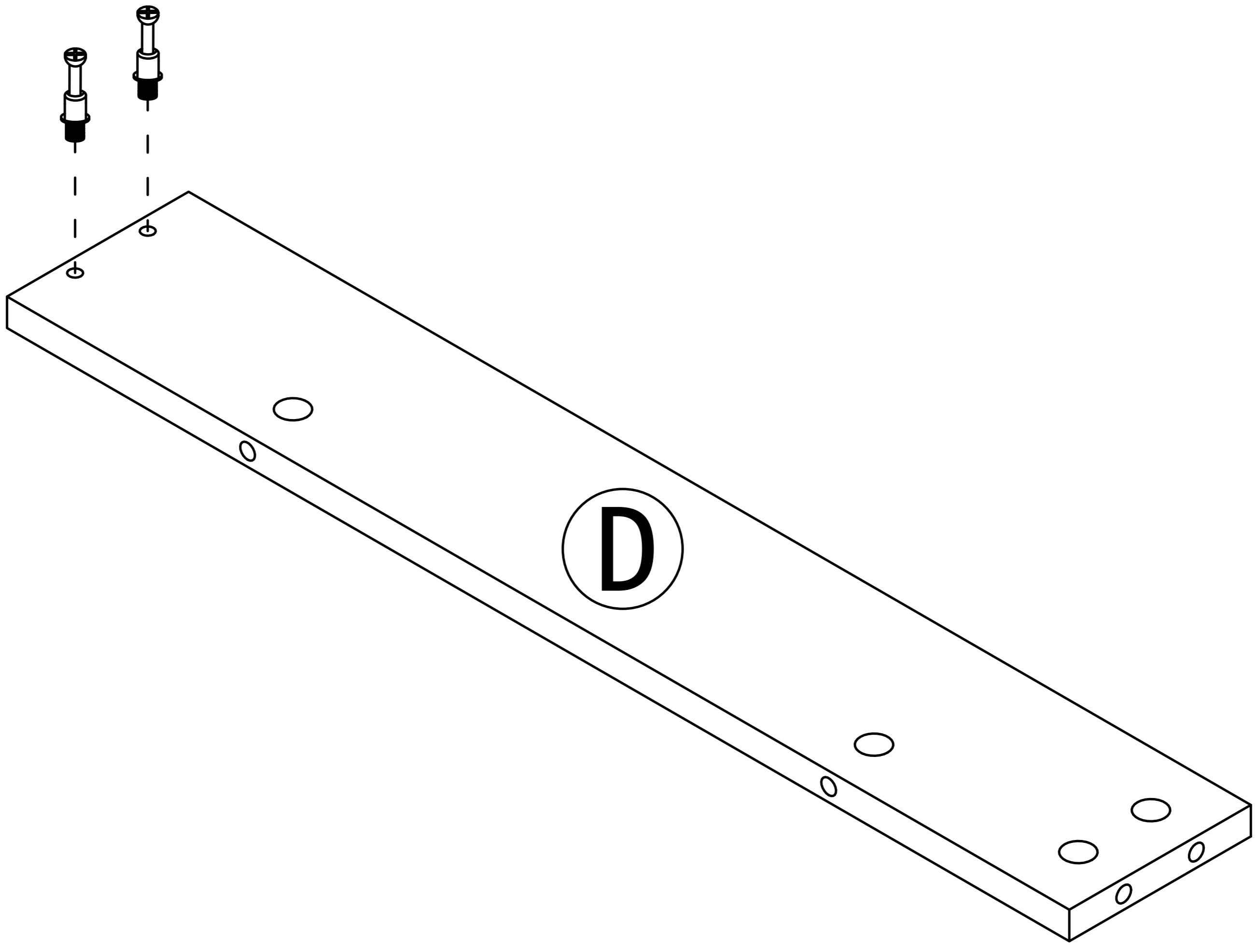
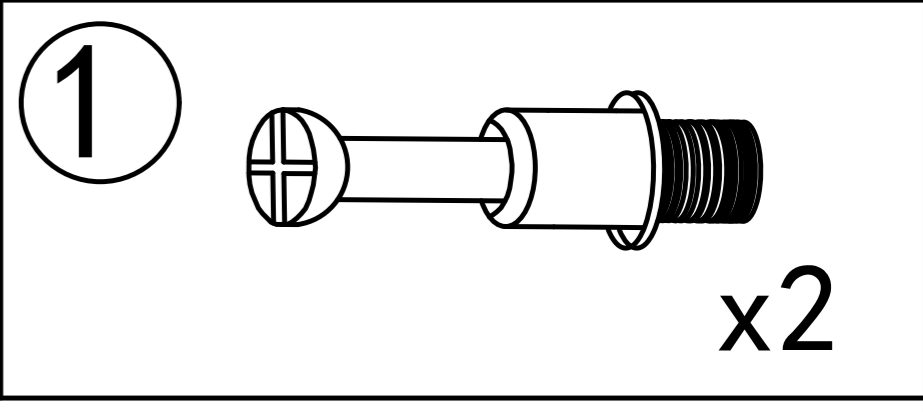
C x 2

4

Step 2

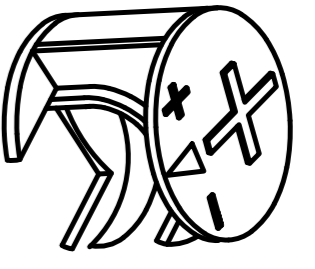


Step 3

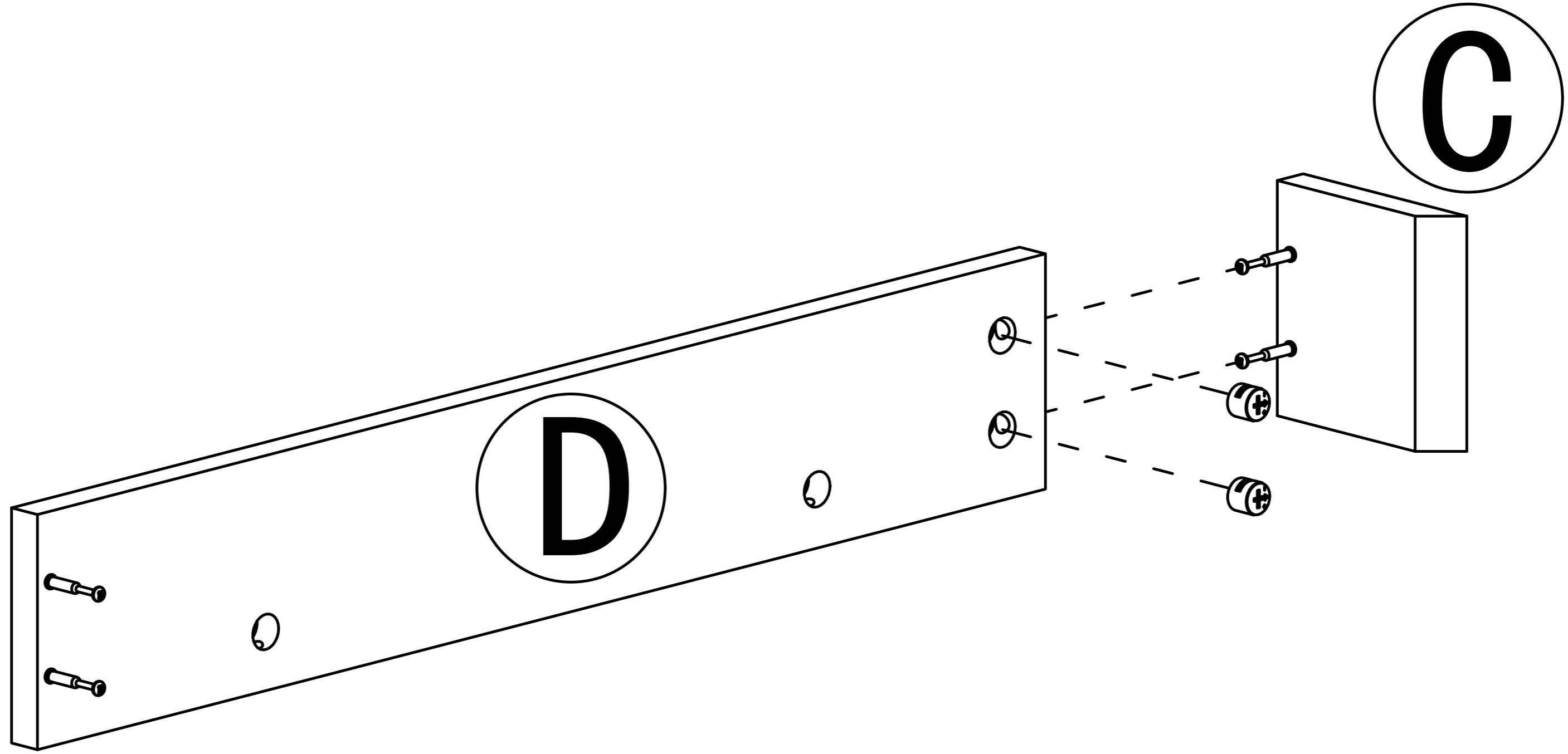


Step 4

2

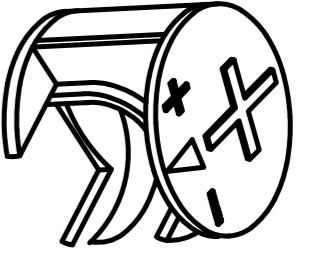


x2

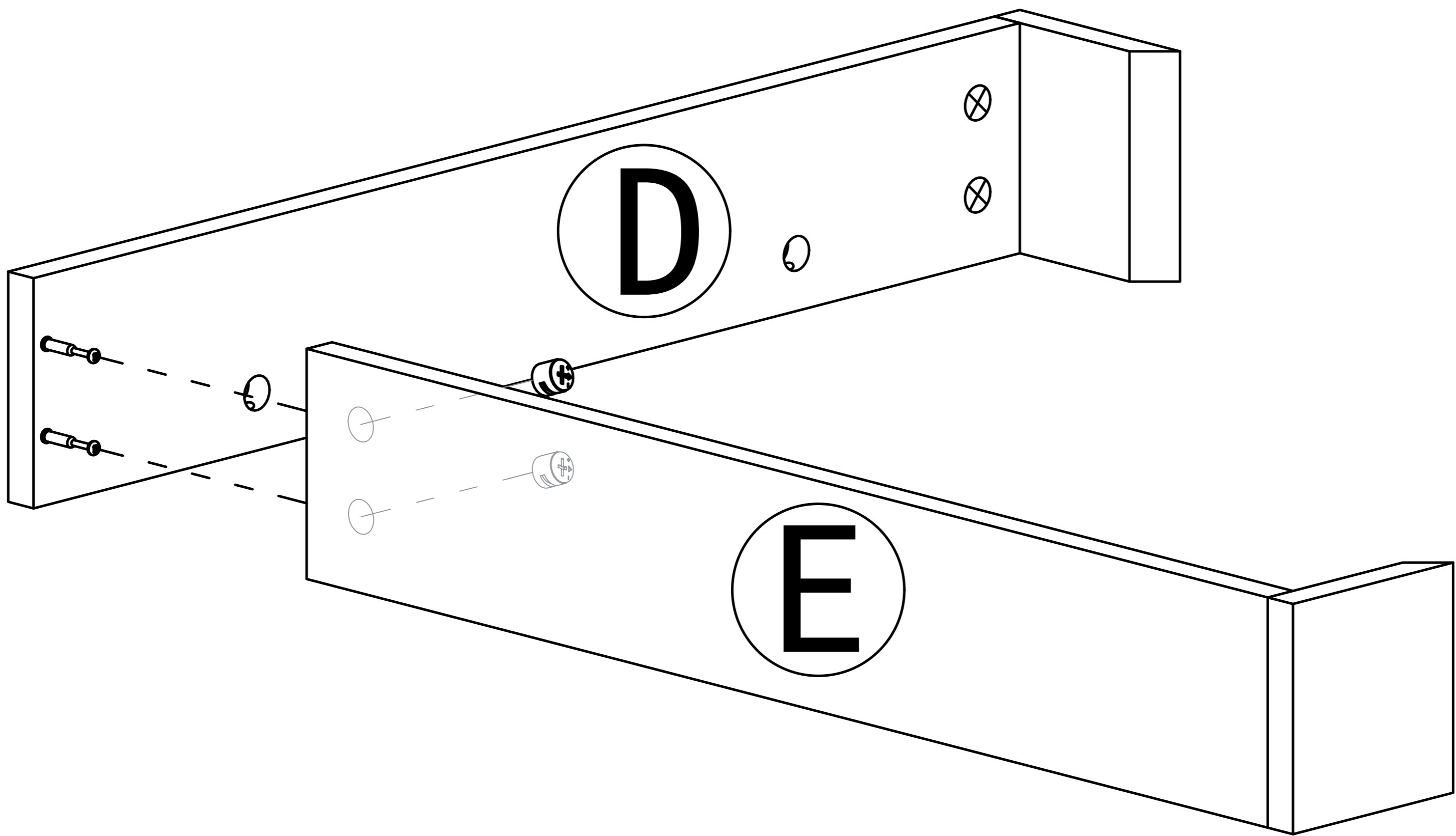


Step 5

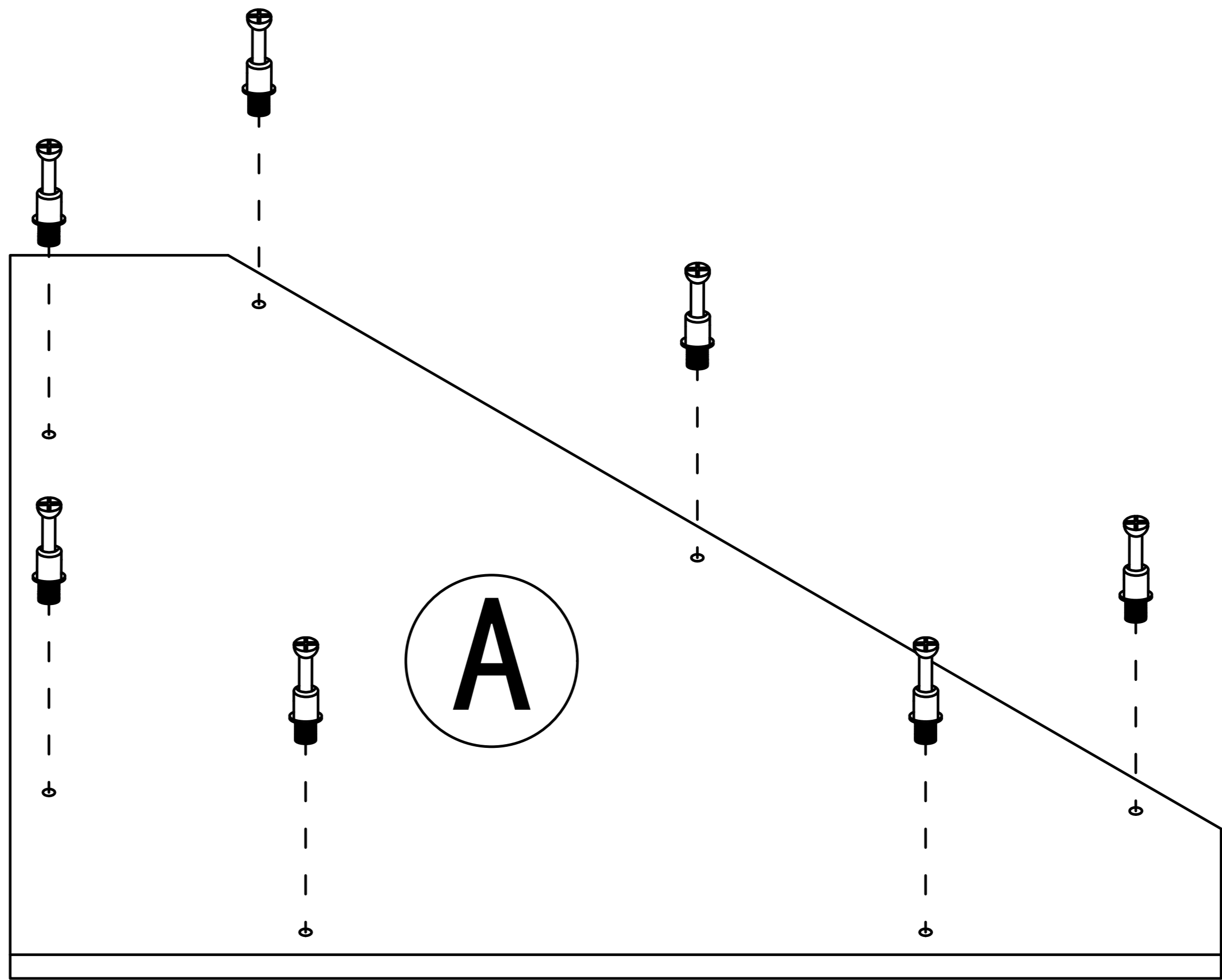
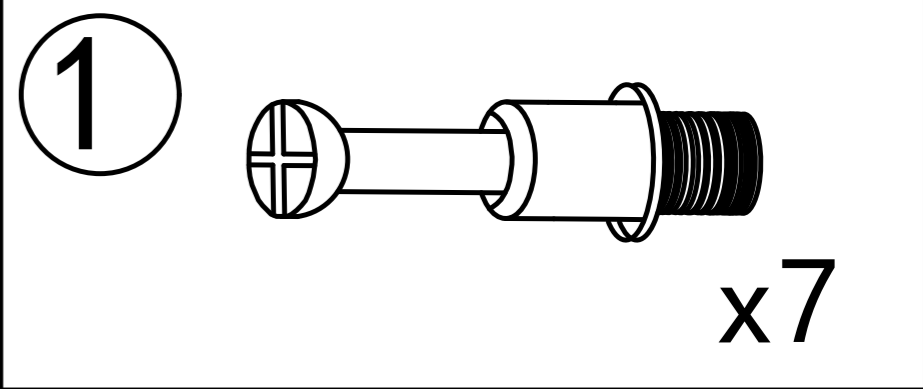
2



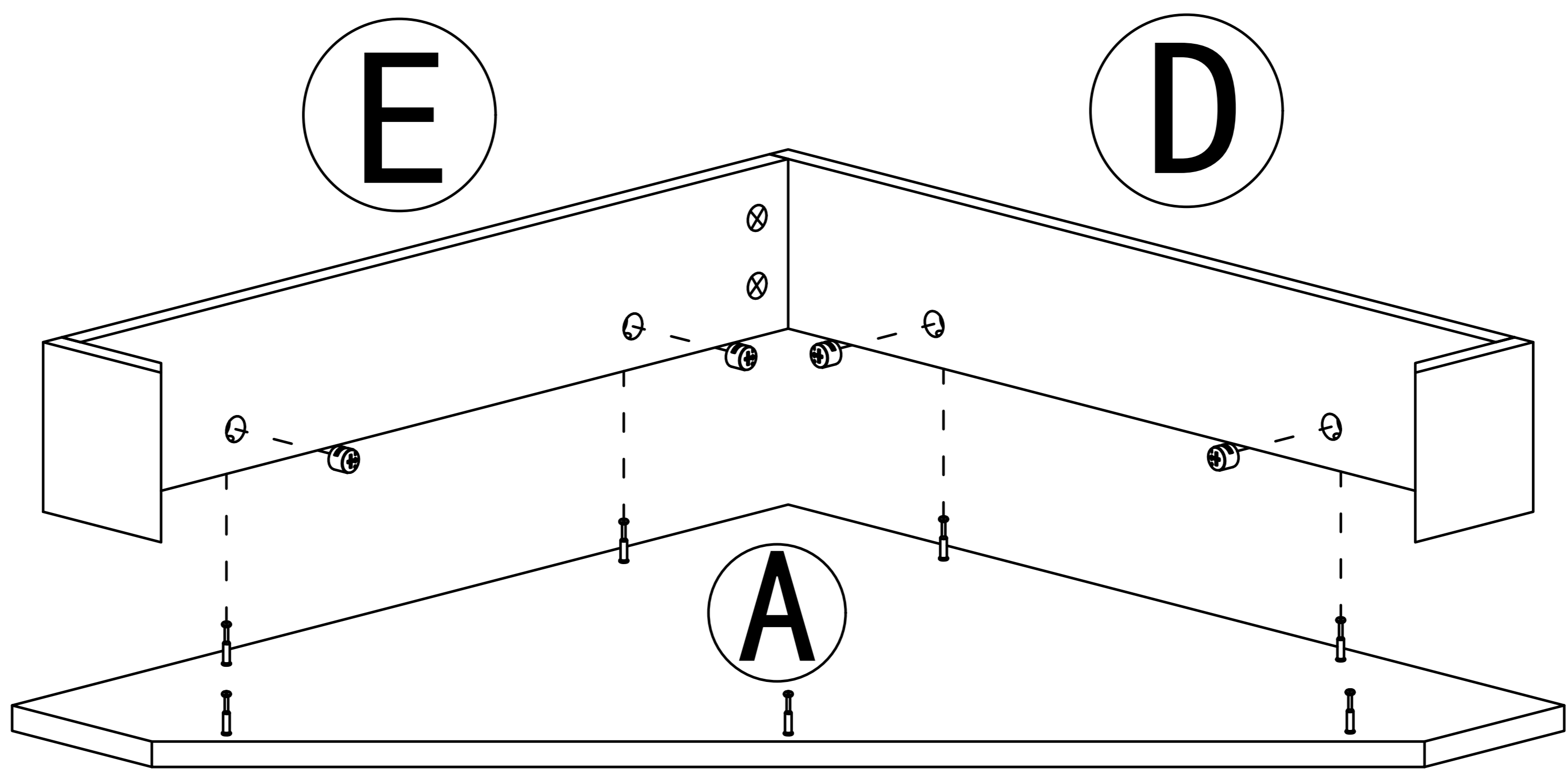
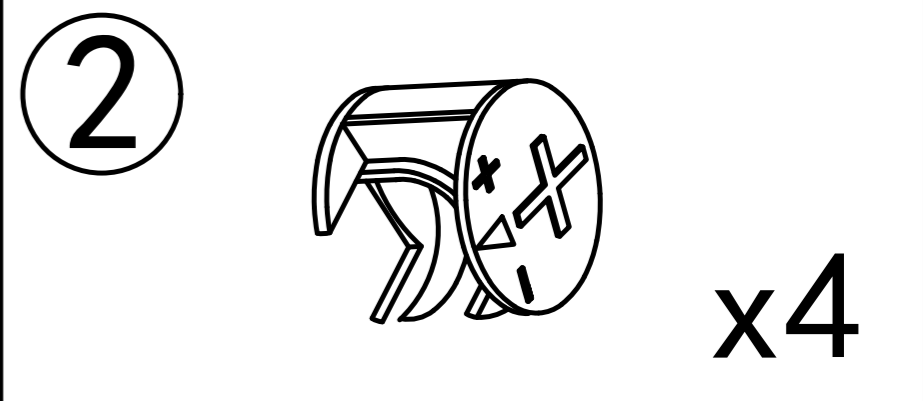
x2



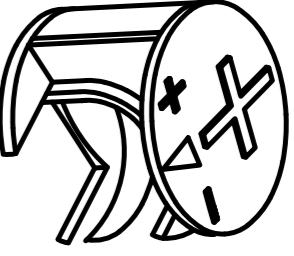
Step 6

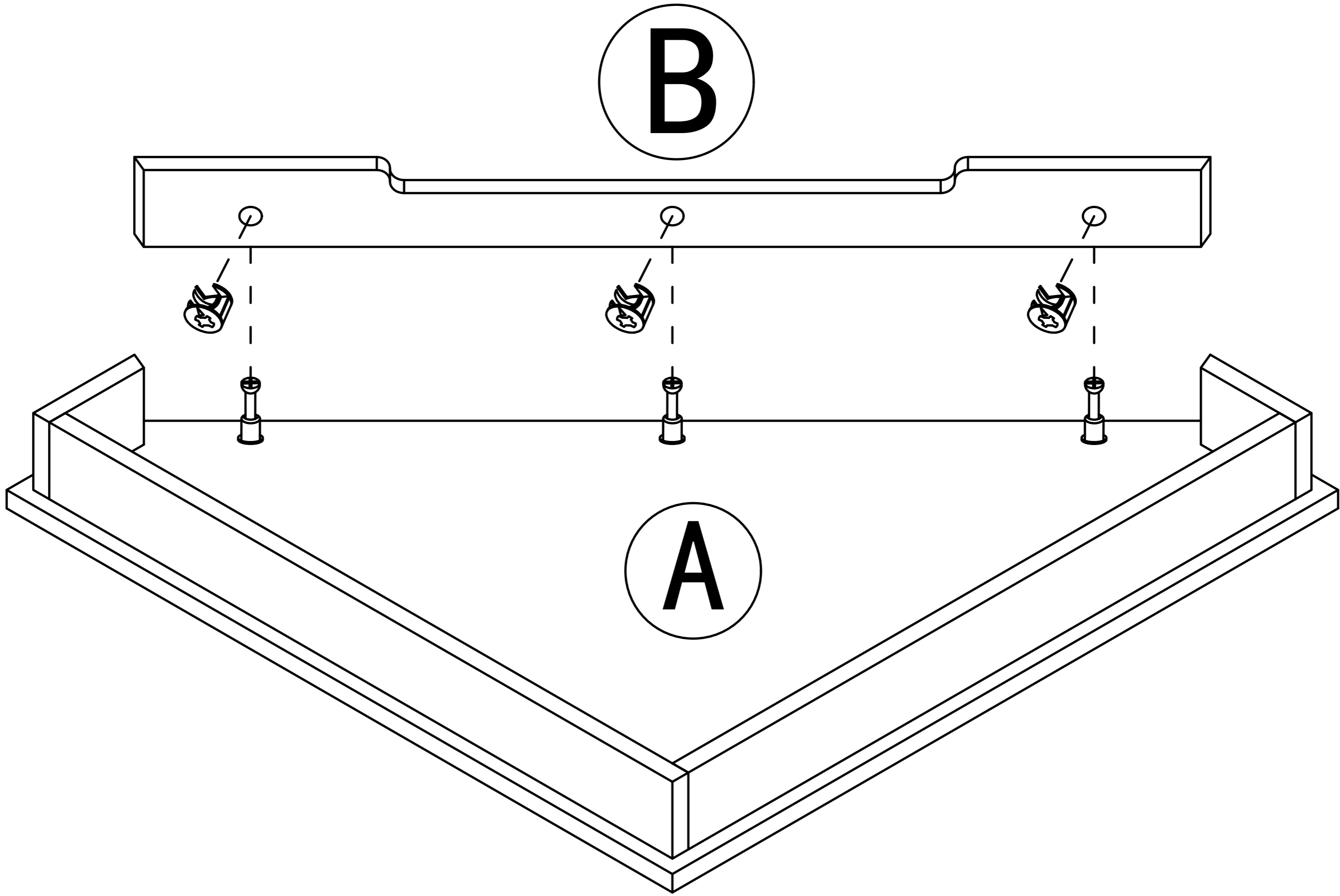


Step 7

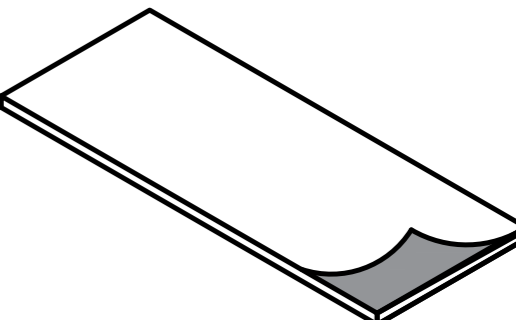


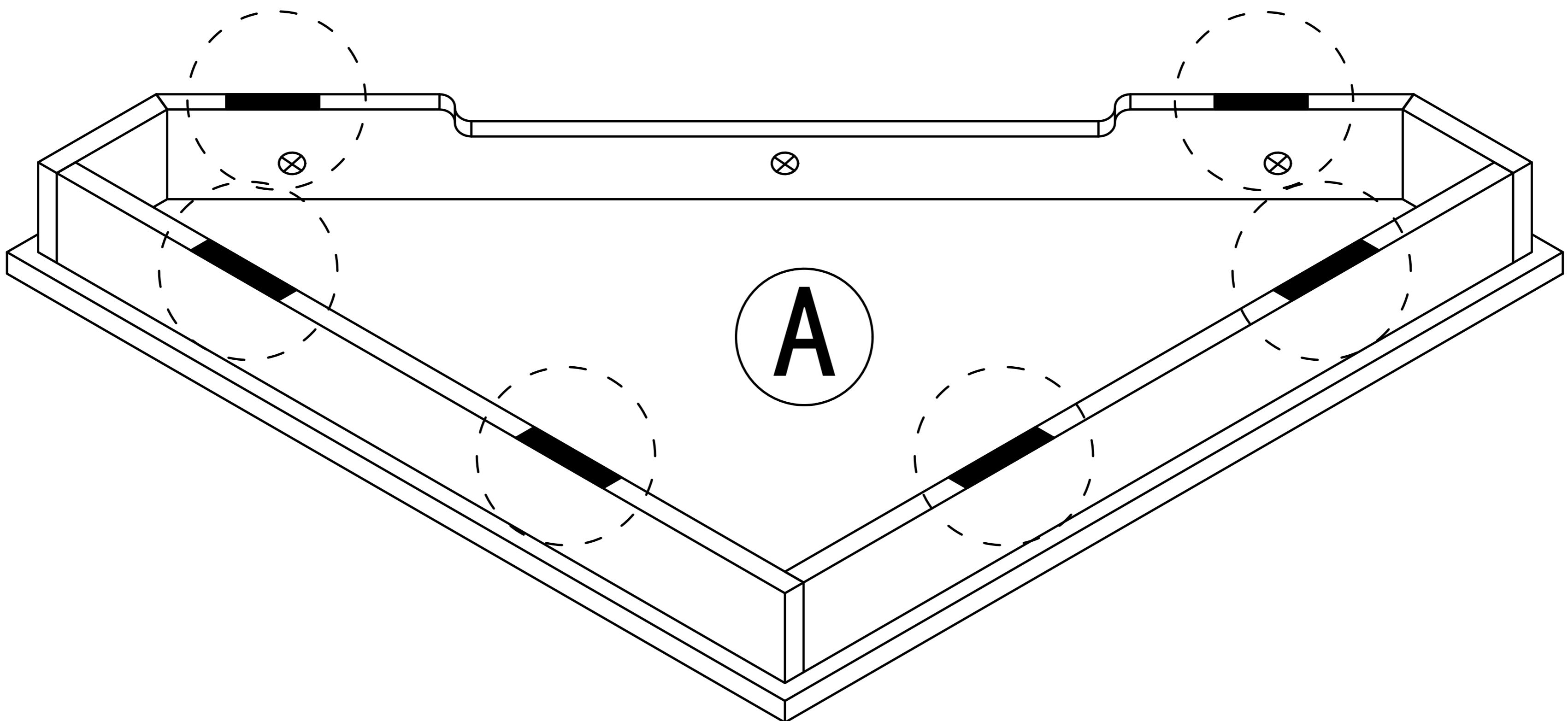
Step 8

2  x3

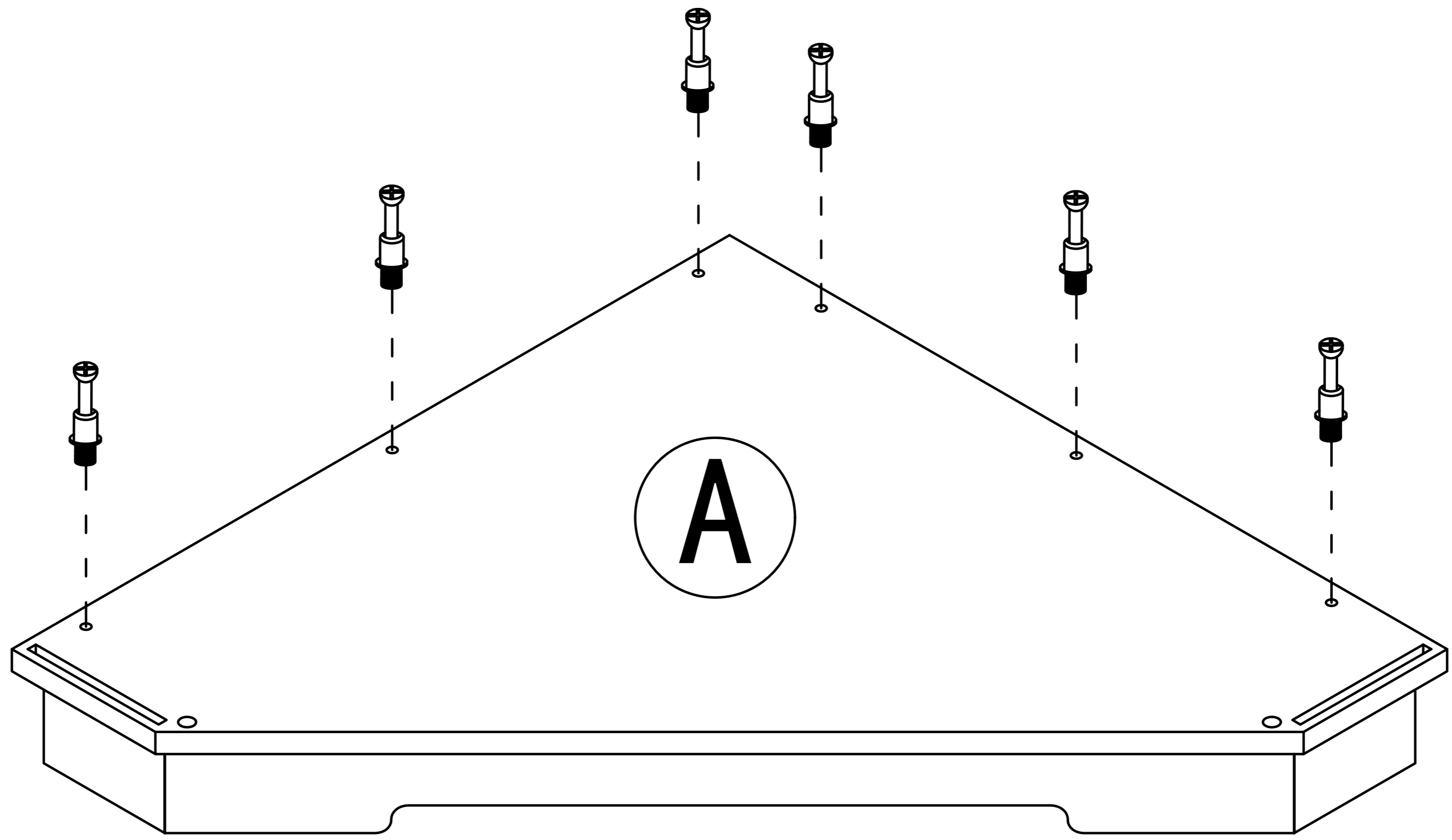
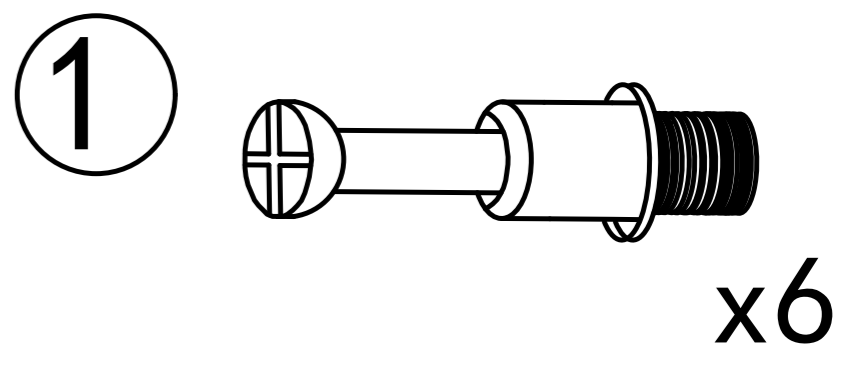


Step 9

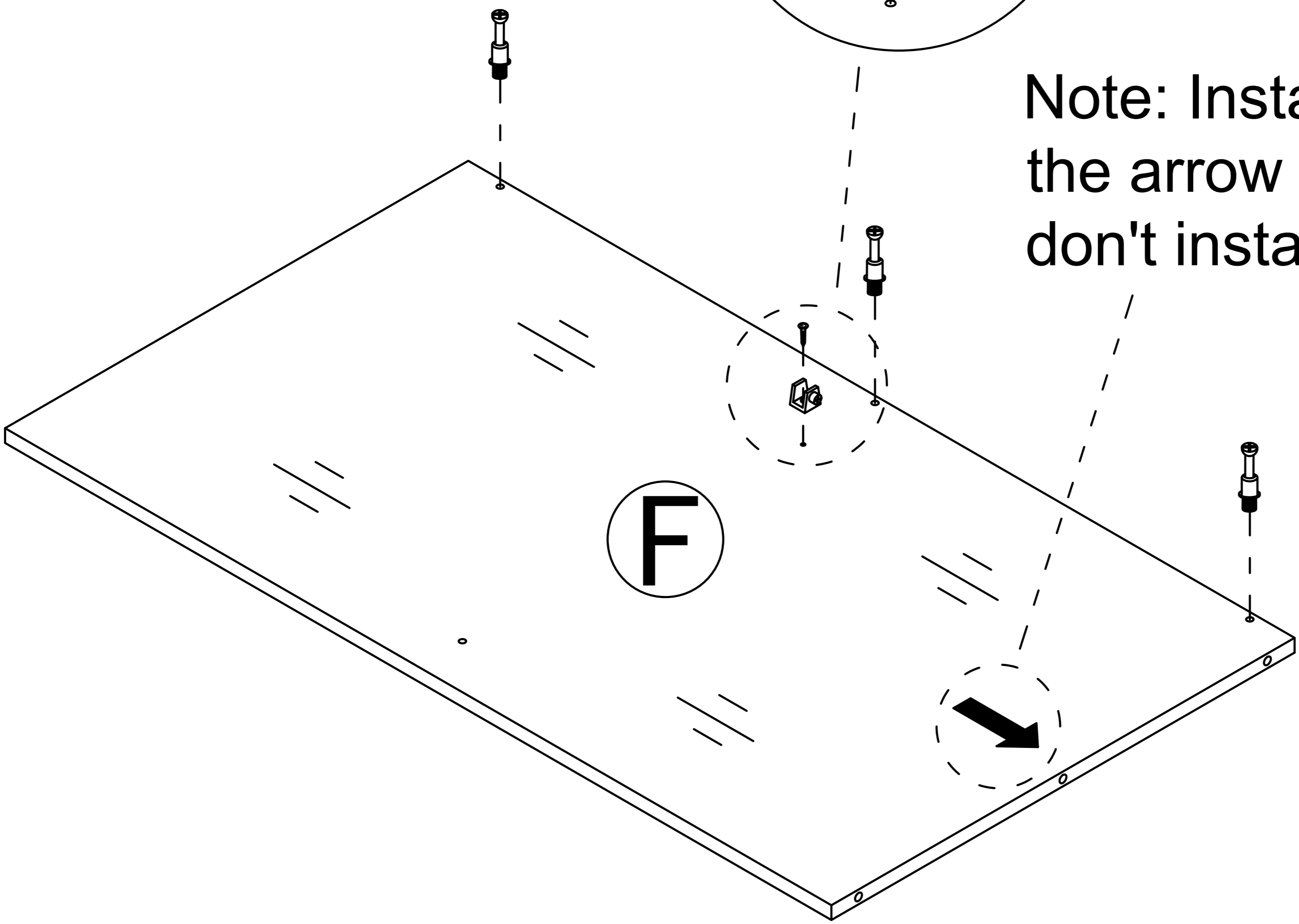
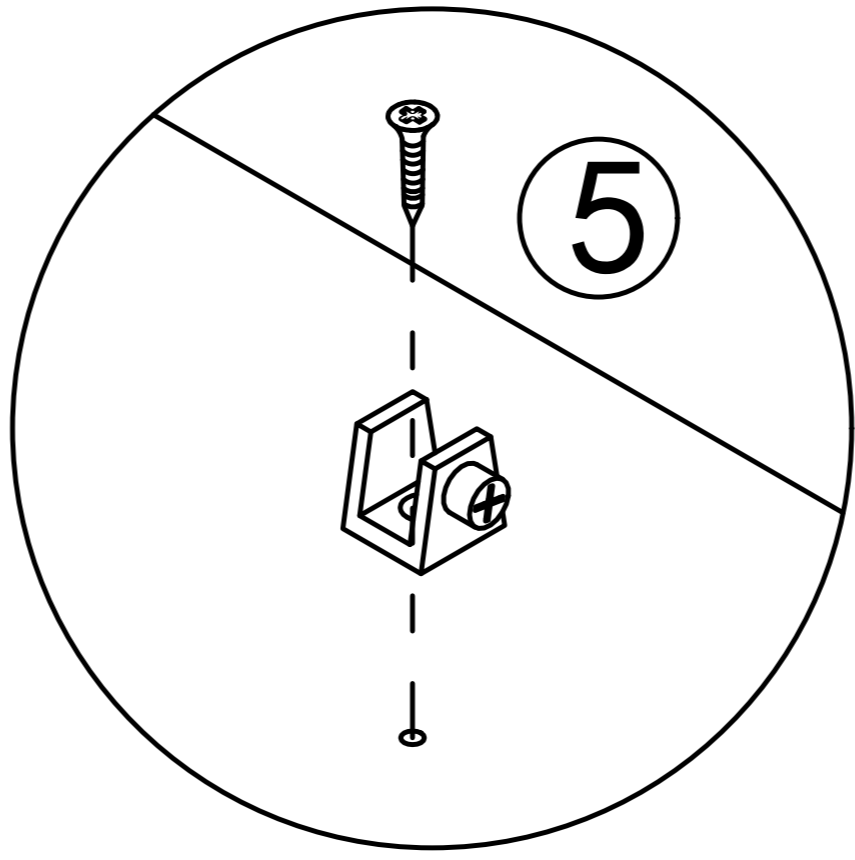
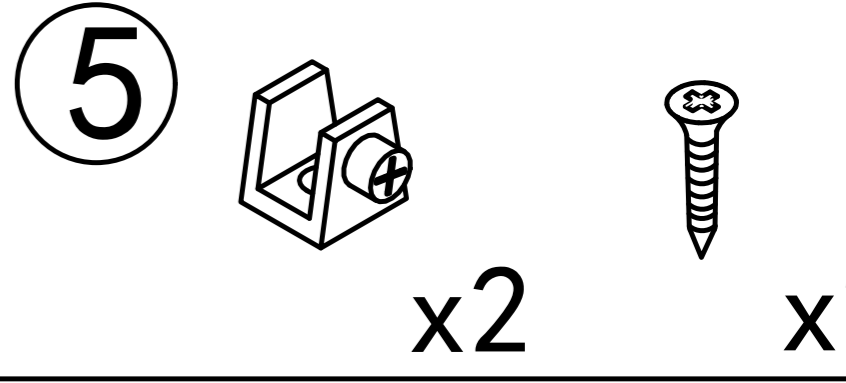
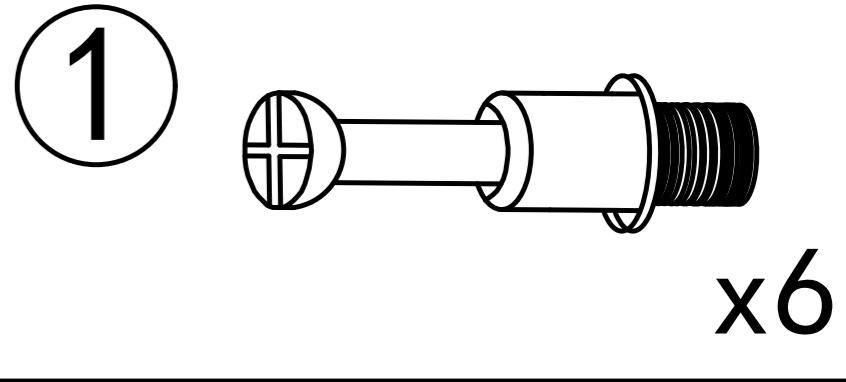
3  x6
Tear off release paper and stick the black foot pad on the board



Step 10

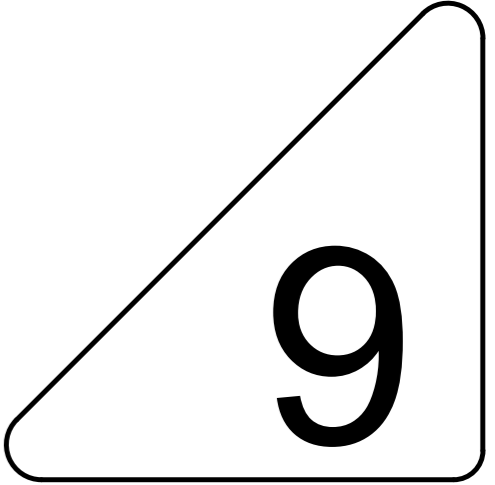


Step 11

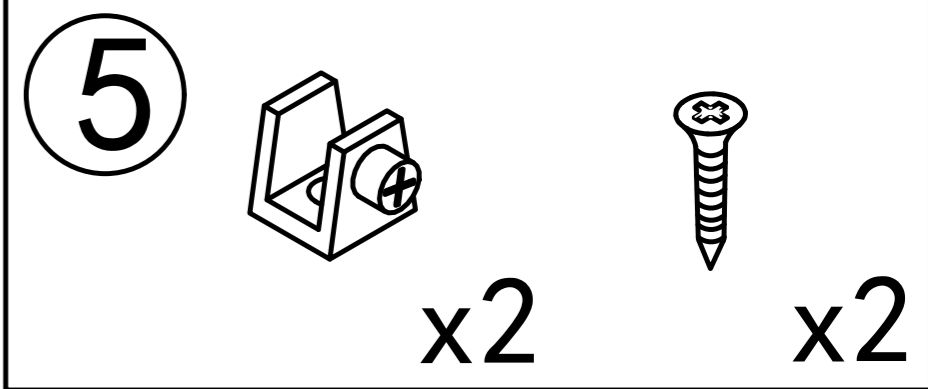


Note: Install according to the arrow on the board, don't install it backwards.

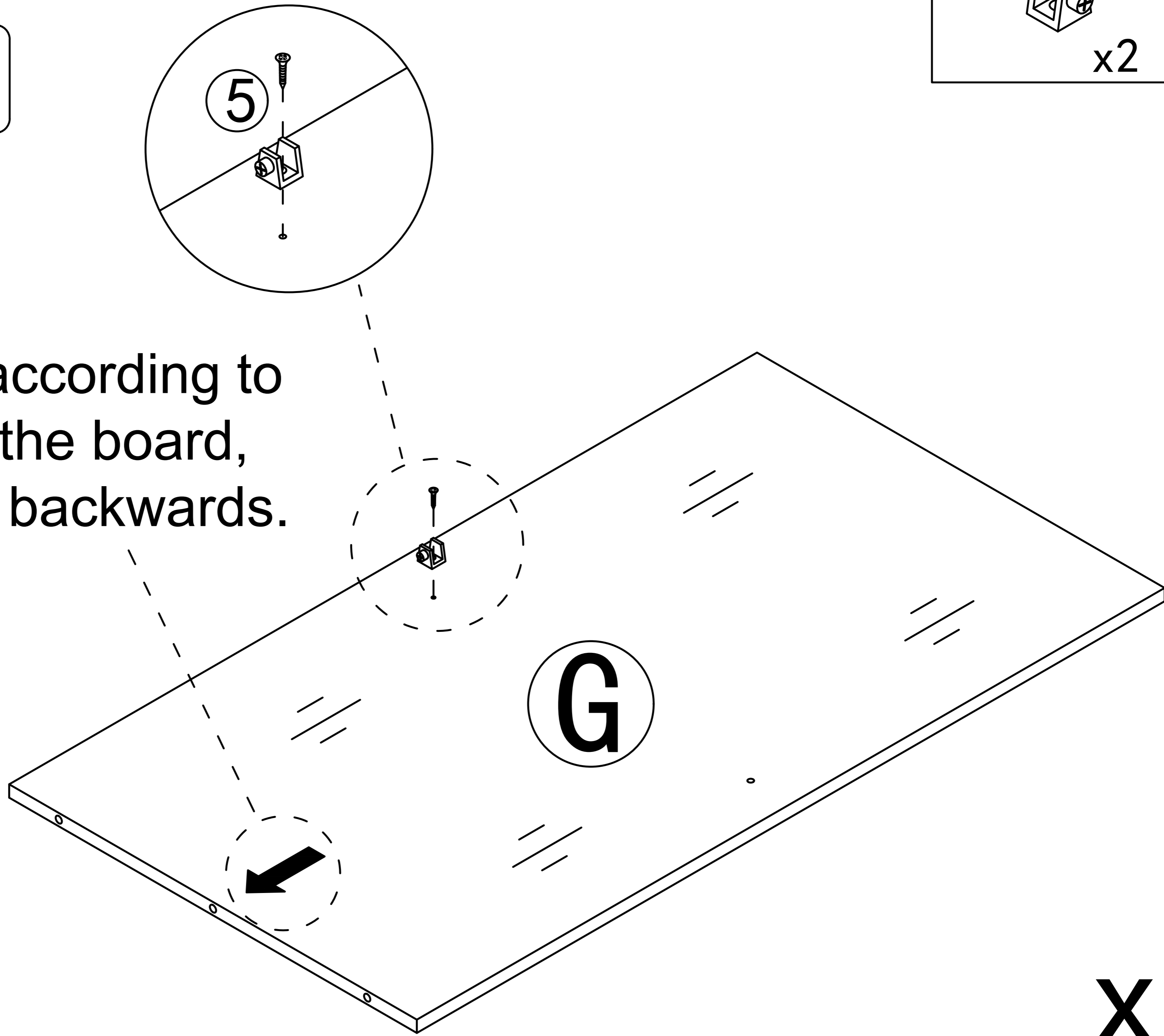
x2



Step 12

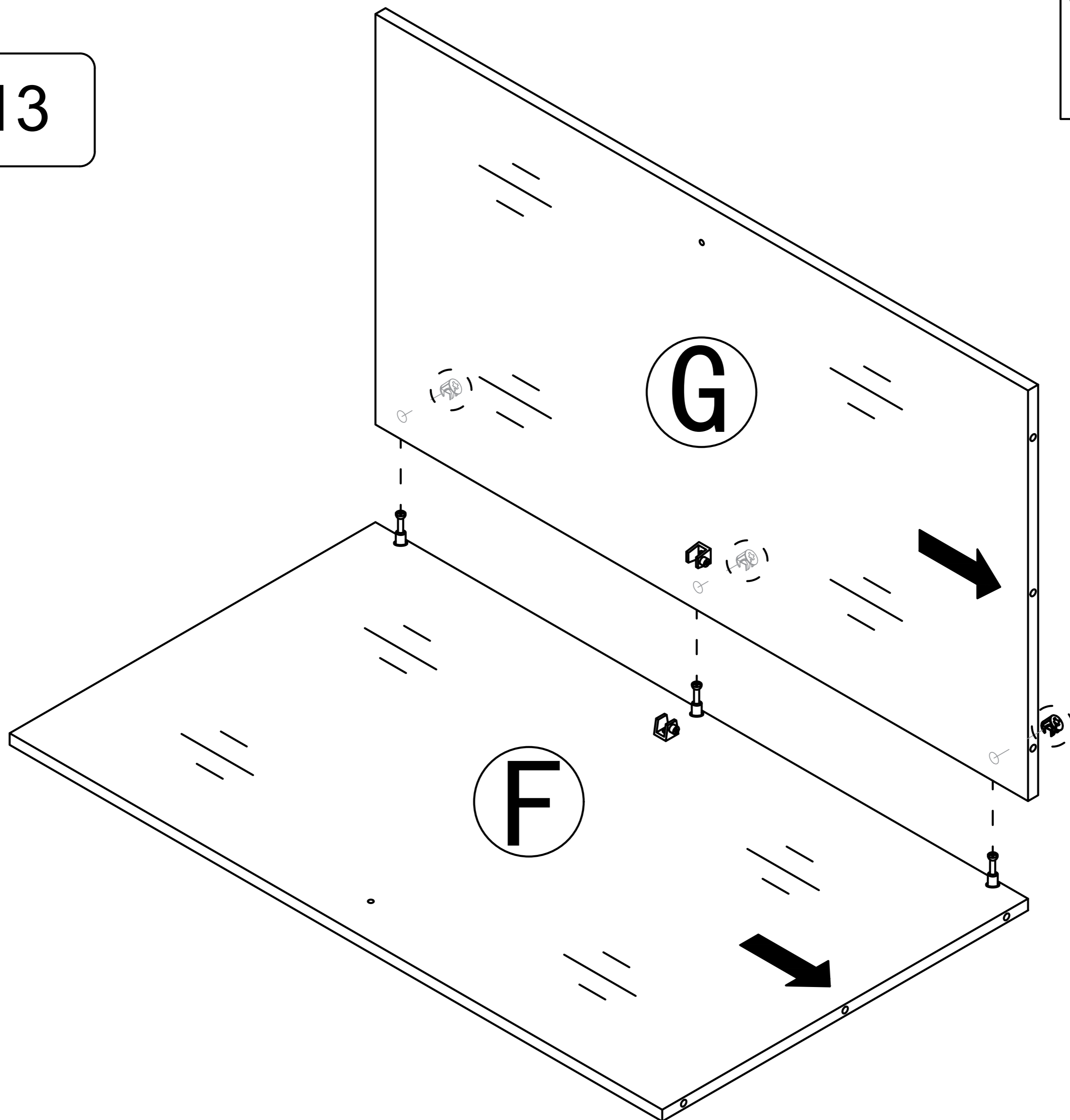
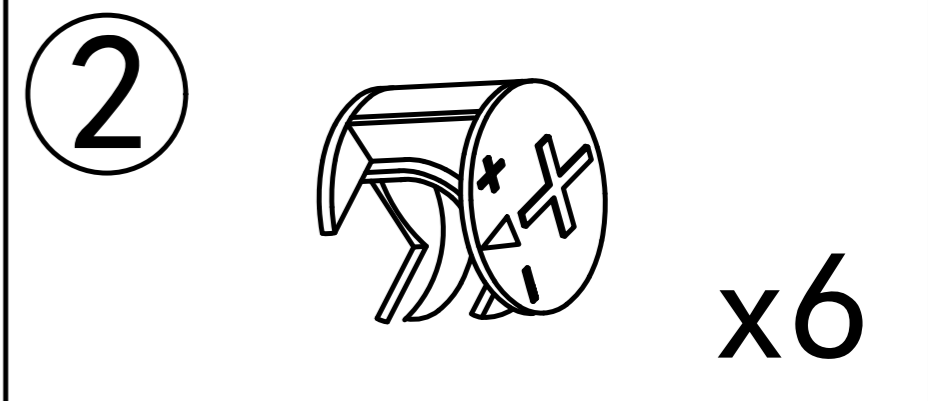


Note: Install according to the arrow on the board, don't install it backwards.



x2

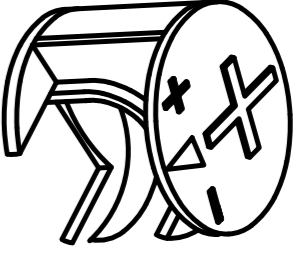
Step 13

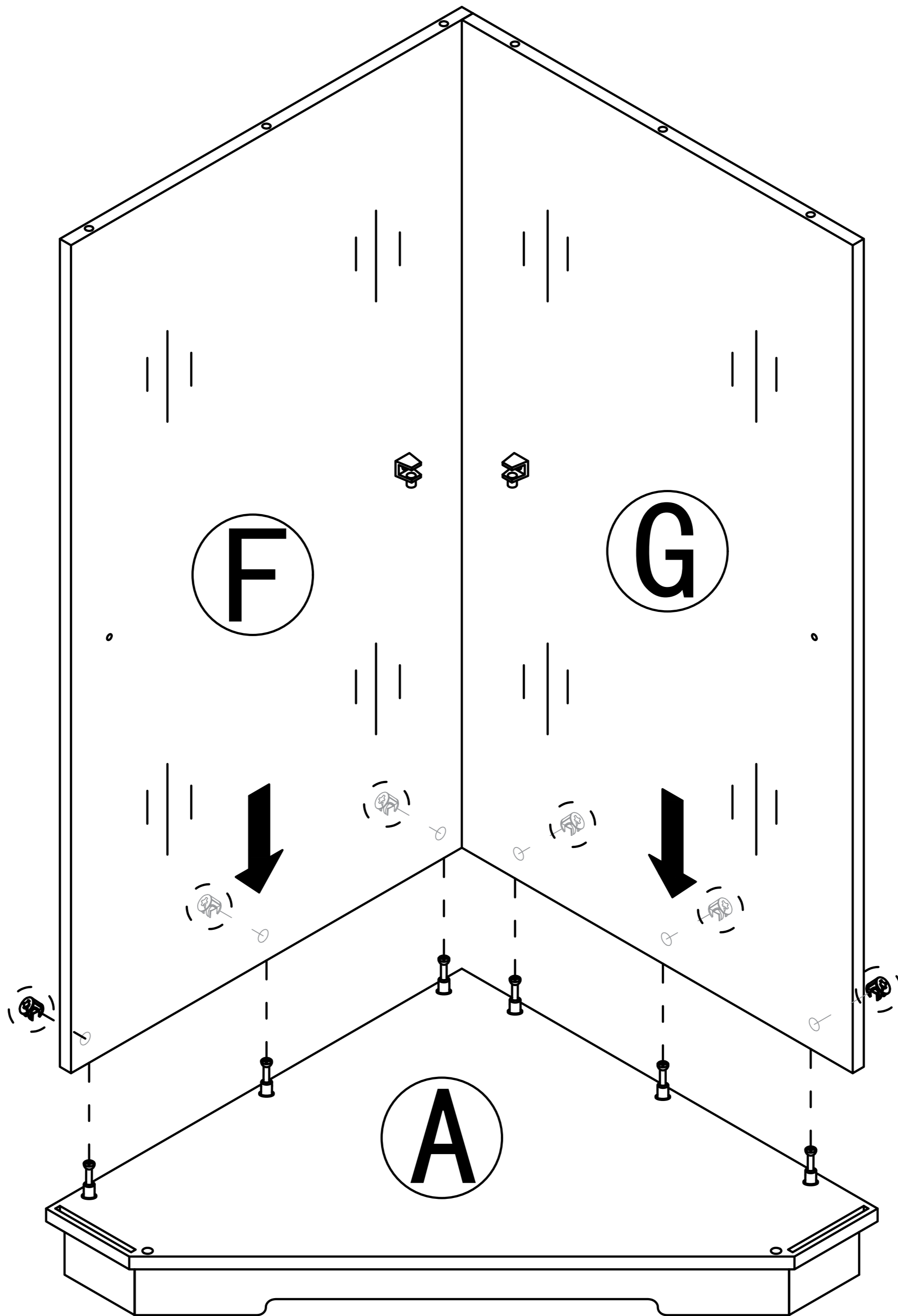


x2

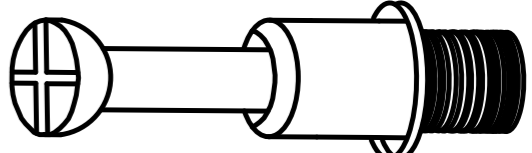
10

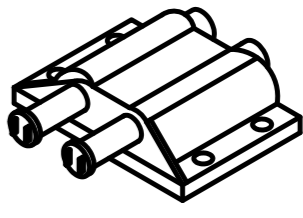

Step 14

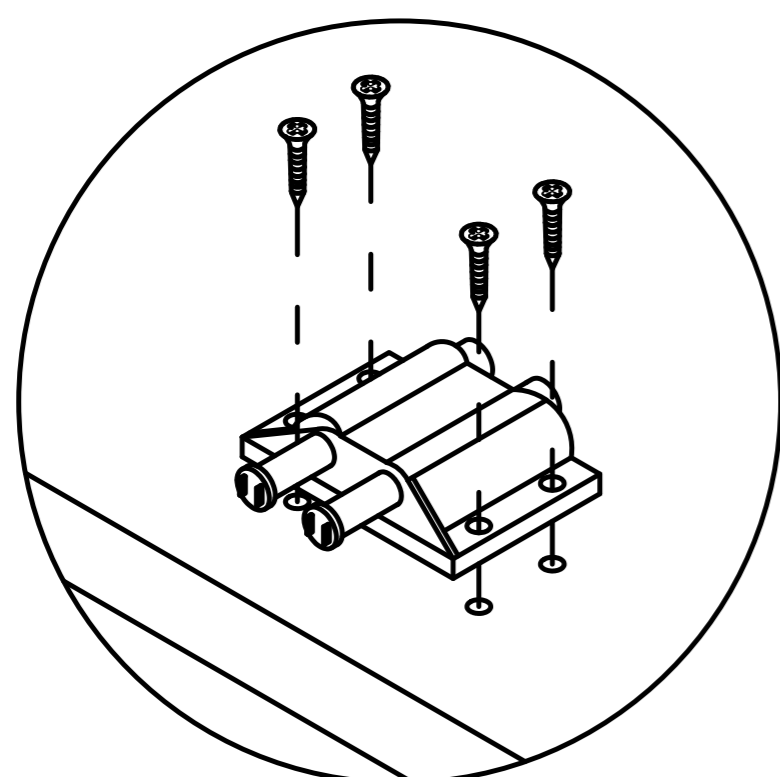
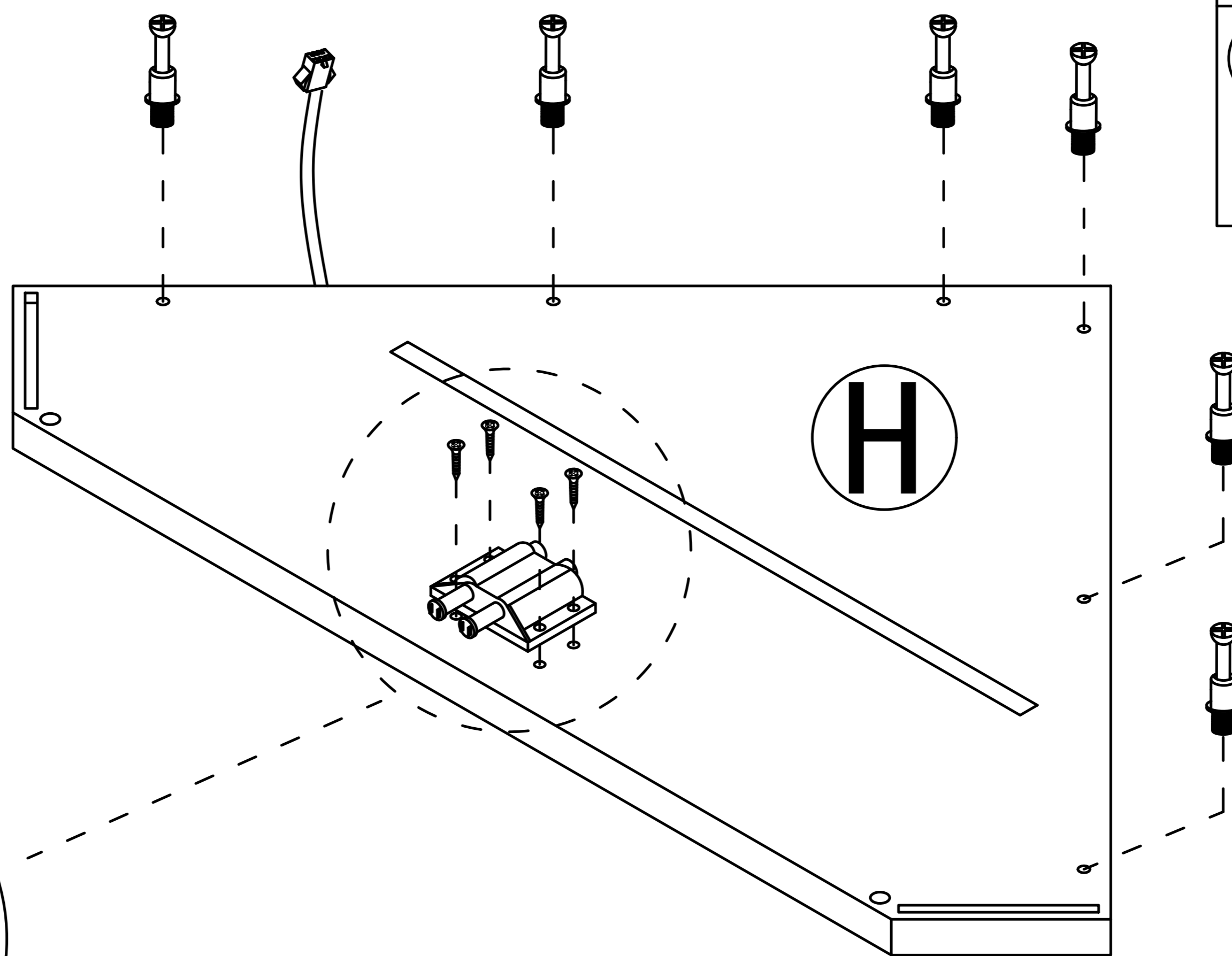
2  x6



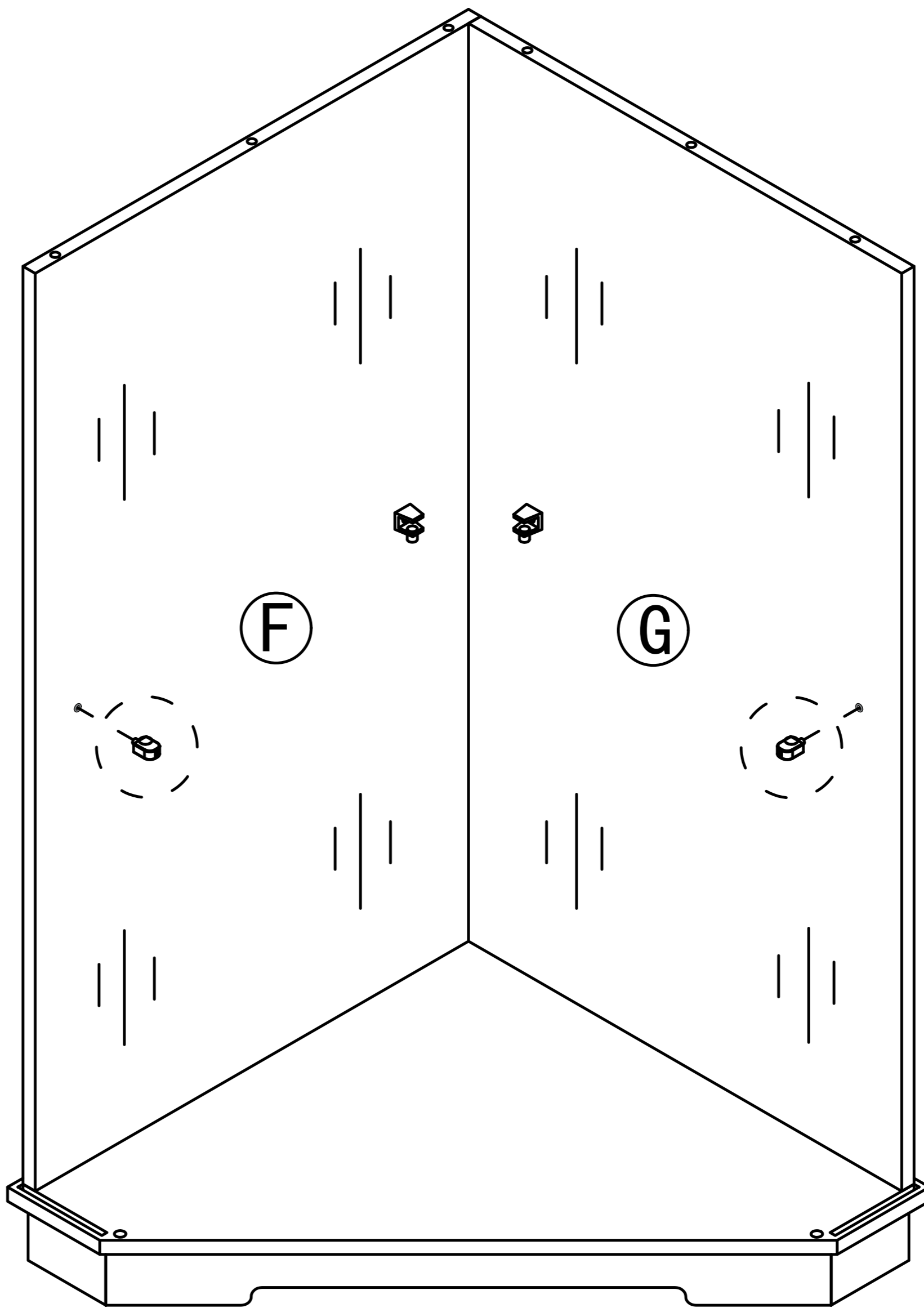
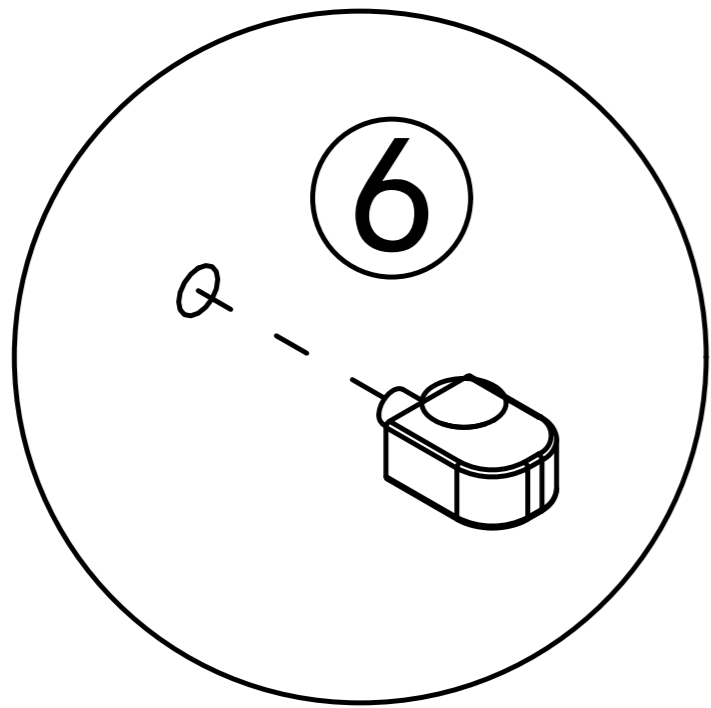
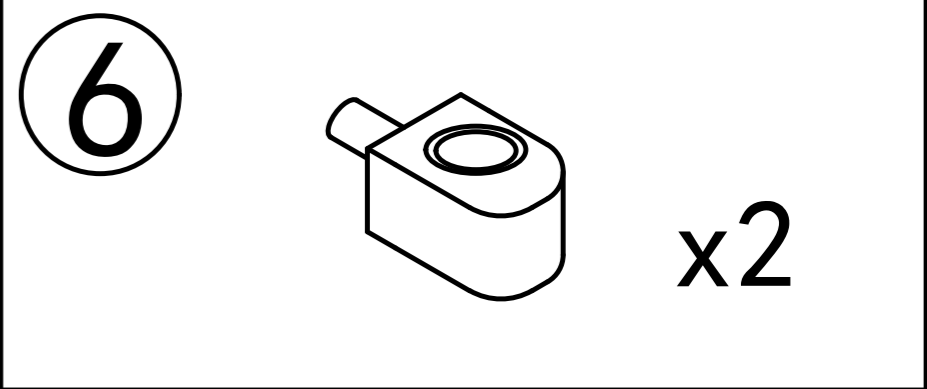
Step 15

1  x6

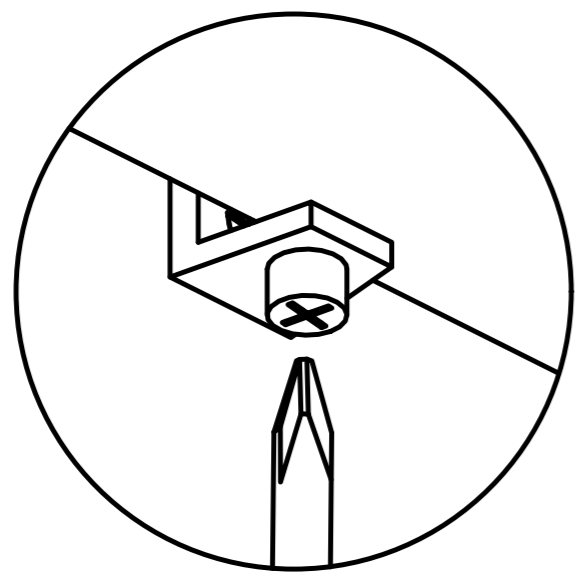
4  x1  x4



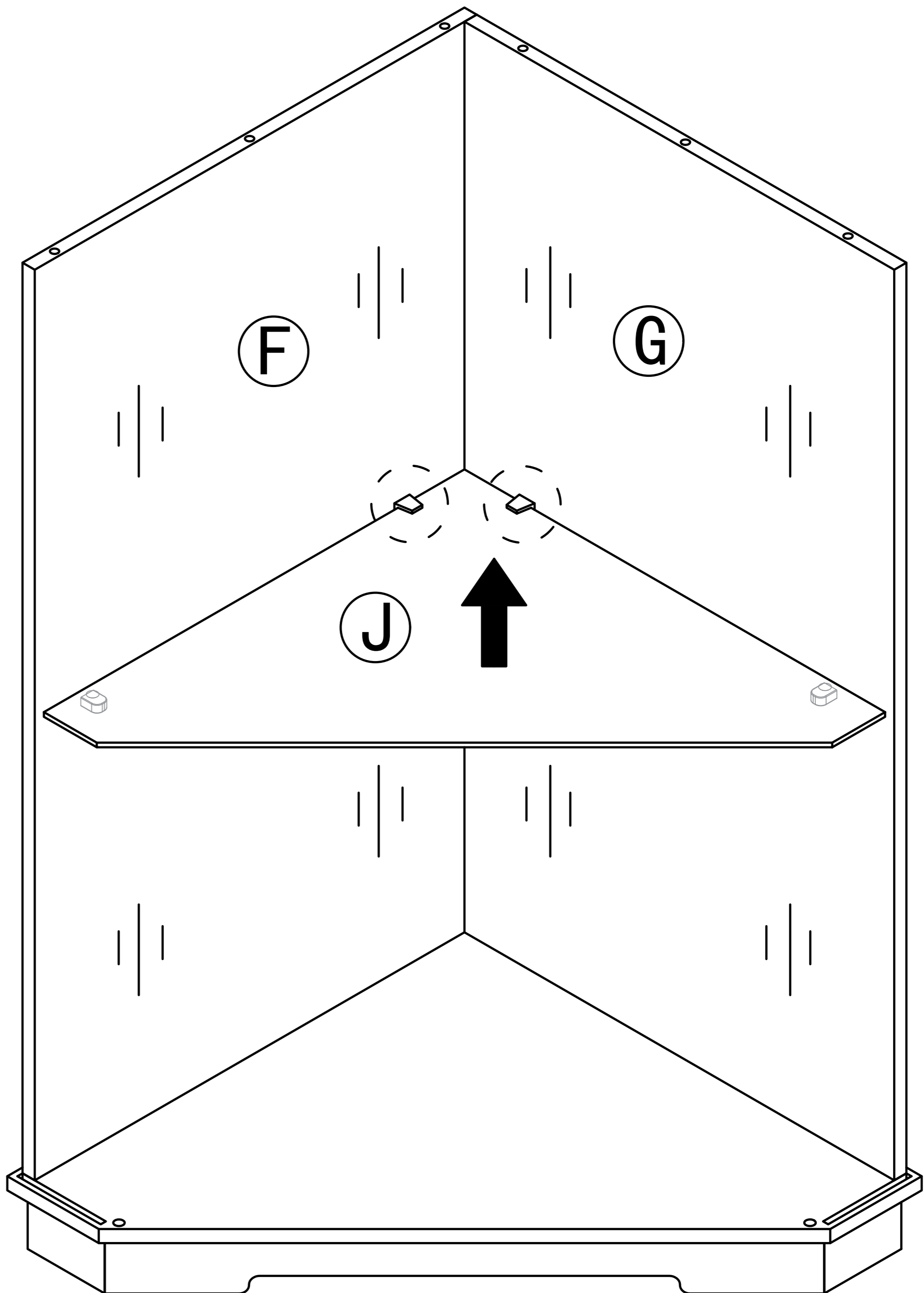
Step 16



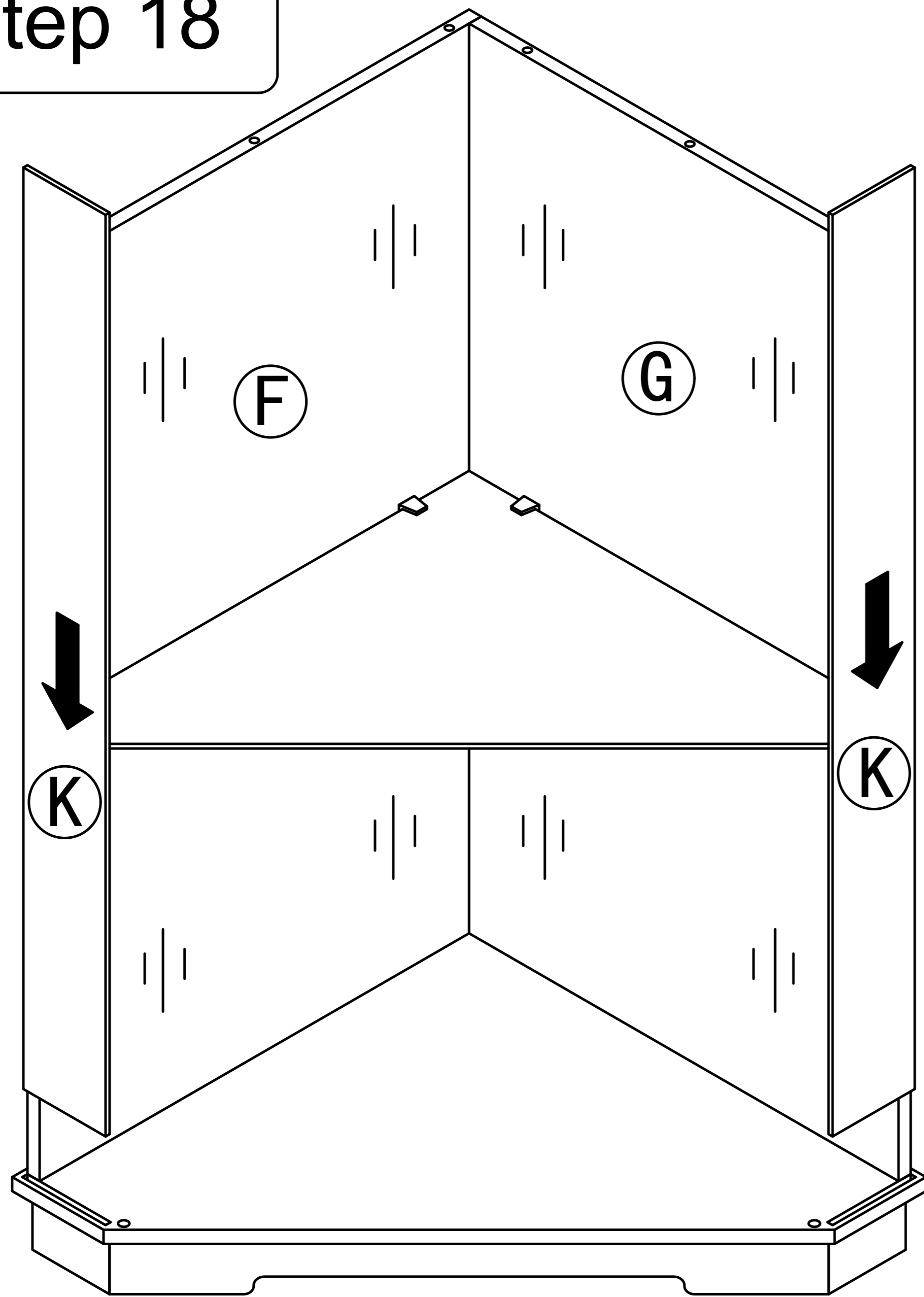
Step 17



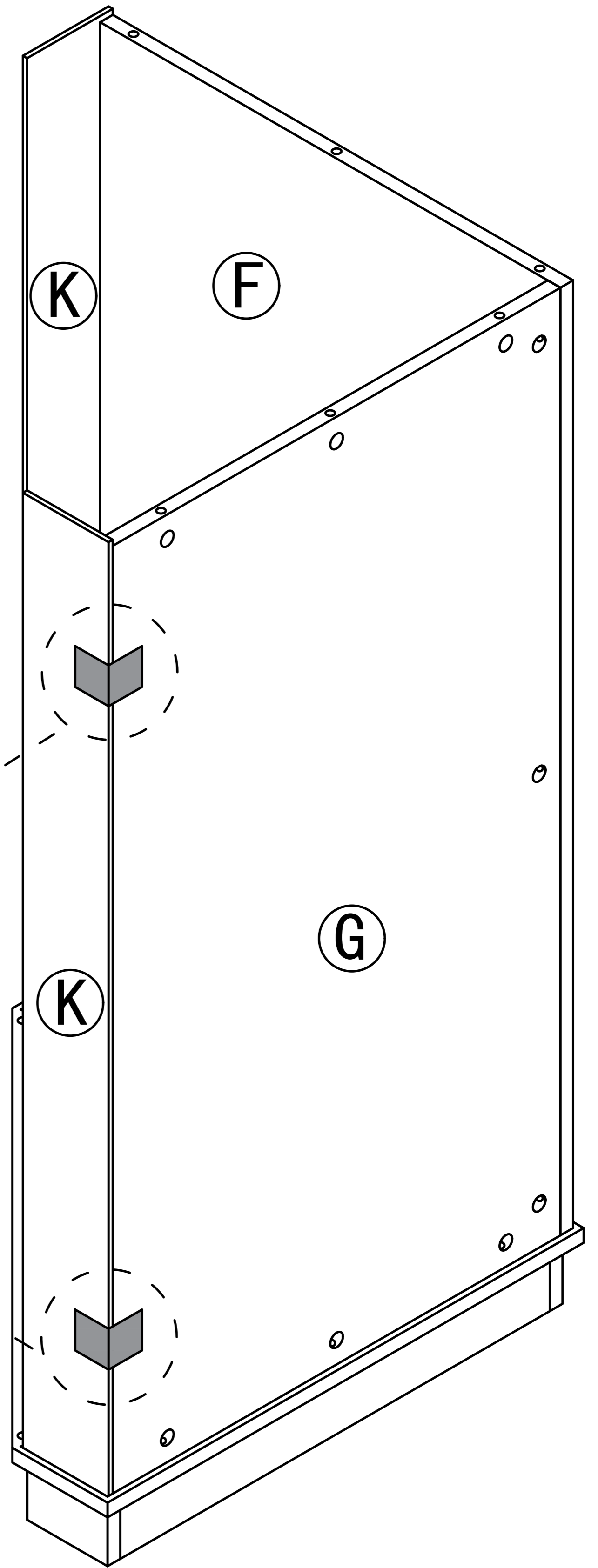
Note: after installing the J board, lock the pallet.



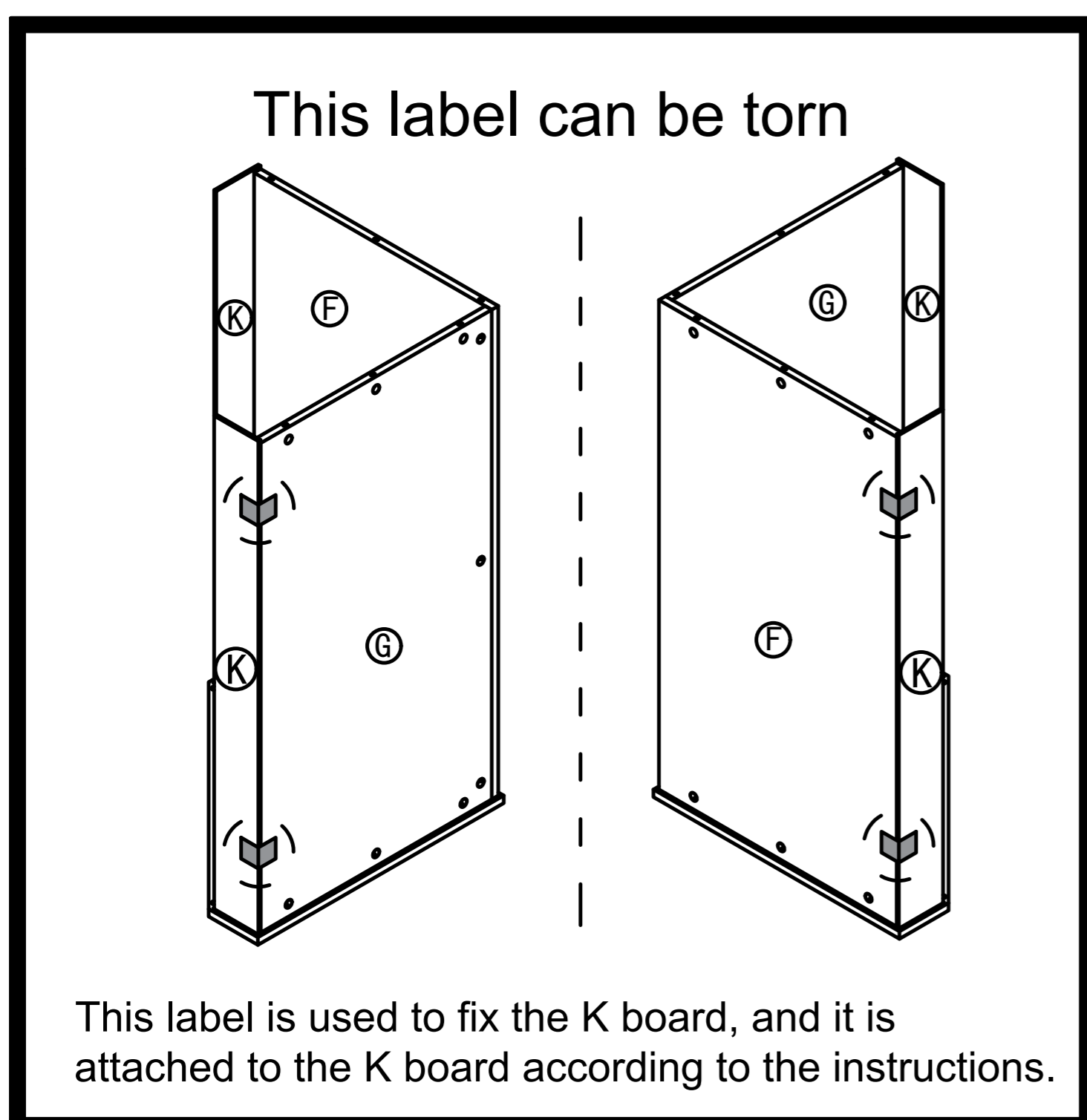
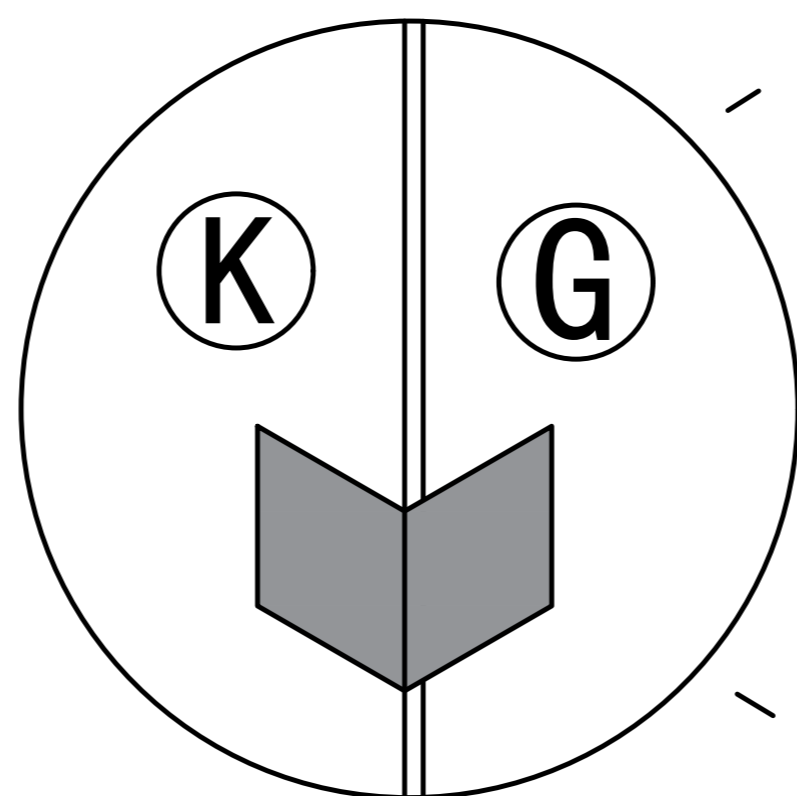
Step 18



Note: The installation method is the same on the F board.



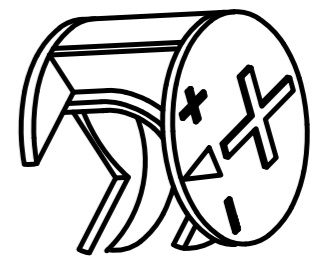
Stick this label on the K board according to the instructions.



Note: When installing the K board, one board should be fixed with a label, and then another board should be installed to prevent the K board from falling and breaking.

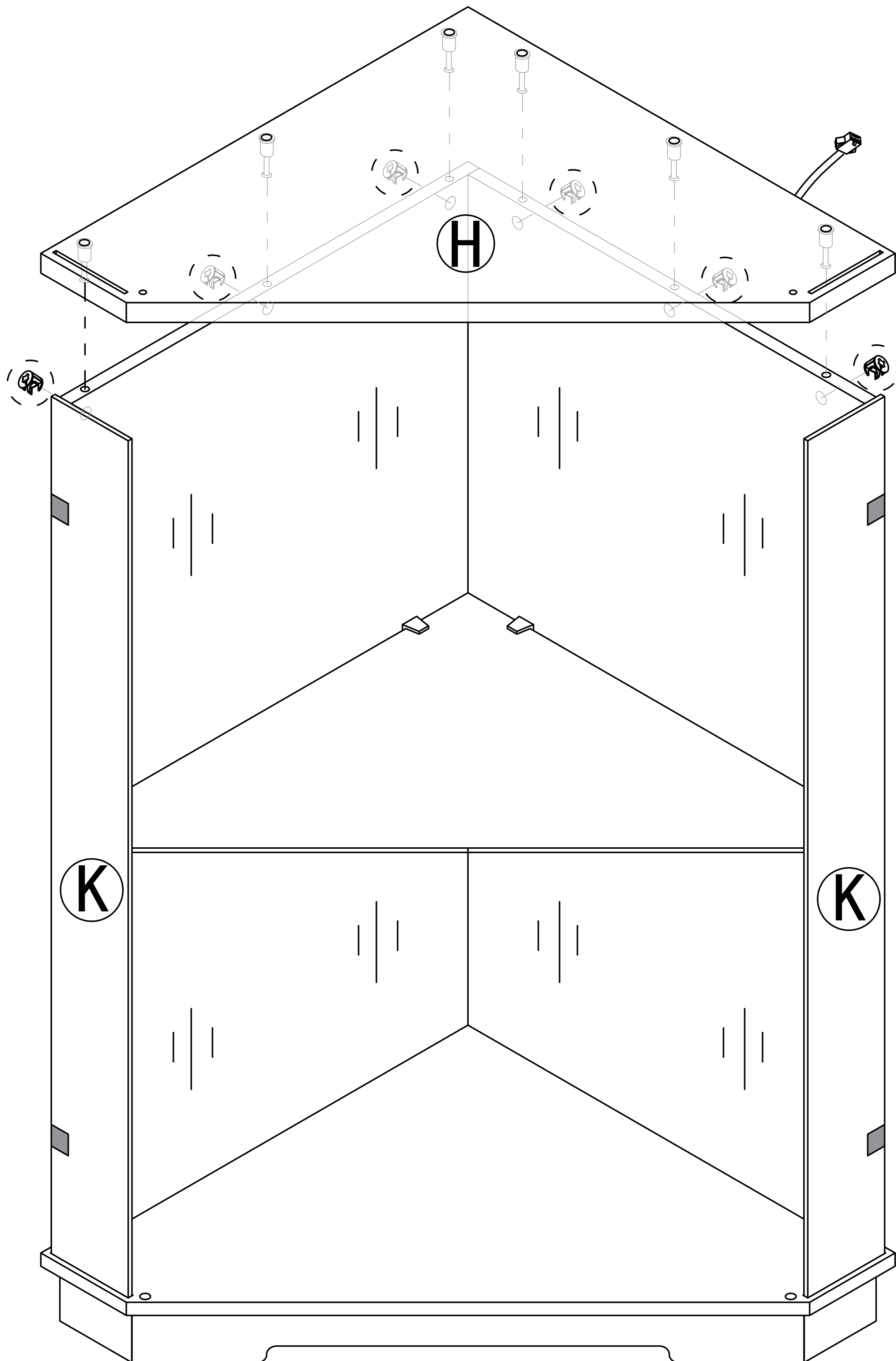
Step 19

2

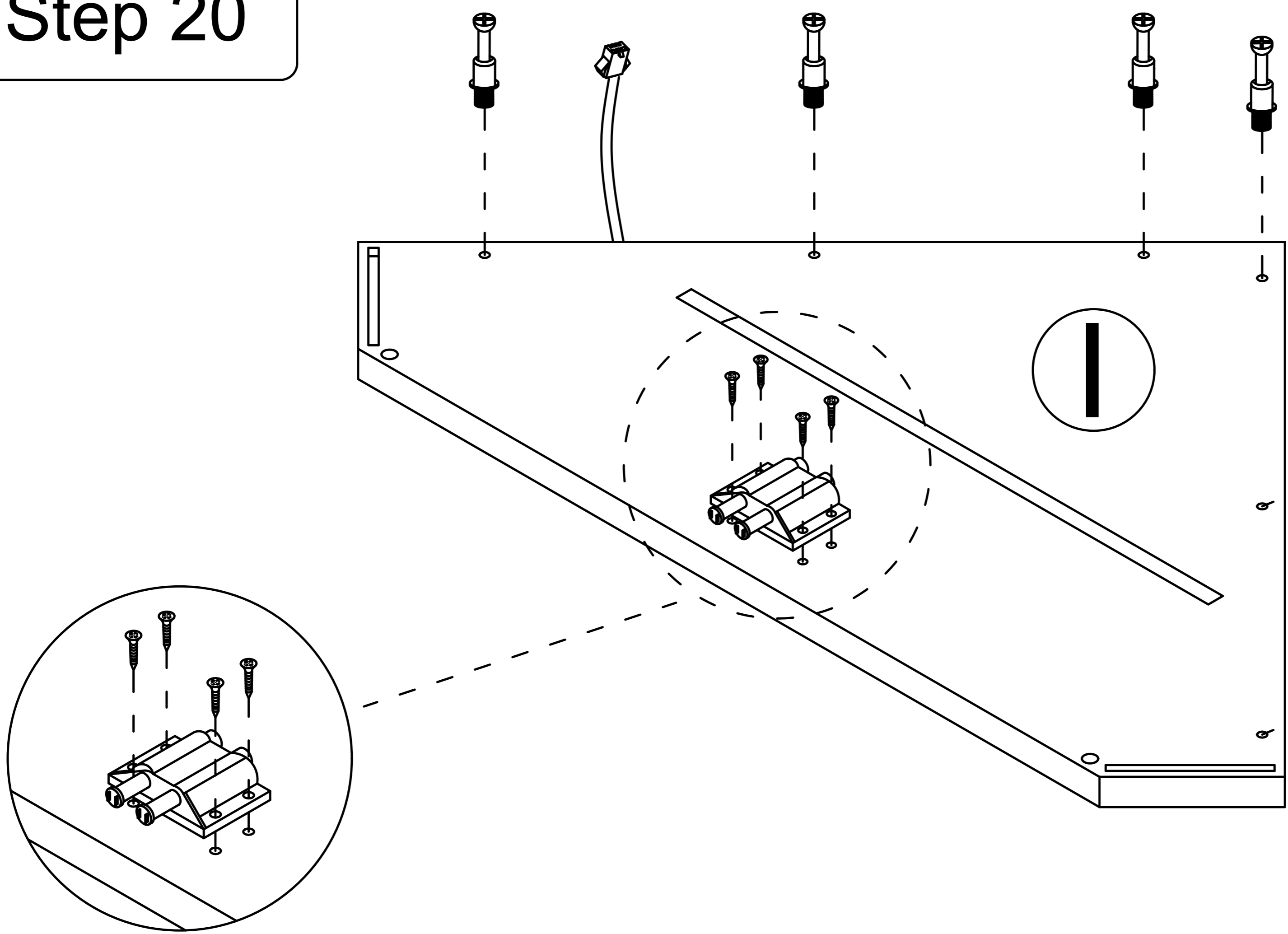


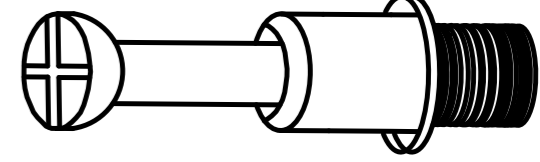
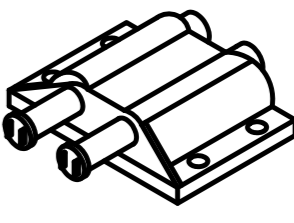
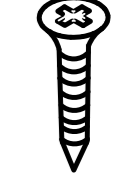
x6

After installing the H board, you can tear off the fixed paper stuck on the K board.

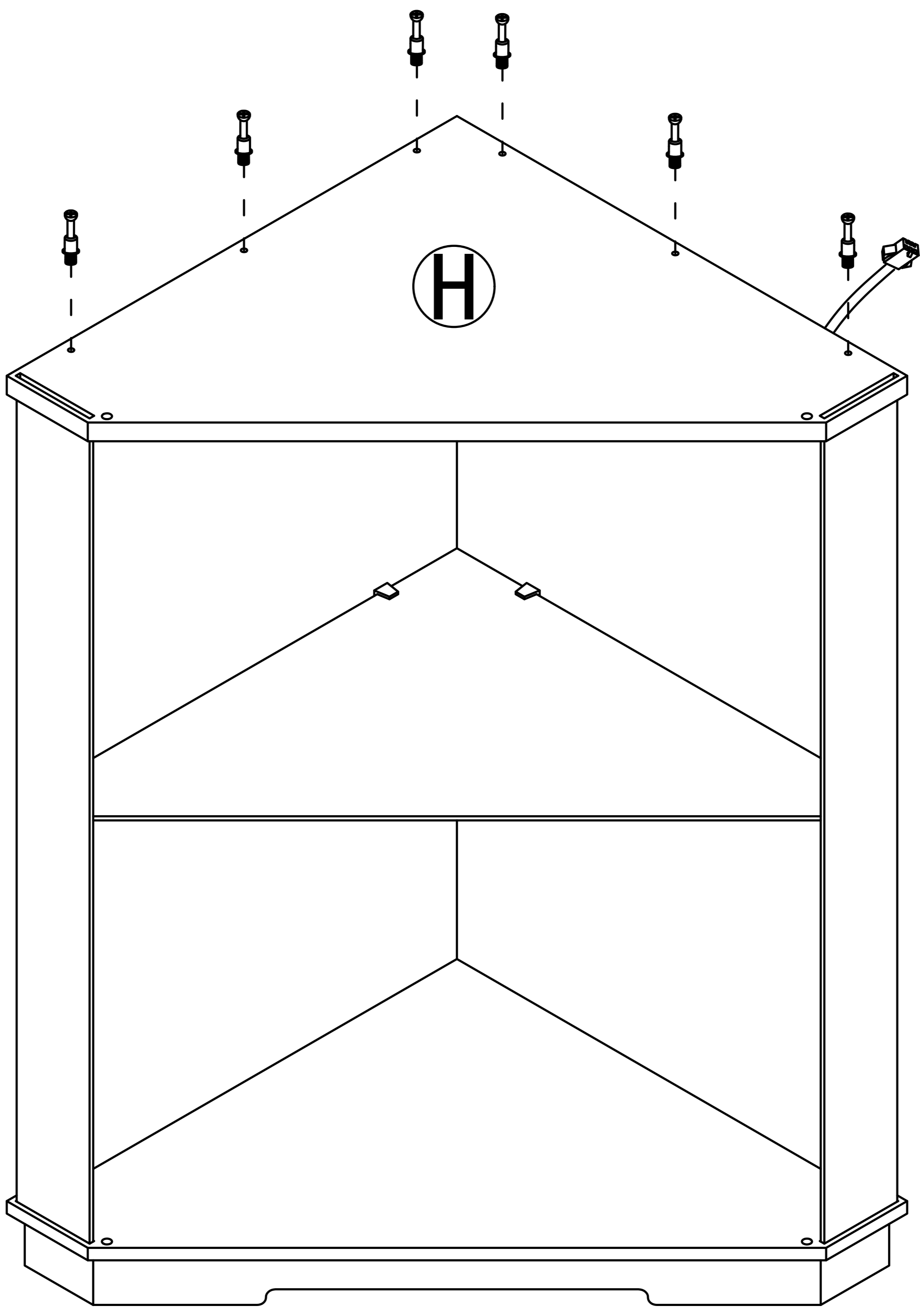


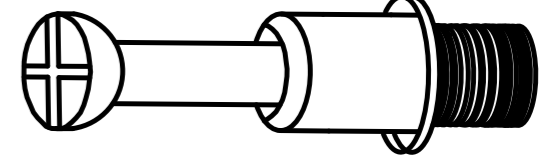
Step 20



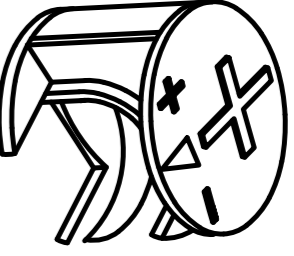
- 1  x6
- 4  x1  x4

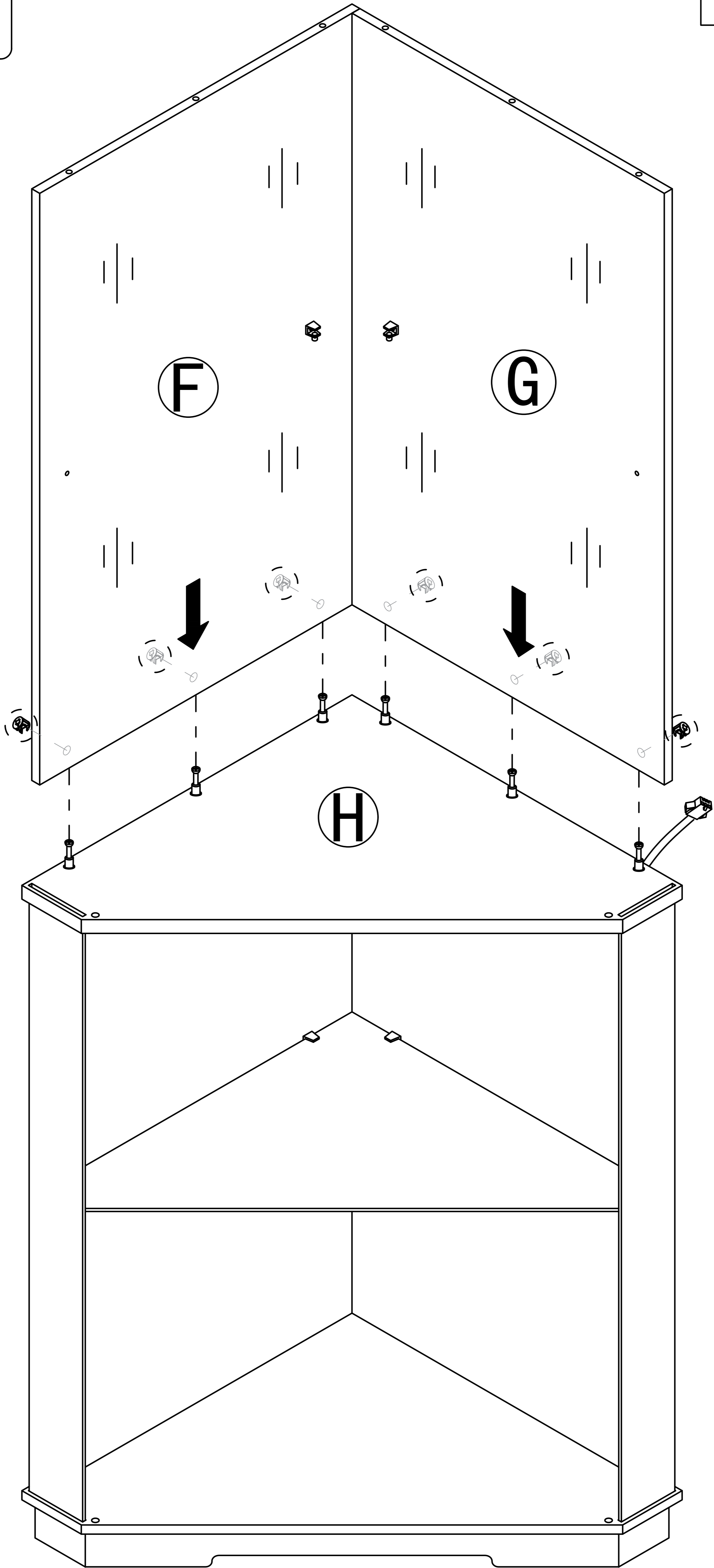
Step 21



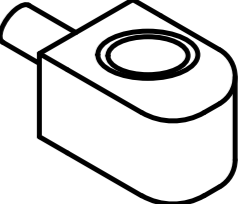
- 1  x6

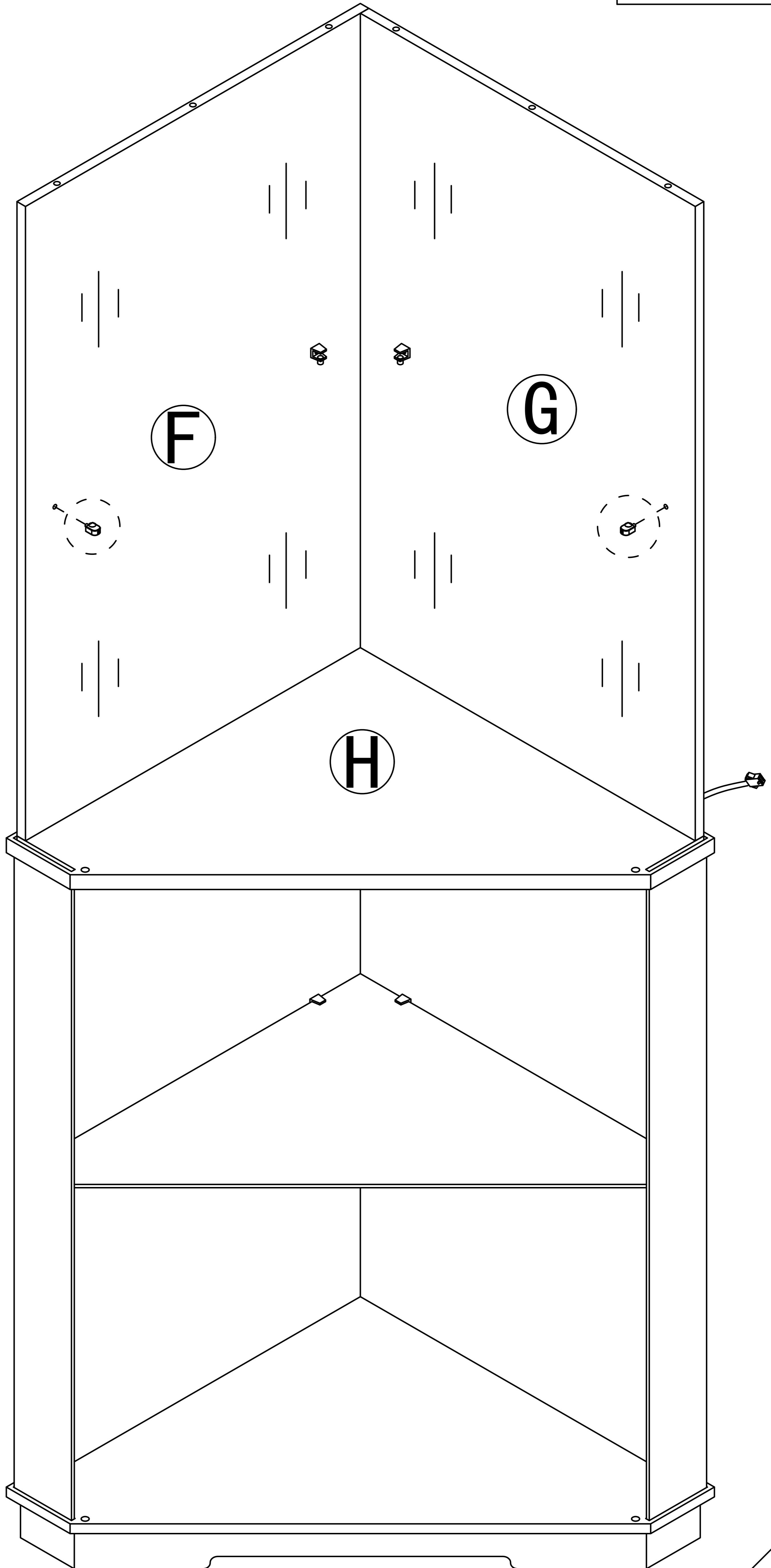
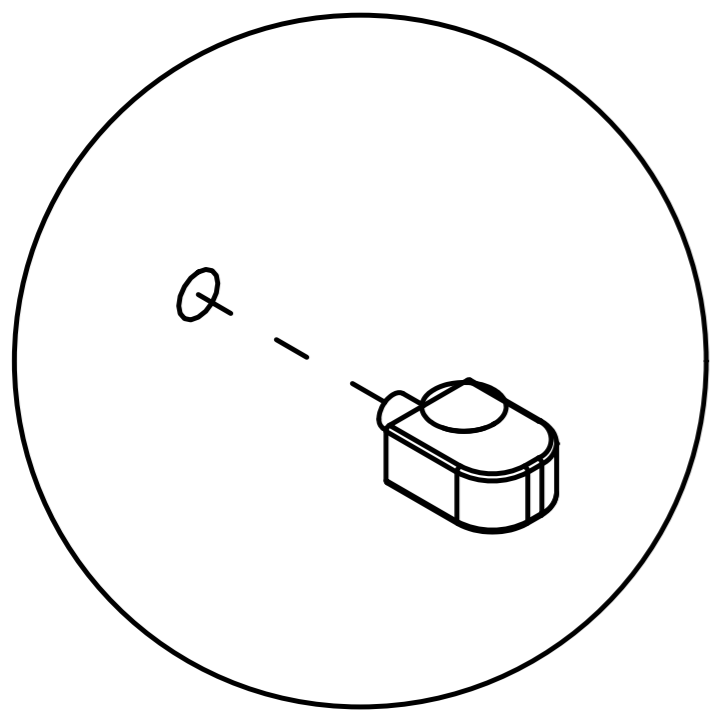
Step 22

2  x6



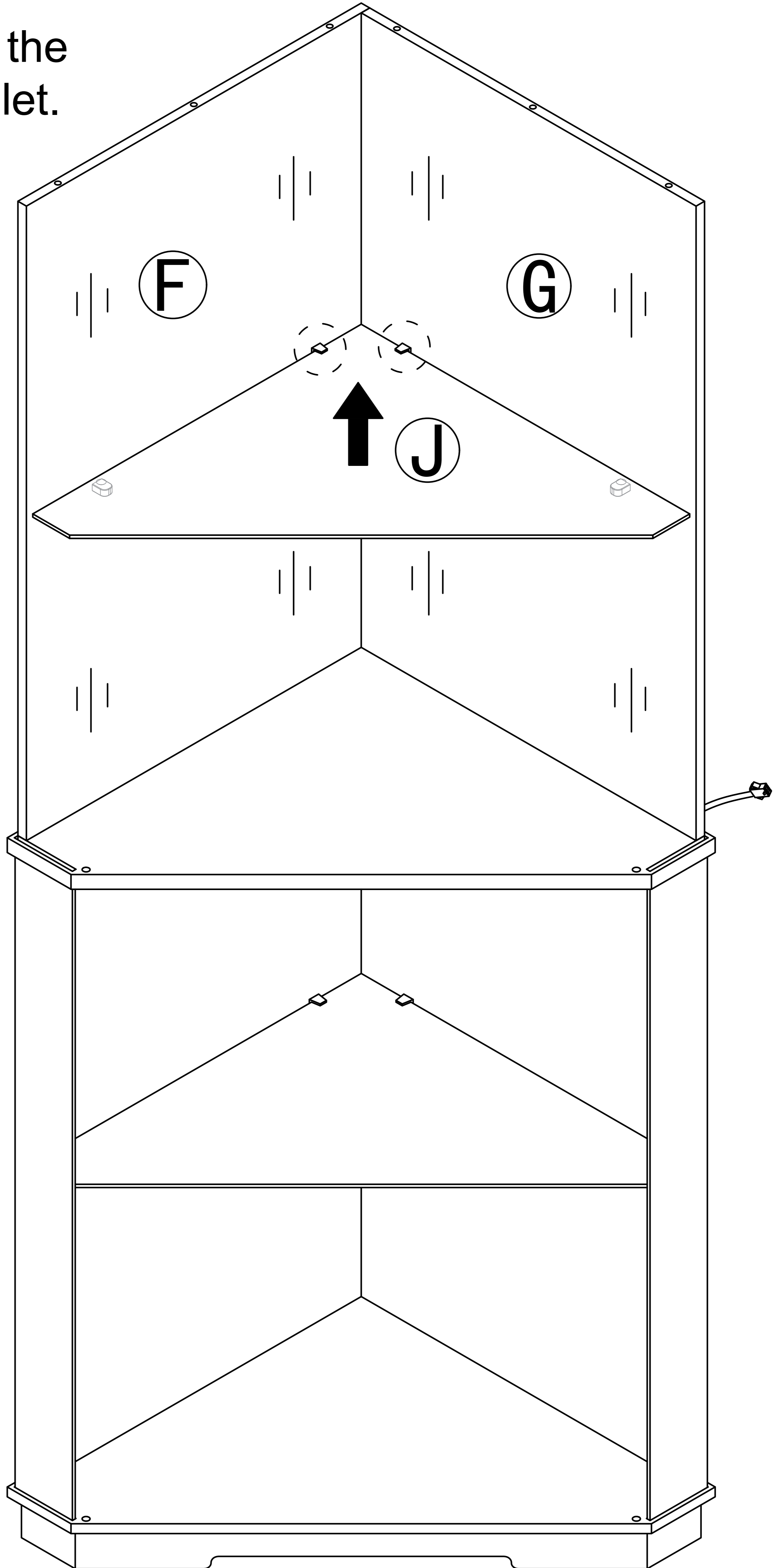
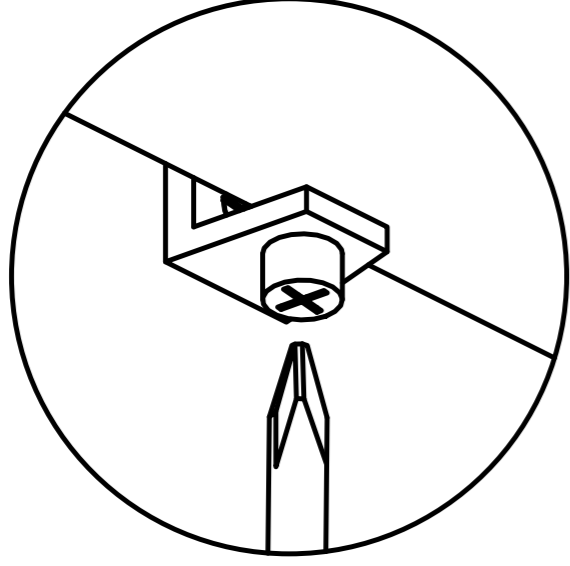
Step 23

6  x2

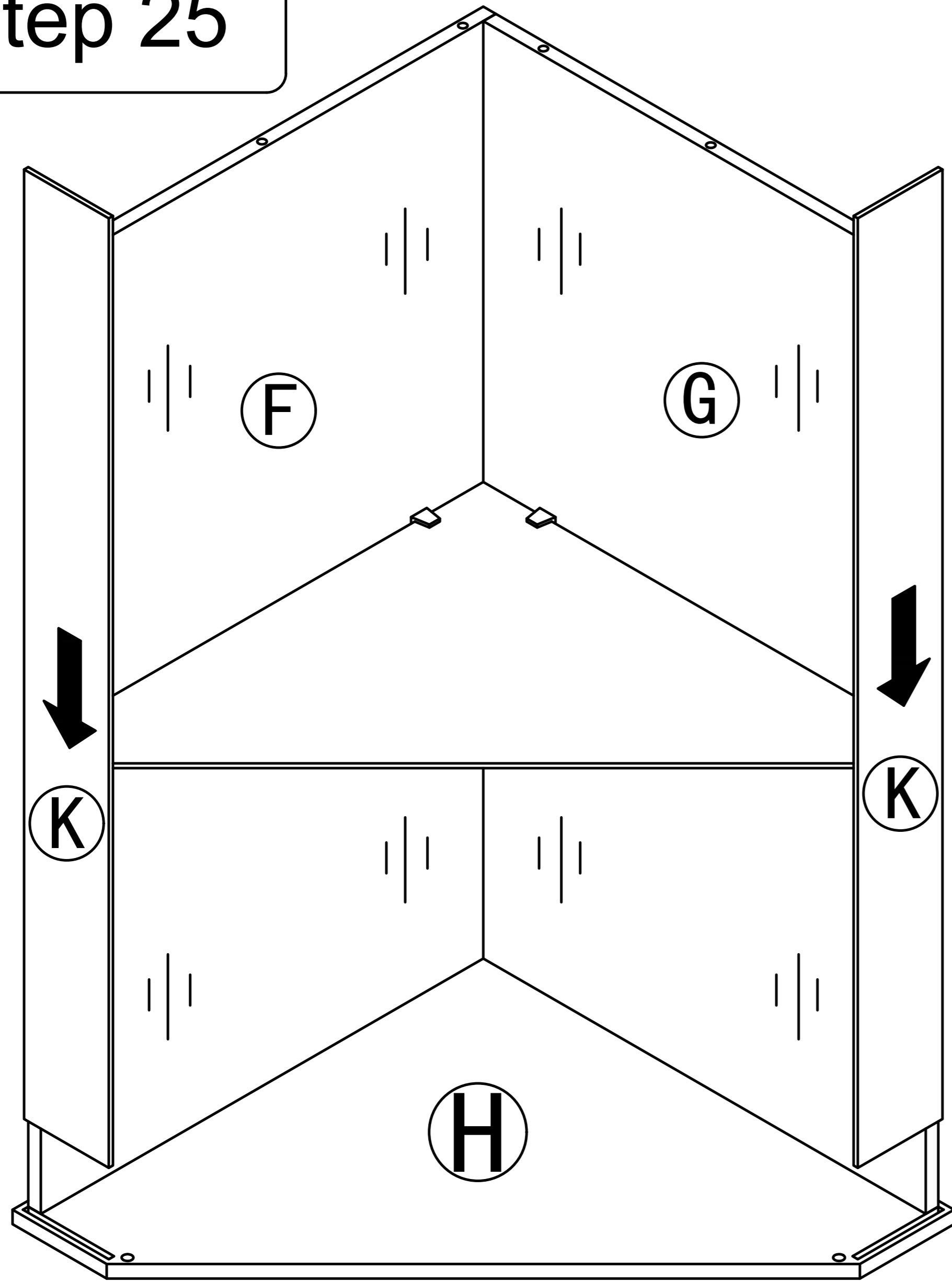


Step 24

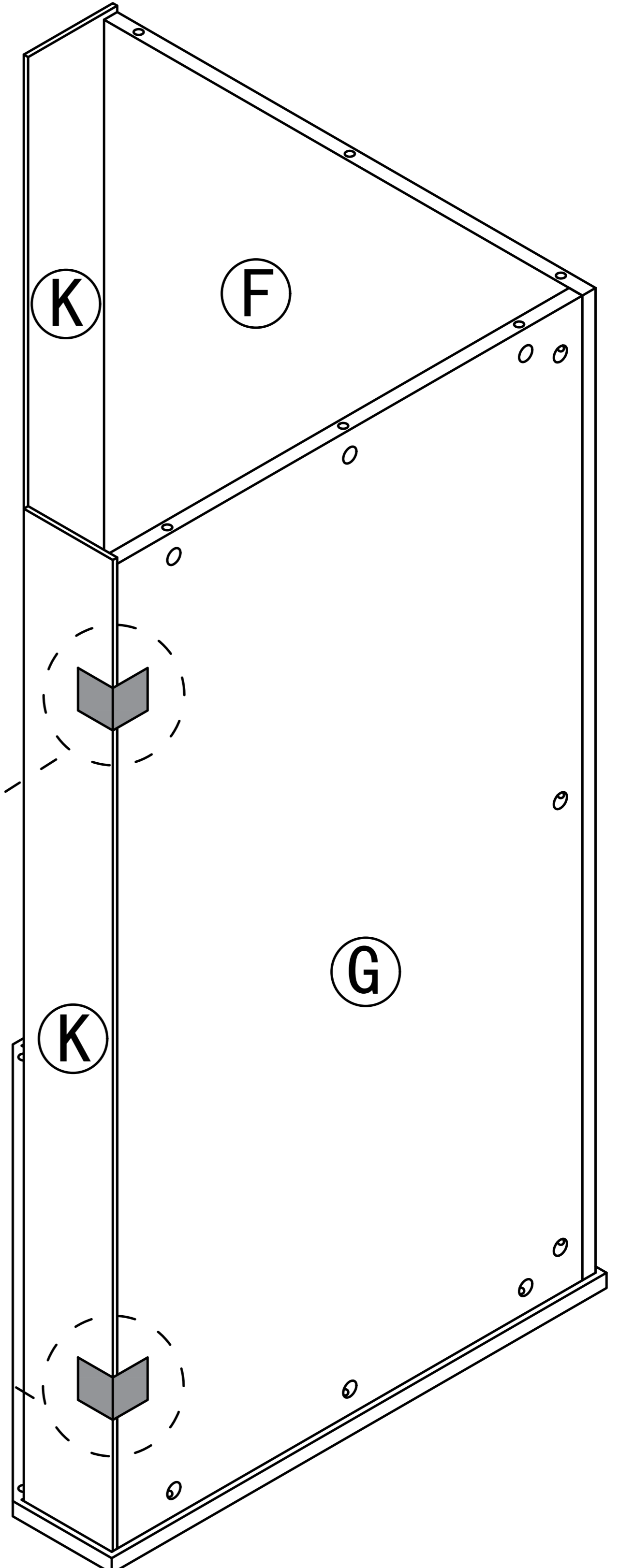
Note: after installing the J board, lock the pallet.



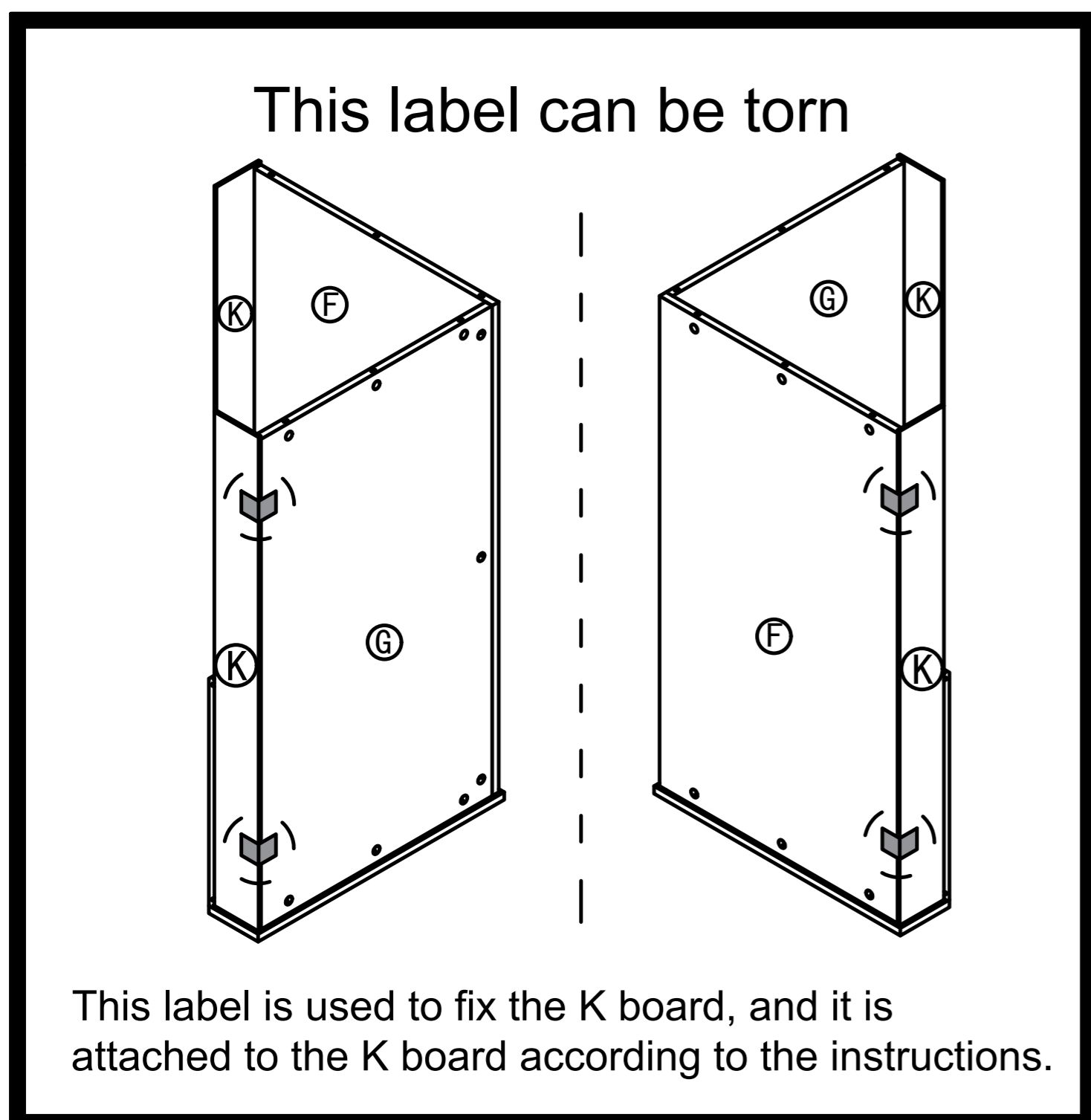
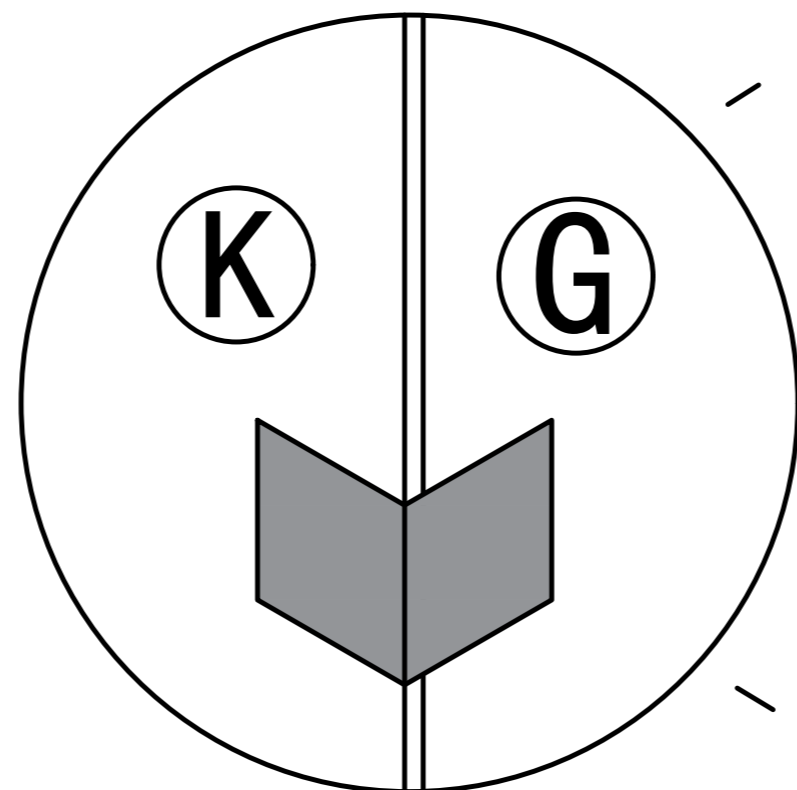
Step 25



Note: The installation method is the same on the F board.



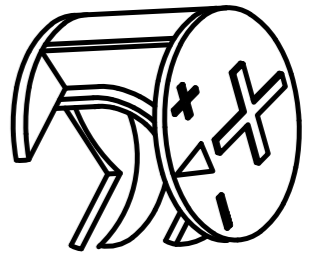
Stick this label on the K board according to the instructions.



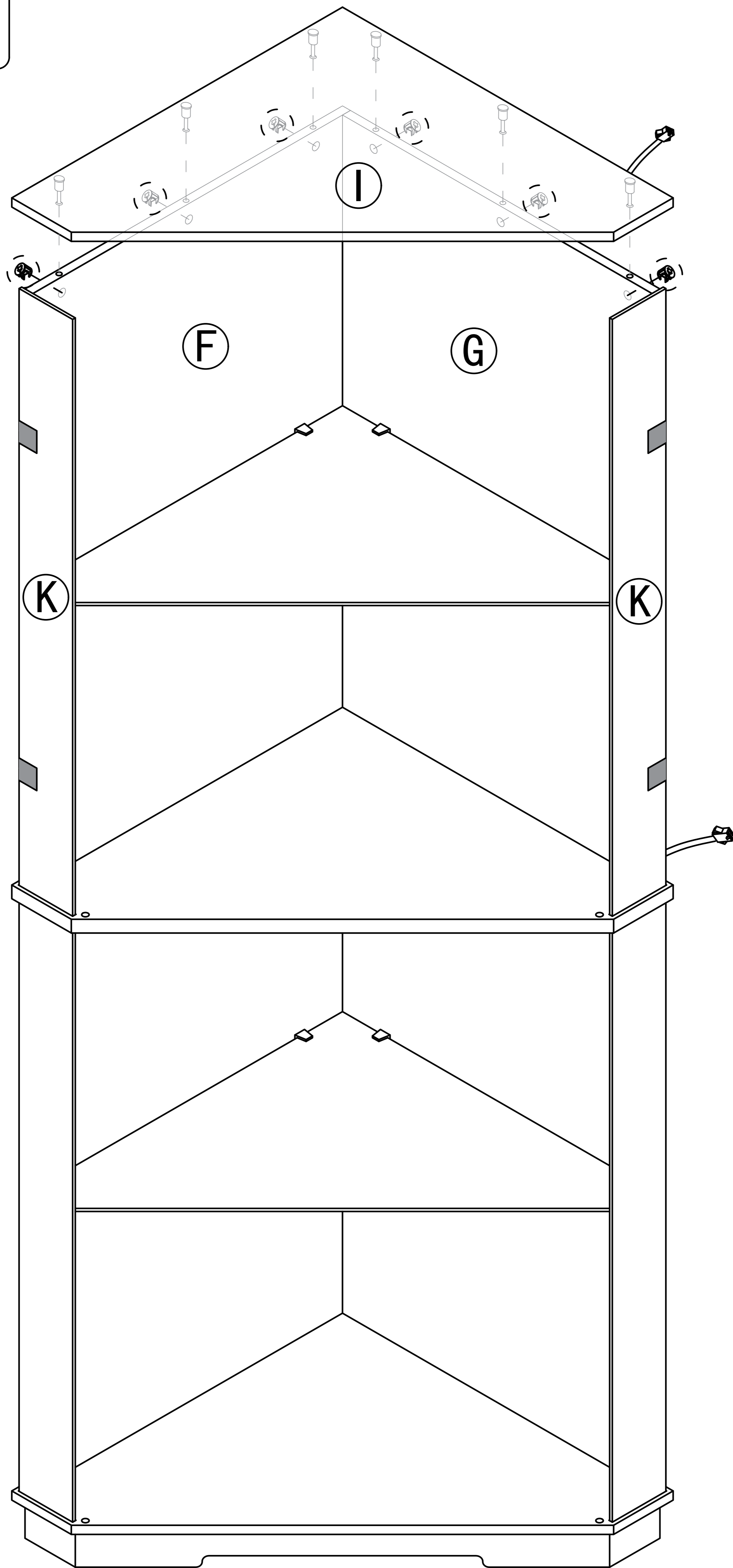
Note: When installing the K board, one board should be fixed with a label, and then another board should be installed to prevent the K board from falling and breaking.

Step 26

2



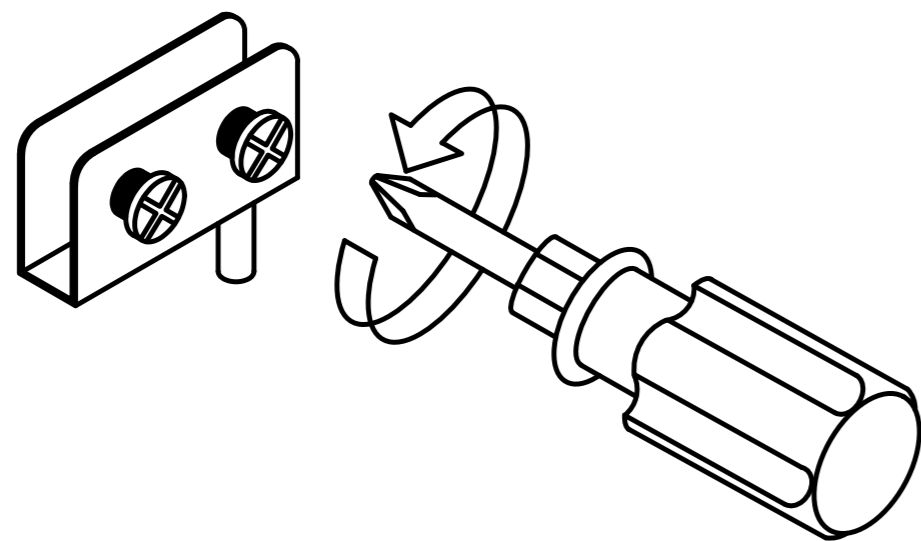
x6



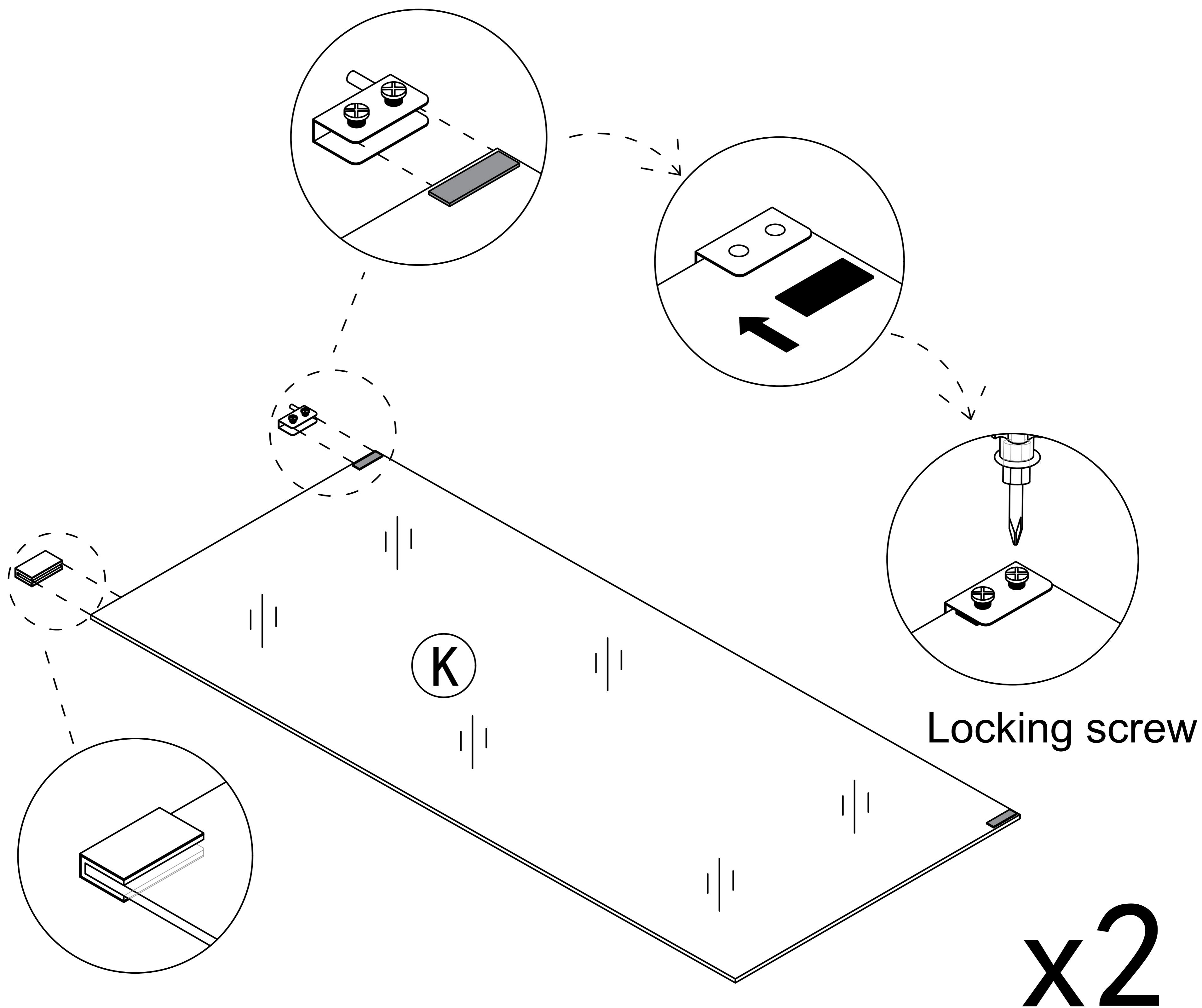
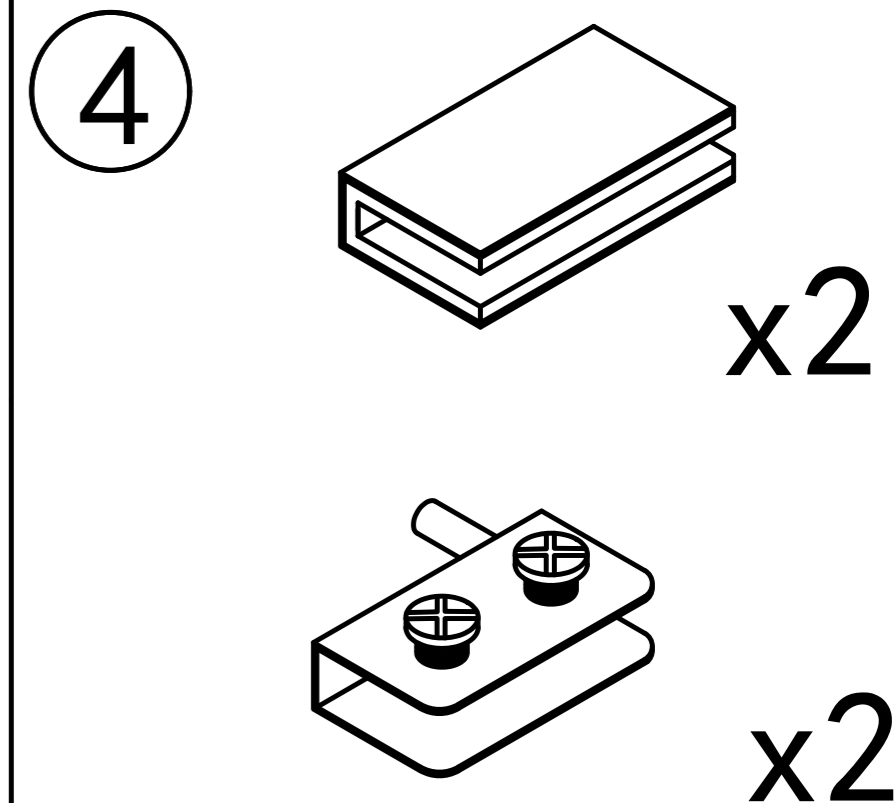
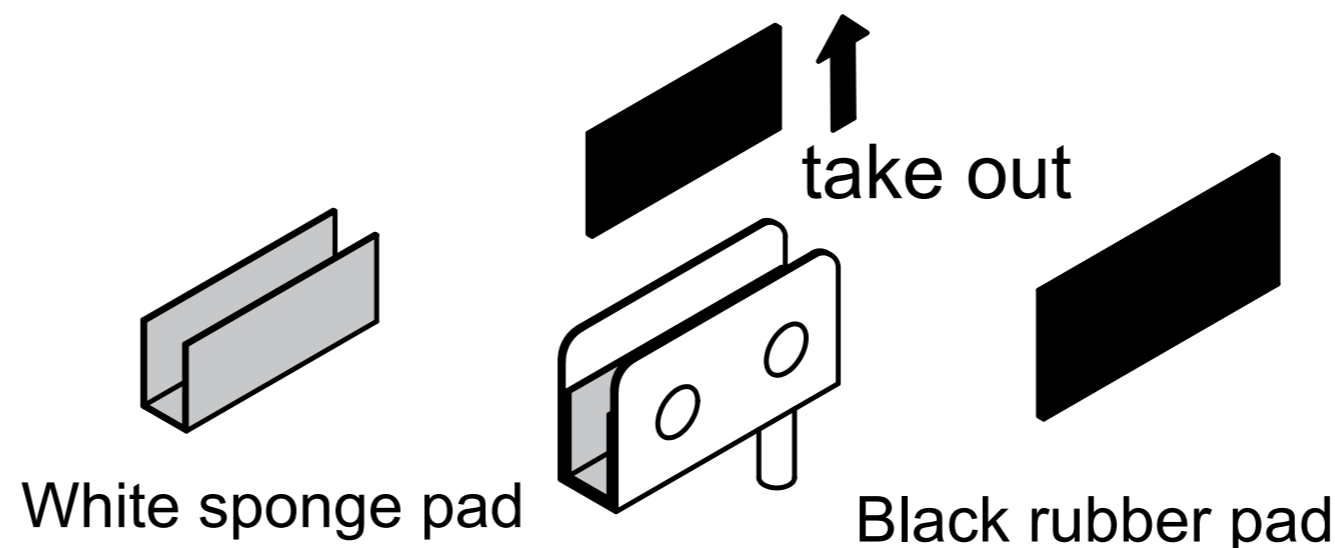
After installing the I board, you can tear off the fixed paper stuck on the K board.

Step 27

First, completely unscrew the screws on the parts



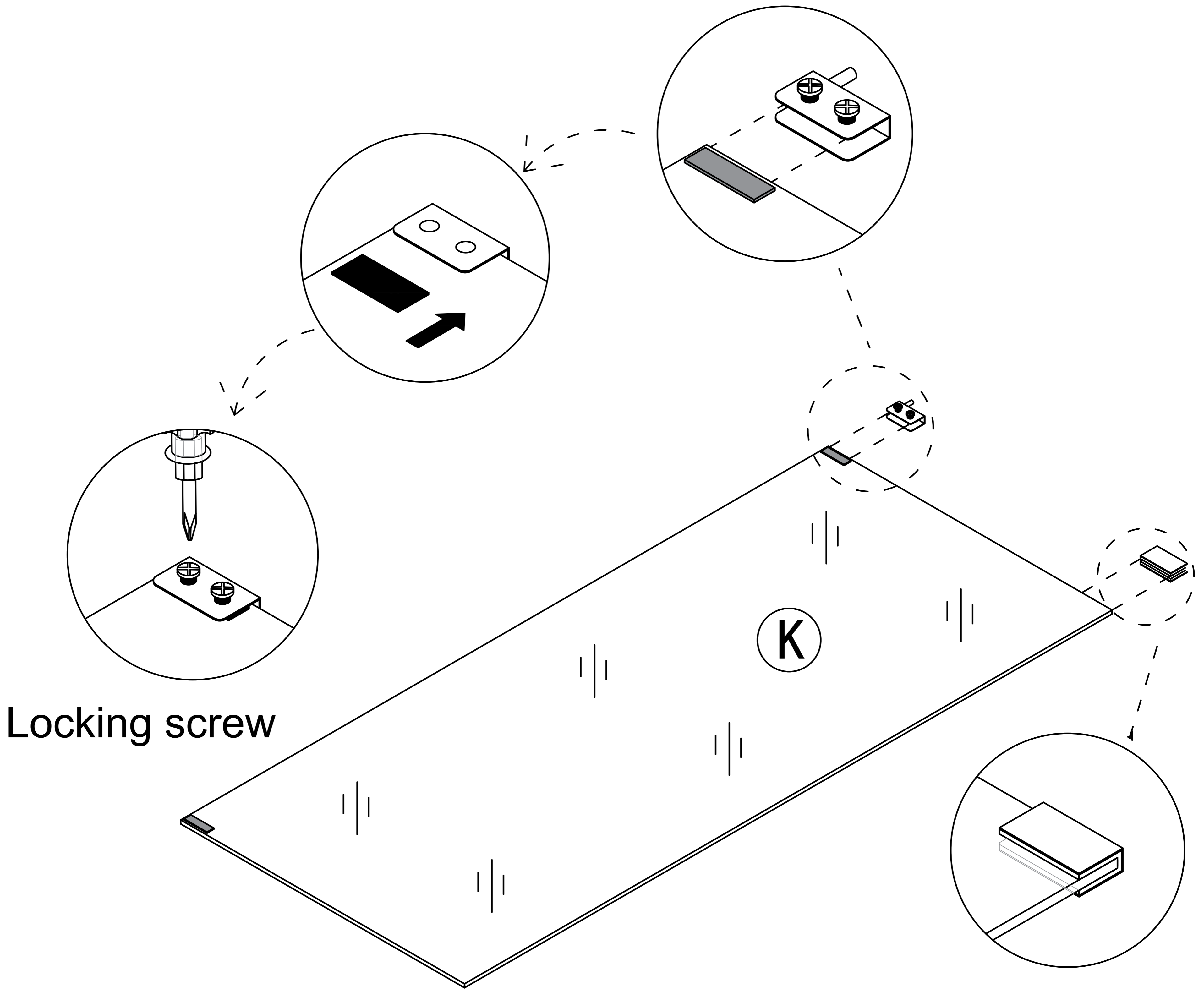
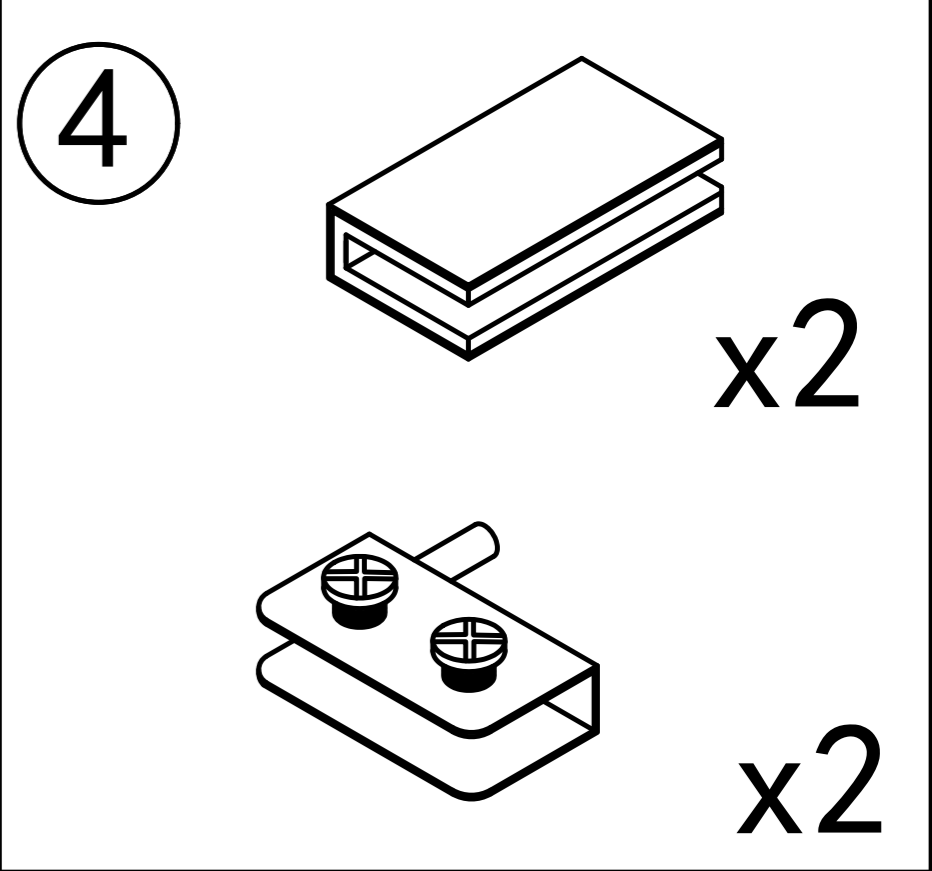
Then take out the black rubber pad from the inside of the part, and the white sponge remains unchanged inside the part.



Pay attention to the direction of the door hinge, rotate the screws to compress the black gasket, and do not place it in the opposite direction

Place the black gasket on the side where the screws are installed

Step 28



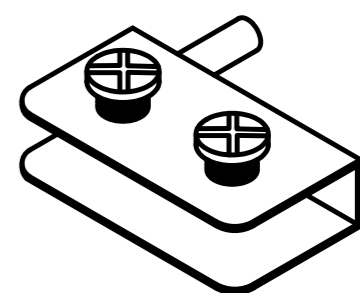
Pay attention to the direction of the door hinge, rotate the screws to compress the black gasket, and do not place it in the opposite direction

x2

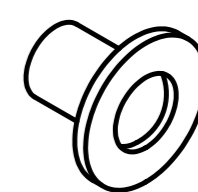
Place the black gasket on the side where the screws are installed

Step 29

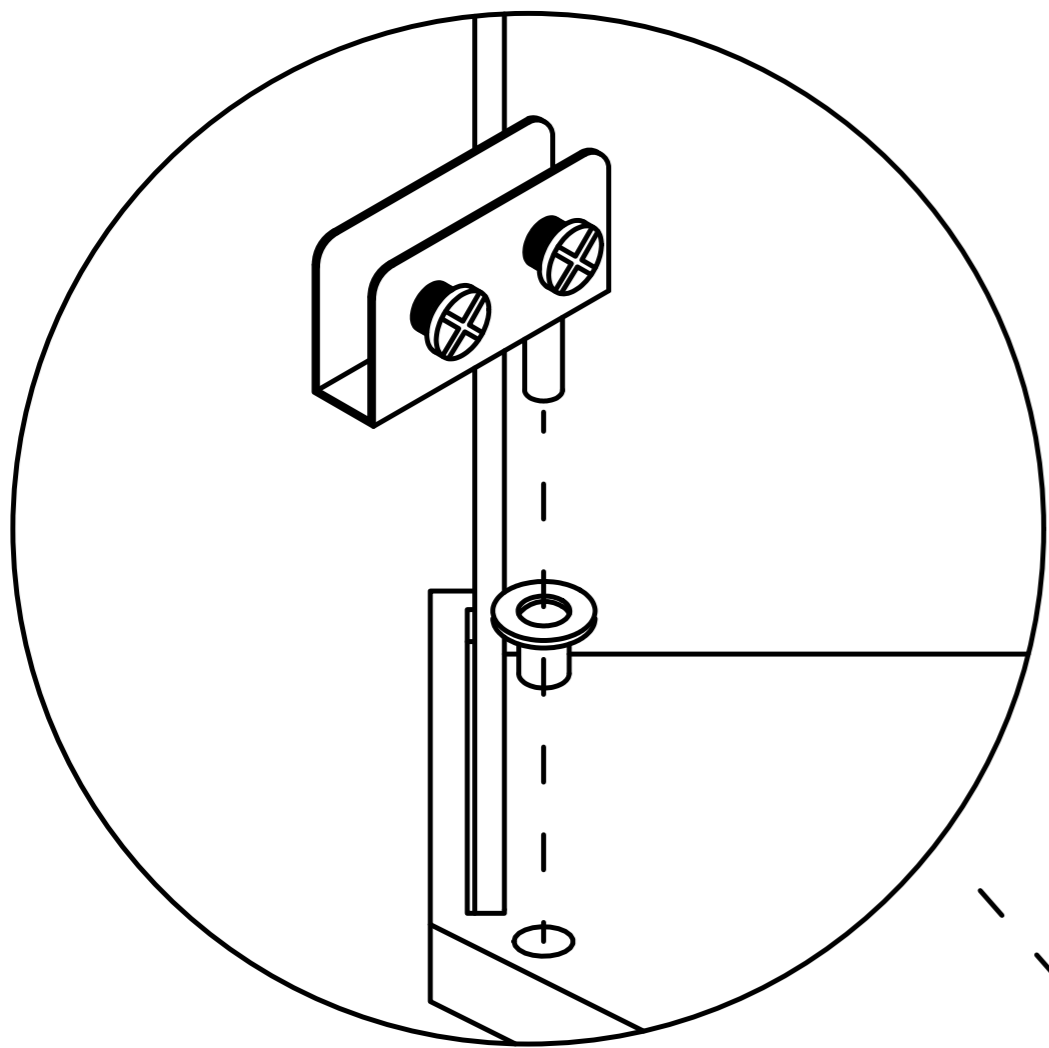
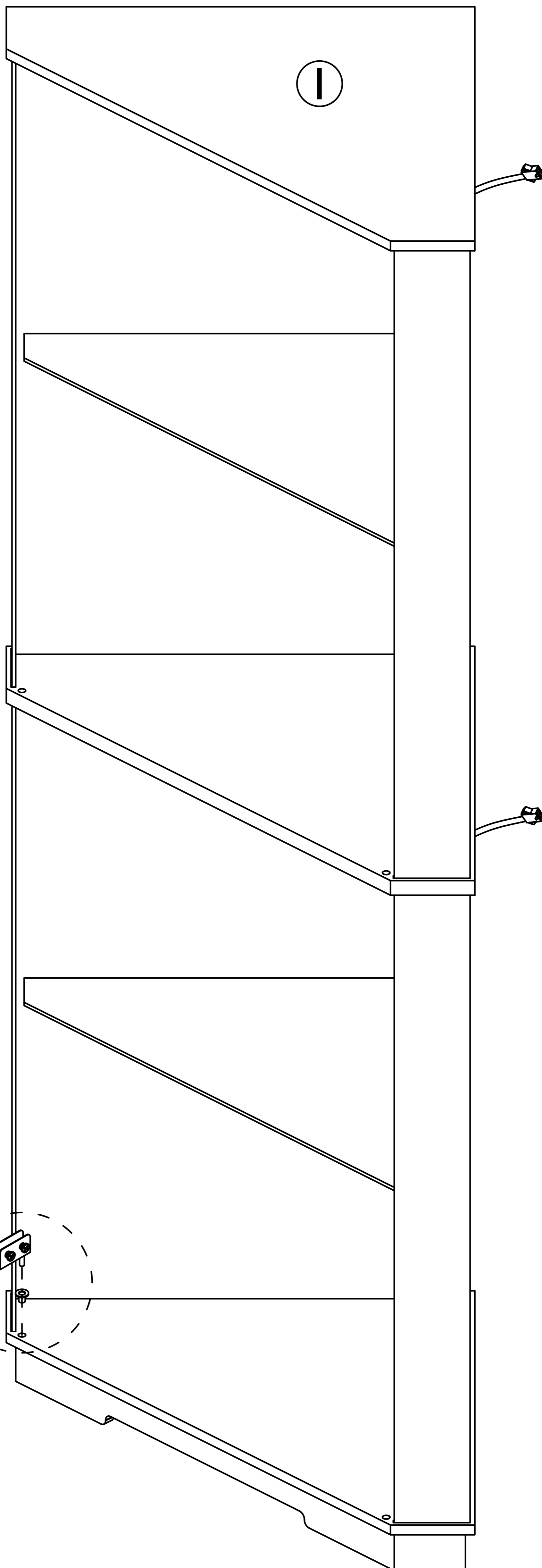
4



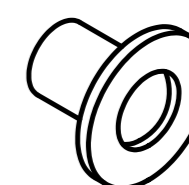
x1



x1



4

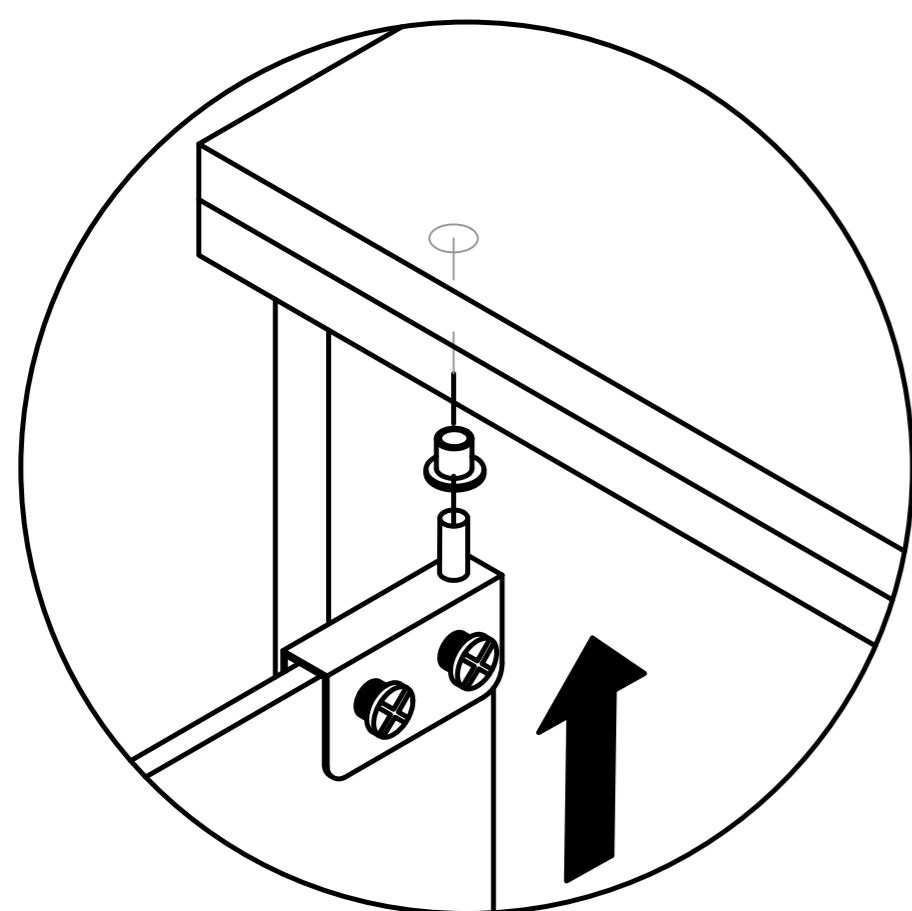


x1

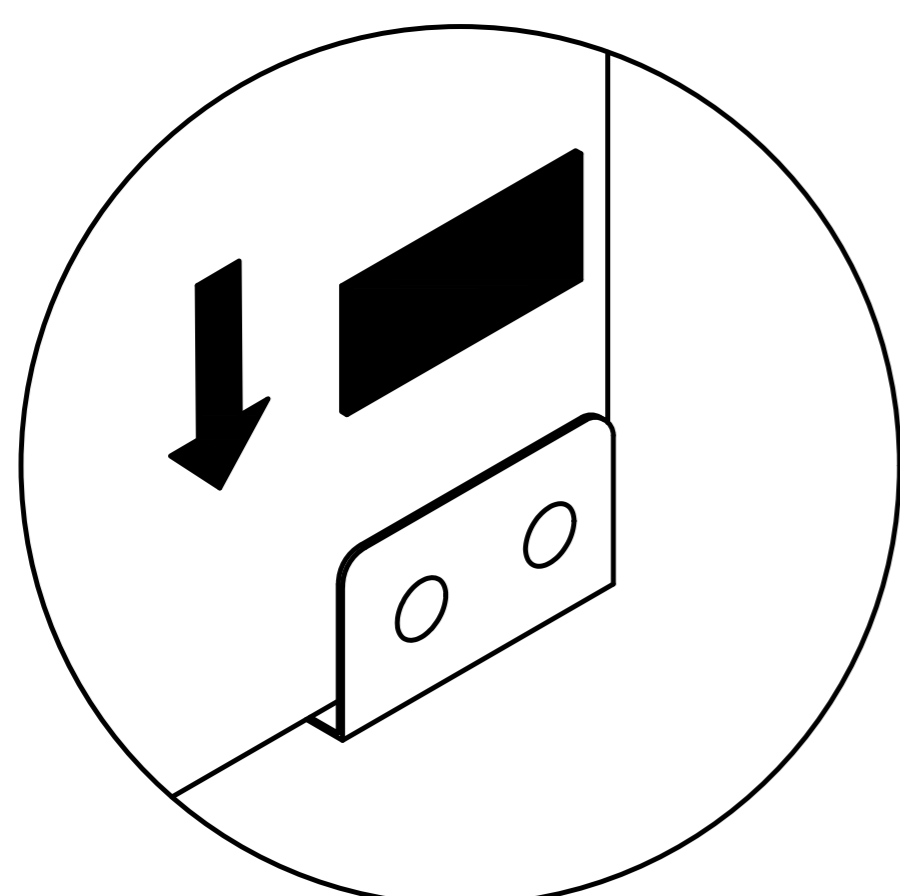
Step 30

Pay attention to the direction of the door hinge during installation

When installing a glass door, it is recommended to have two people install it to avoid the glass door colliding or hitting oneself.

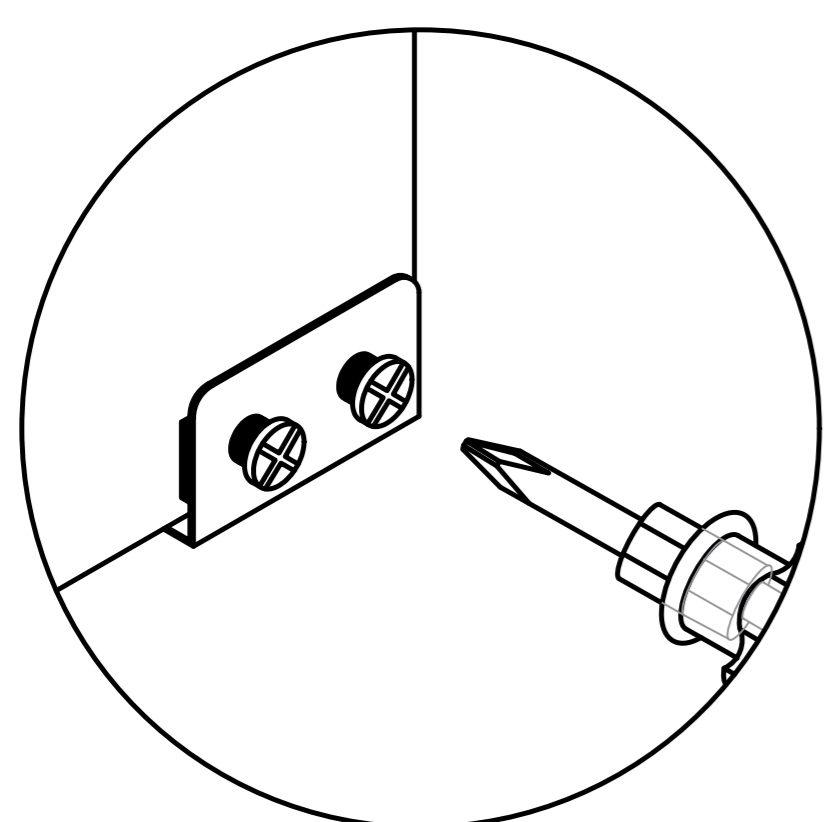


first



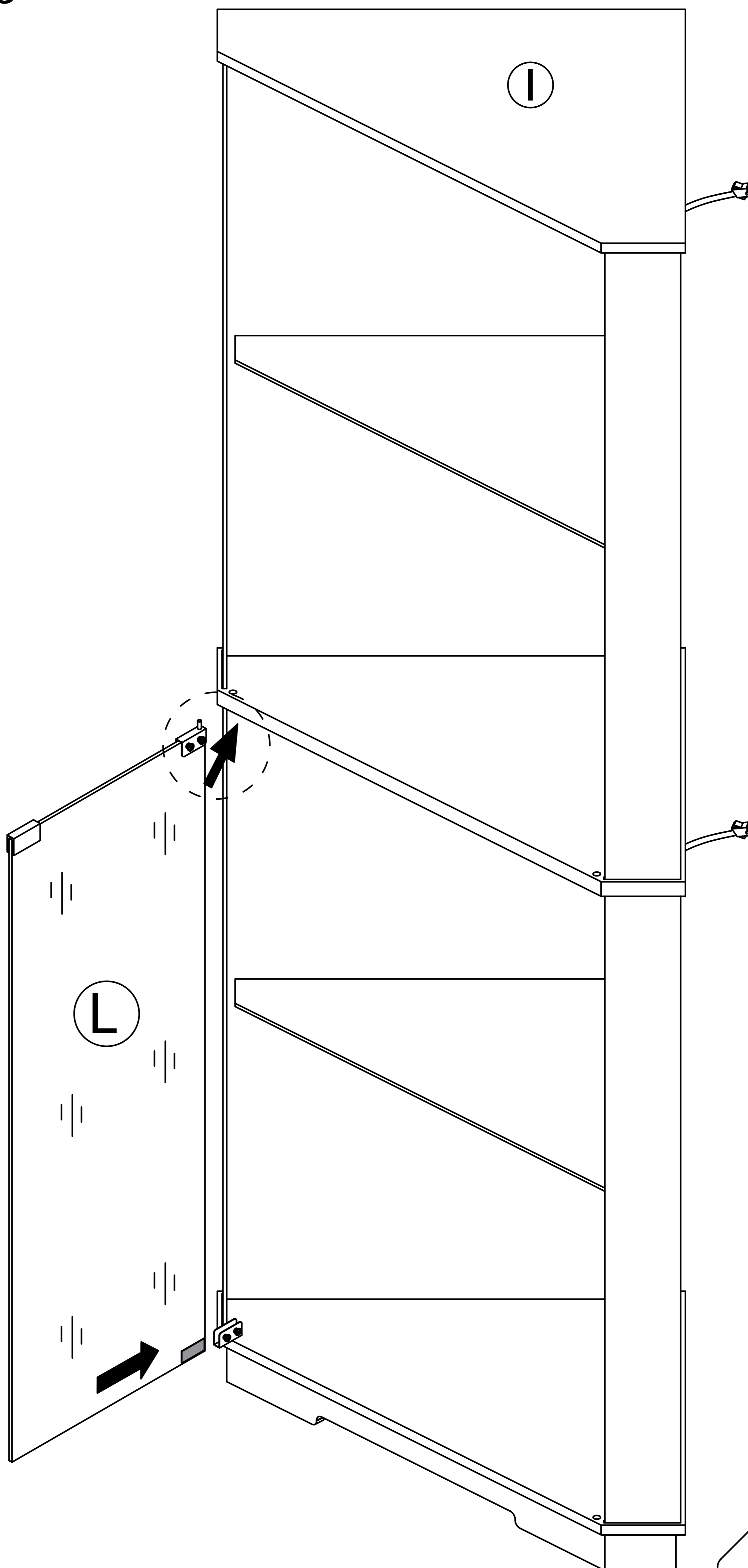
second

After installing the glass door, place the black gasket on the side where the screws are installed

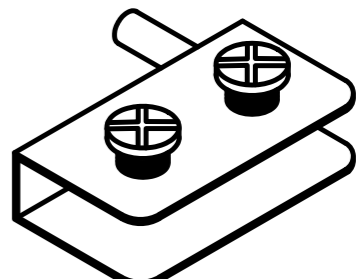
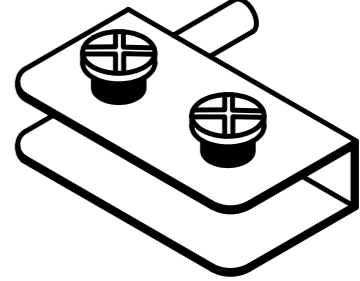
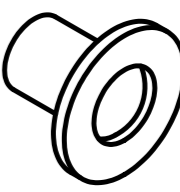


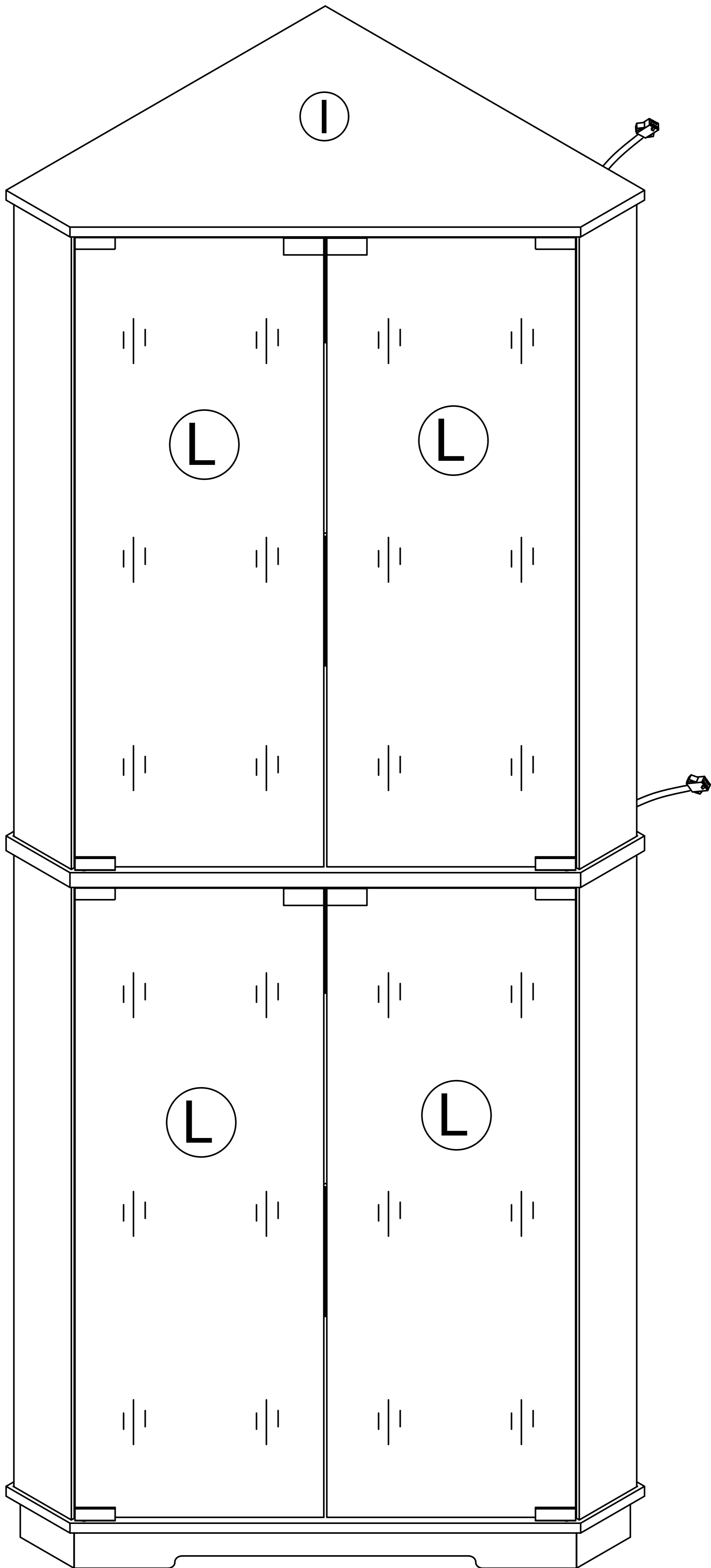
third

Locking screw



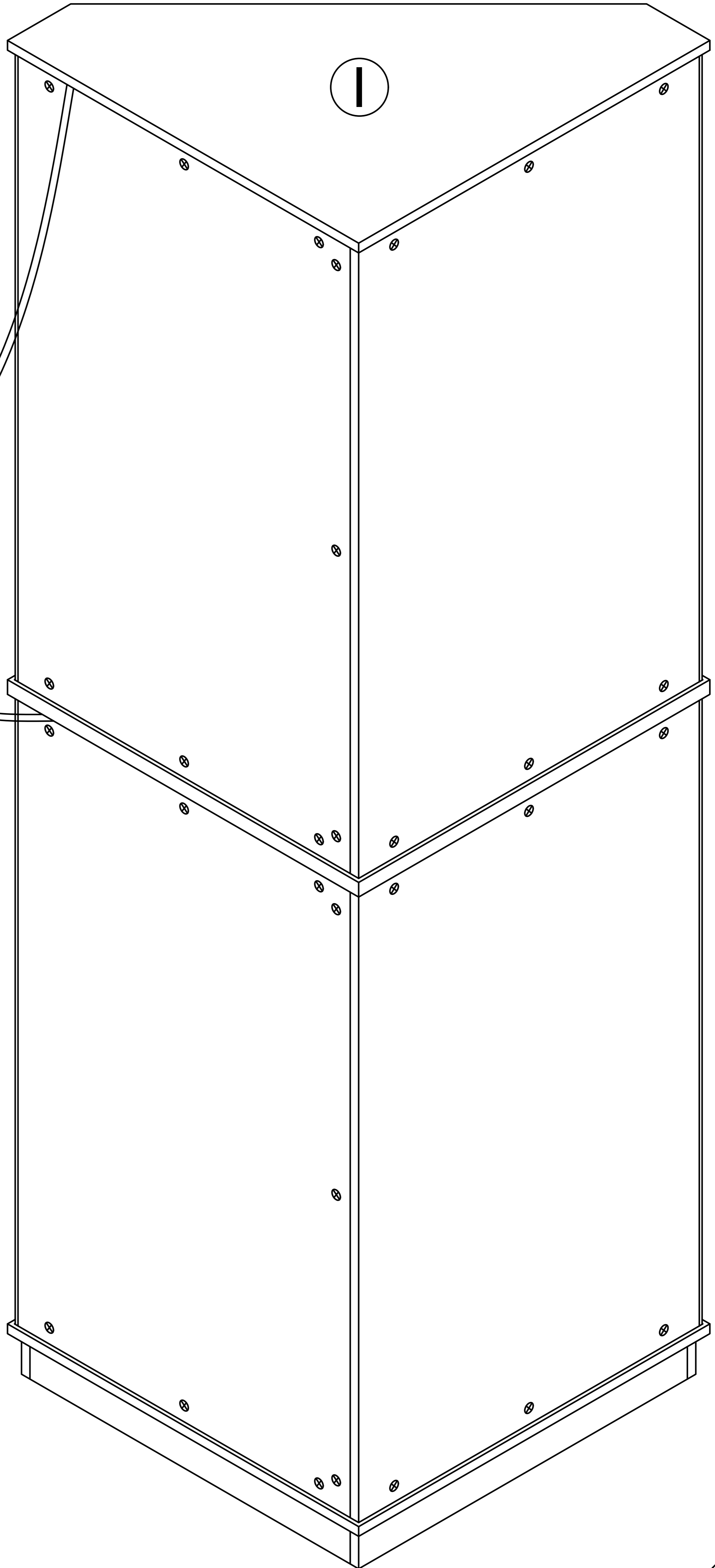
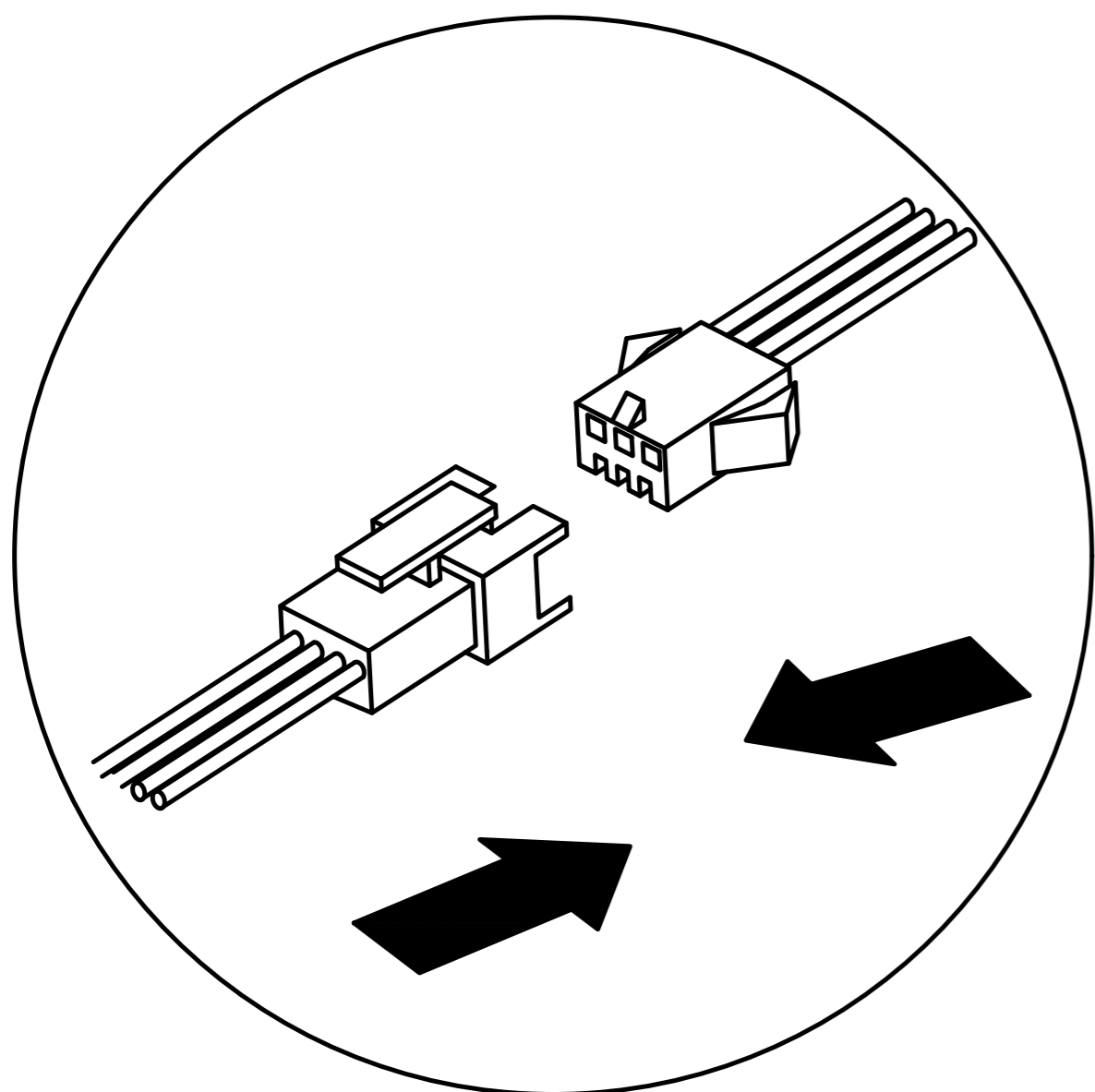
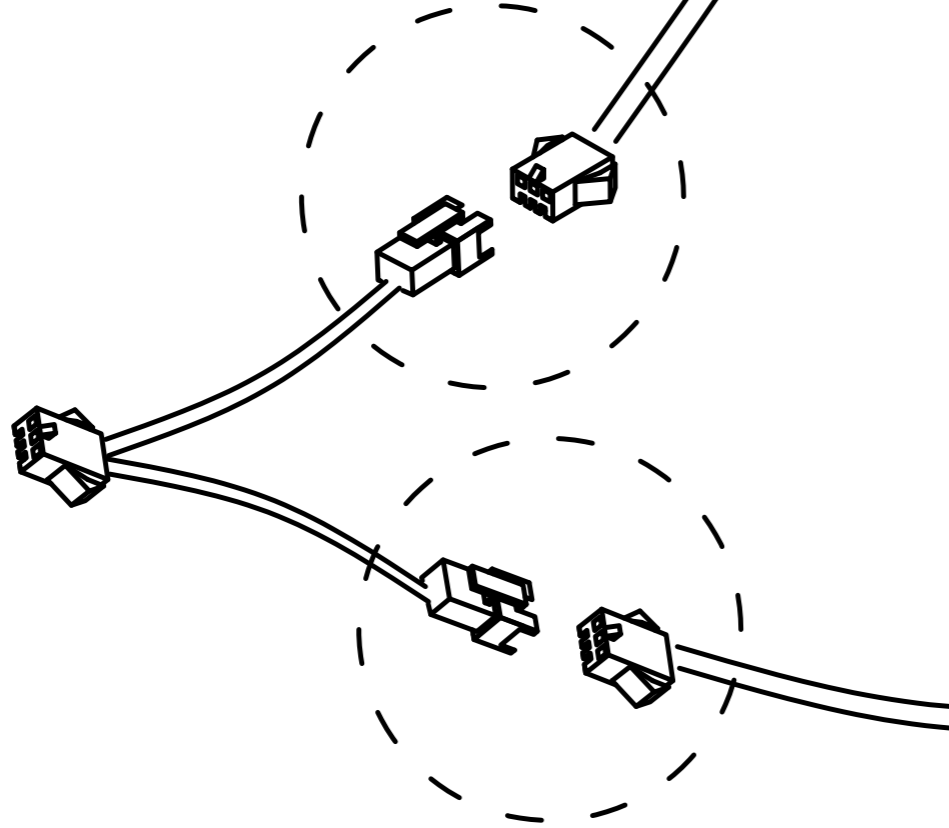
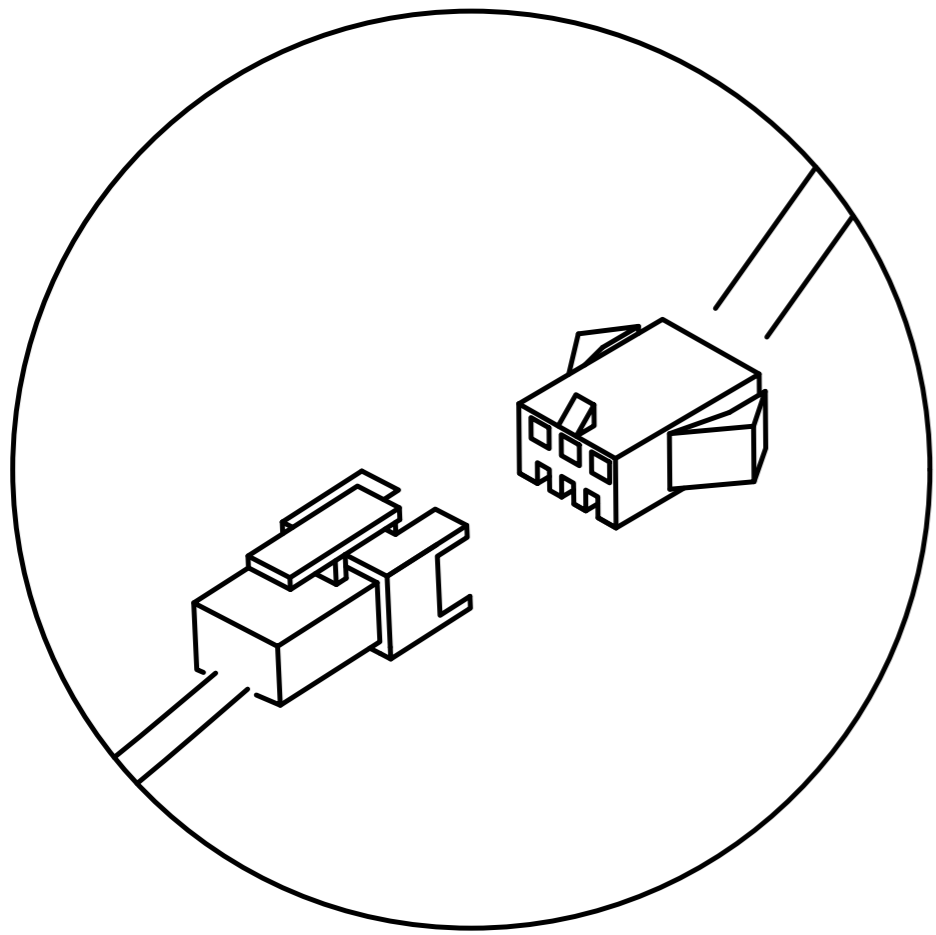
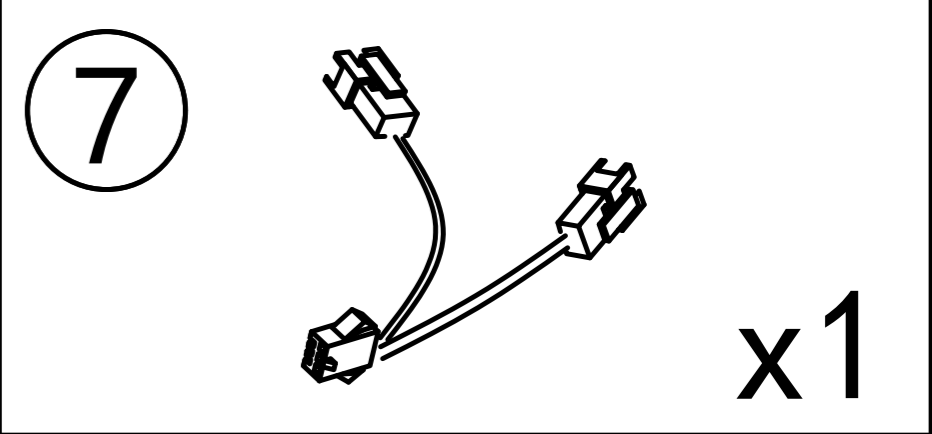
Step 31

- ④  x2
-  x1
-  x6

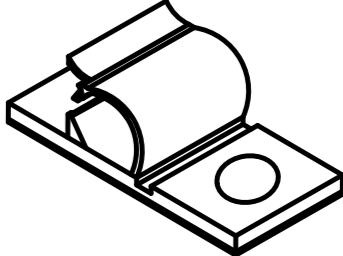


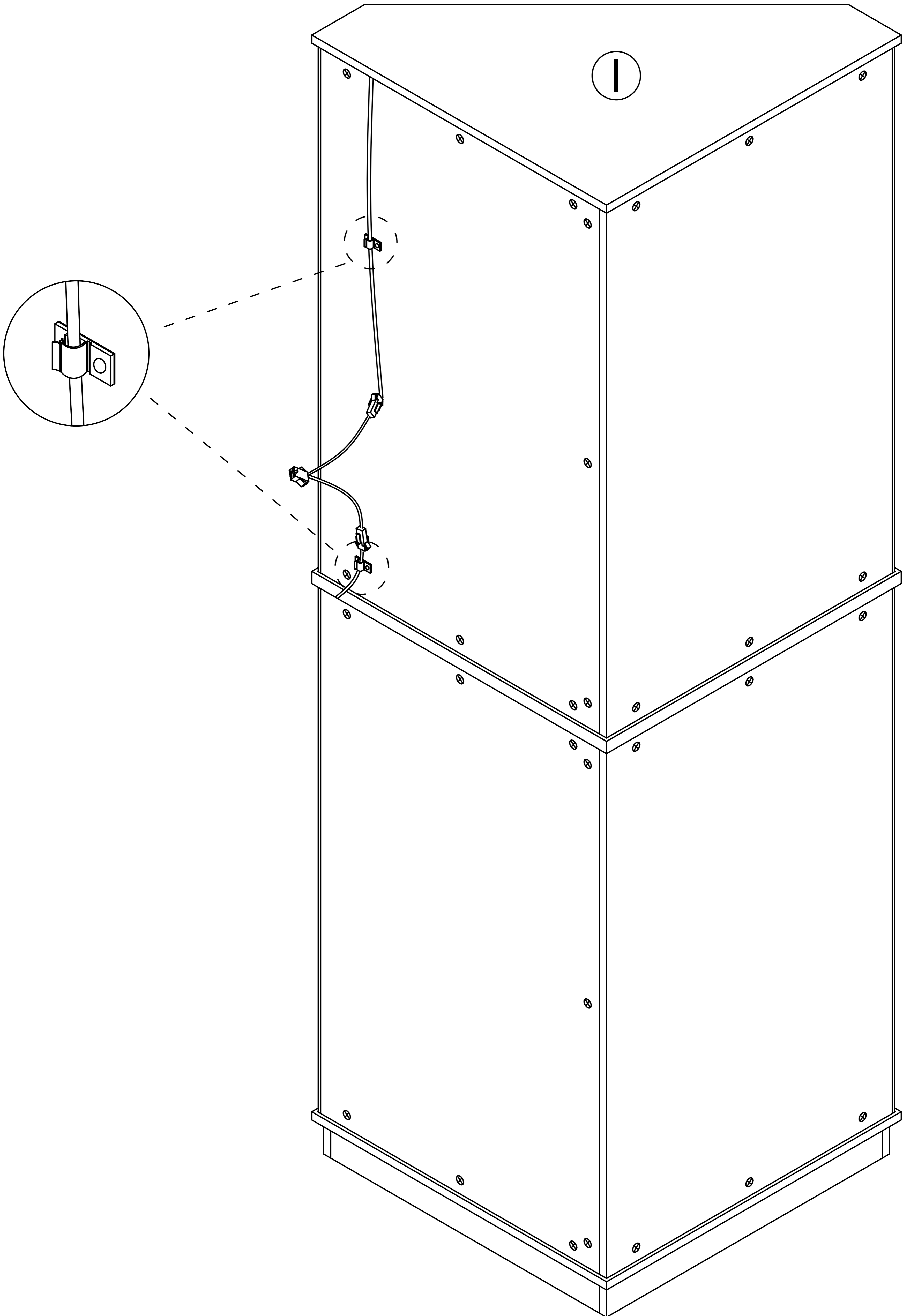
Repeat the door installation steps.

Step 32

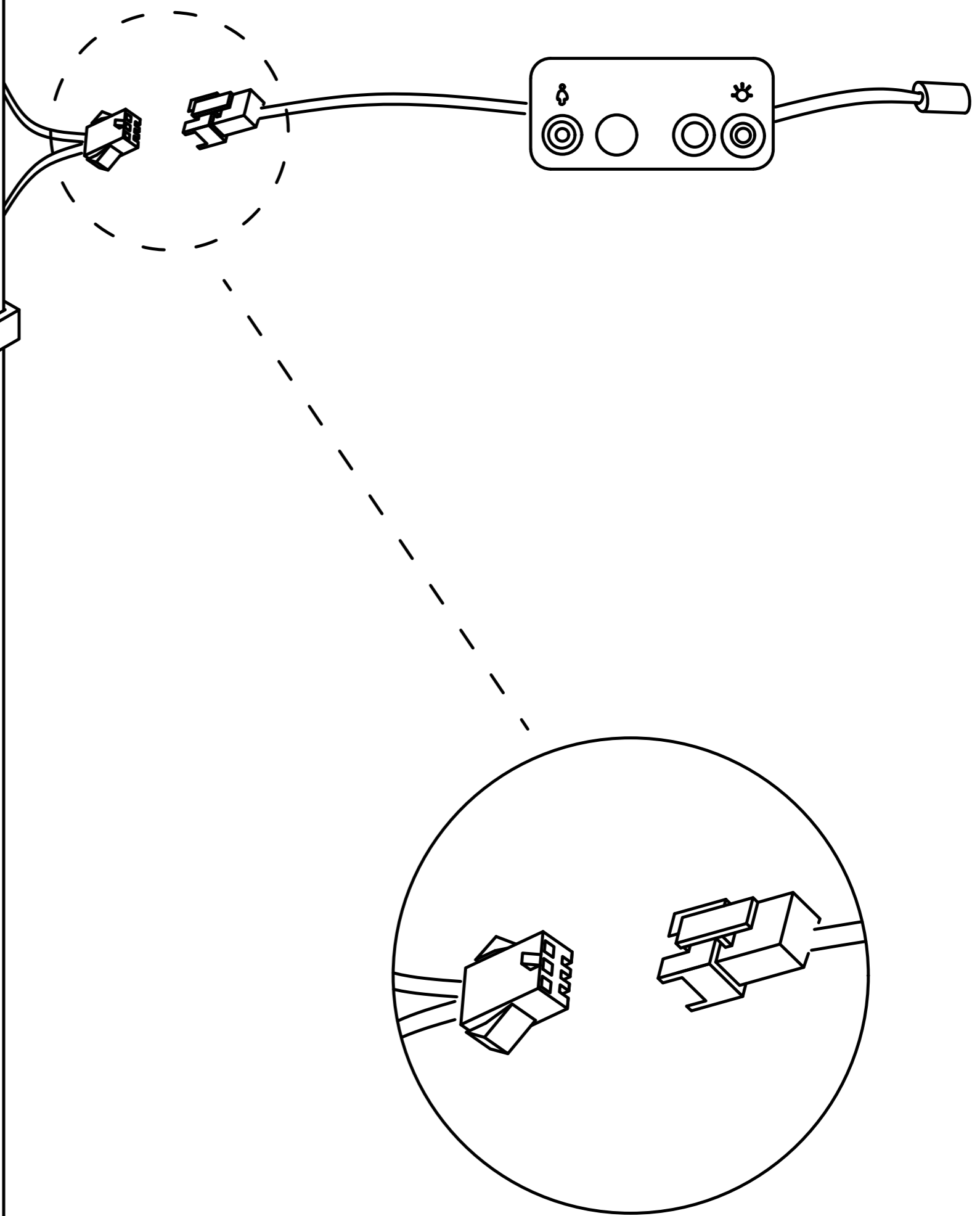
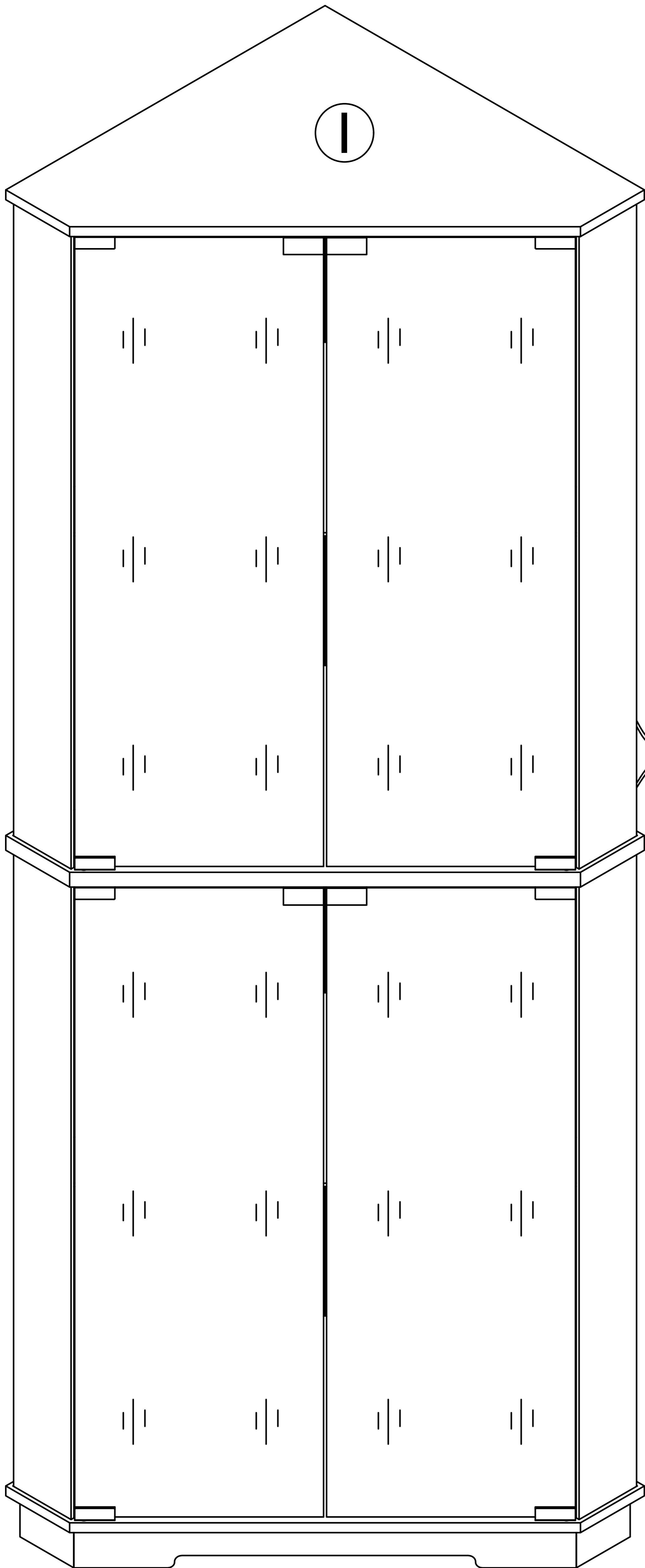
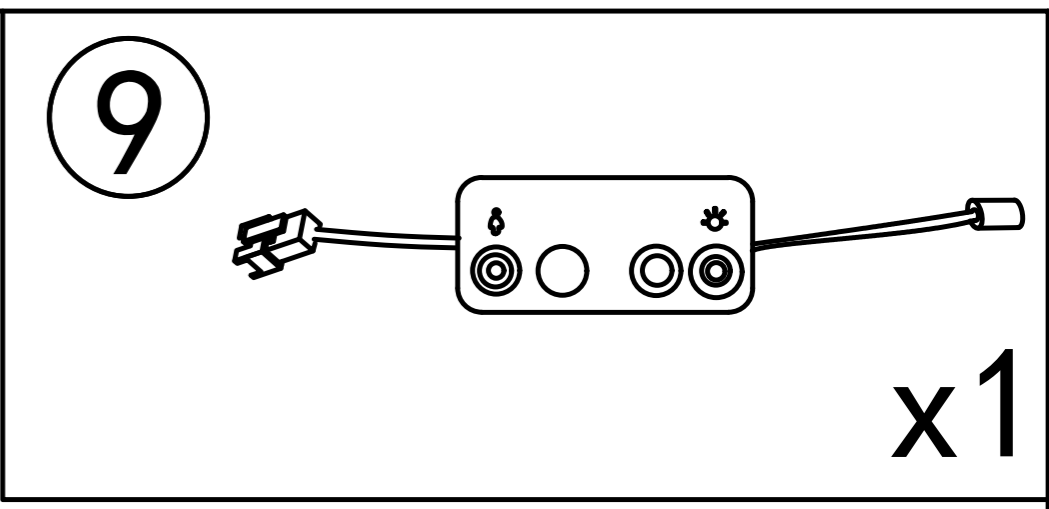


Step 33

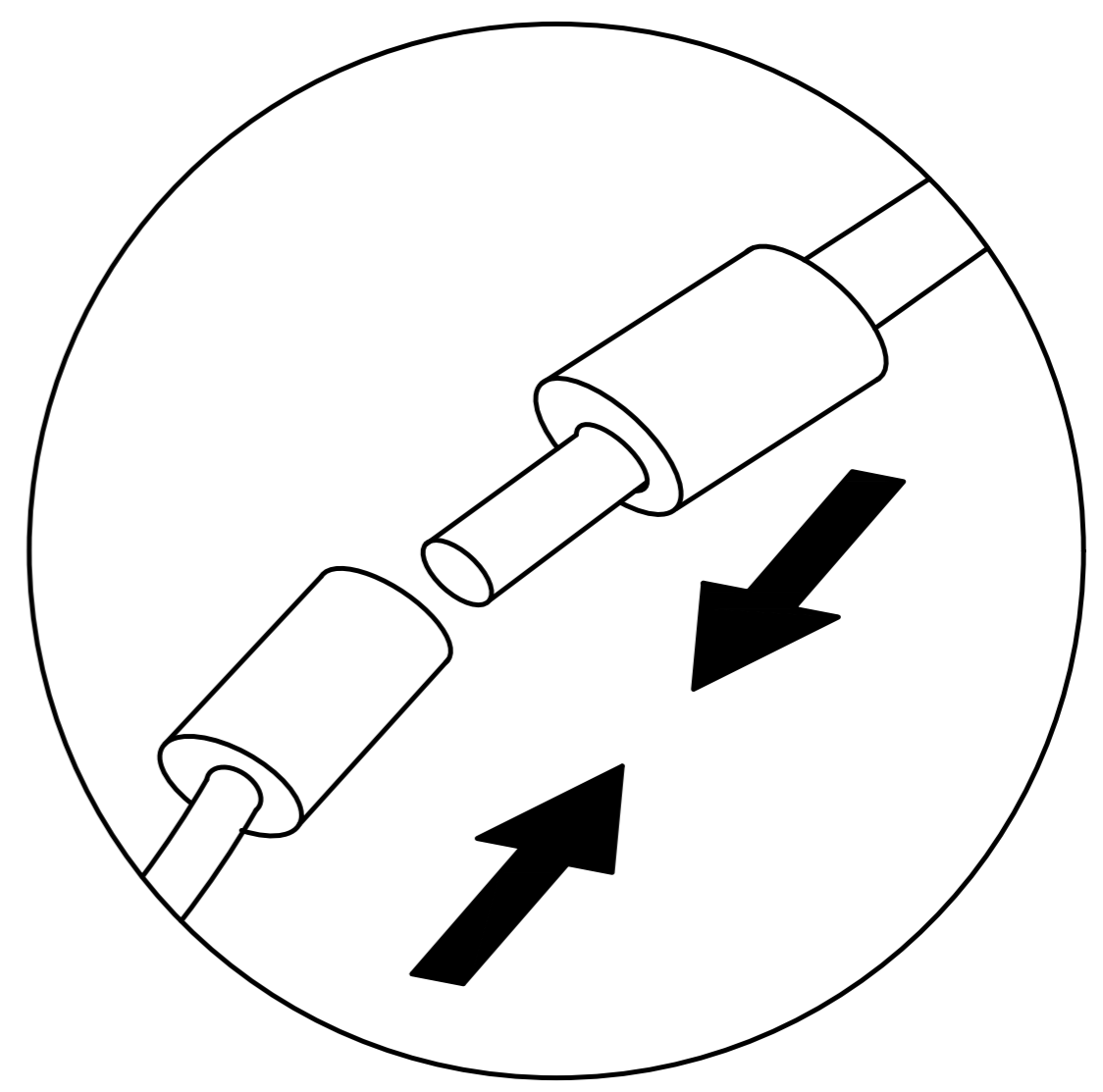
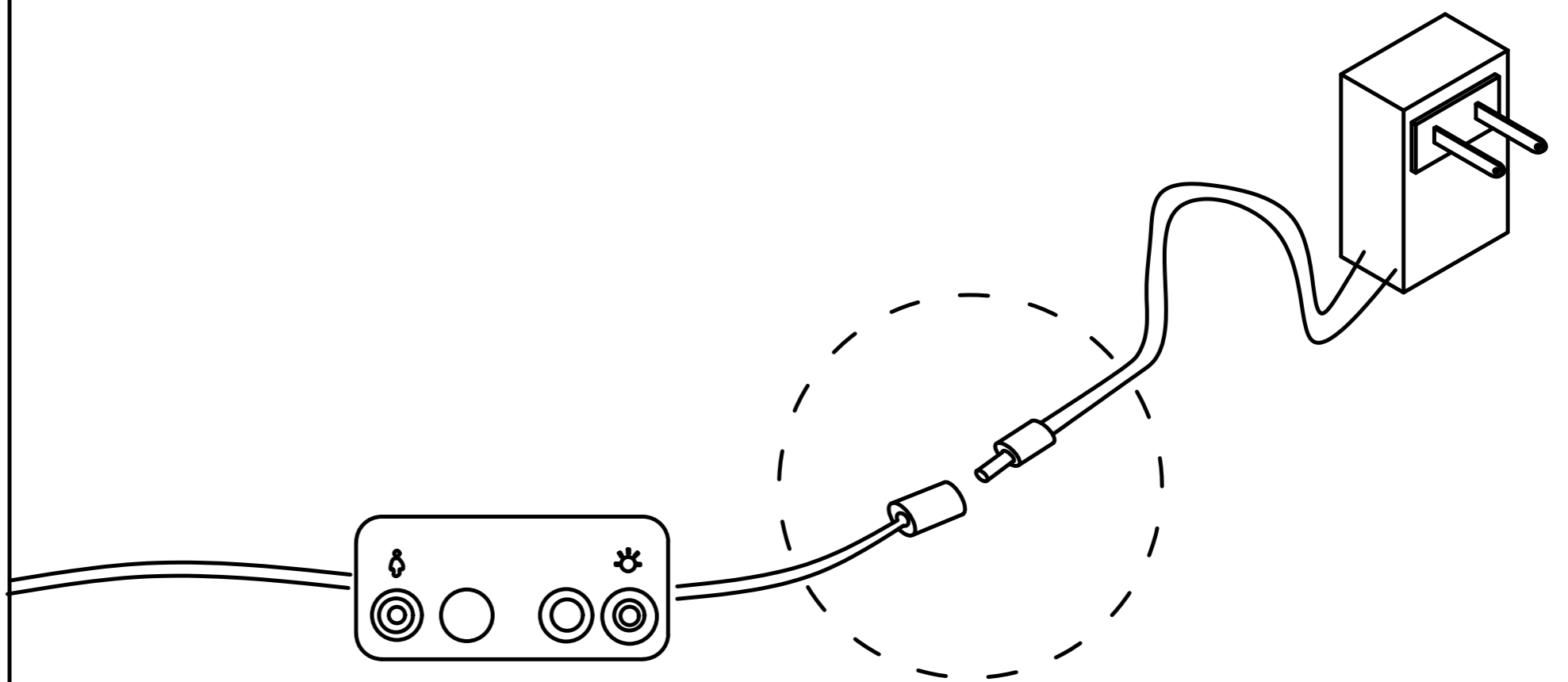
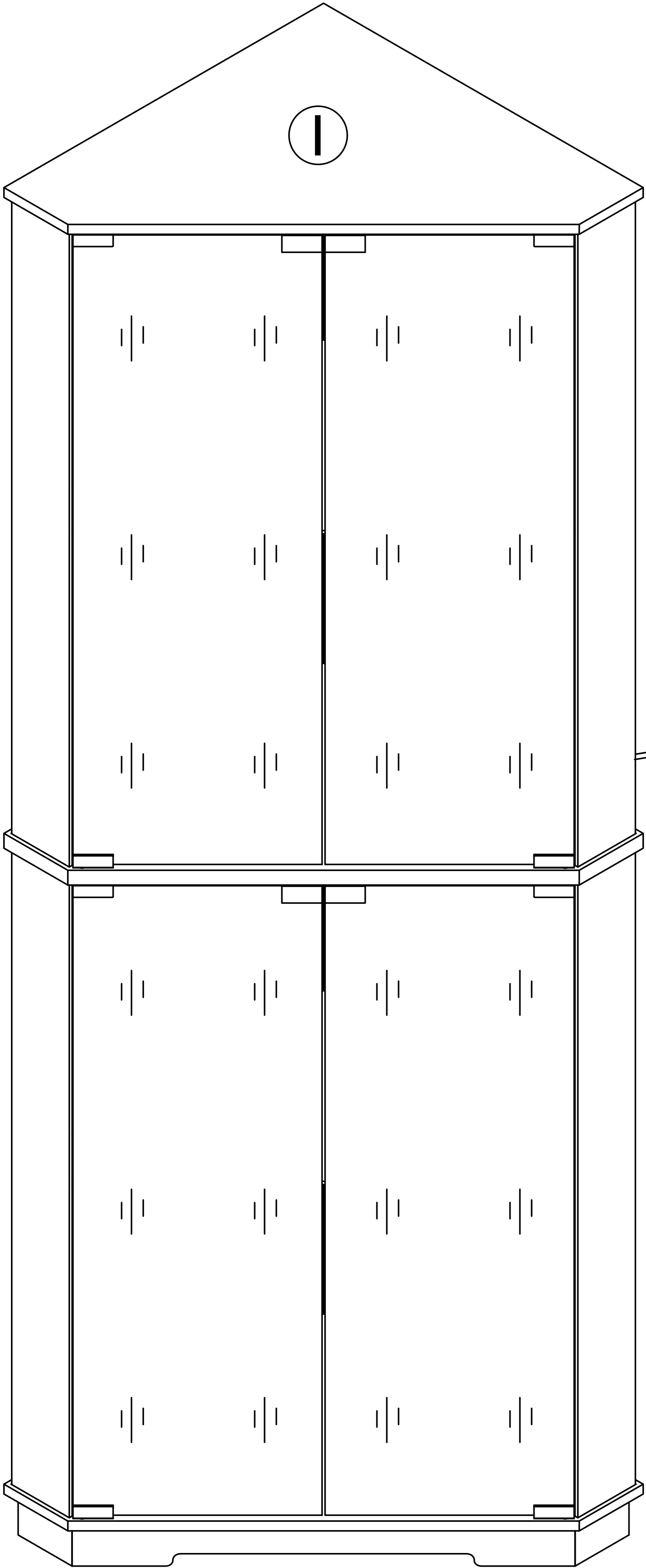
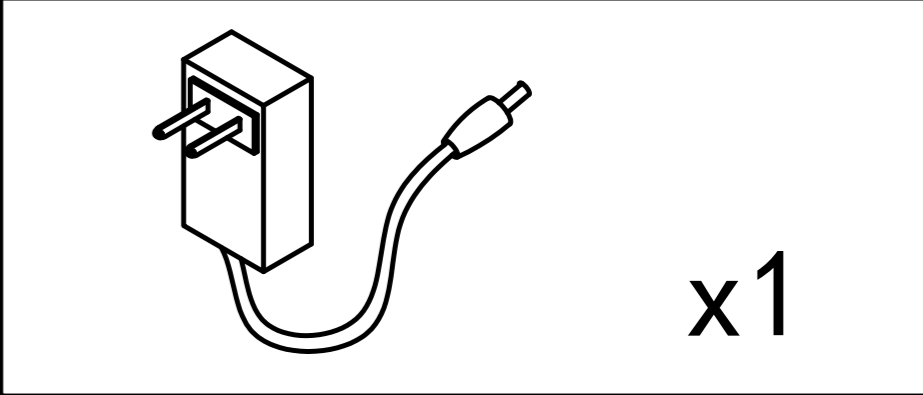
8  x2



Step 34

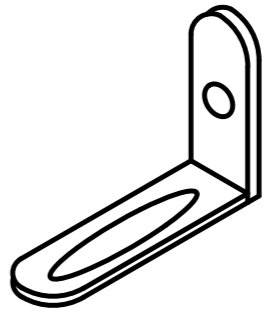
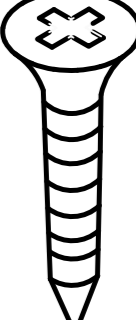
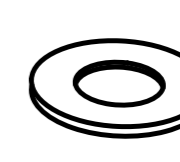


Step 35

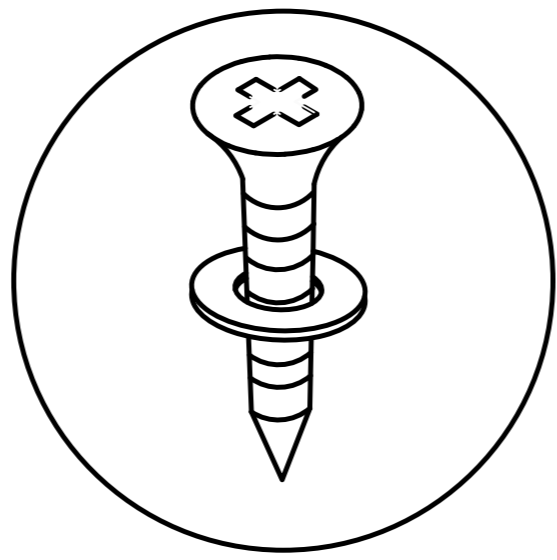


Step 36

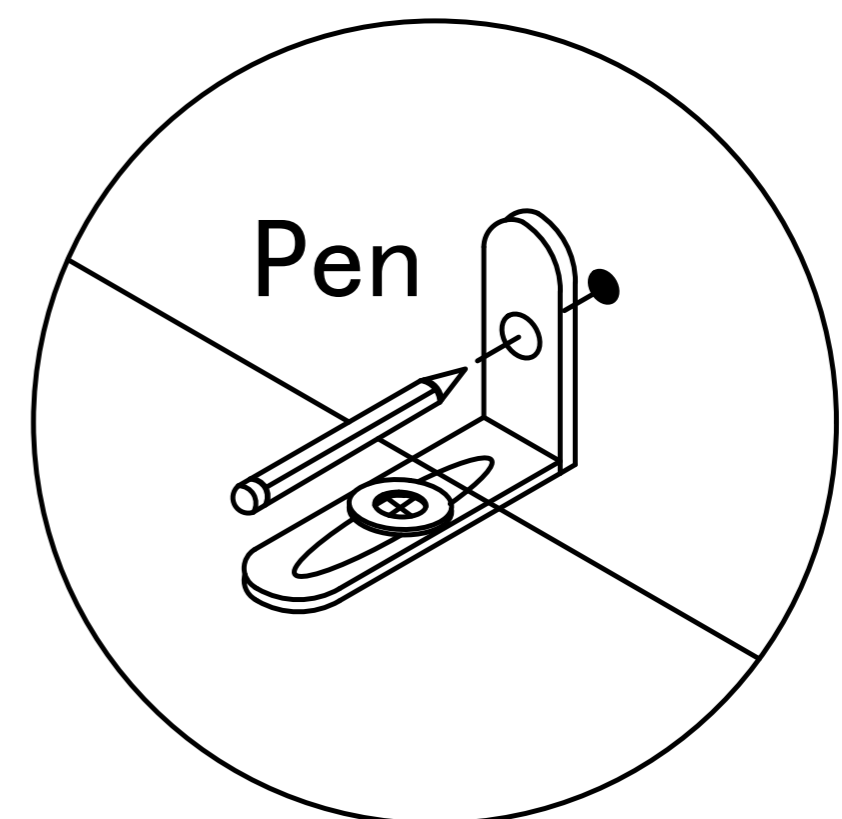
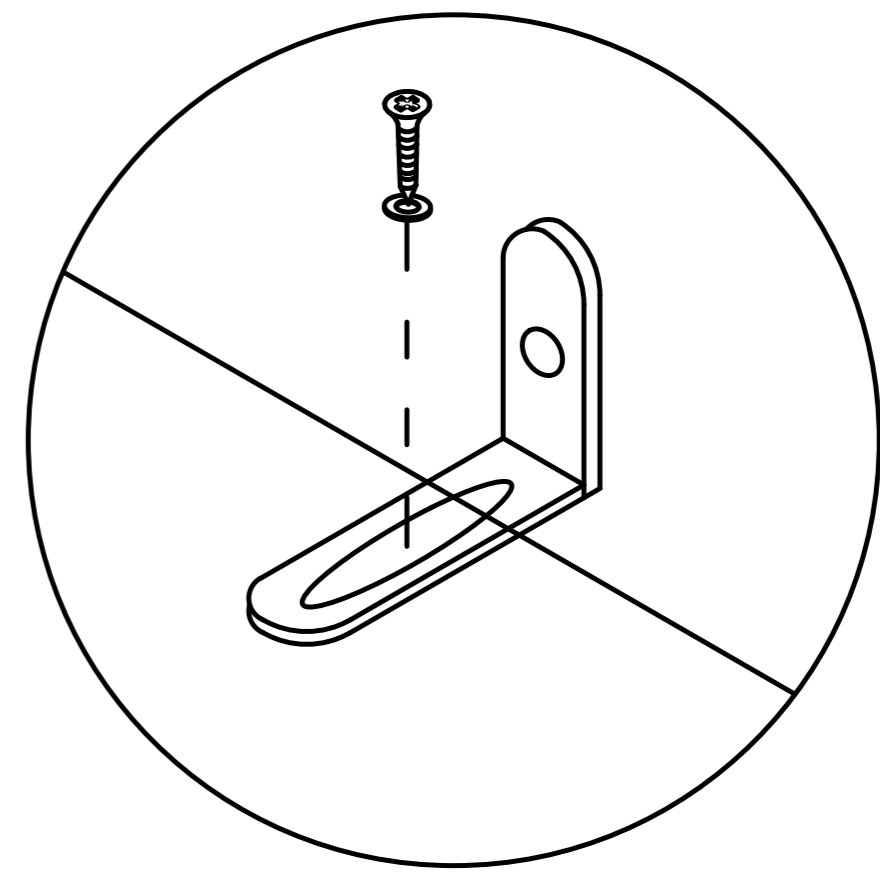
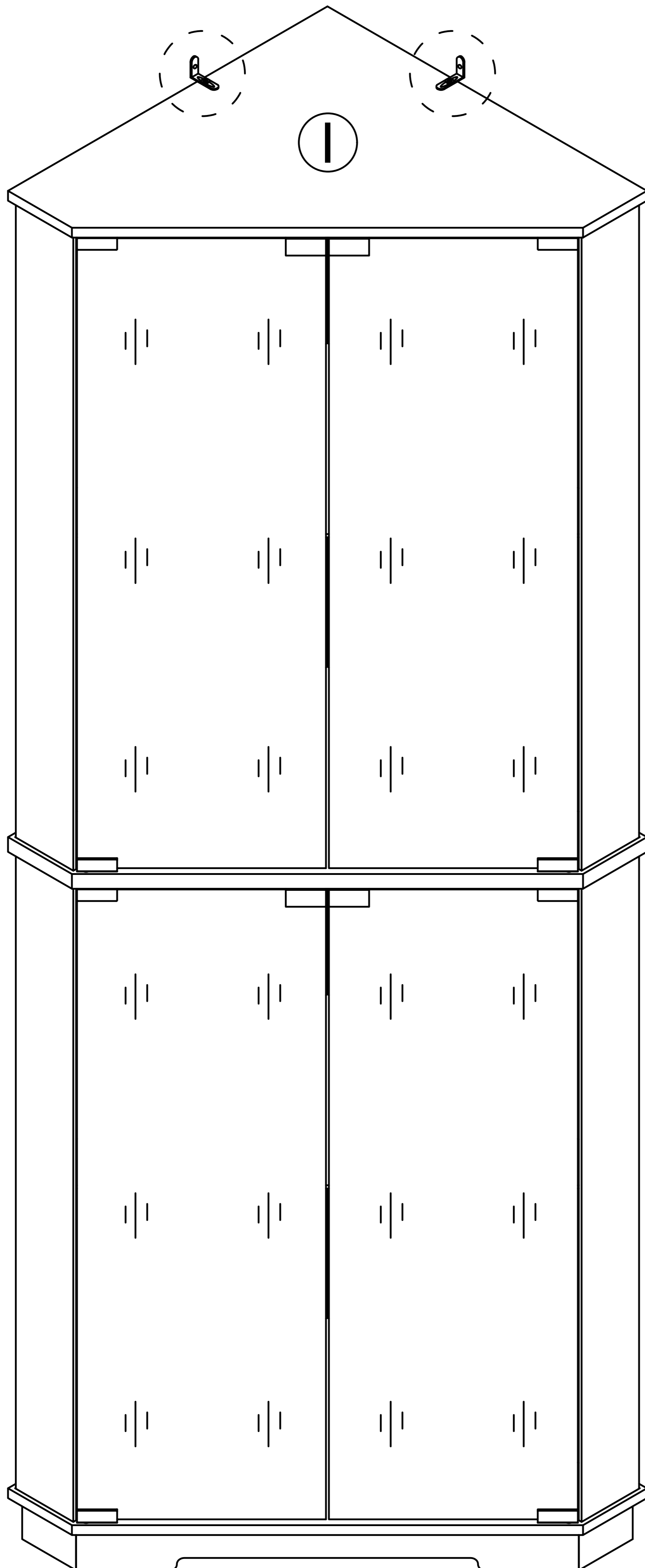
Install as required

10  x2  x2
 x2

3.5x14mm

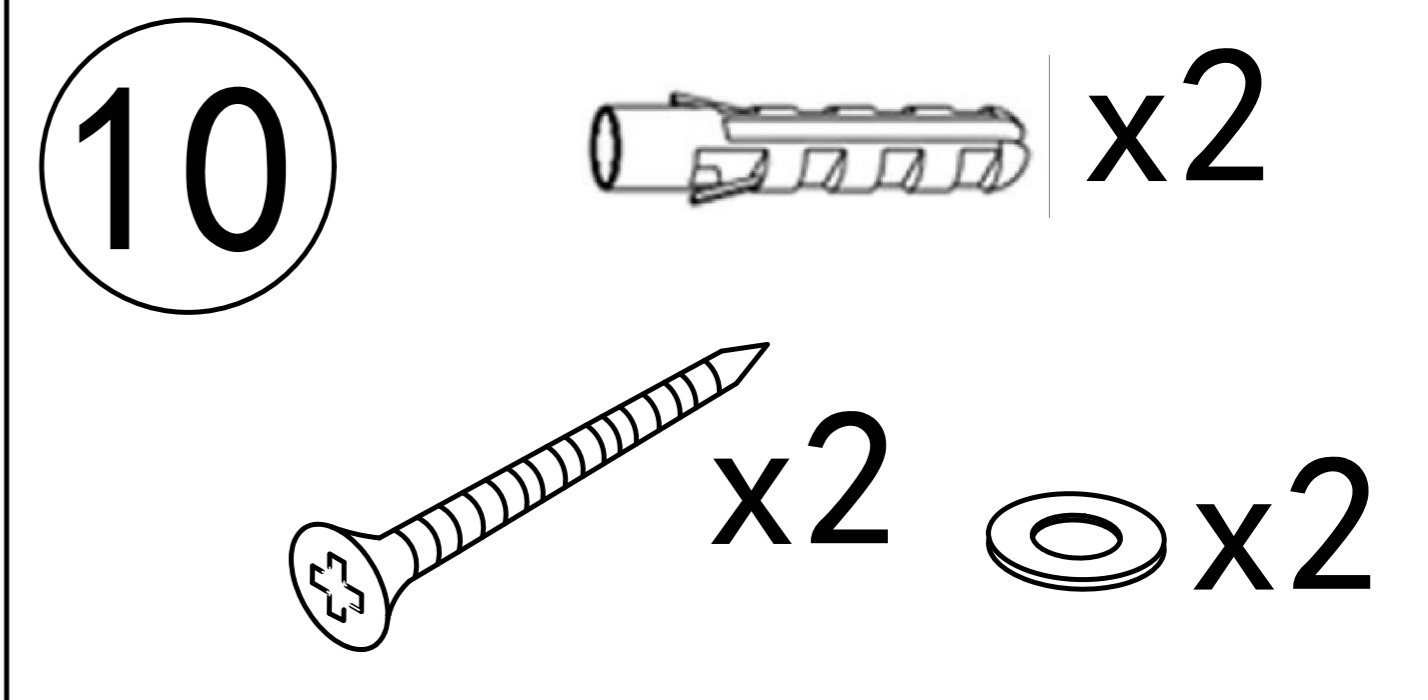
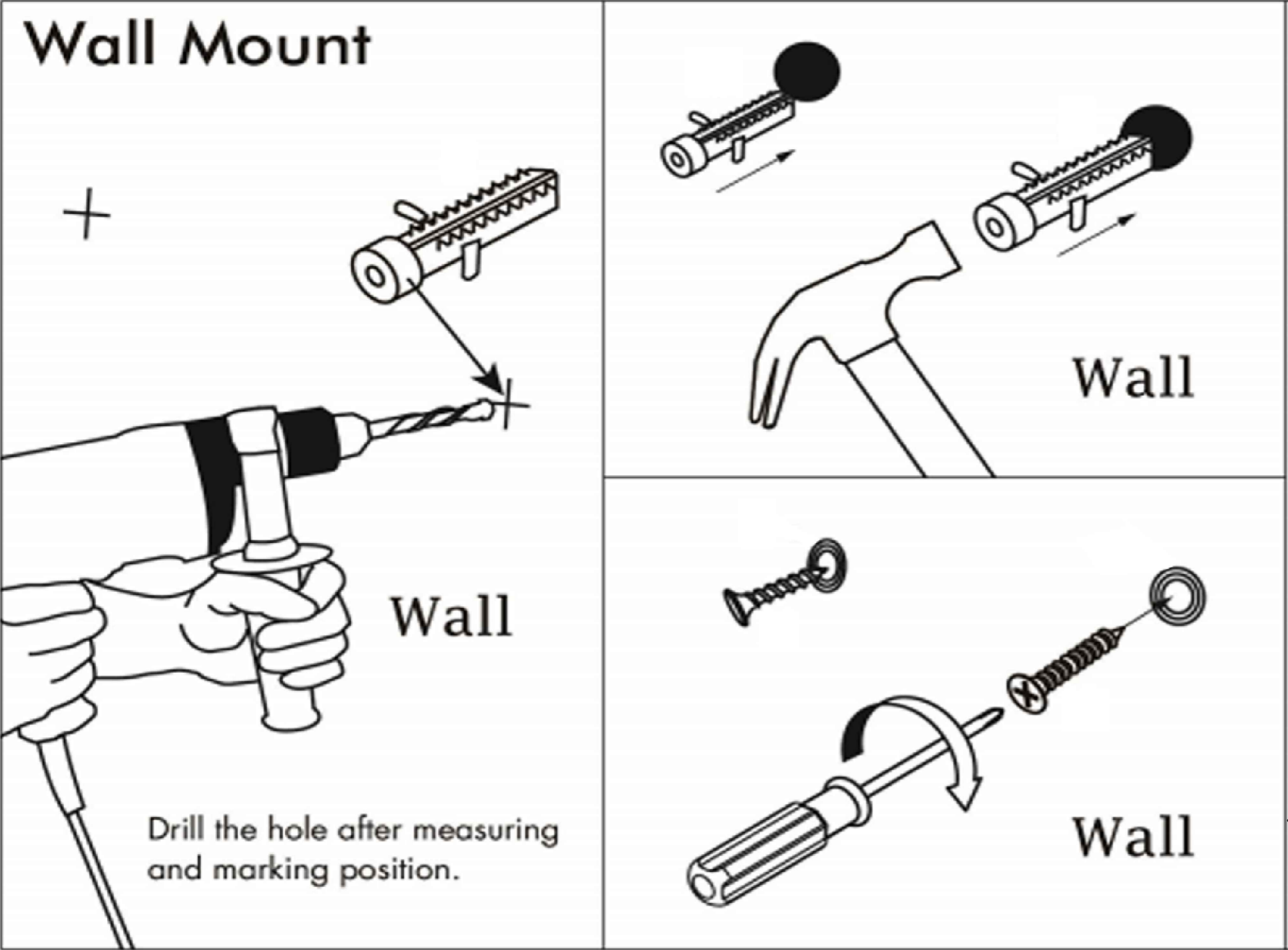


Install the anti fall hardware on the cabinet as shown in the picture first

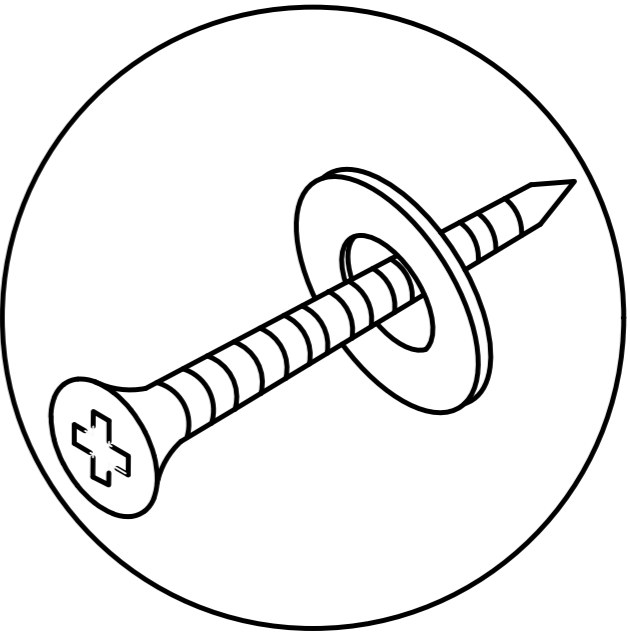
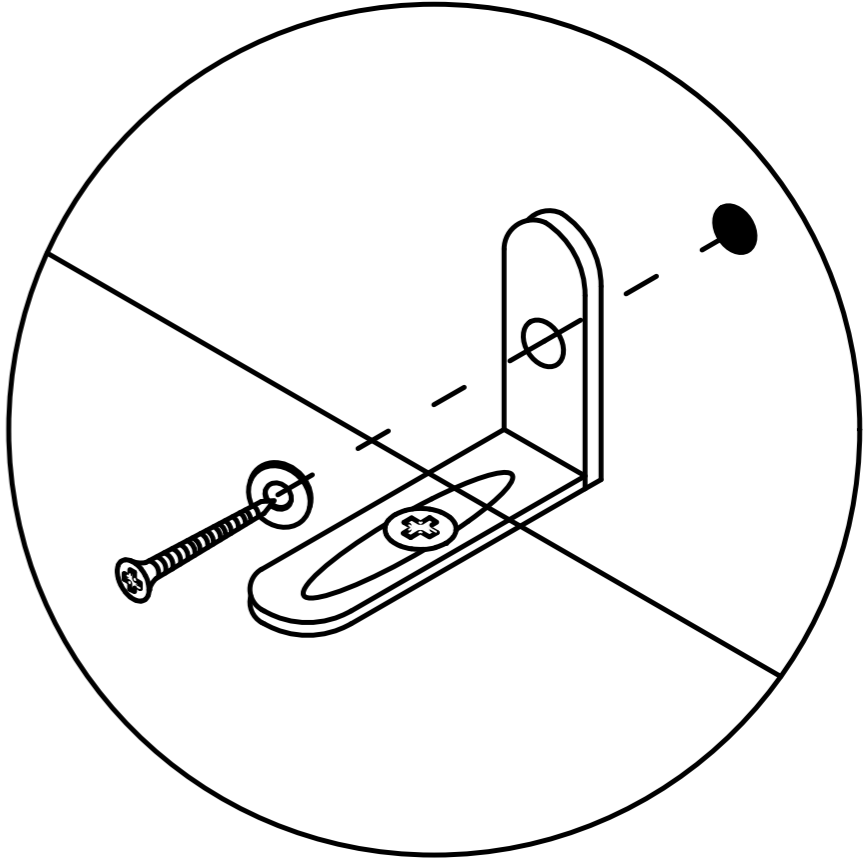
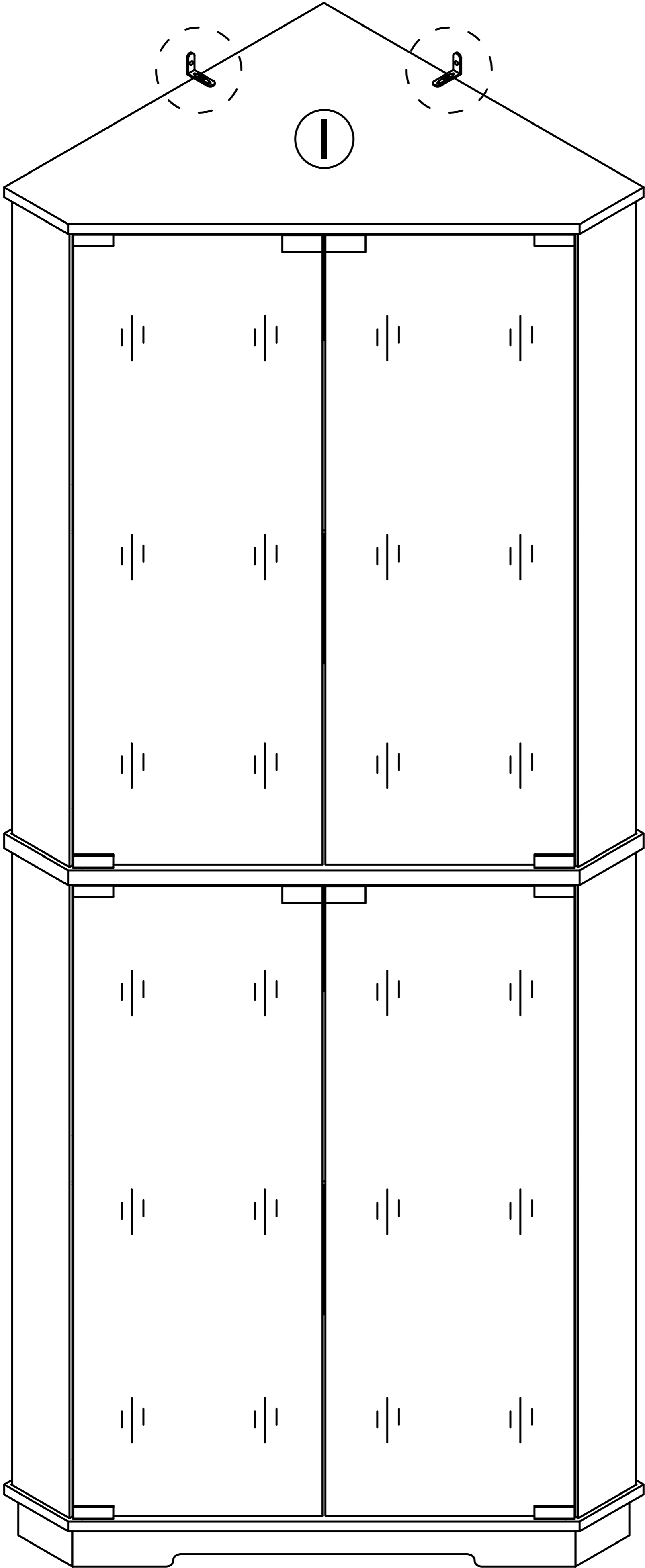


Then mark the wall with a pen through the holes in the anti-fall hardware

Step 37



Drill the hole with an electric drill and punch in the colloidal particles



4x45mm

Fix the dressing table to the wall

User's Guide

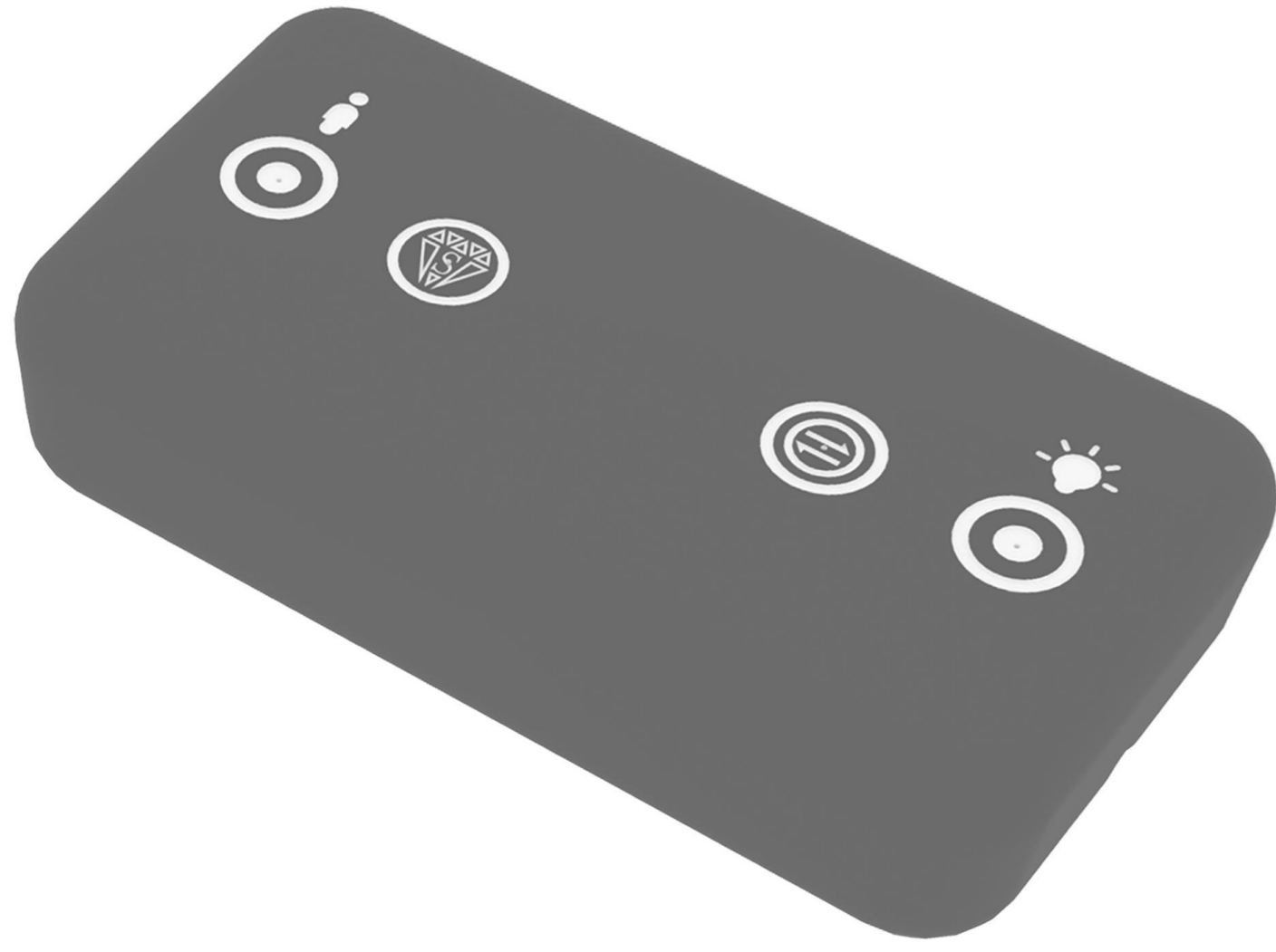
Thank you for purchasing this product.

To use this product, please plug it into a 12V DC power supply.

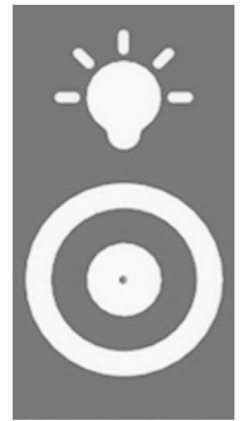
Please use if the product works normally after connecting to power.

Introduction

The box is an intelligent controller. With 4 touch buttons, it can turn ON/OFF the light and turn ON/OFF the induction function, change light colors, and adjust the light luminance.



Operation



This touch button is the master switch of the smart box,

which can turn off all functions of the box and control the light strips on/off operation.

The operation that can be turned on and off with just a light tap. Press and hold to adjust the brightness.

Upon first power-up, the default light will be set to white.



This touch button is used to turn on/off the induction function.

A. touch this button once to turn on the induction function (indicator light on).

After the person leaves or remains stationary for more than 30 seconds, the light strip goes out; people and objects within a range of 1 meters move will light up the light strip.

B. Long press this button for 0.5 seconds to turn off the human body induction function (the indicator light goes out).

At this point, Keep the light strip as it was before turning off and no longer be affected by human and object activities.

By default, induction function is enabled when powered on.



This touch button is the Dynamic Phantom Color Mode, which includes 5 magical lighting effects.

Simply tap to cycle through the options. (Attention: This mode cannot adjust the brightness)

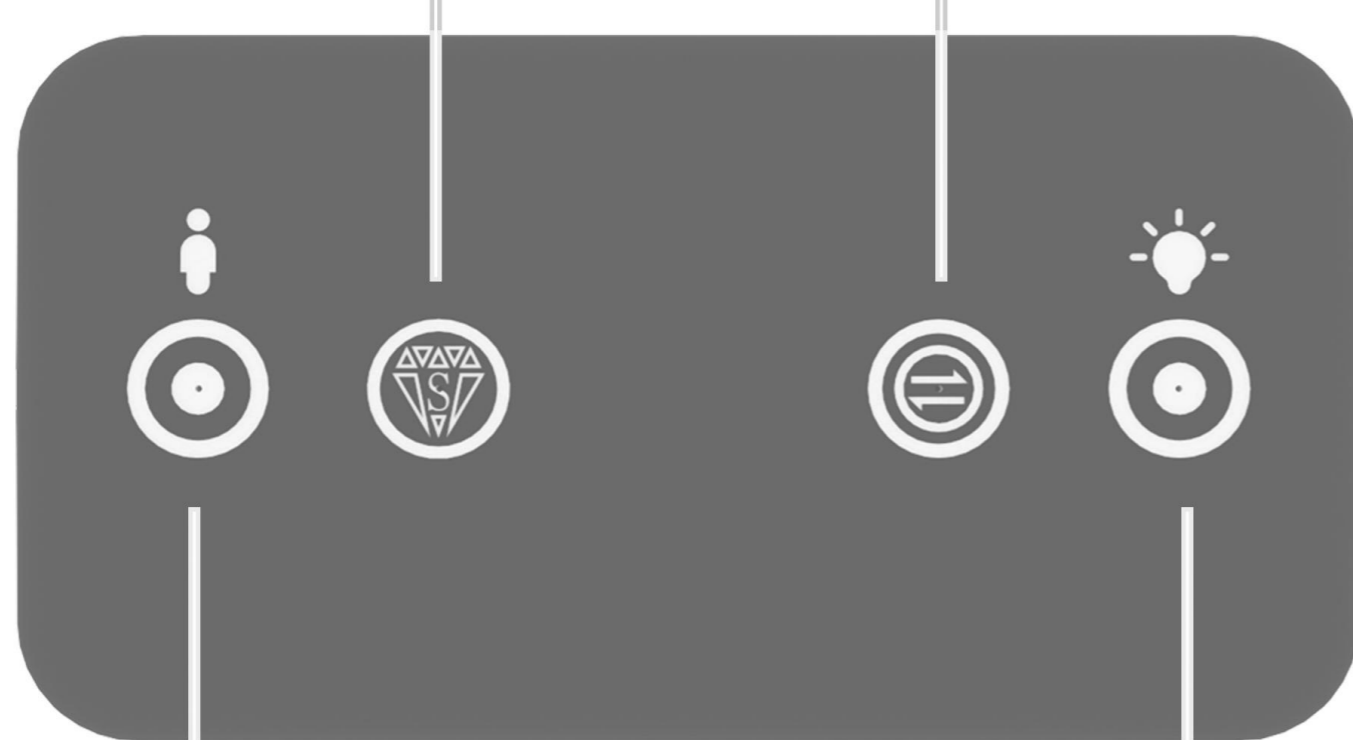


This touch button controls the single-color switching function of the light strips,

offering 7 different colors to choose from.

Phantom Color Mode Button

7-Color Mode Button



Induction Button

Master Switch Button



ATTENTION PLEASE

1. If there is no touch response suddenly, Re-plug the power to reset the touch static electricity.
2. If you have any questions when installing, please feel free to contact us. Thank you.