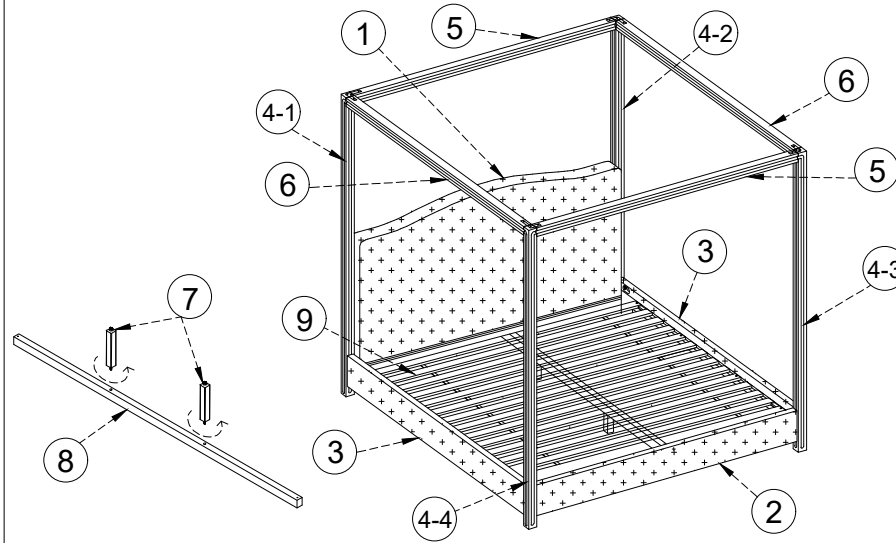
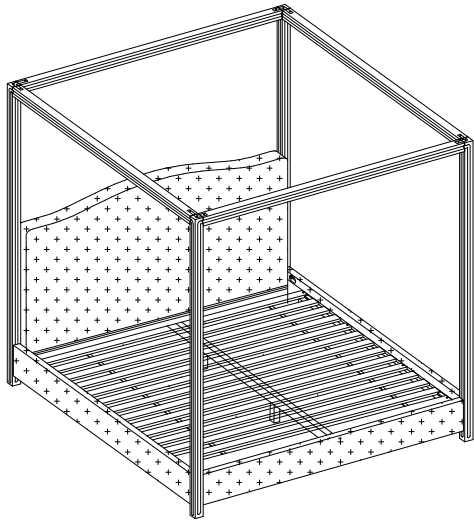
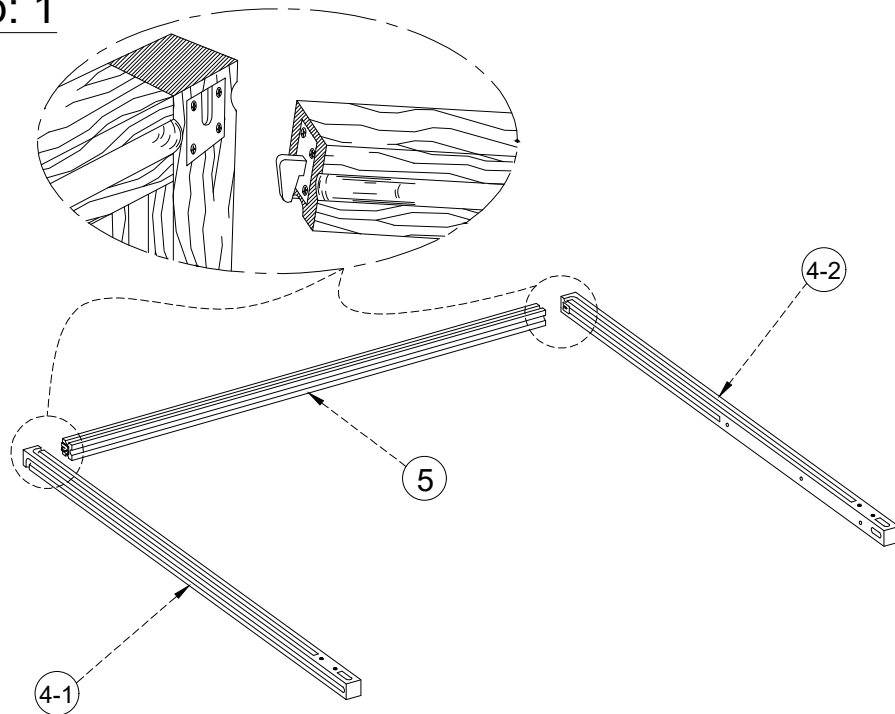


ASSEMBLY INSTRUCTION JODIE CANOPY BED QUEEN

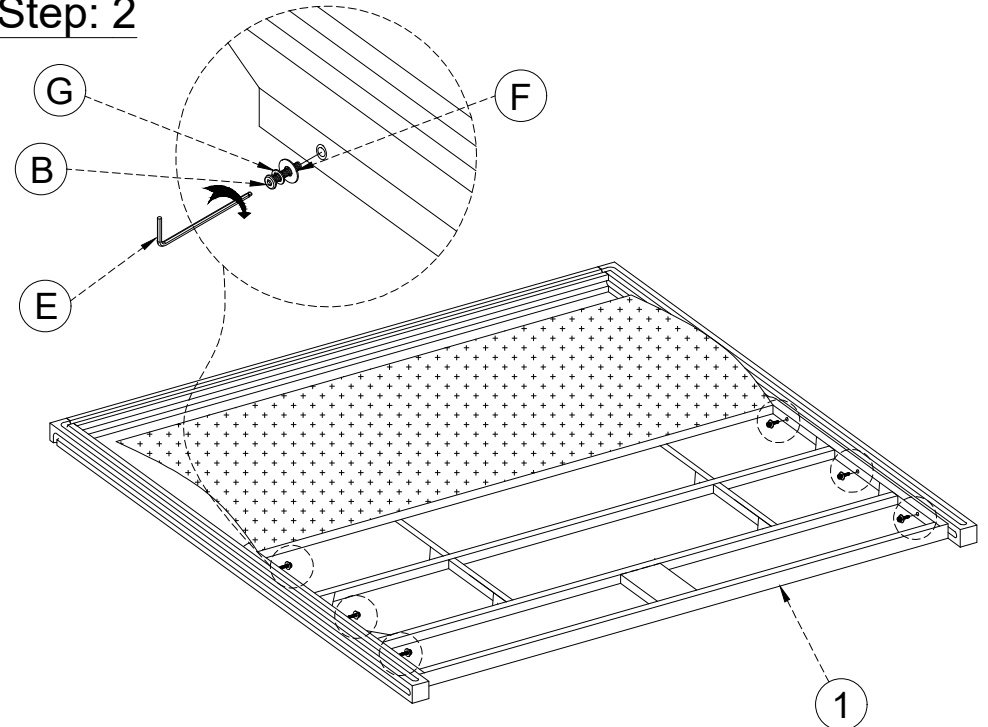


| | | Name of Hardware | Qty |
|---|--|------------------|-----|
| A | | Bolts M8x80 | 12 |
| B | | Bolts M8x70 | 6 |
| C | | Bolts M6x15 | 12 |
| D | | Bracket | 4 |
| E | | Allen Key M4 | 1 |
| F | | Flat Washer M8 | 4 |
| G | | Lock Washer M8 | 16 |
| H | | Curved Washers | 12 |
| I | | Screw M4x60 | 2 |
| J | | Screw M4x30 | 8 |
| K | | Nuts M8 | 12 |
| L | | Short Screw K13 | 1 |

Step: 1

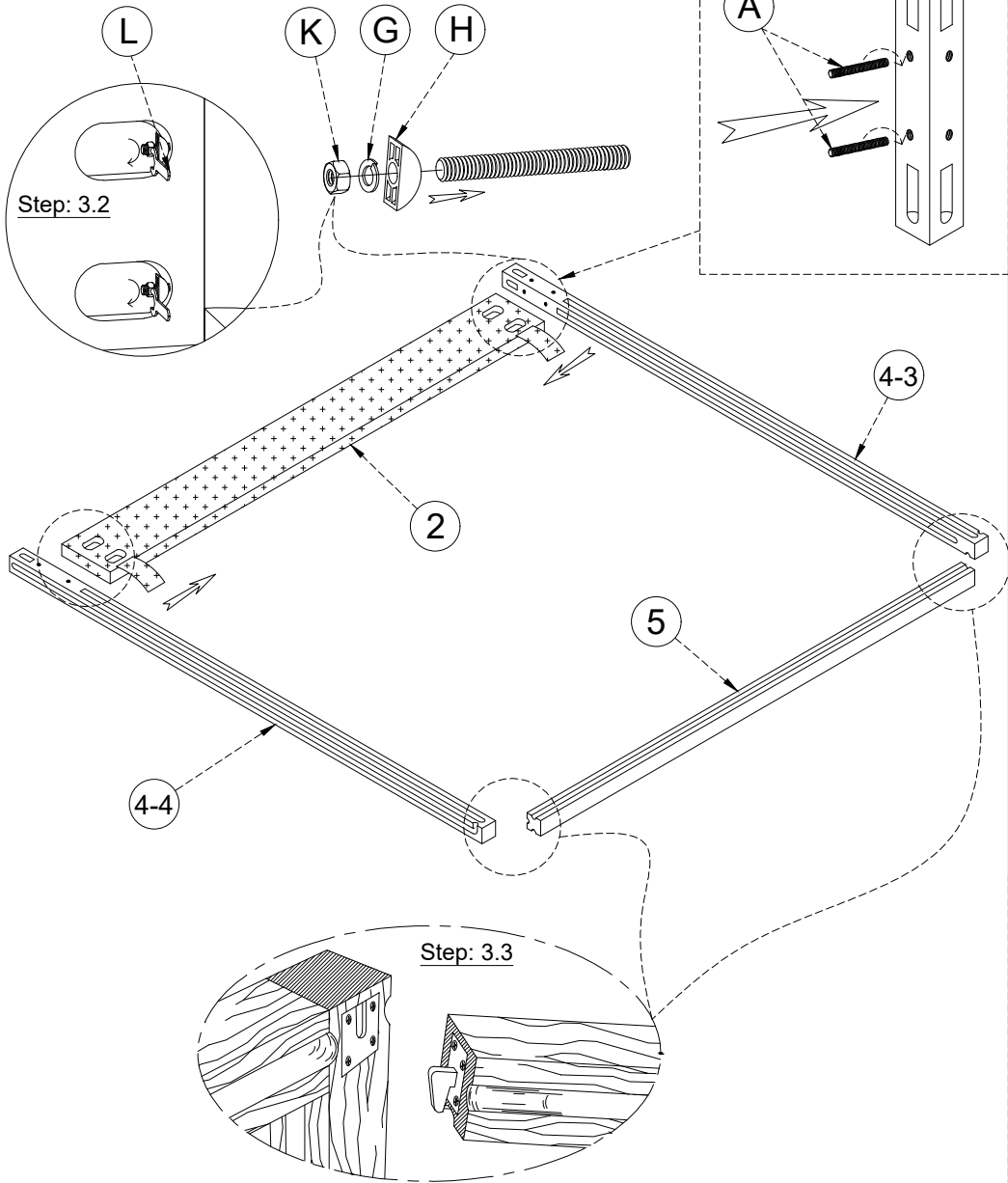


Step: 2

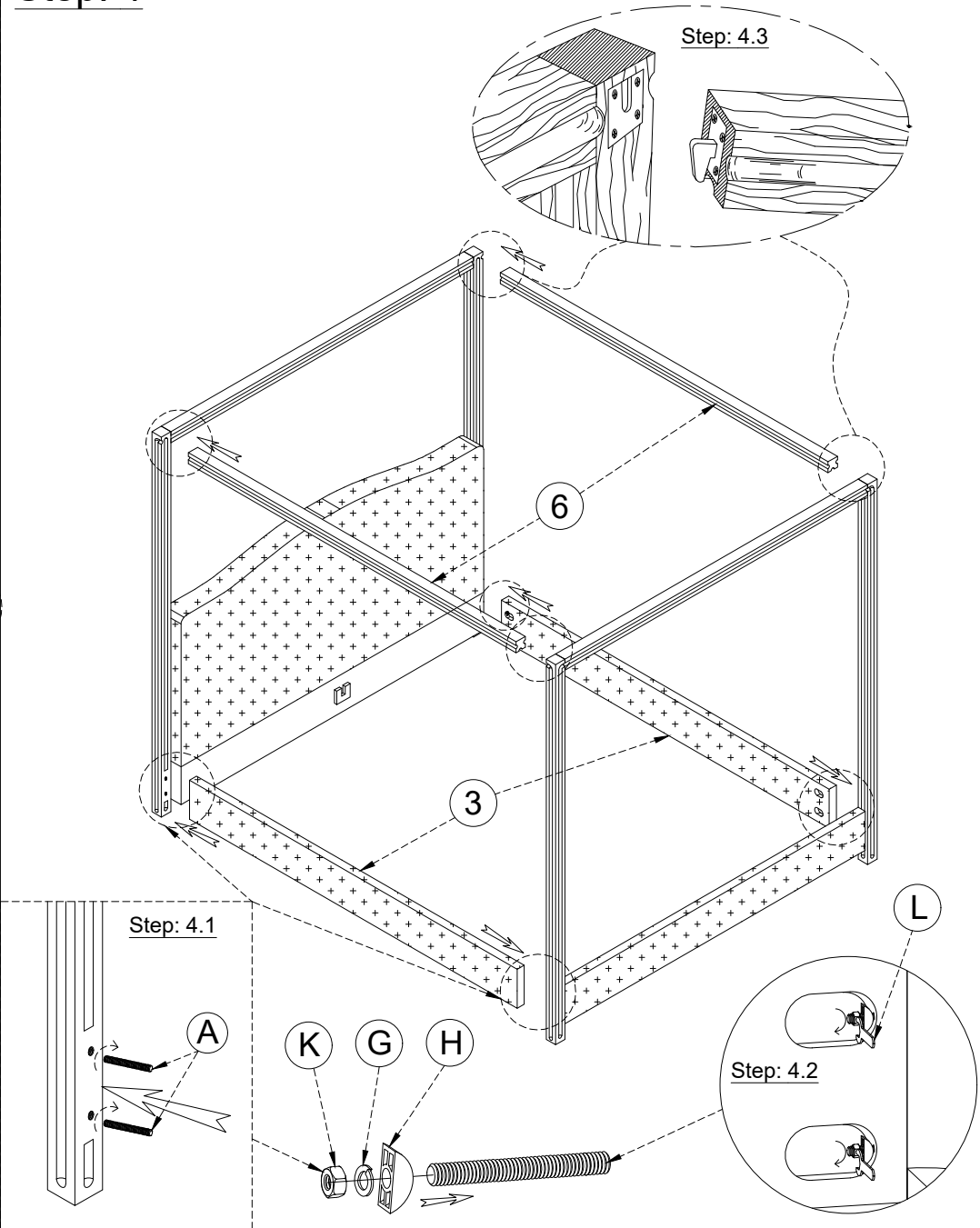


ASSEMBLY INSTRUCTION JODIE CANOPY BED QUEEN

Step: 3

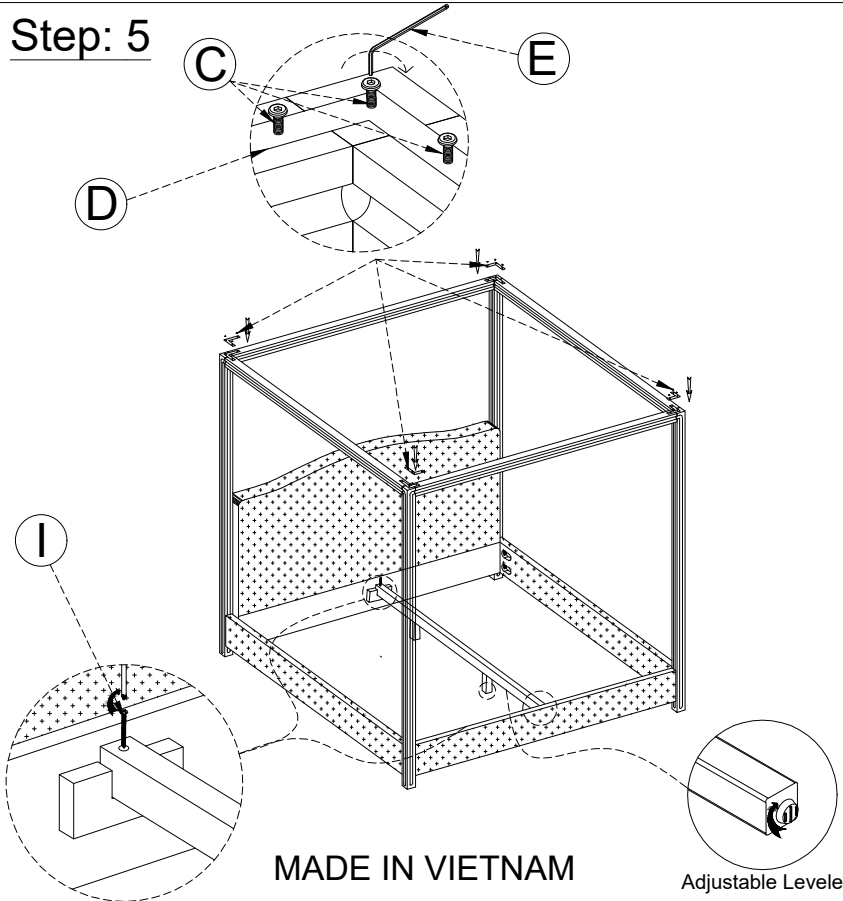


Step: 4

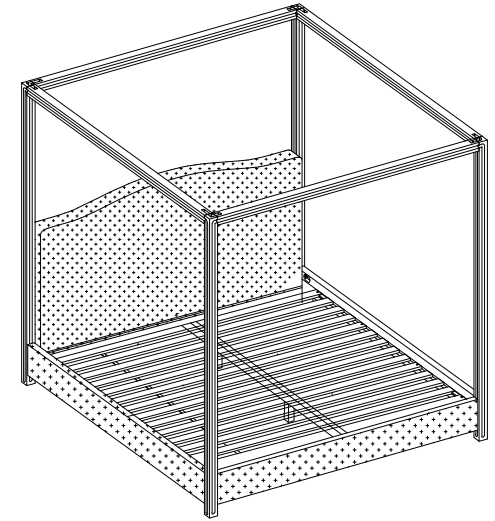
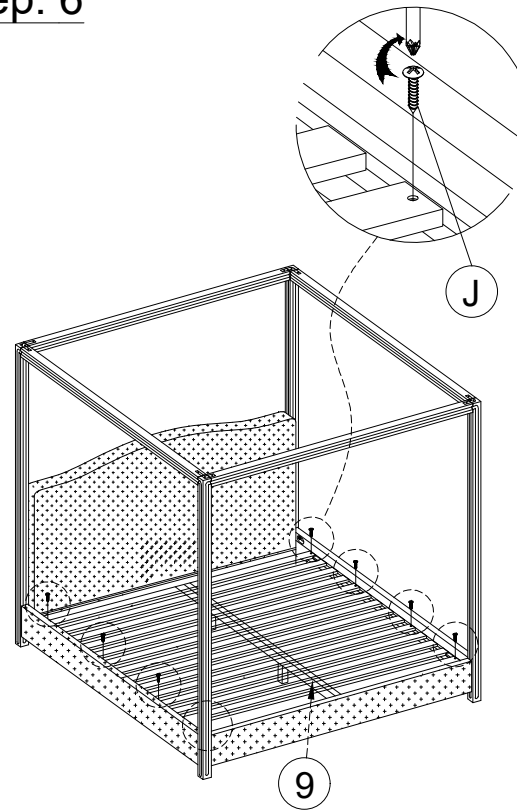


ASSEMBLY INSTRUCTION JODIE CANOPY BED QUEEN

Step: 5



Step: 6



FINISH

Adjusting Floor Levelers

Your furniture has been expertly crafted and pre-adjusted by professionals. However, slight shifts can occur during transportation. If you notice that the doors are not perfectly aligned or the furniture wobbles, a quick adjustment can help ensure stability and a seamless look.

Adjust the Floor Levelers

Check for Stability - Place the furniture in its final position on a level surface. If it wobbles or doesn't sit evenly, the floor levelers need adjusting.

Locate the Levelers - These are small adjustable feet found at the bottom corners of your furniture.

Adjust as Needed - Using your hand or a wrench, turn the levelers clockwise to raise or counterclockwise to lower the furniture. Make small adjustments and check stability after each turn.