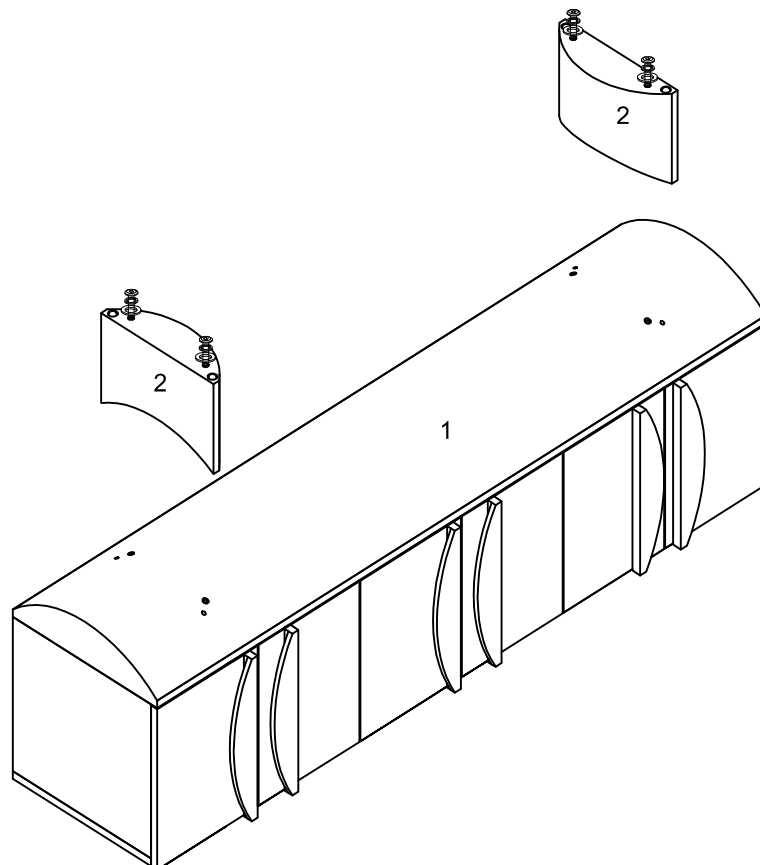
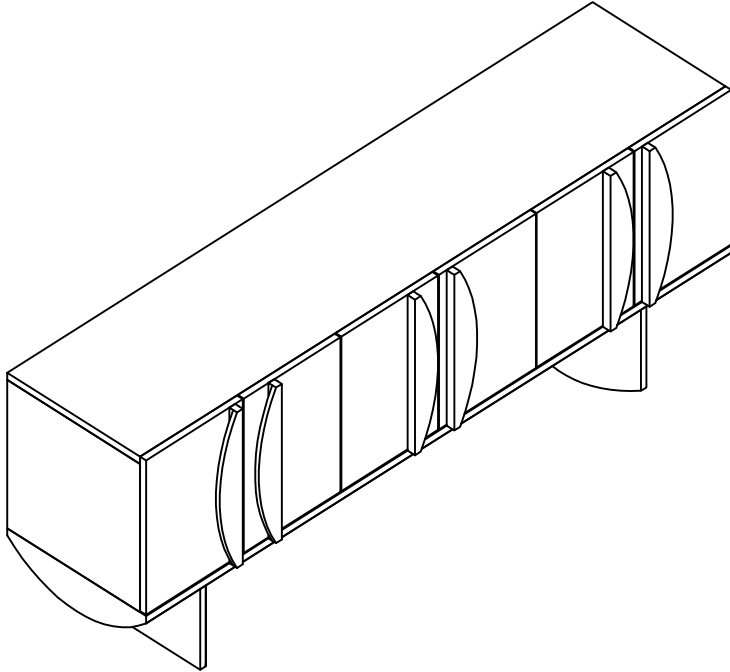


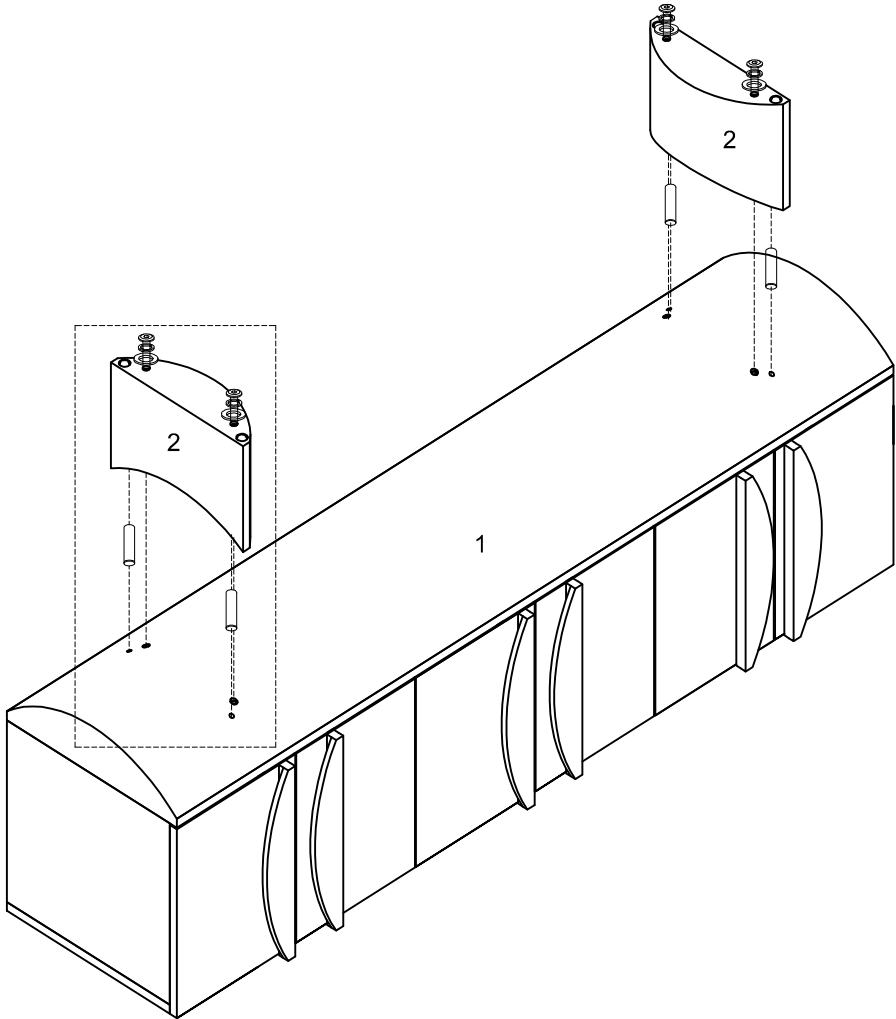
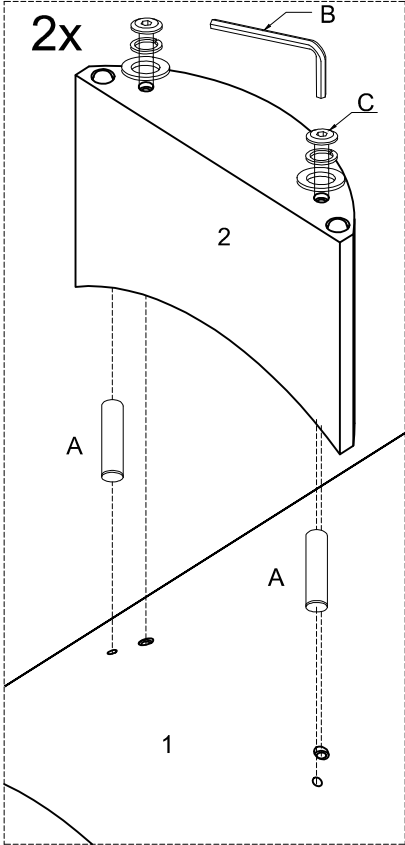
# ASSEMBLY INSTRUCTION FOR

## HARDWARE LIST

A		Wood dowels	8mm x 30mm	4
B		Allen Wrench	M4	1
C		Bolt	8mm x 215mm	4
D		Tipping Hardware	1 SET	



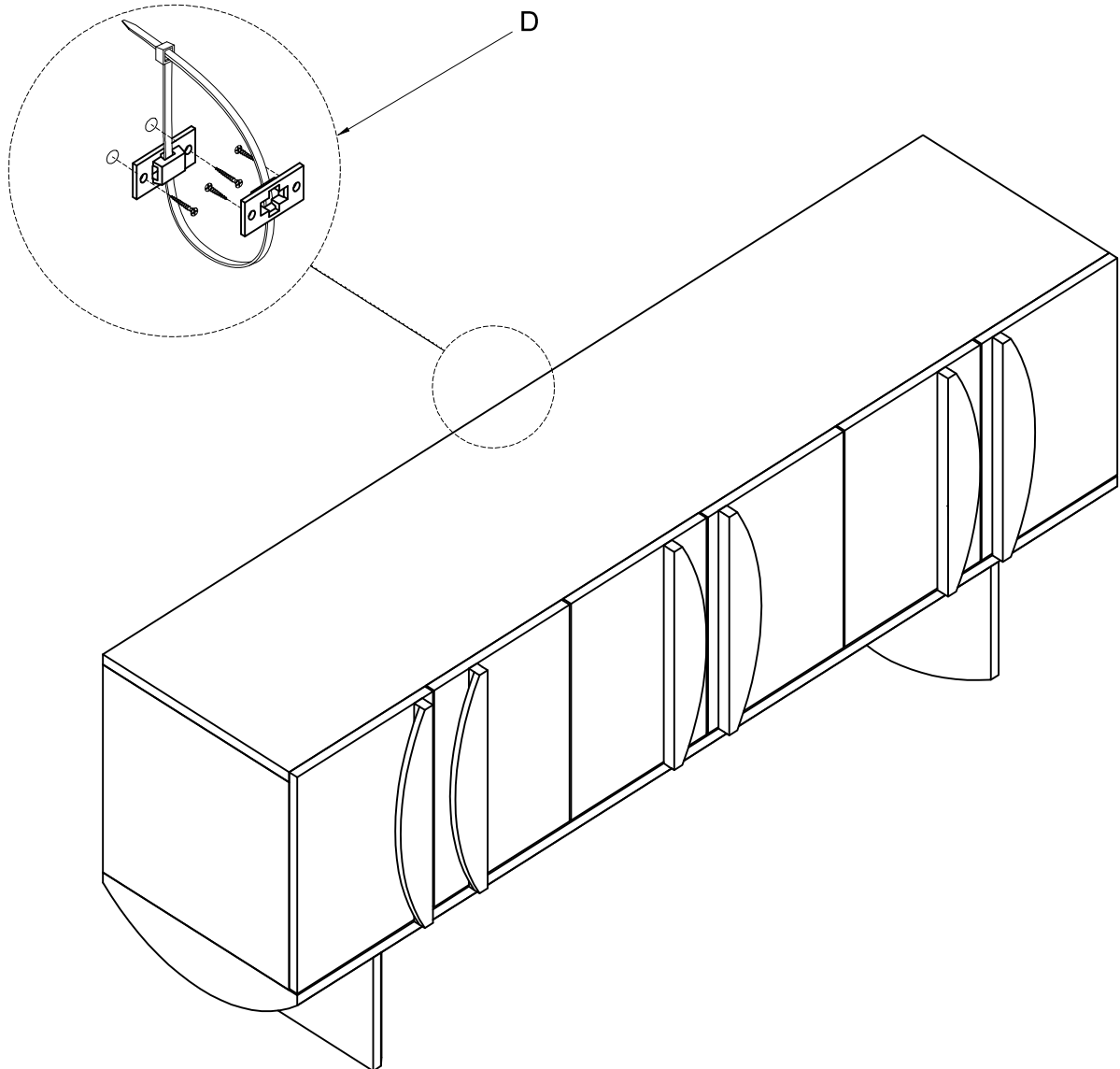
# ASSEMBLY INSTRUCTION FOR



# ASSEMBLY INSTRUCTION FOR

★ REMARK : There is a tip restraint kit provided on the back of this product please read the direction thoroughly and install immediately

## Tipping Hardware



# ASSEMBLY INSTRUCTION FOR

