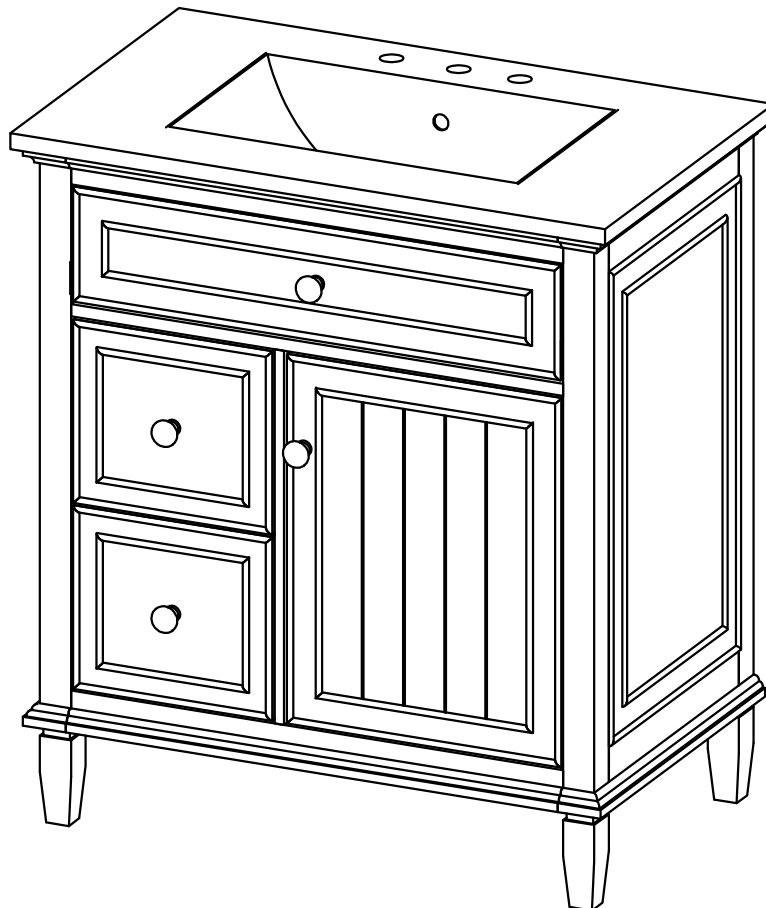


ASSEMBLY INSTRUCTION

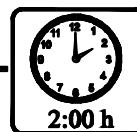
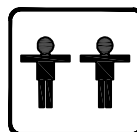
Bathroom Vanity



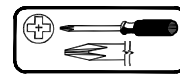
Thank you for purchasing this quality product. Be sure to check all packaging material carefully for small parts which may have come loose inside the carton during shipment. Separate, identify and count all parts and hardware. Compare with the parts list to be sure all parts are present.

"DO NOT TIGHTEN SCREWS UNTIL COMPLETELY ASSEMBLED"

▲
* Use of power tool to assemble this product will invalidate any claim and damage this product making unsafe !!!
* Please assemble on a clean soft surface to avoid damage.



Tools Required

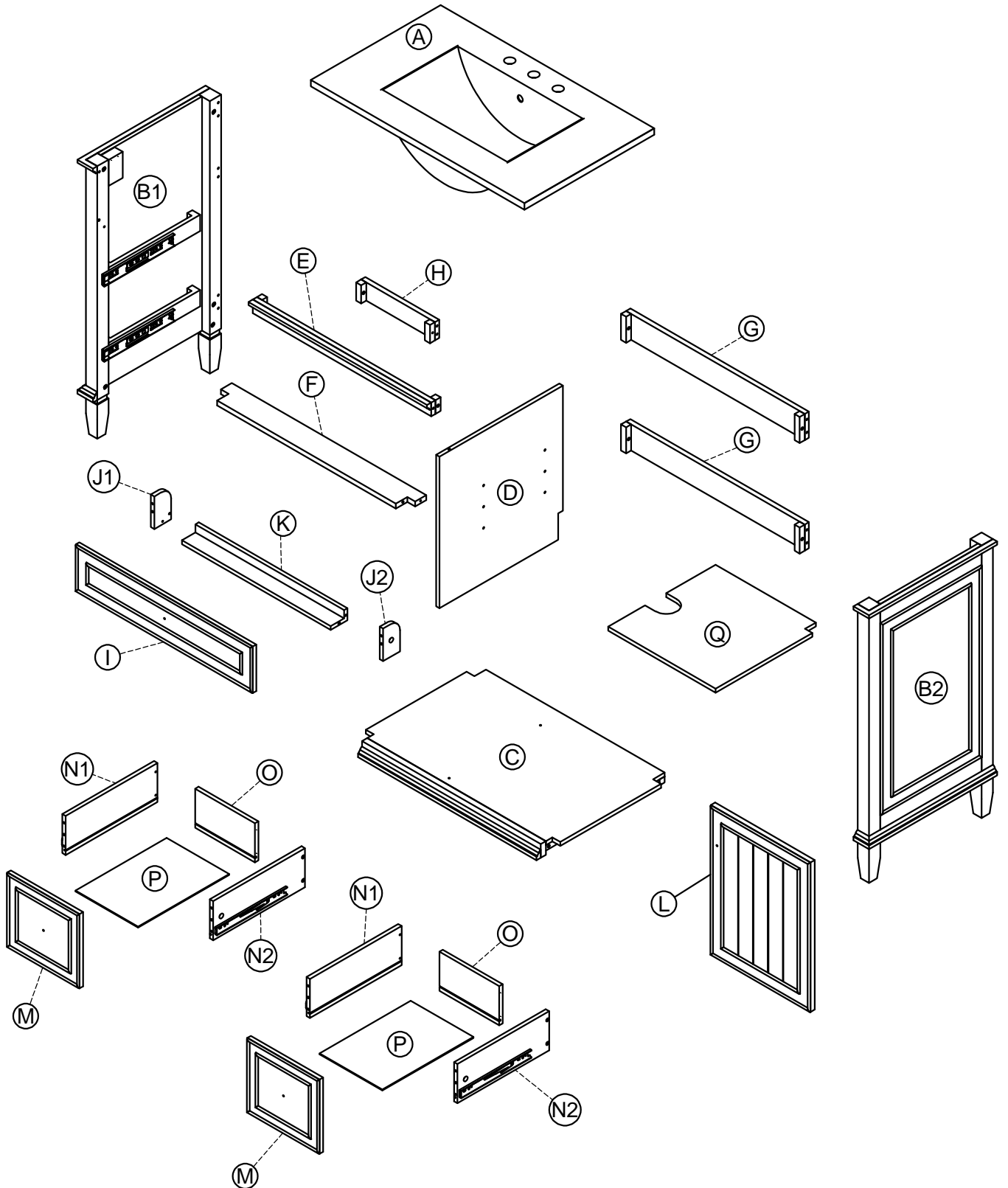


(Not included)

IMPORTANT:

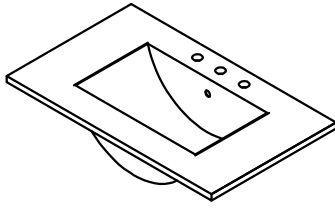
PLEASE READ INSTRUCTION BEFORE STARTING THE ASSEMBLY

ASSEMBLY INSTRUCTION



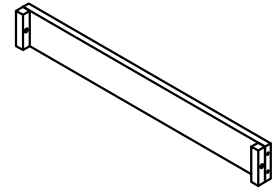
PACKAGE CONTENTS

Ⓐ x 1



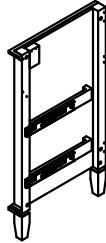
Sink

Ⓖ x 2



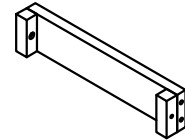
Back Bar

Ⓑ1 x 1



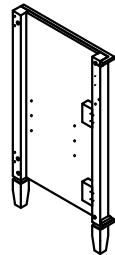
Left Side Board

Ⓕ x 1



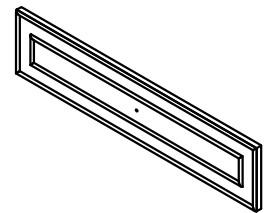
Right Side Back Bar

Ⓑ2 x 1



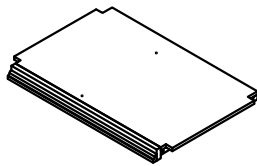
Right Side Board

Ⓖ x 1



Flip Down Panel

Ⓒ x 1



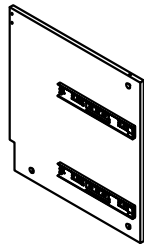
Bottom Panel

Ⓙ1 x 1



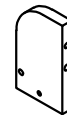
Left Side of Flip Down Panel

Ⓓ x 1



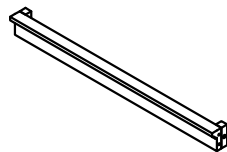
Middle Panel

Ⓙ2 x 1



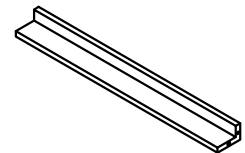
Right Side of Flip Down Panel

Ⓔ x 1



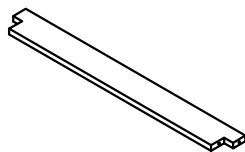
Upper Front Bar

Ⓚ x 1



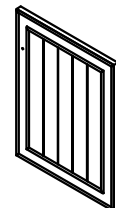
Bottom of Flip Down Panel

Ⓕ x 1



Lower Front Bar

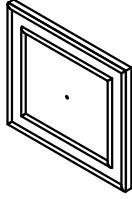
Ⓛ x 1



Right Door

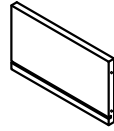
PACKAGE CONTENTS

Ⓜ x 2



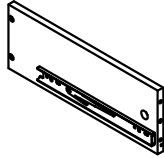
Drawer Front Panel

ⓐ x 2



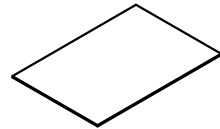
Drawer Back Side Panel

Ⓝ1 x 2



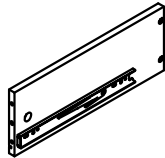
Drawer Left Side Panel

ⓐ x 2



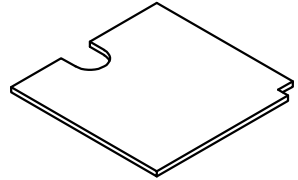
Drawer Bottom Panel

Ⓝ2 x 2



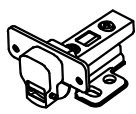
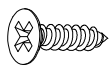
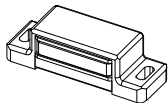
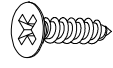

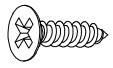
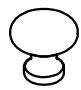
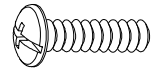


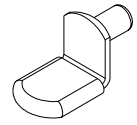
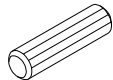



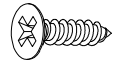
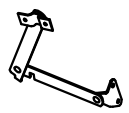
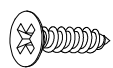



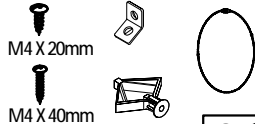
Drawer Right Side Panel

ⓑ x 1



Adjustable Shelf

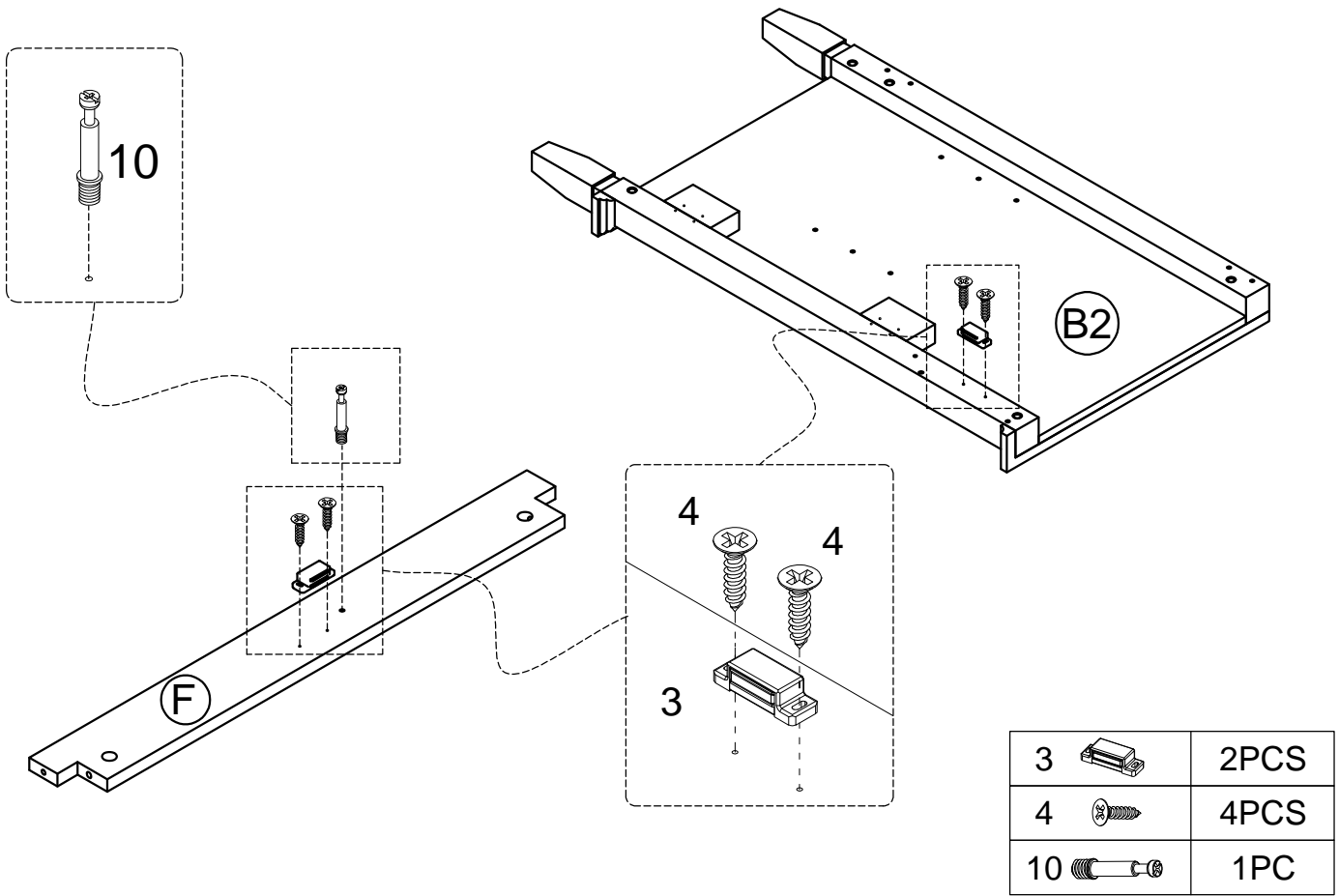
PACKAGE CONTENTS

1  Hinge 2PCS	2  Ø4x15mm 12PCS	3  2PCS	4  Ø3x15mm 4PCS
5  2PCS	6  Ø3x10mm 4PCS	7  Knob 4PCS	8  M4x20 mm 4PCS
9  Ø15x9mm 13PCS	10  Ø6 x35 mm 13PCS	11  4PCS	12  Ø6 x30 mm 28PCS
13  Ø4x25mm 10PCS	14  Left 1PC	15  Right 1PC	16  Ø3.5x15mm 6PCS
17  1PC	18  Ø3.5x12mm 4PCS	19  M6x35mm 10PCS	20  Ø6x16mm 10PCS
21  1PC	22  M4 X 20mm M4 X 40mm 2 Sets		

ASSEMBLY TOOLS REQUIRED (NOT INCLUDED)

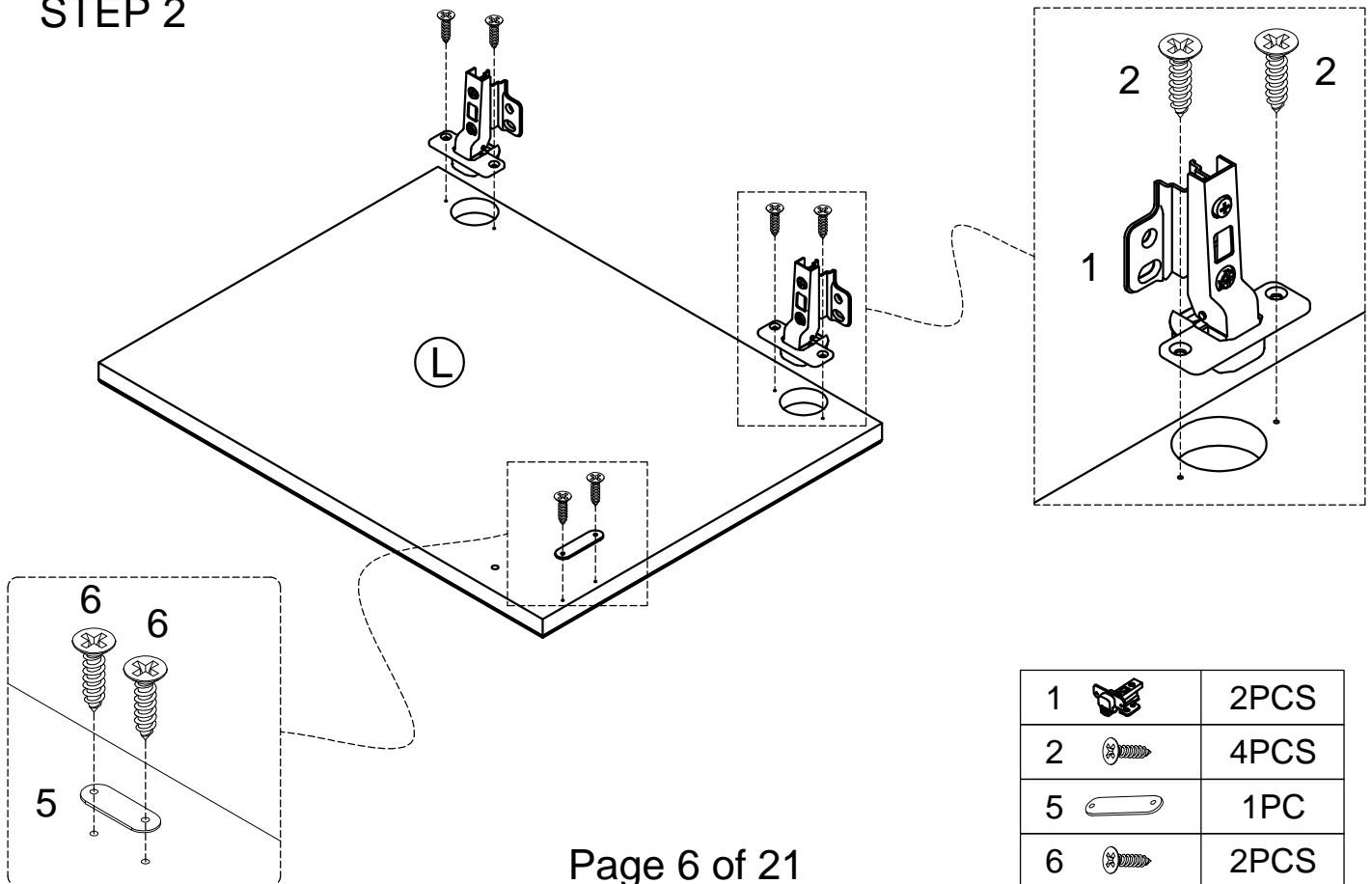


STEP 1



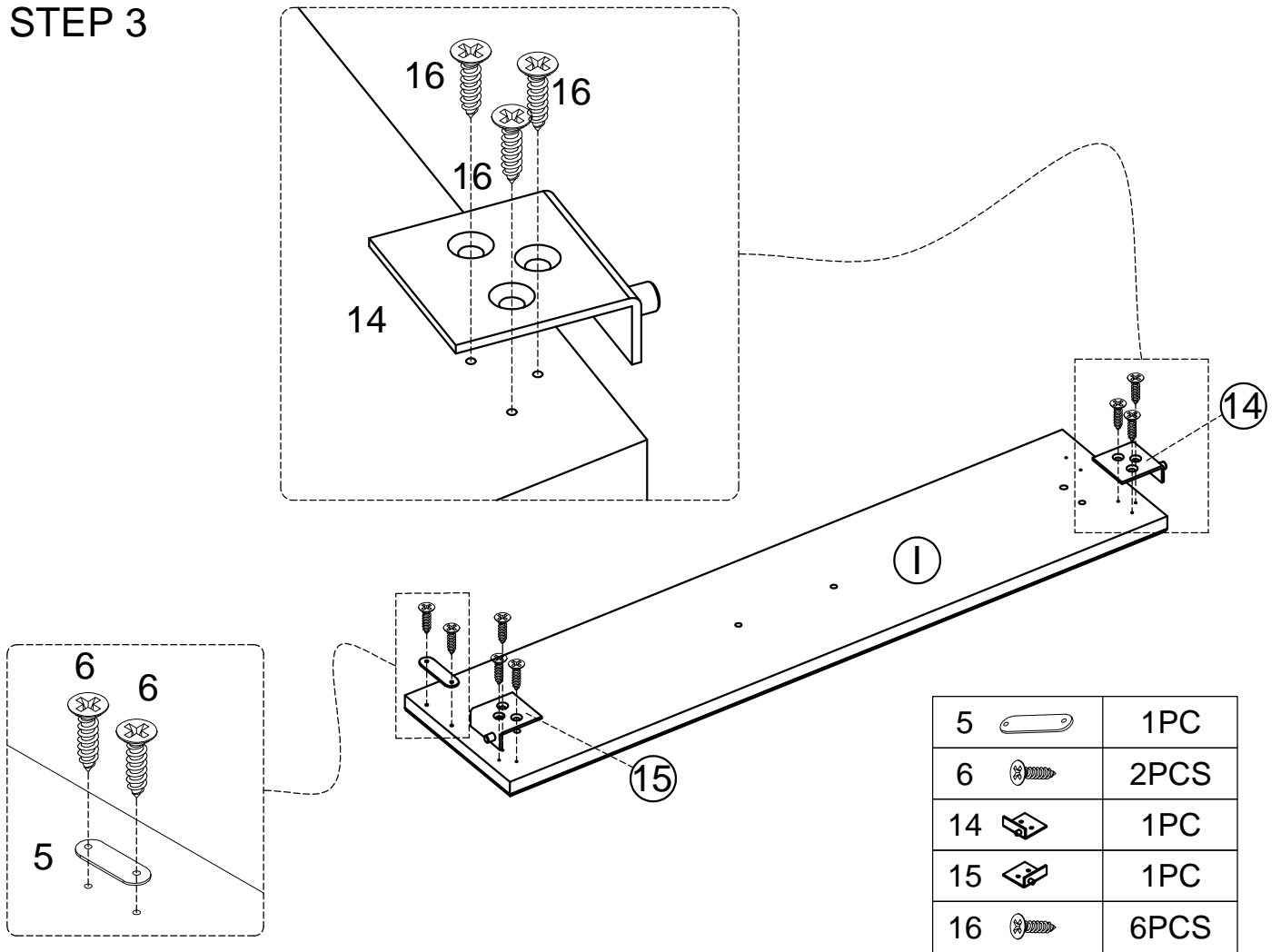
3		2PCS
4		4PCS
10		1PC

STEP 2

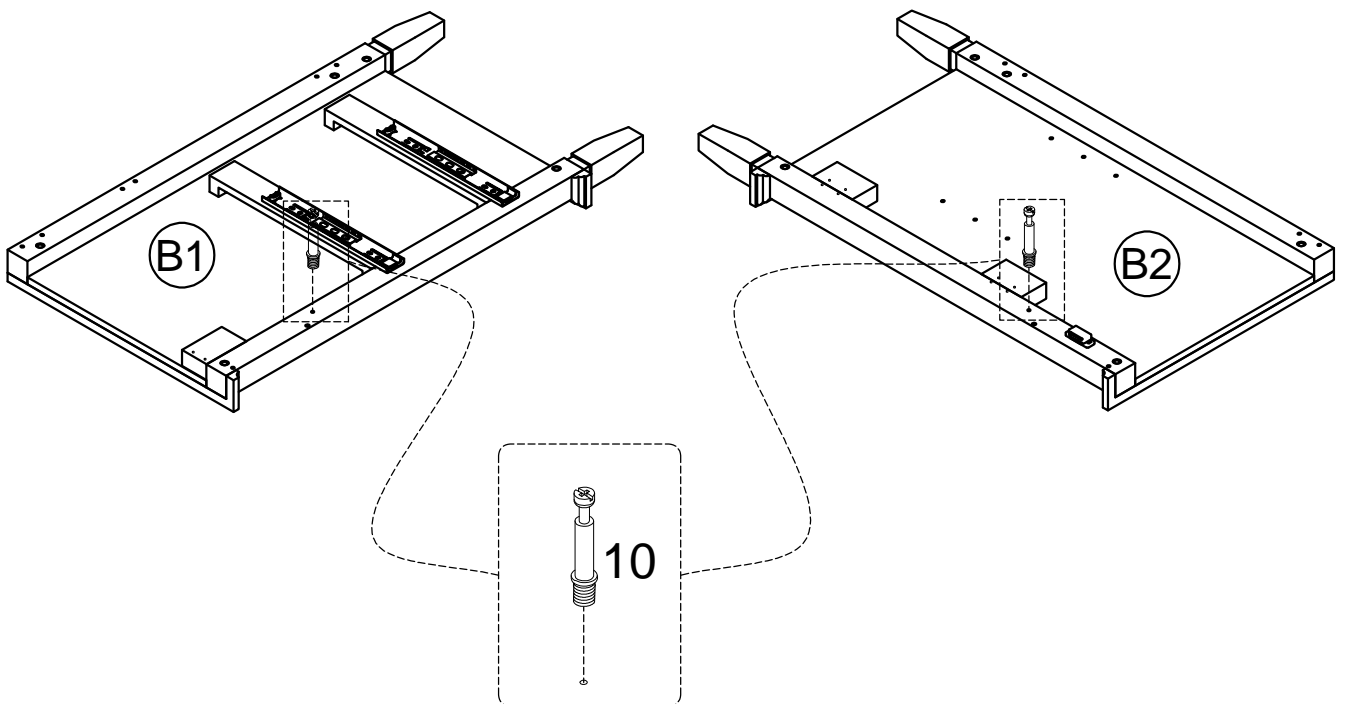


1		2PCS
2		4PCS
5		1PC
6		2PCS

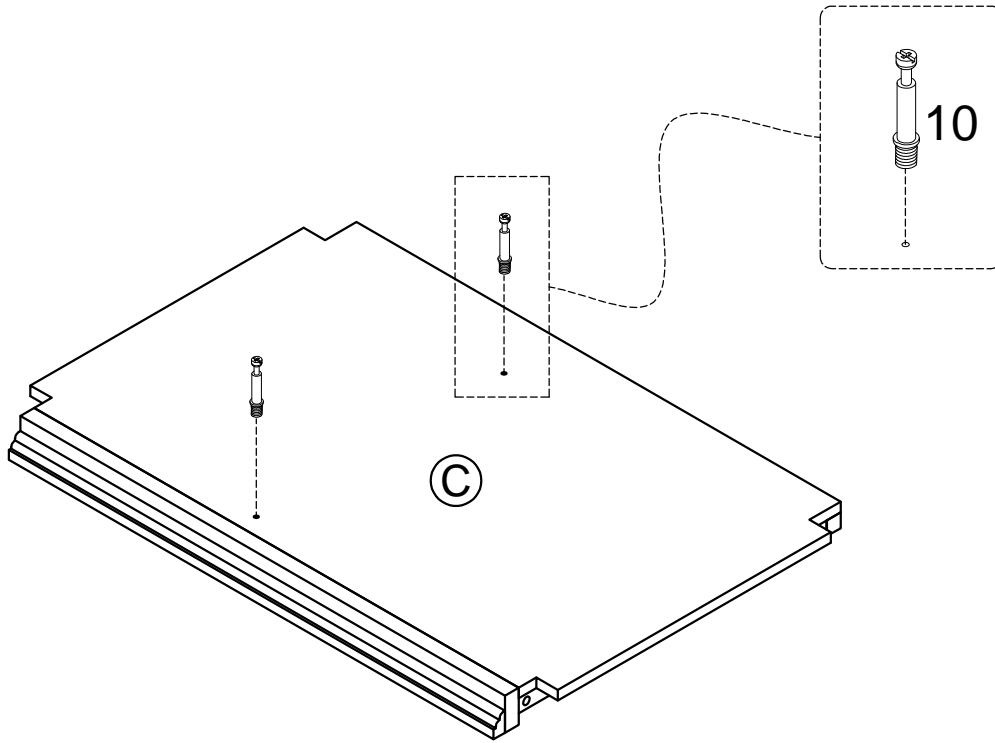
STEP 3




STEP 4

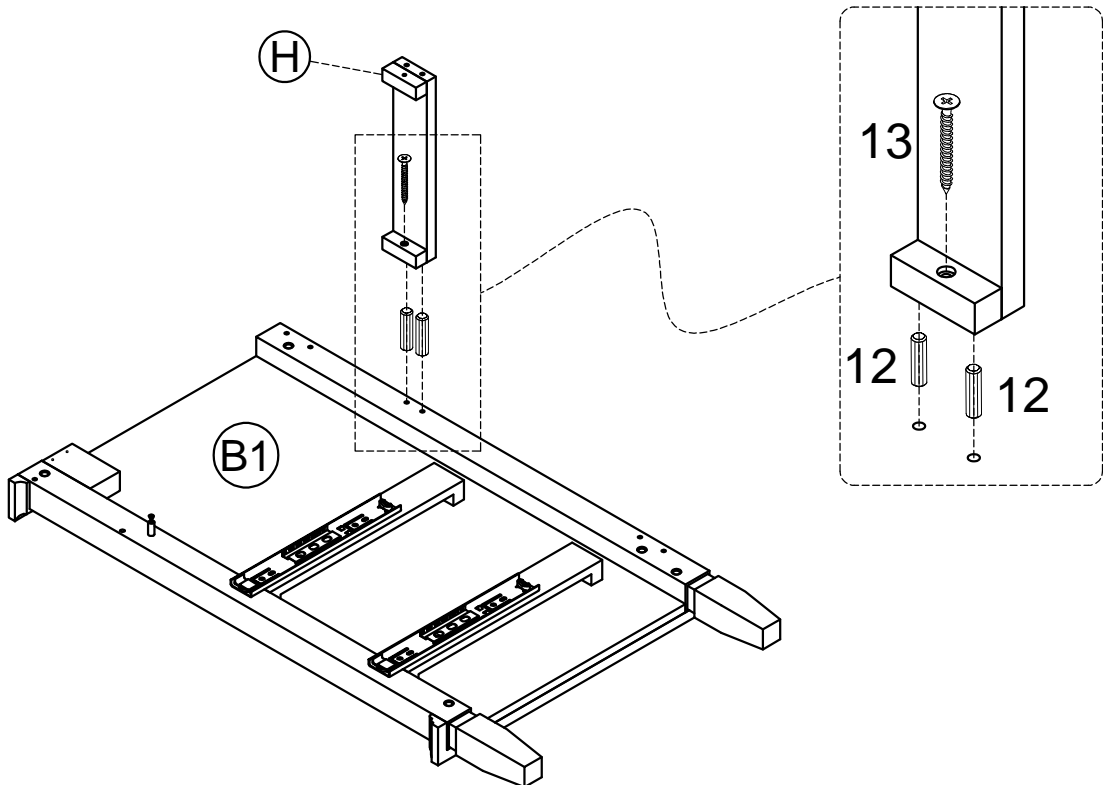


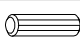

STEP 5



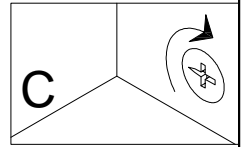
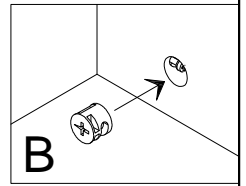
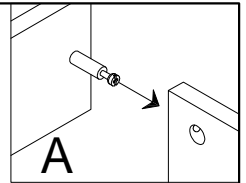
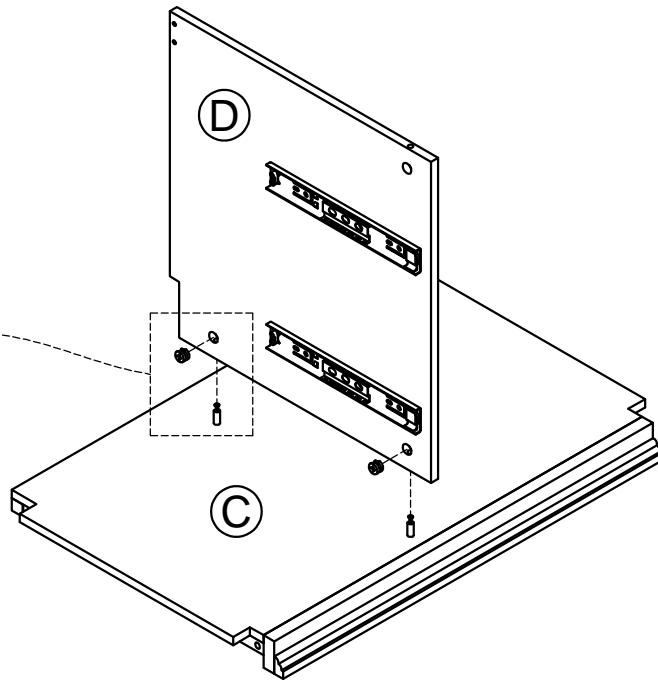
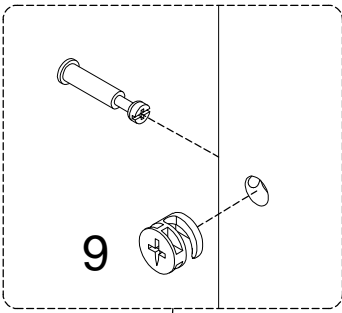
10		2PCS
----	---	------

STEP 6



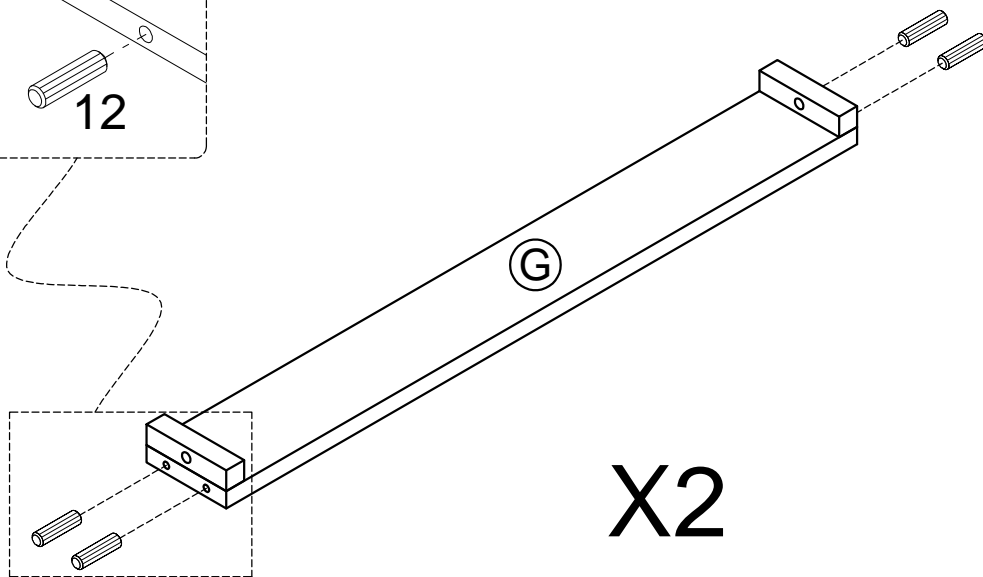
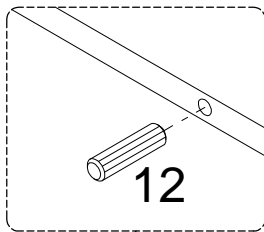
12		2PCS
13		1PC

STEP 7



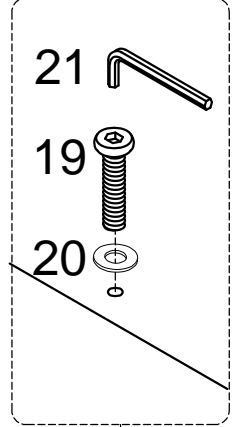
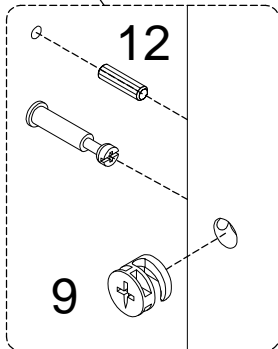
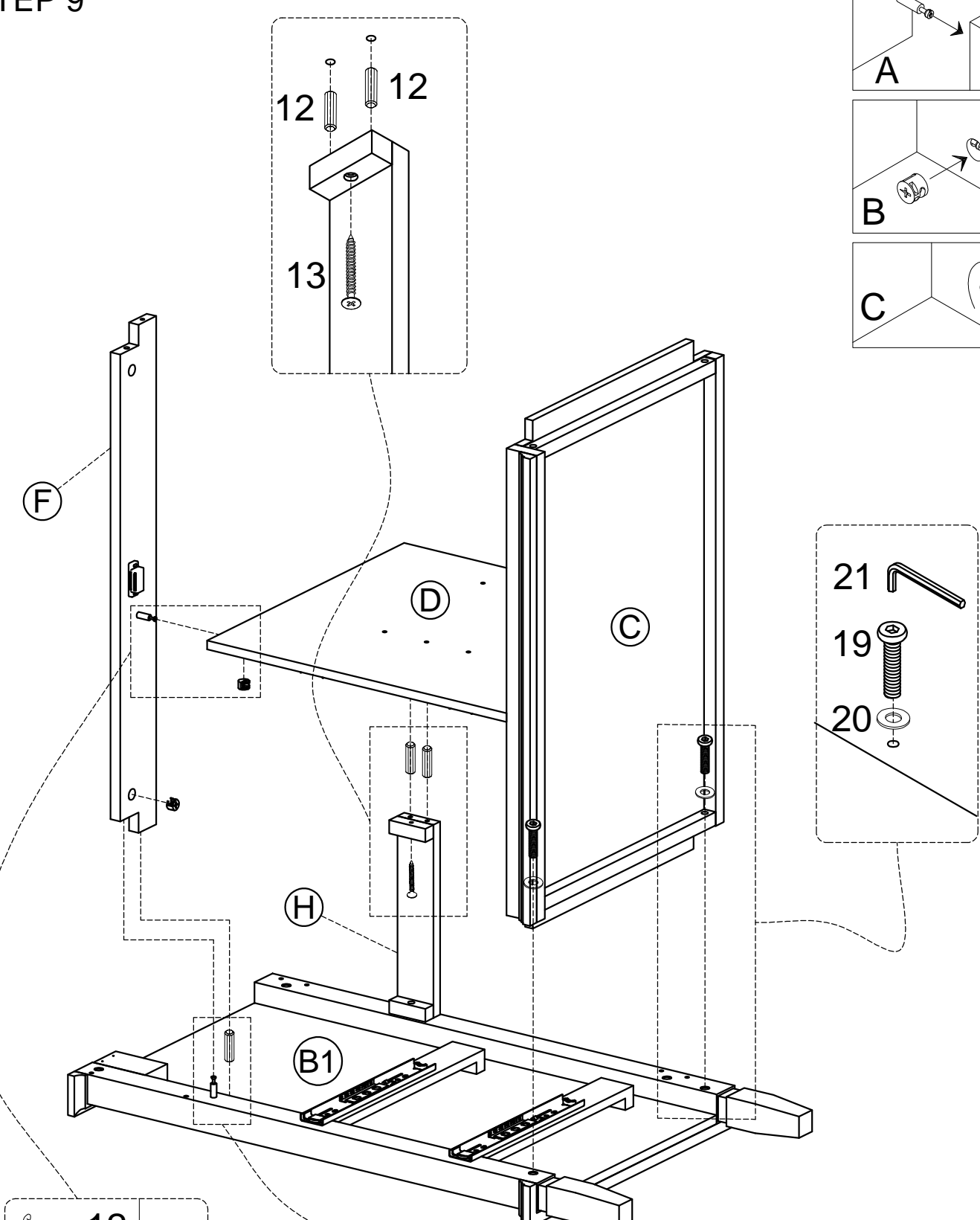
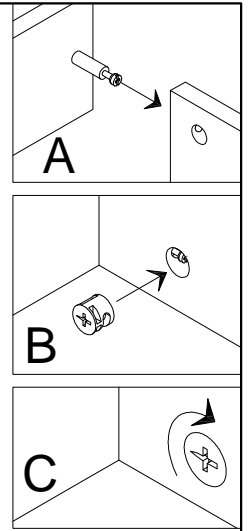
9		2PCS
---	--	------

STEP 8



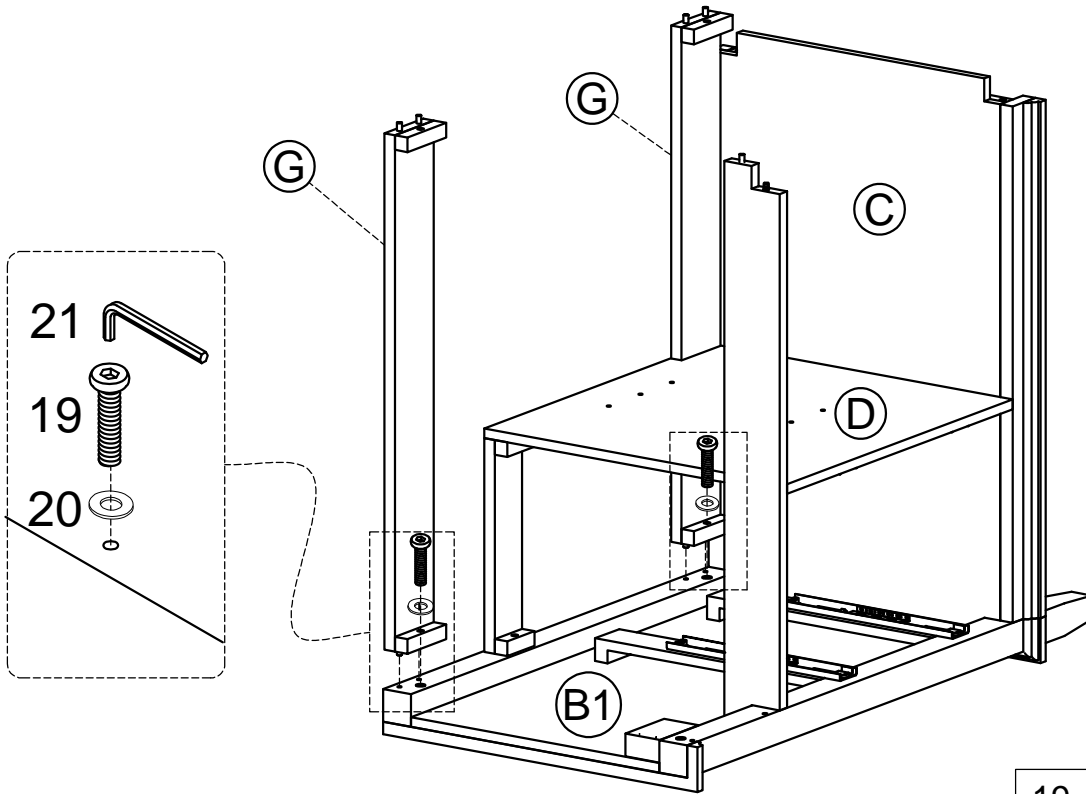
12		8PCS
----	--	------

STEP 9



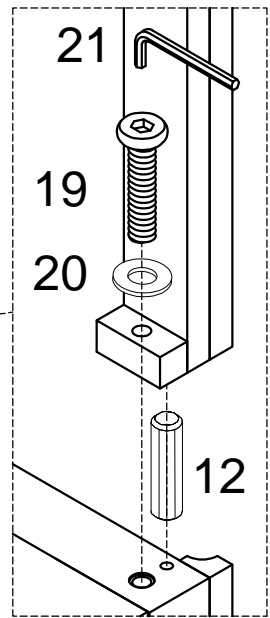
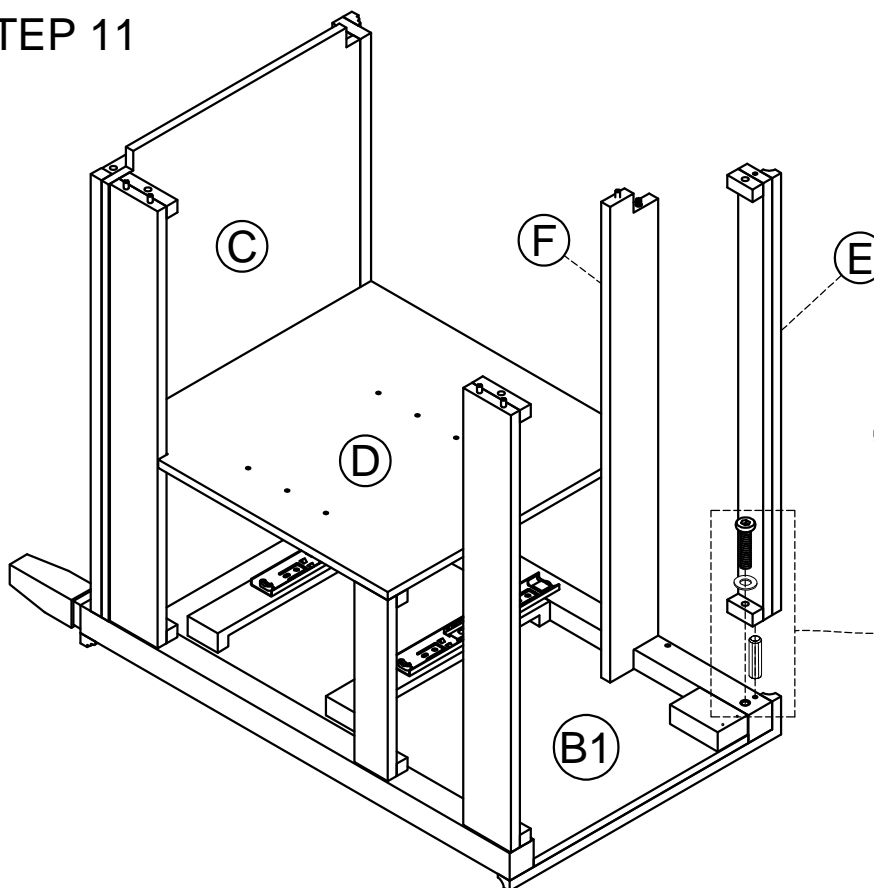
9		2PCS
12		3PCS
13		1PC
19		2PCS
20		2PCS
21		1PC

STEP 10



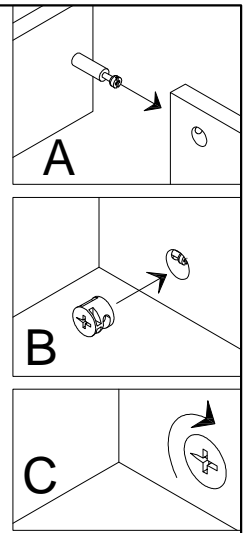
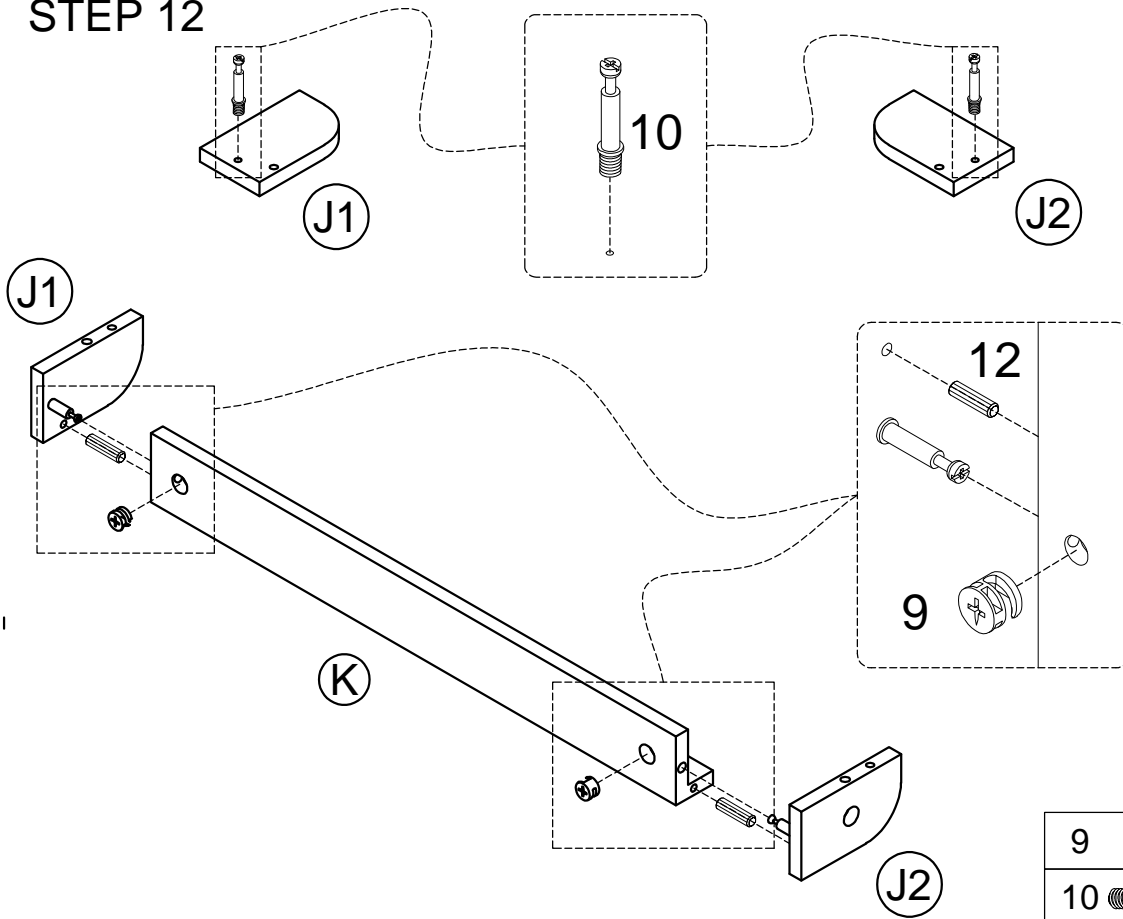
19		2PCS
20		2PCS
21		1PC

STEP 11



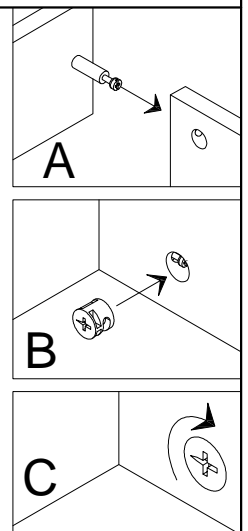
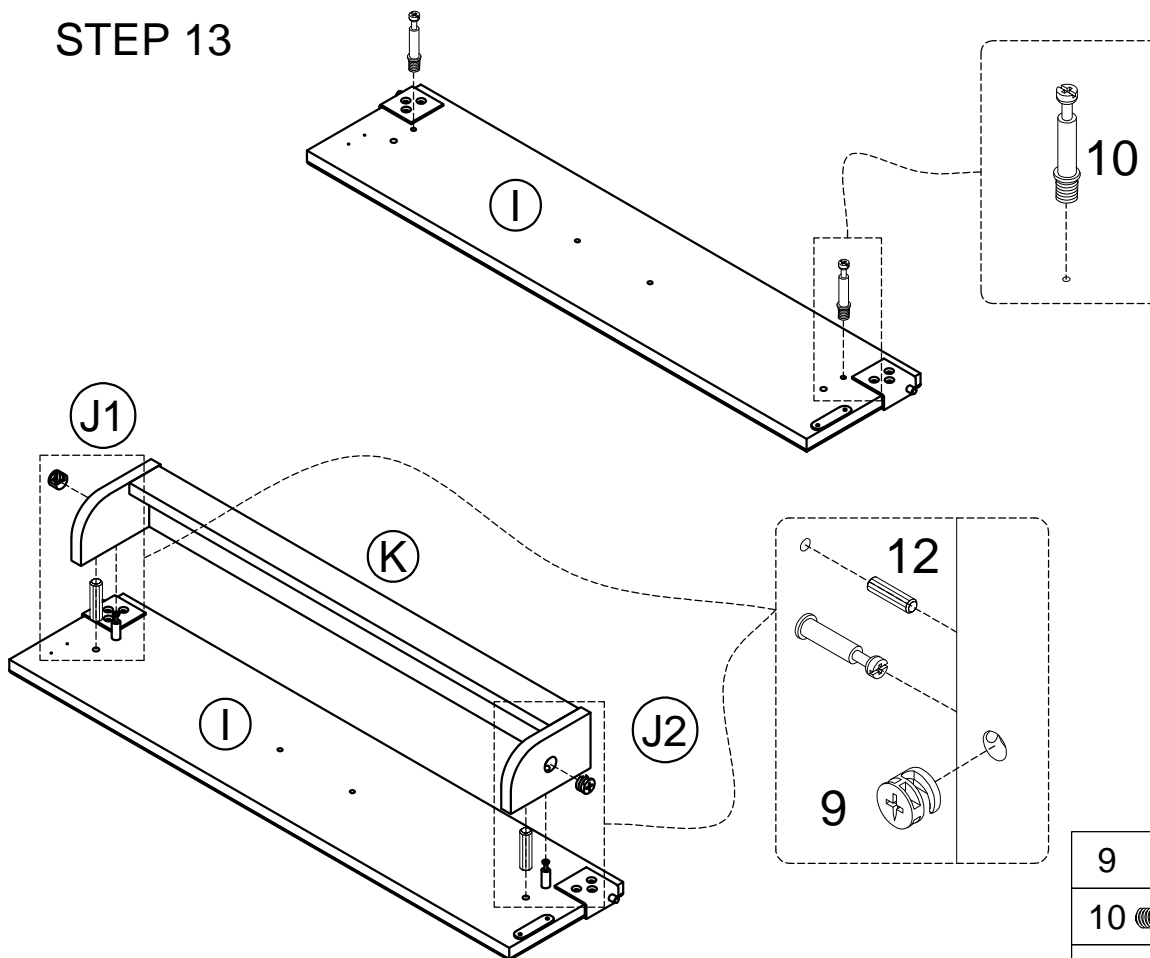
12		1PC
19		1PC
20		1PC
21		1PC

STEP 12



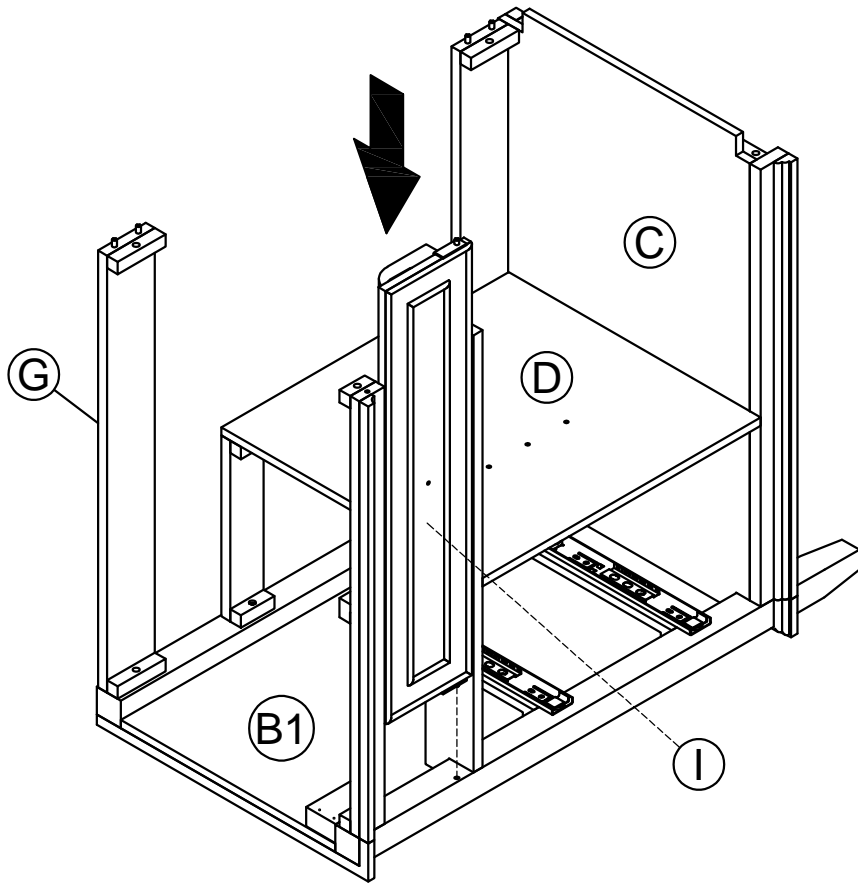
9		2PCS
10		2PCS
12		2PCS

STEP 13

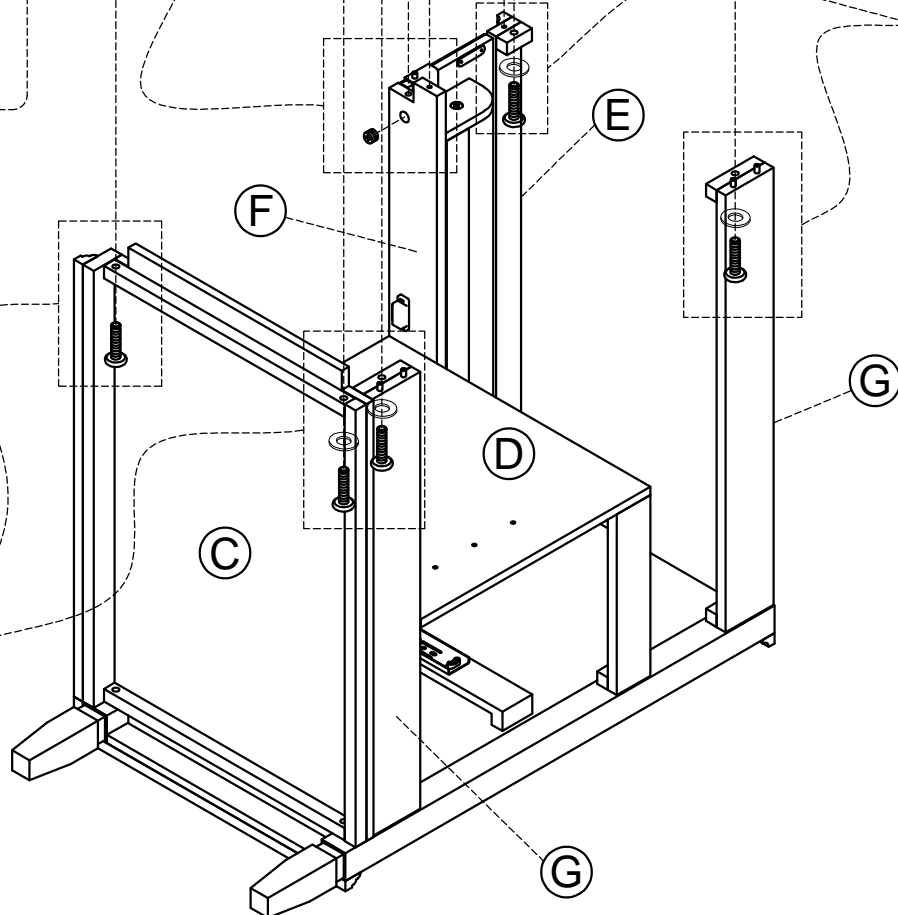
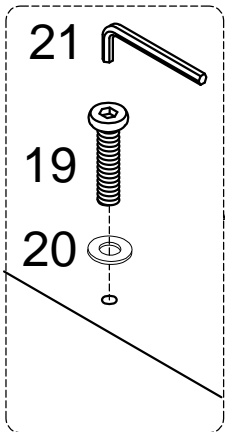
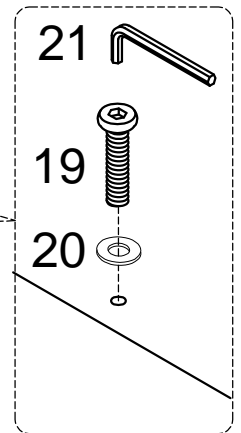
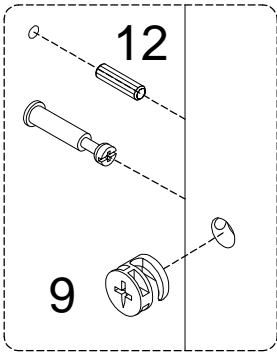
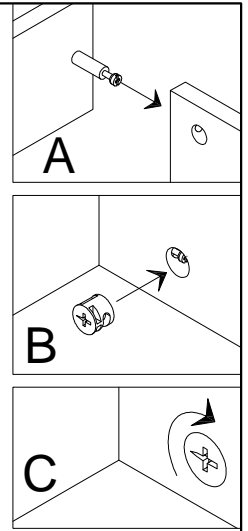
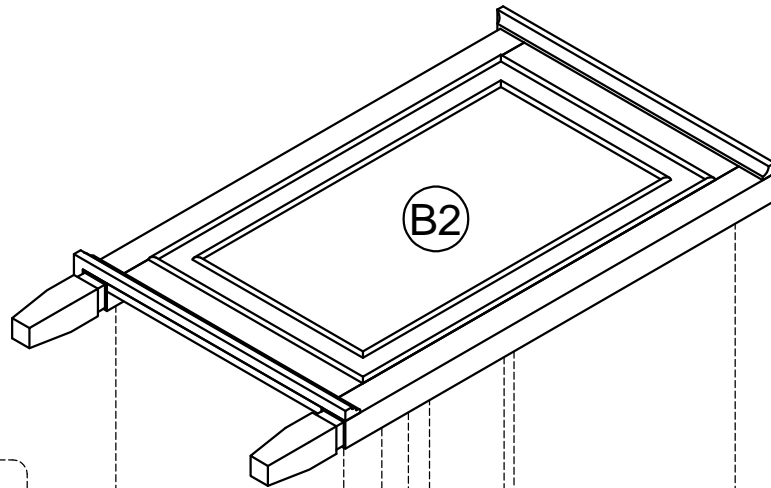


9		2PCS
10		2PCS
12		2PCS

STEP 14

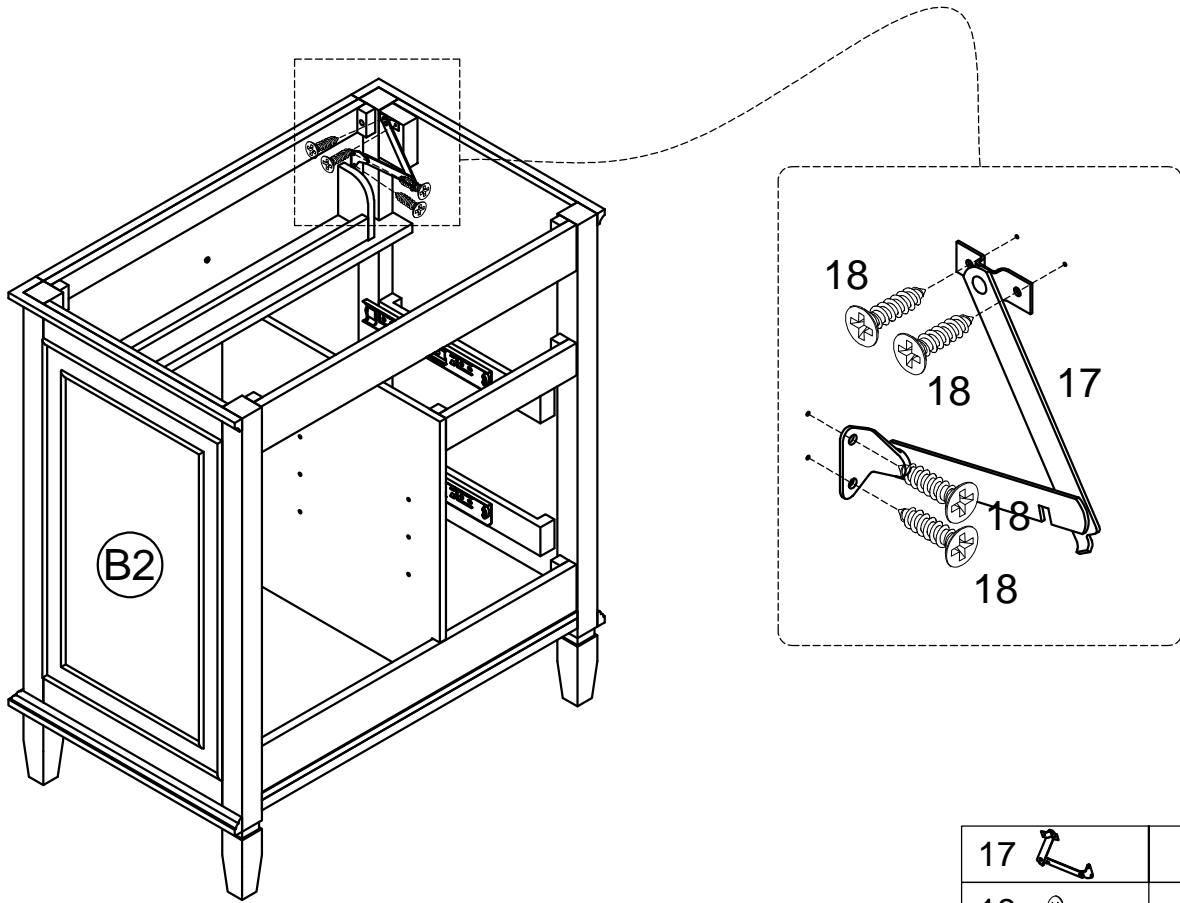




STEP 15



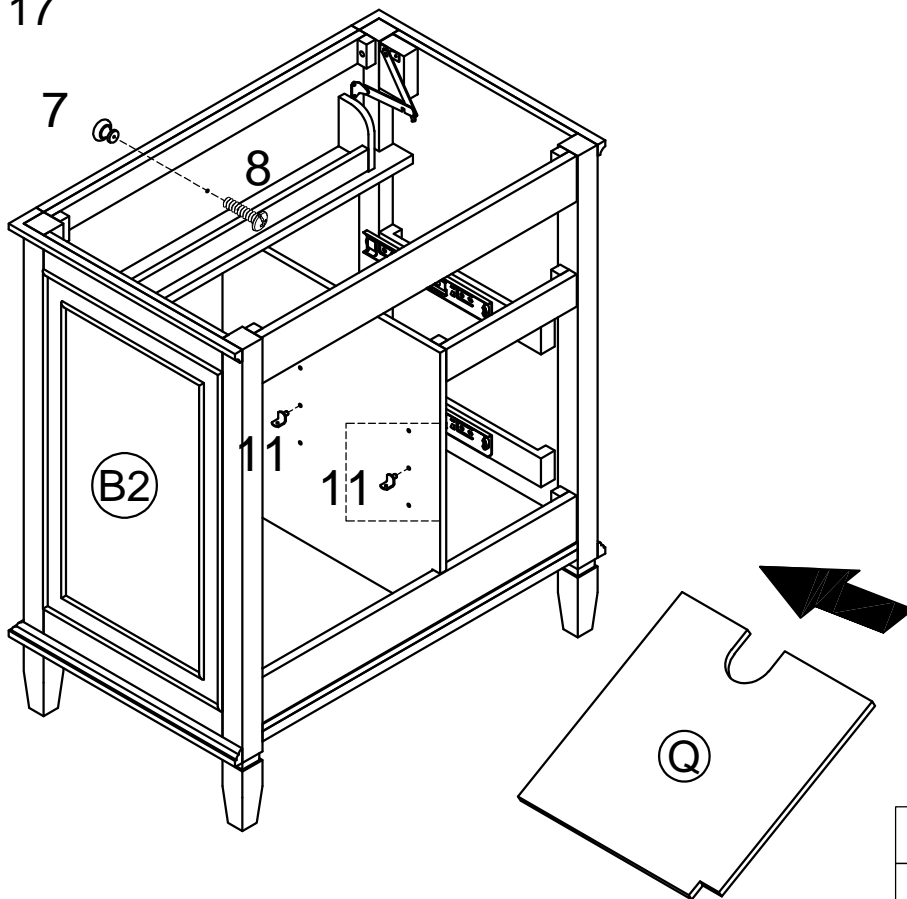
9		1PC
12		2PCS
19		5PCS
20		5PCS
21		1PC



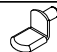
STEP 16



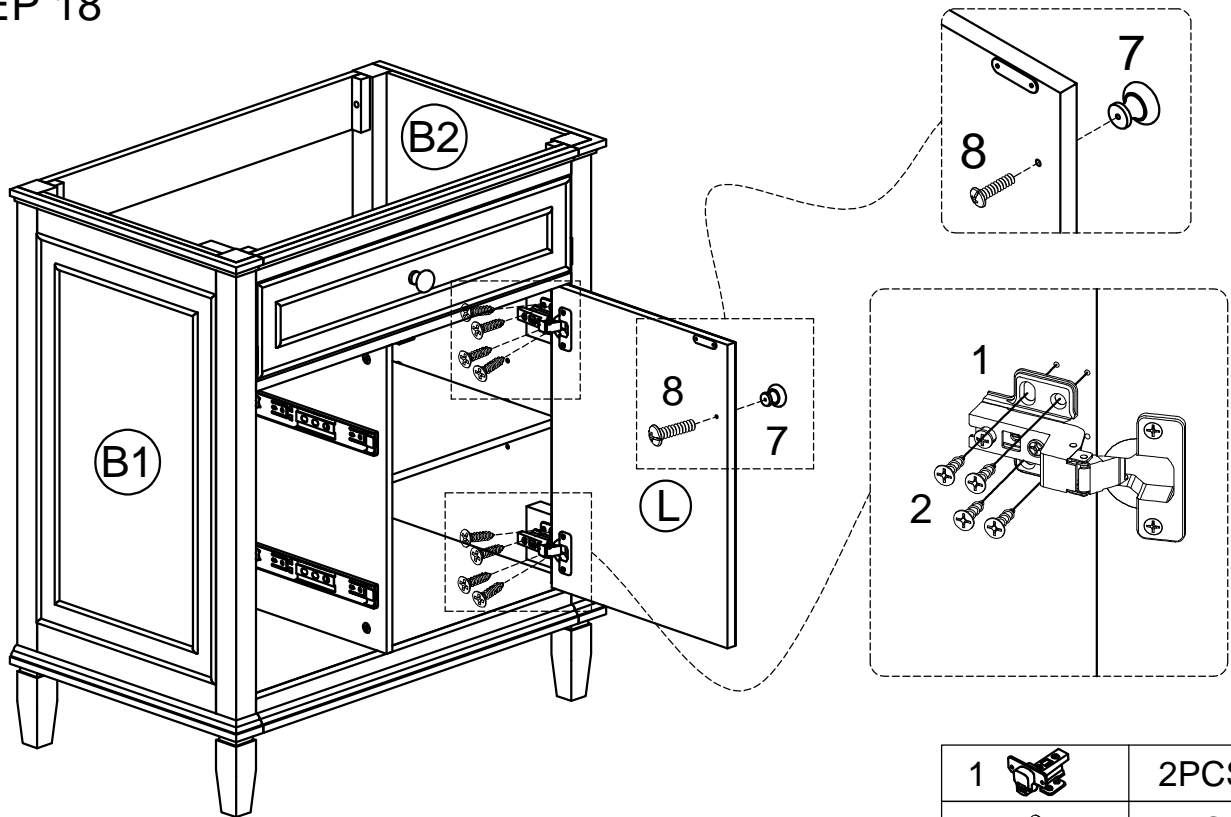
17		1PC
18		4PCS

STEP 17



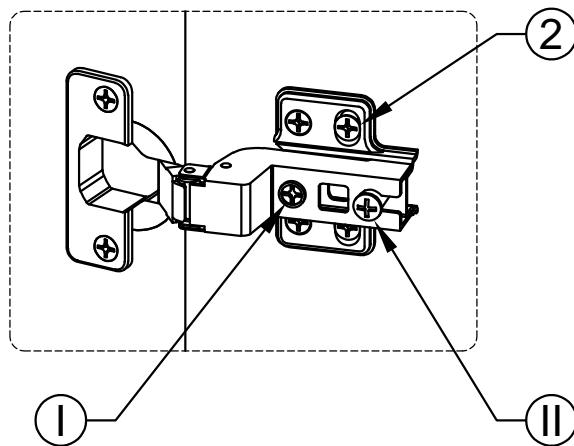
7		1PC
8		1PC
11		4PCS

STEP 18



1		2PCS
2		8PCS
7		1PC
8		1PC

STEP 19



Tighten the Screw marked ② to fasten hinge. The door may need to be adjusted so that all the spaces between the door and the unit sides are equal.

To adjust, follow instructions:

1. Side adjustment 4 mm

To move the door towards the side panel, loosen screw ① and tighten screw ② .

To move the door away from the side panel, loosen screw ② and tighten screw ① .

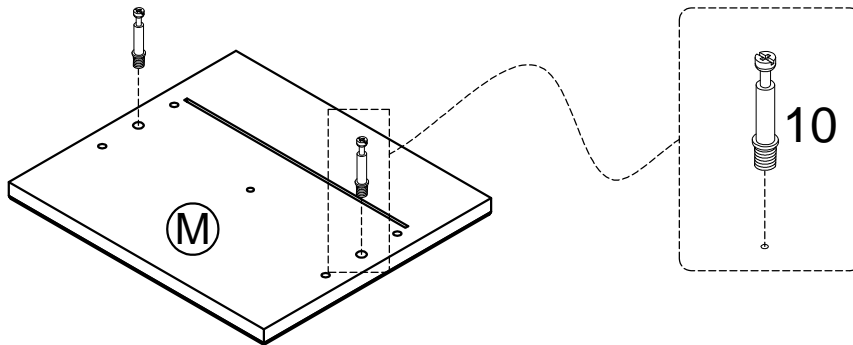
2. Depth adjustment 4 mm

Loosen screw ② (just one turn), adjust door to desired position, re-tighten screw .

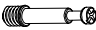
3. Height adjustment

Loosen screw ②, adjust door to desired position, re-tighten screw .

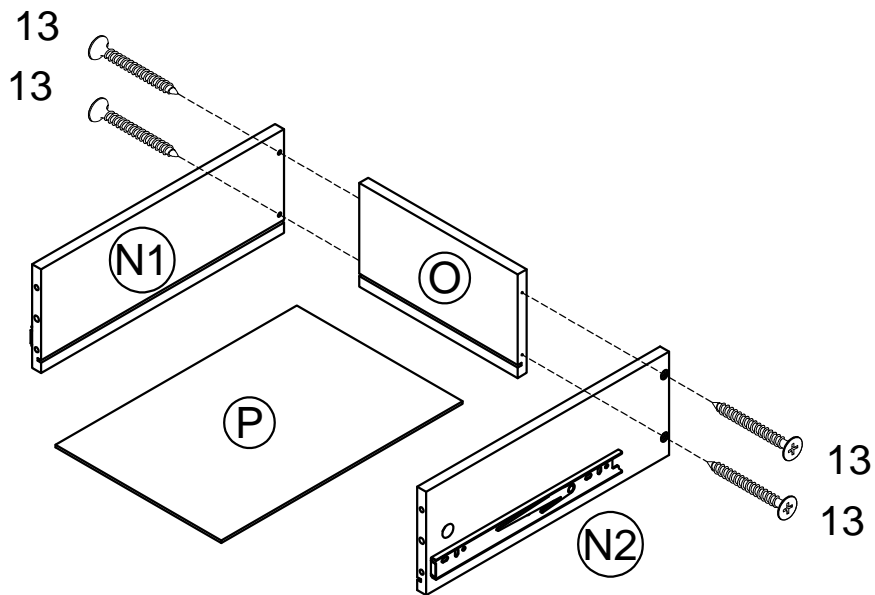
STEP 20




X2

10 	4PCS
--	------

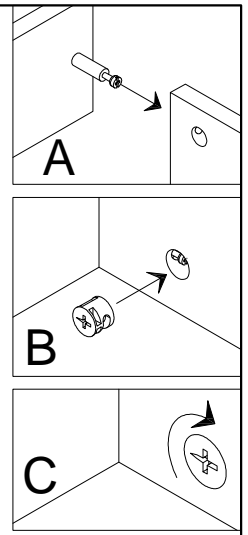
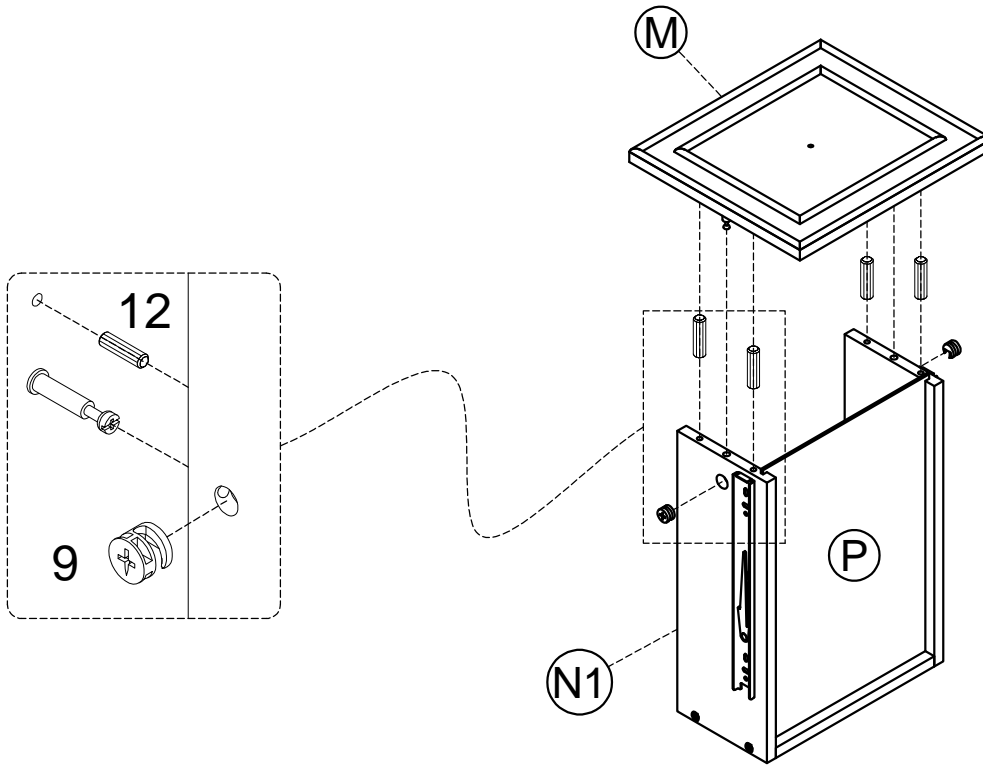
STEP 21



X2

13 	8PCS
--	------

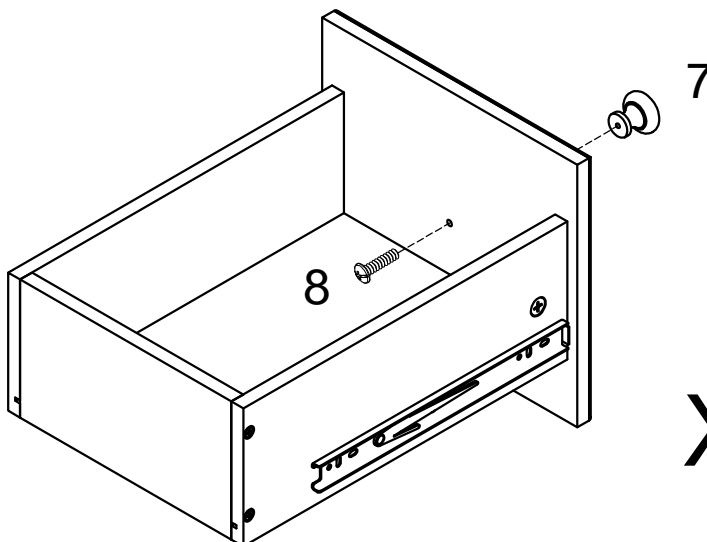
STEP 22



X2

9		4PCS
12		8PCS

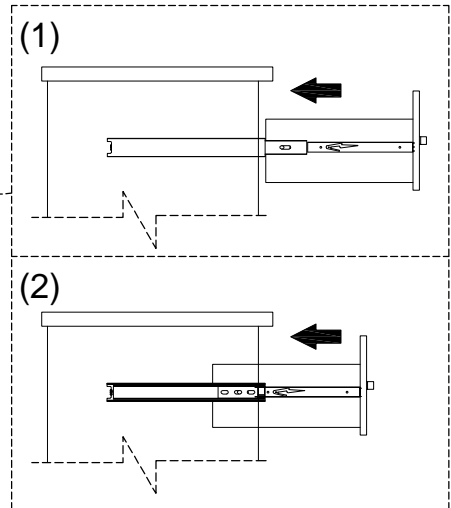
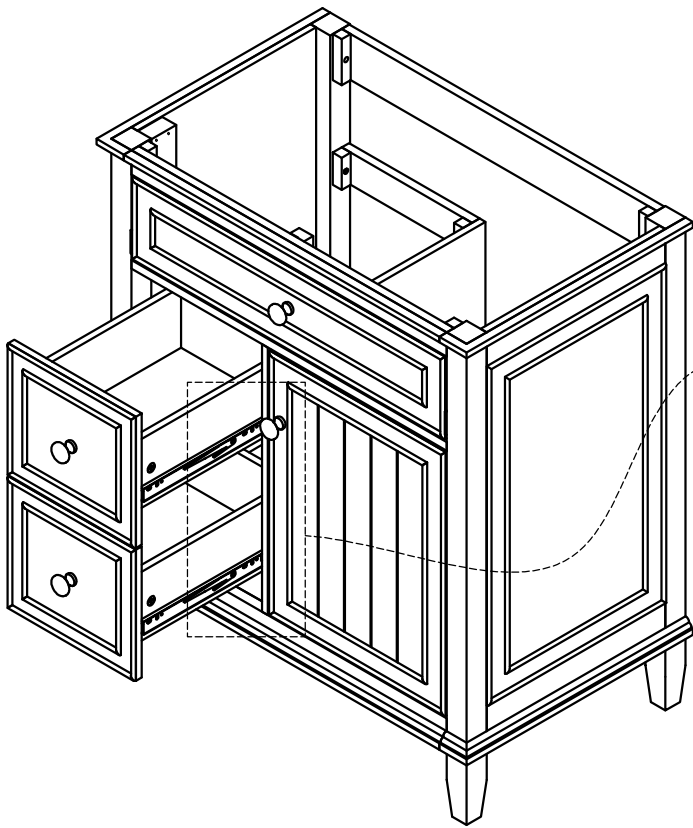
STEP 23



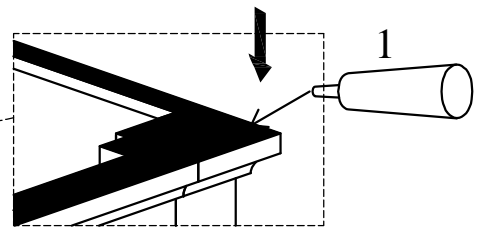
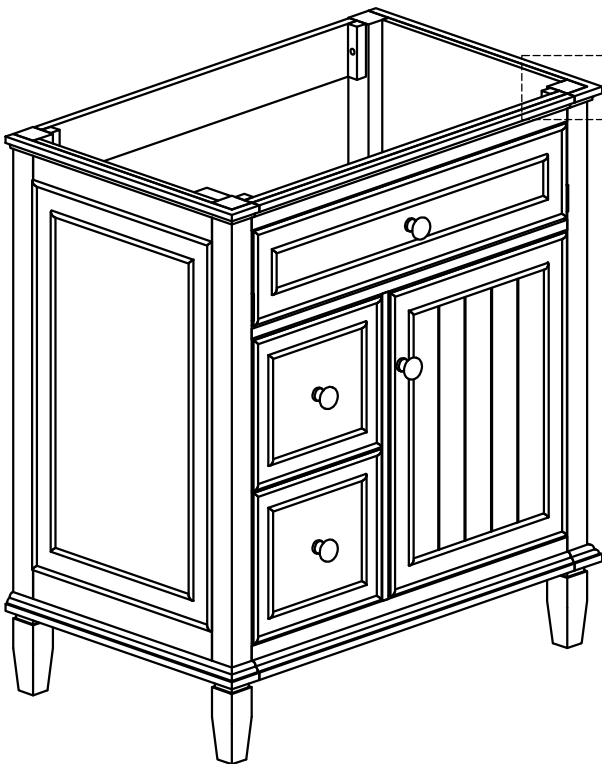
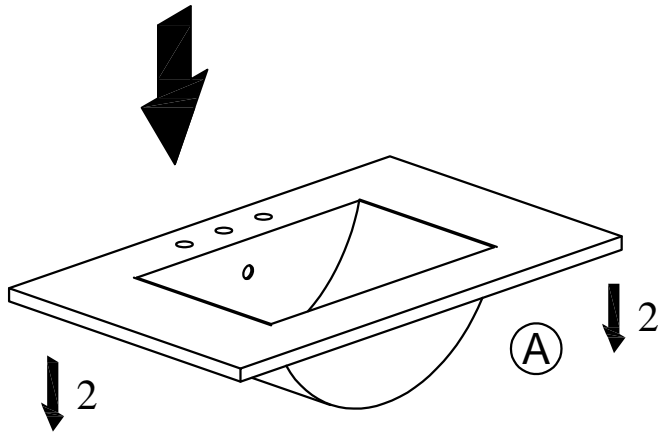
X2

7		2PCS
8		2PCS

STEP 24



STEP 25


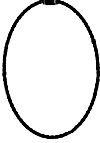





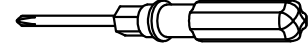
To install the Top (1) onto the Vanity (2).
Apply silicone caulk along the top edge of the wooden cabinet.
With the help of another adult carefully lower the sink top
with the sink already assembled onto the cabinet.
Make sure the sink top is flush with the back of the
wooden cabinet and aligned with the left and right side panels.
Apply installation adhesive to secure the Top (1) to the Vanity (2)



WARNING

Serious or fatal crushing injuries can occur from furniture tip-over.
 If the furniture tip over restraint kit is not in the box, please contact our customer service department in order to obtain another kit before using the furniture.

A1		4	D1		2
B1	 M4 X 20mm	2			
C1	 M4 X 40mm	2	E1		2



NOTE: The screwdriver is not included in the hardware pack.

It can be attached with a wall plug or not, depending on the wall's hardness.

