



see what Delta can do™

## KITCHEN SINKS

- Rivet® Collection
- Undermount Workstation

### FEATURES:

- Undermount Double Bowl Sink
- Rear Center Set Drains
- NoiseDefend Undercoating and Sound Dampening Pads

### STANDARD SPECIFICATIONS:

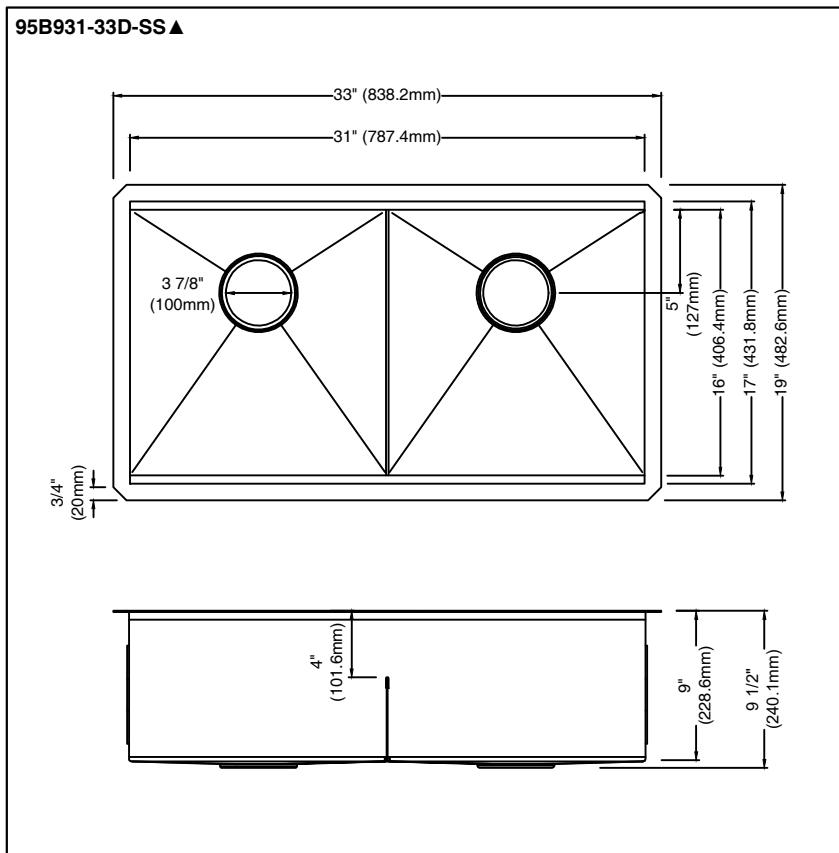
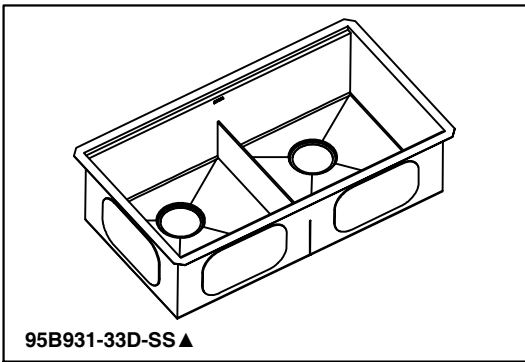
- 16 Gauge Stainless Steel Construction
- Required Minimum Cabinet Size: 36" Left to Right, 24" Front to Back
- 3 7/8" Drain Openings
- Strainer ADU25-SS x2 (included)
- Cover Cap AEU25-SS x2 (included)
- Bottom Grid AFU31-UD33-SS x2 (included)
- Cutting Board ABU24-WFB-BL (included)
- Rolling Mat ACU24-SRMC-BL (included)
- Drying Mat ACU25-SDDM-BL (included)
- Cut-Out Template (included)
- Undermount Hardware (included)

### WARRANTY:

- Lifetime Limited Warranty

### COMPLIES WITH:

- cUPC (ASME A112.19.3/CSA B45.4)



#### ▲ Designate proper finish suffix

Delta reserves the right (1) to make changes in specifications and materials, and (2) to change or discontinue models, both without notice or obligation. Dimensions are for reference only. See current full-line price book or [www.deltafaucet.com](http://www.deltafaucet.com) for finish options and product availability.

#### Delta Faucet Company

55 E. 111th Street, Indianapolis, IN 46280  
 350 South Edgeware Road, St. Thomas, ON N5P 4L1  
 Sinksupport@deltafaucet.com  
 © 2021 Delta Faucet Company