

Clamp-on 24” Industrial Pipe Shelves

SKU: DESK-SHELF24-2N
Instruction Manual

Assembly Video & Product Info
www.vivo-us.com/products/desk-shelf16-2n



! CAUTION! !

If you do not understand these directions, or if you have any doubts about the safety of the installation, please contact our product support team at 309-278-5303 or help@vivo-us.com for further assistance. Check carefully to make sure there are no missing or defective parts. Improper installation may cause damage or serious injury. Do not use this product for any purpose that is not explicitly specified in this manual. Do not exceed weight capacity. We cannot be liable for damage or injury caused by improper mounting, incorrect assembly or inappropriate use.



WARNING: CHOKING HAZARD

SMALL PARTS - NOT FOR CHILDREN UNDER 3 YEARS. ADULT SUPERVISION IS REQUIRED.



DO NOT EXCEED WEIGHT CAPACITY

FAILURE TO DO SO MAY RESULT IN SERIOUS INJURY.

We're Here for You

Open **Monday - Friday 7:00am - 7:00pm** CST, our dedicated support team can offer immediate assistance with rapid response times. If any parts are received damaged or defective, please contact us. We are happy to replace parts to ensure you have a fully functioning product.



Give us a Call:
309-278-5303

AVG. RESOLUTION TIME (*within office hrs*): **5M 4S**



Chat Us:
www.vivo-us.com

AVG. RESOLUTION TIME (*within office hrs*): **< 15 M**

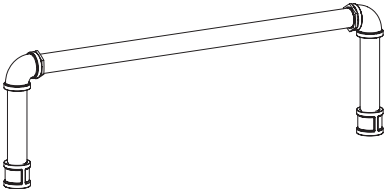


Email Us:
help@vivo-us.com

AVG. RESPONSE TIME (*within office hrs*): **1HR 8M**

- 23% within < 15m
- 38% within < 30m
- 61% within < 1hr
- 83% within < 2hr
- 92% within < 3hr

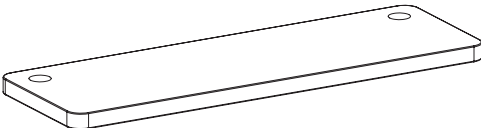
Package Contents



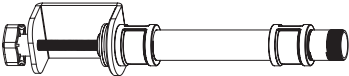
A (x1)
Top Pipe



B (x2)
Middle Pipe



C (x2)
Shelf



D (x2)
Pipe with
Clamp

Included Tools



T-A (x1)
5mm Allen Wrench

Weight Capacity



Per Shelf

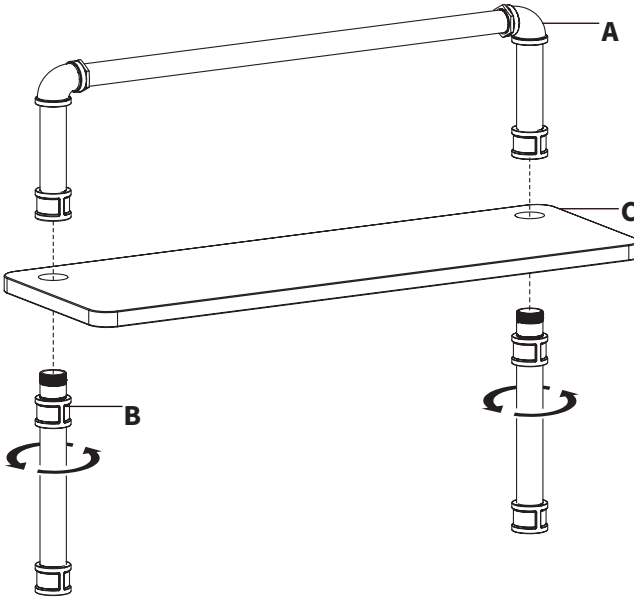


Total

ASSEMBLY STEPS

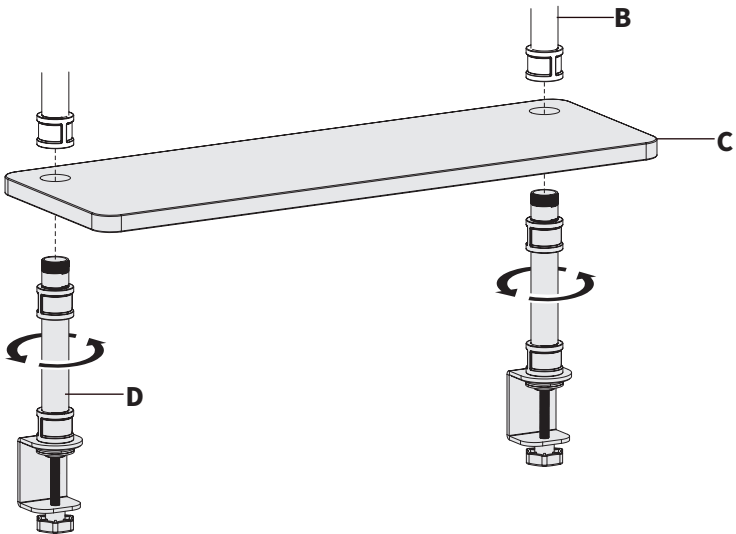
STEP 1

Place one Shelf (**C**) over threaded ends of Middle Pipes (**B**). Thread Middle Pipes into Top Pipe (**A**), ensuring that Shelf is in-between Top and Middle Pipes.



STEP 2

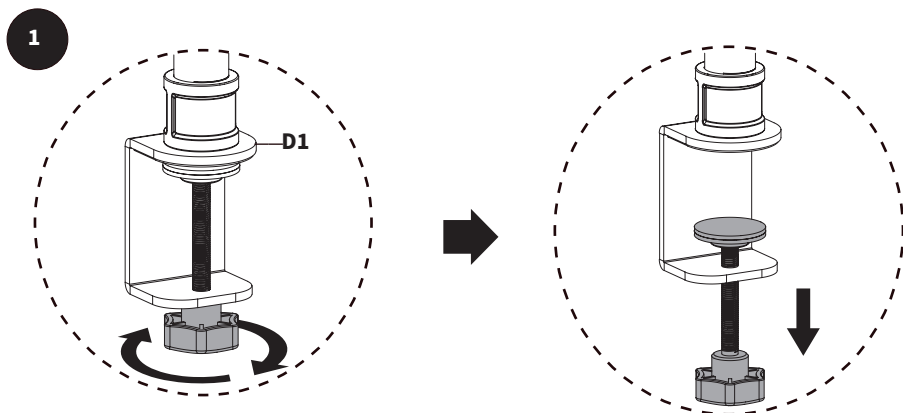
Place remaining Shelf (**C**) over threaded ends on Pipes with Clamp (**D**). Thread Pipes with Clamps onto Middle Pipes (**B**). Ensure Shelf is in-between both Pipes.



STEP 3

1: Loosen knobs on Clamps (**D1**) until the gap is slightly larger than the mounting surface.

NOTE: Desktop thickness range is 10mm to 50mm.



2: Use 5mm Allen Wrench (**T-A**) to loosen Clamps (**D1**) and rotate to the correct position shown in Fig. 2.

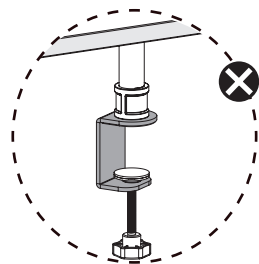
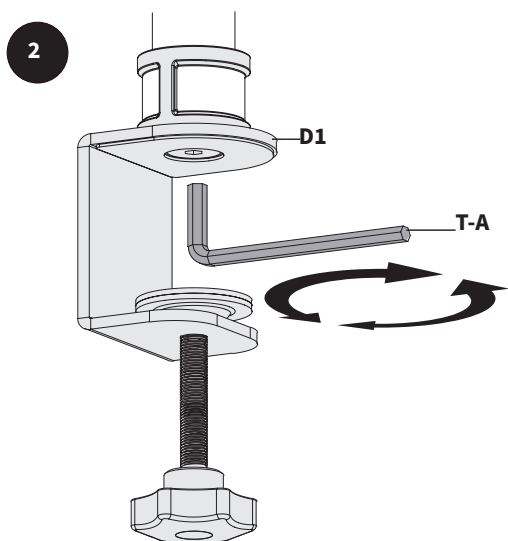


Fig.1 (Misaligned)

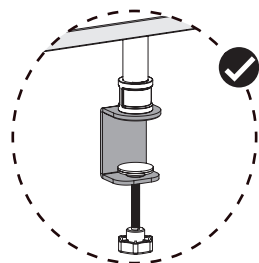


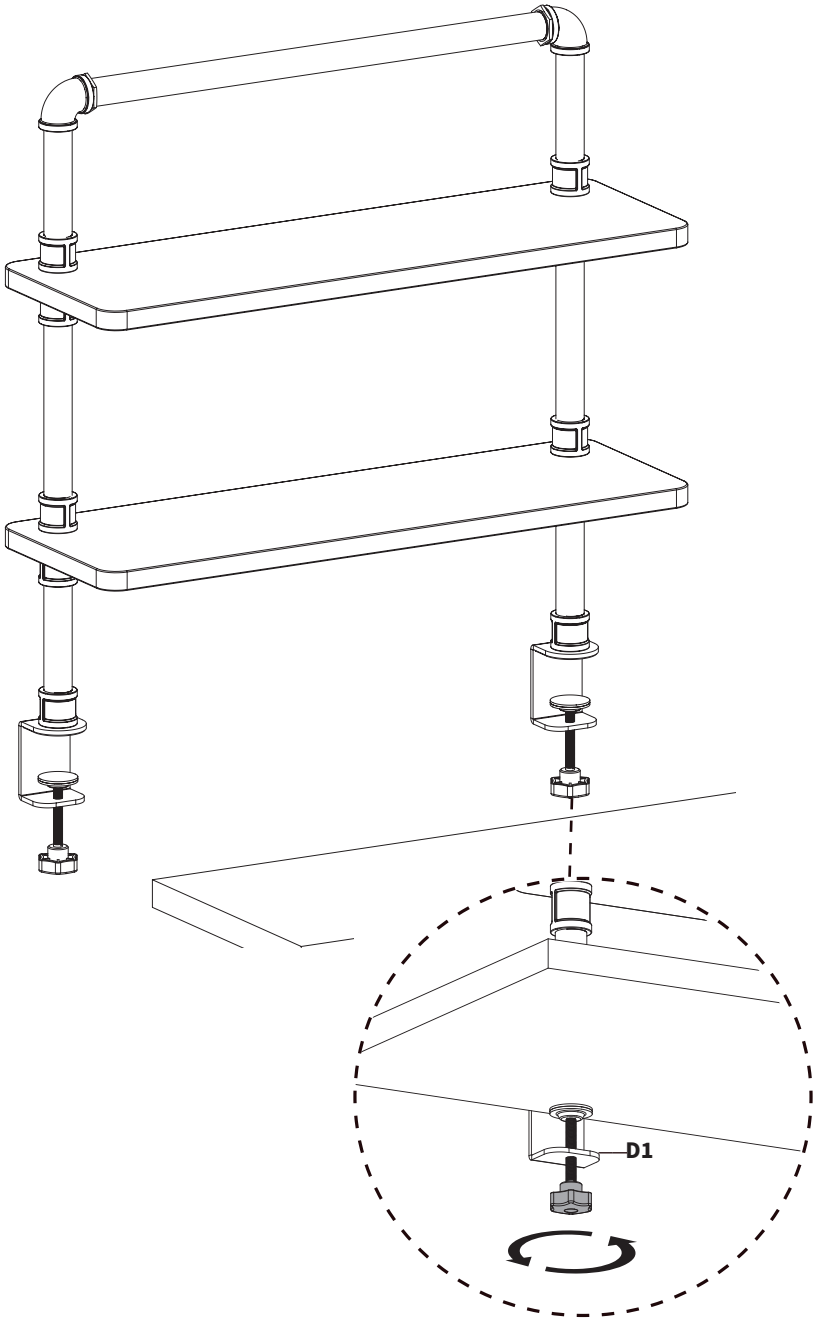
Fig.2 (Properly Aligned)

Rotate the Clamps (D1**) to the correct position as shown in Fig. 2**

STEP 3 - Cont'd

3: Place Clamps (**D1**) on the desk and tighten knobs to secure shelf assembly.

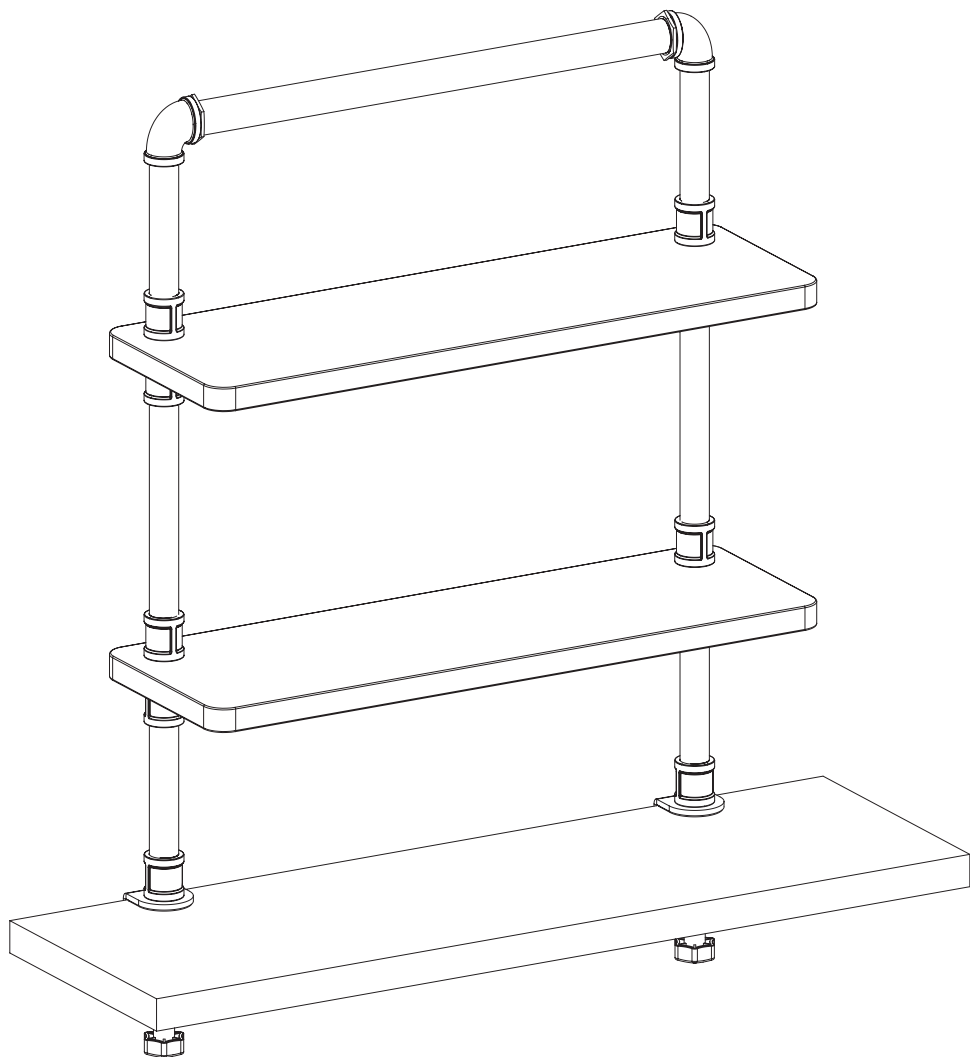
3



ASSEMBLY COMPLETE

Installation is now complete and your shelf is ready for use.

Each shelf can hold 33 lbs/15 kg for a combined 66 lbs/30 kg support.





Need Help? Get In Touch

Monday-Friday from 7:00am-7:00pm CST



help@vivo-us.com



www.vivo-us.com

Chat live with an agent!



309-278-5303



VIVO-us @vivo_us

FOR MORE GREAT VIVO PRODUCTS,
CHECK OUT OUR WEBSITE AT: WWW.VIVO-US.COM