

ASSEMBLY INSTRUCTIONS



ARMLESS CHAIR

REVISION 0 : 05/17/2019
REVISION 1 : 01 /09/2020
REVISION 2 : 03/13/2020

PAGE 1 OF 4

ASSEMBLY INSTRUCTIONS

Assembly Instruction

ASSEMBLY TIPS :

- 1.Remove hardware from box and sort by size.
- 2.Please check to see that all hardware and parts are present prior to start of assembly.
- 3.Please follow attached instructions in the same sequence as numbered to assure fast & easy assembly.

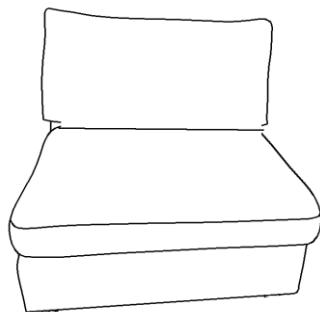


Warning !

- 1.Do not attempt to repair or modify parts that are broken or defective. Please contact the store immediately.
- 2.This product is for home use only and intended for commercial establishment.

PARTS IDENTIFICATION

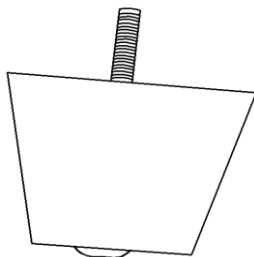
A



CHAIR

1PC

B



LEG

4PCS

C

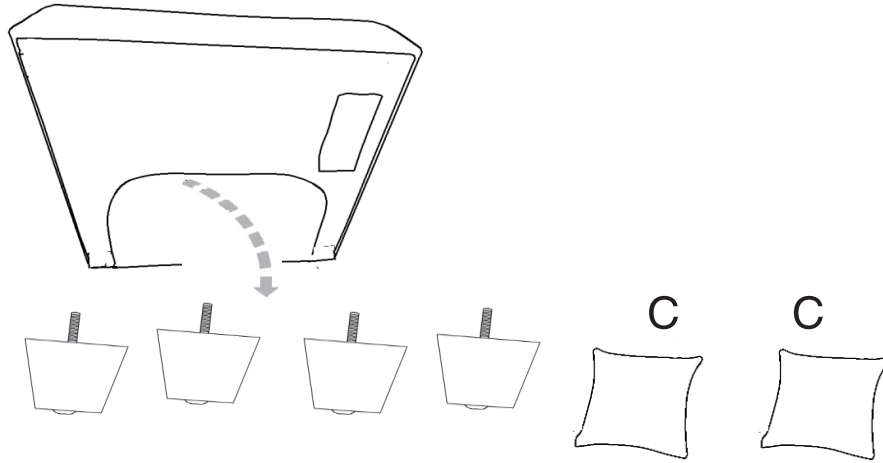


PILLOW

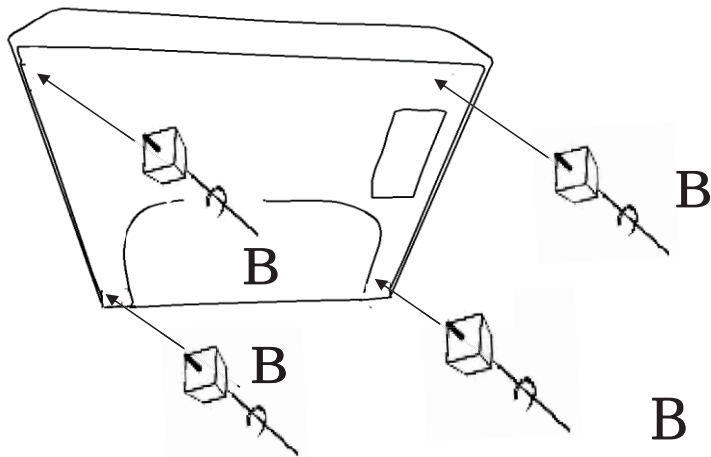
2PCS

ASSEMBLY INSTRUCTIONS

STEP 1

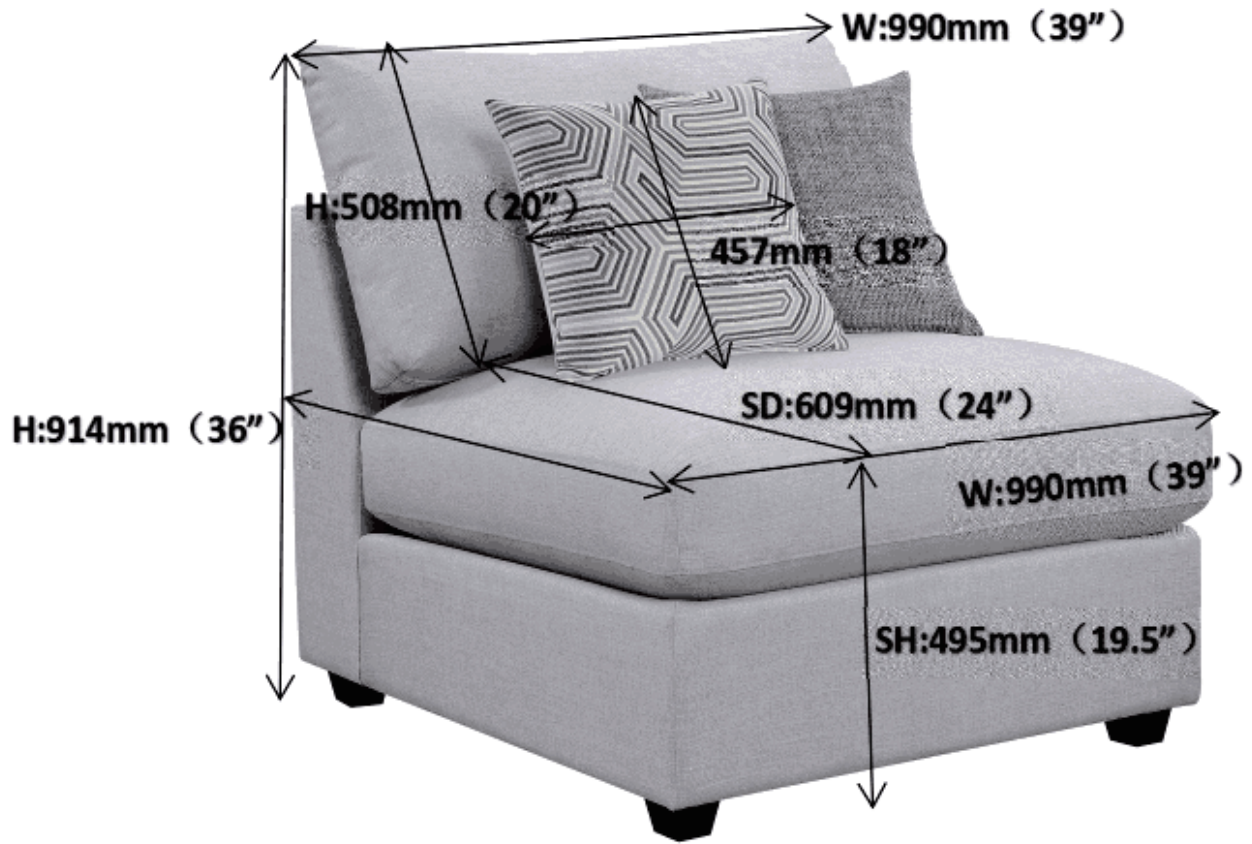


STEP 2



STEP 3





Note : Dimension tolerance $\pm 5\%$

ASSEMBLY INSTRUCTIONS



CORNER

REVISION 0 : 05/17/2019

REVISION 1 : 01/09/2020

REVISION 2 : 03/13/2020

PAGE 1 OF 4

ASSEMBLY INSTRUCTIONS

Assembly Instruction

ASSEMBLY TIPS :

1. Remove hardware from box and sort by size.
2. Please check to see that all hardware and parts are present prior to start of assembly.
3. Please follow attached instructions in the same sequence as numbered to assure fast & easy assembly.

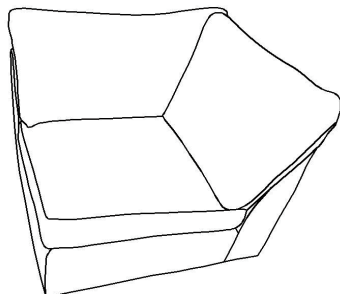


Warning !

1. Do not attempt to repair or modify parts that are broken or defective. Please contact the store immediately.
2. This product is for home use only and intended for commercial establishment.

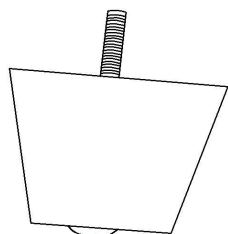
PARTS IDENTIFICATION

A



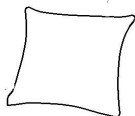
CORNER 1PC

B



LEG 4PCS

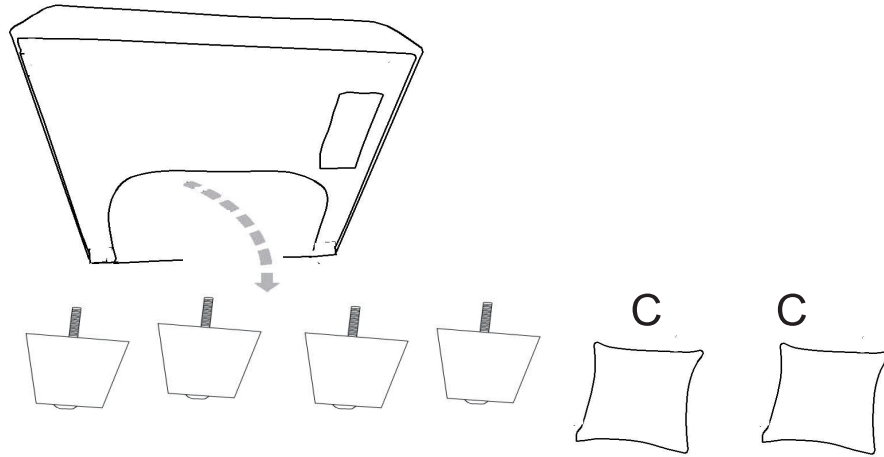
C



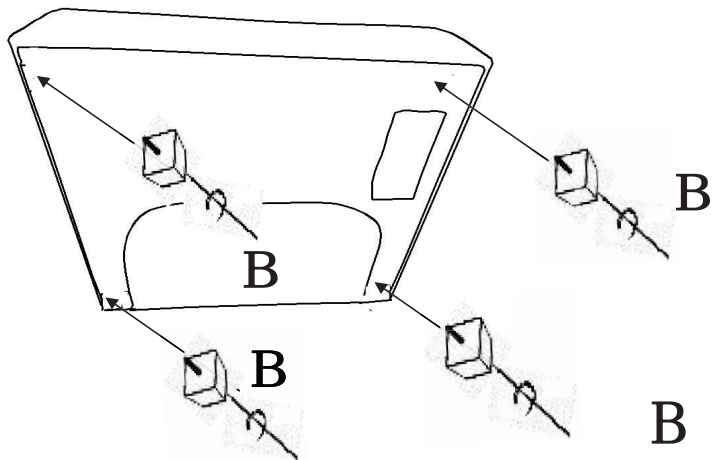
PILLOW 2PCS

ASSEMBLY INSTRUCTIONS

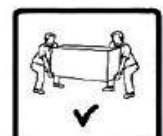
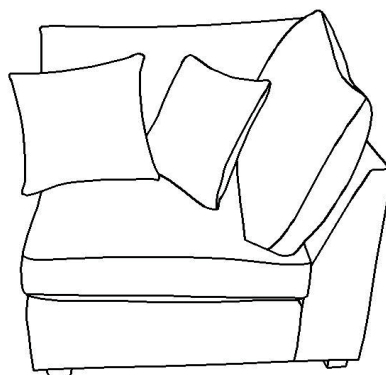
STEP 1

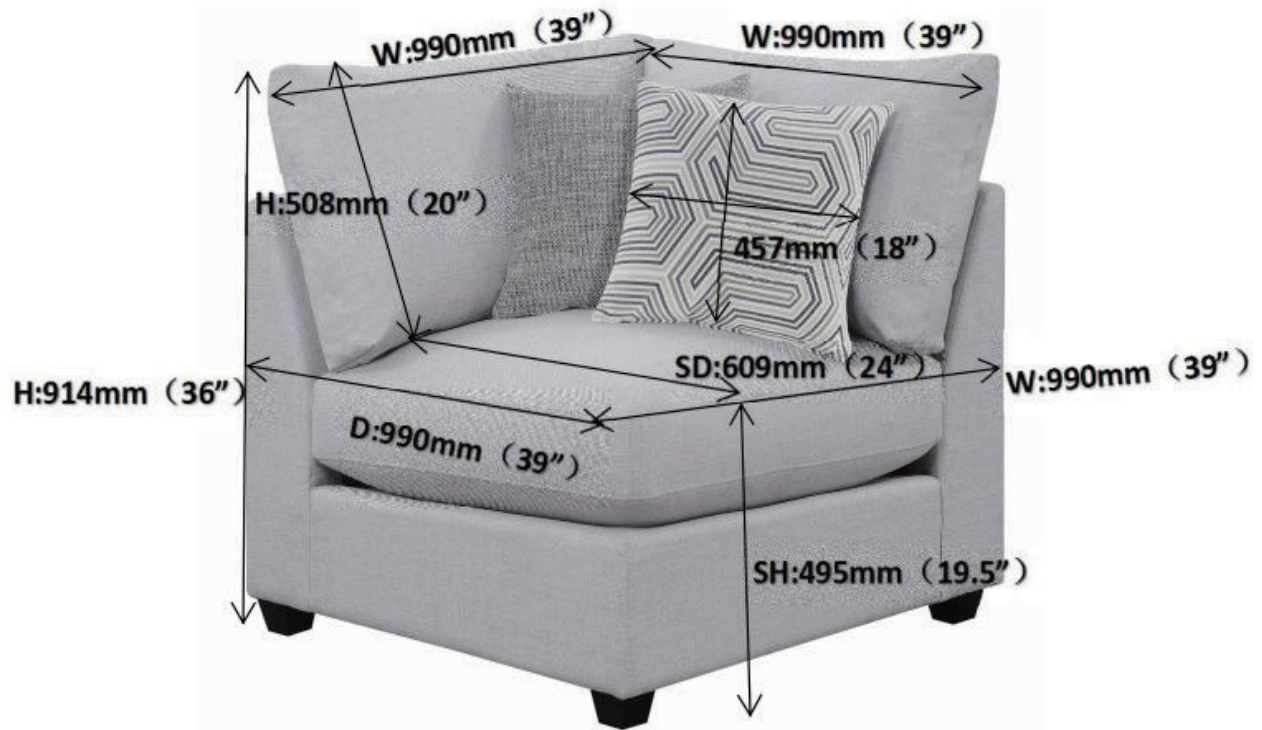


STEP 2



STEP 3





Note : Dimension tolerance $\pm 5\%$

ASSEMBLY INSTRUCTIONS



STORAGE OTTOMAM

ASSEMBLY INSTRUCTIONS

Assembly Instruction

ASSEMBLY TIPS :

- 1.Remove hardware from box and sort by size.
- 2.Please check to see that all hardware and parts are present prior to start of assembly.
- 3.Please follow attached instructions in the same sequence as numbered to assure fast & easy assembly.

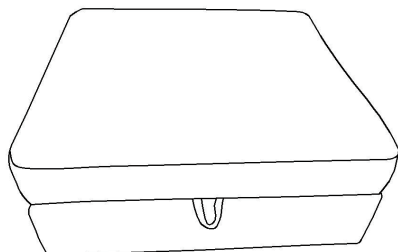


Warning !

- 1.Do not attempt to repair or modify parts that are broken or defective. Please contact the store immediately.
- 2.This product is for home use only and intended for commercial establishment.

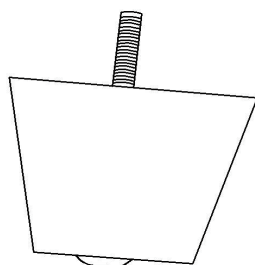
PARTS IDENTIFICATION

A



OTTOMA 1PC

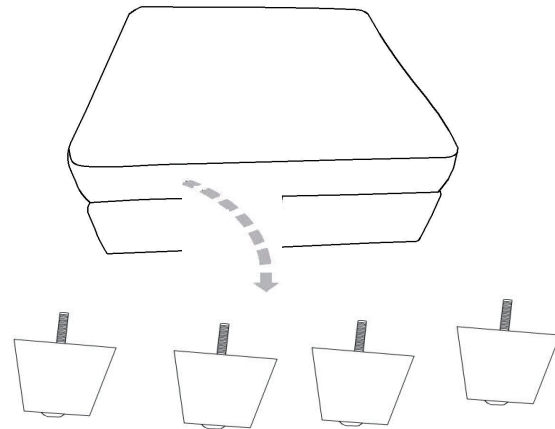
B



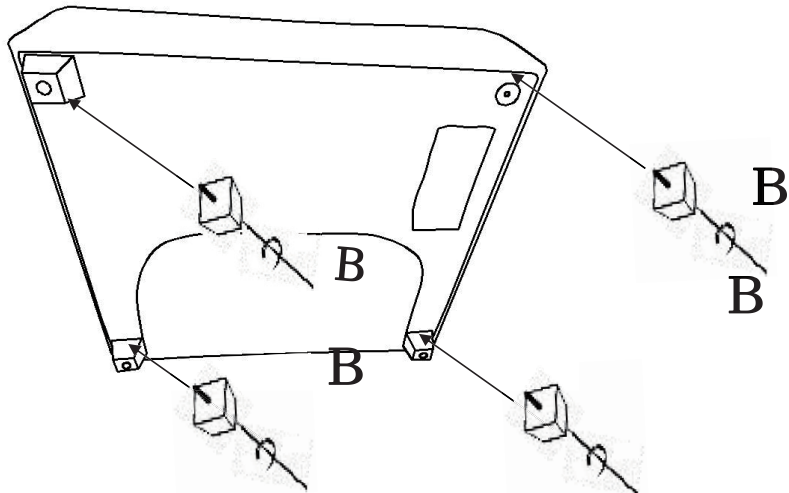
LEG 4PCS

ASSEMBLY INSTRUCTIONS

STEP 1



STEP 2



STEP 3

