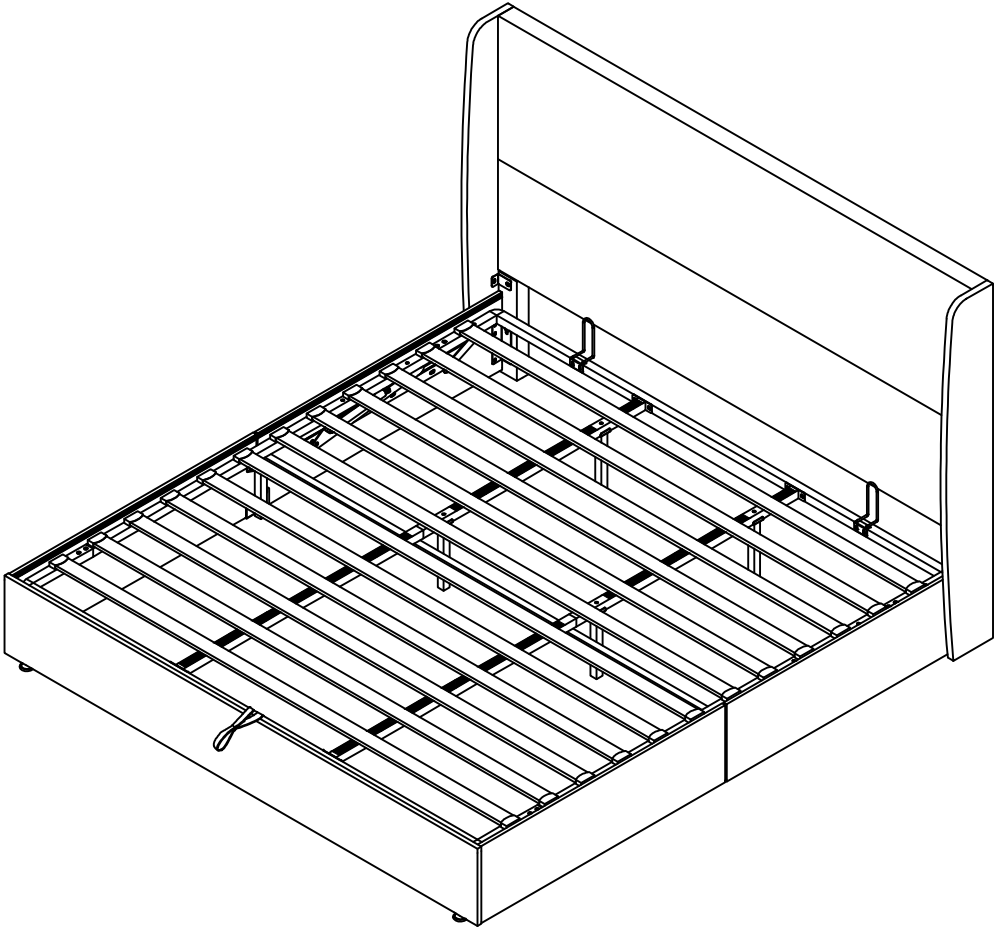


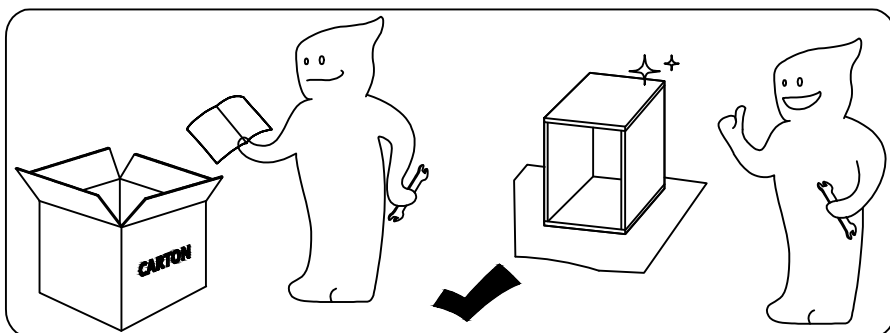
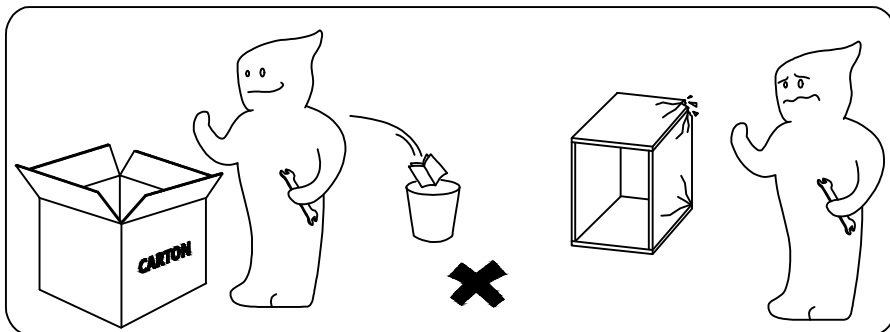
Upholstered Platform Bed with Tufted Wingback Headboard.



Dear Customers,
Thank you for purchasing our product. Please read this instruction manual carefully after receiving this product. It will help you assemble this product quickly, safely and correctly. You can keep this manual for future reference.

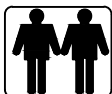
! IMPORTANT

Please follow the instruction manuals and use a pad to protect the product during your assembly.

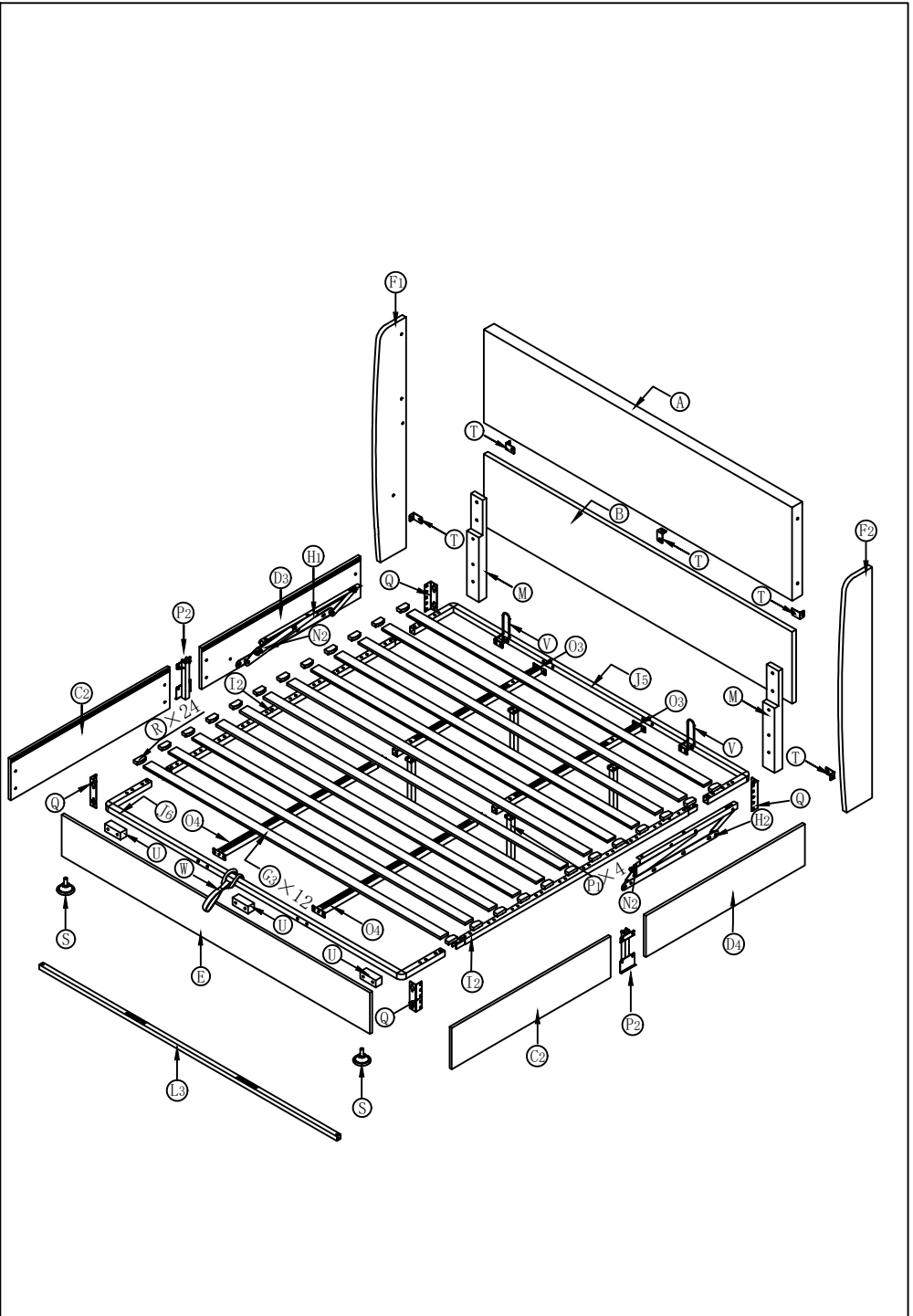


Note:

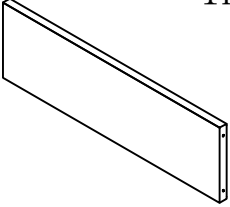
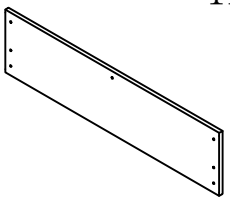
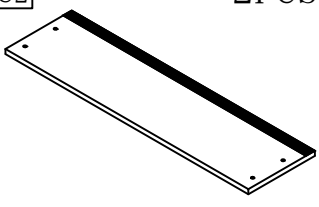
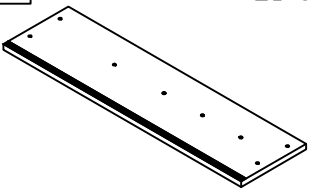
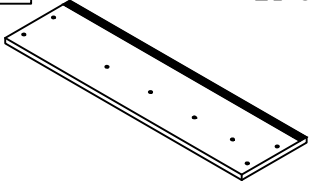
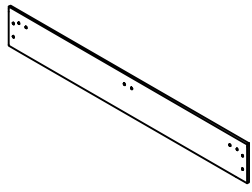


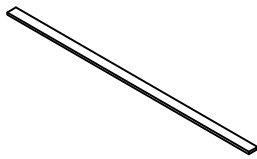
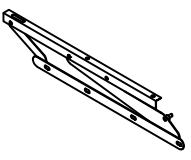
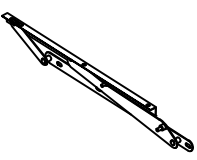
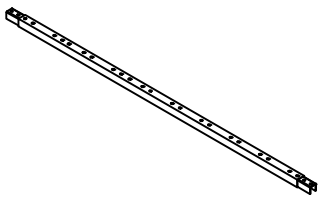
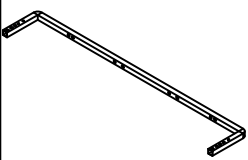
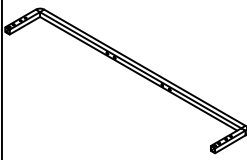
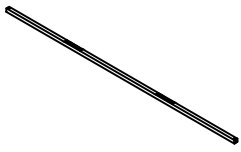

1. Should be assembled on flat ground to keep balance.
2. Before completing the installation, do not tighten the screws.



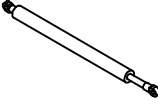
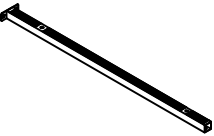
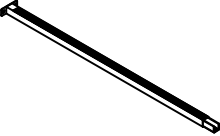
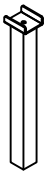

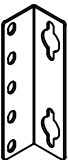
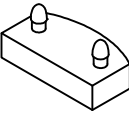
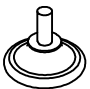
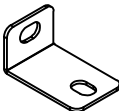
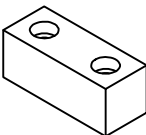


For easier and better assembly, 2 or more adults are required.



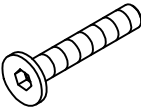
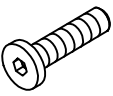
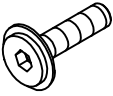
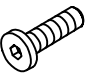
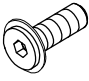



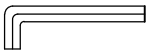
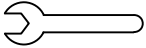
Part List

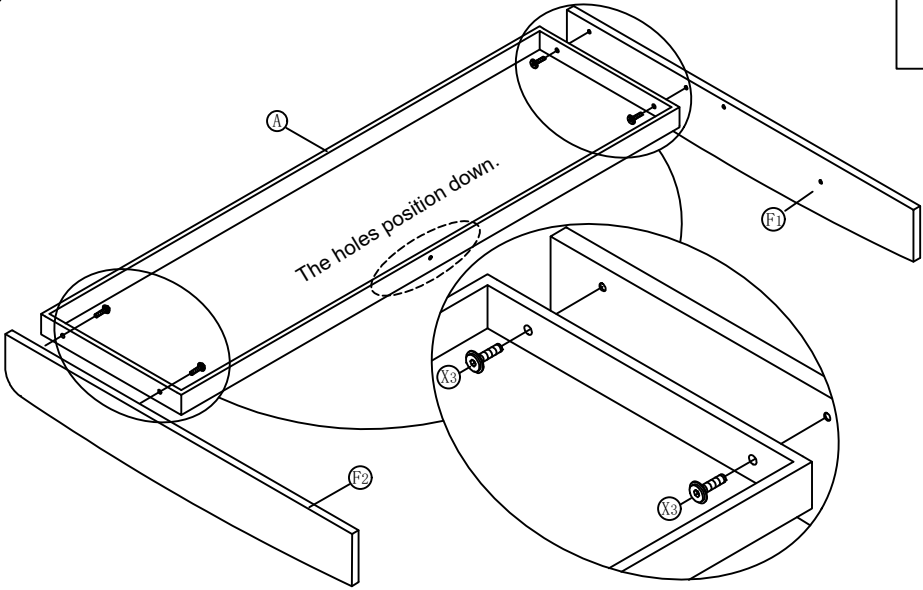
<p>A 1PC</p>  <p>Top headboard</p>	<p>B 1PC</p>  <p>Bottom headboard</p>	<p>C2 2PCS</p>  <p>Rear bed side</p>	
<p>D3 1PC</p>  <p>Left front bed side</p>	<p>D4 1PC</p>  <p>Right front bed side</p>	<p>E 1PC</p>  <p>Footboard</p>	
<p>F1 1PC</p>  <p>Left wing</p>	<p>F2 1PC</p>  <p>Right wing</p>	<p>G3 12PCS</p>  <p>Slat</p>	
<p>H1 1PC</p>  <p>Left lift frame</p>	<p>H2 1PC</p>  <p>Right lift frame</p>	<p>I2 2PCS</p>  <p>Cross bar</p>	
<p>J5 1PC</p> 	<p>J6 1PC</p> 	<p>L3 1PC</p>  <p>Cross bar</p>	<p>M 2PCS</p> 

Part List

N2	2PCS	O3	2PCS	O4	2PCS	P1	4PCS
							
Hydraulic rod		Front Middle support bar		Rear middle support bar		Support leg	
P2	2PCS	Q	4PCS	R	24PCS	S	2PCS
							
		Connector				Leg	
T	5PCS	U	3PCS	V	2PCS	W	1PC
							
Connector							

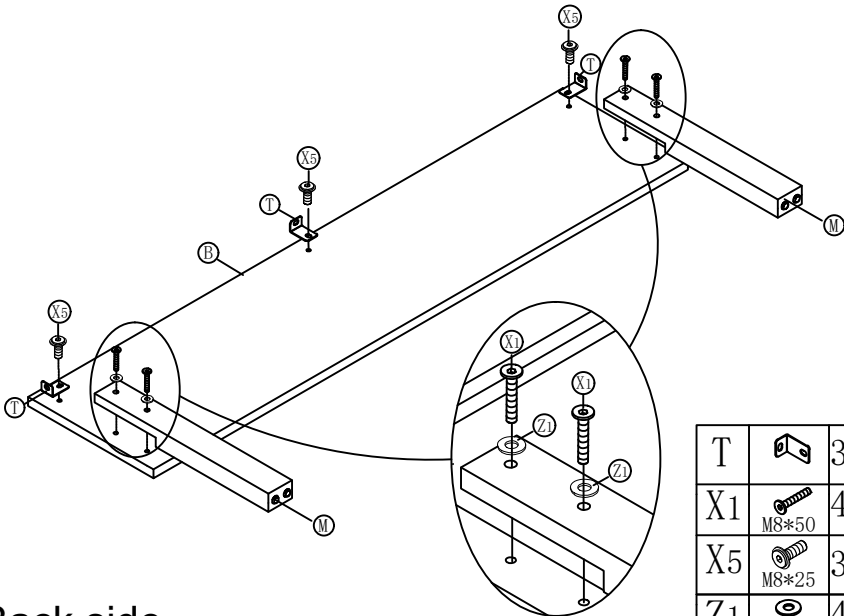
Hardware List

X1	4PCS	X2	12PCS	X3	10PCS	X4	12PCS	X5	13PCS
									
M8*50mm		M8*45mm		M8*40mm		M8*30mm		M8*25mm	
X6	41PCS	Y	10PCS	Z1	4PCS	Z2	1PC	Z3	1PC
									
M8*14mm		M8		∅22*∅8.5		M8 Spanner		M8 Spanner	


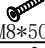
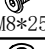
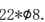
1

Back side

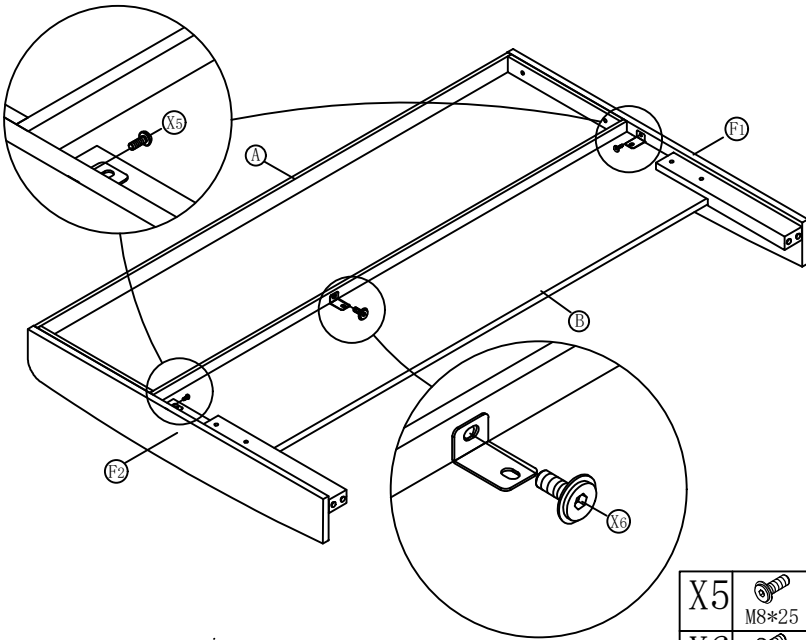
X3		4PCS
M8*40		

2



Back side

T		3PCS
X1		4PCS
M8*50		
X5		3PCS
M8*25		
Z1		4PCS
$\phi 22 * \phi 8.5$		

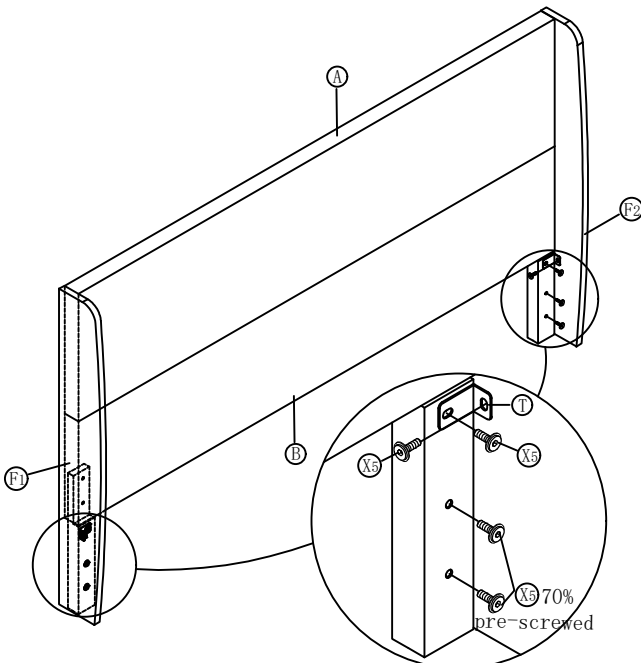
3




Back side

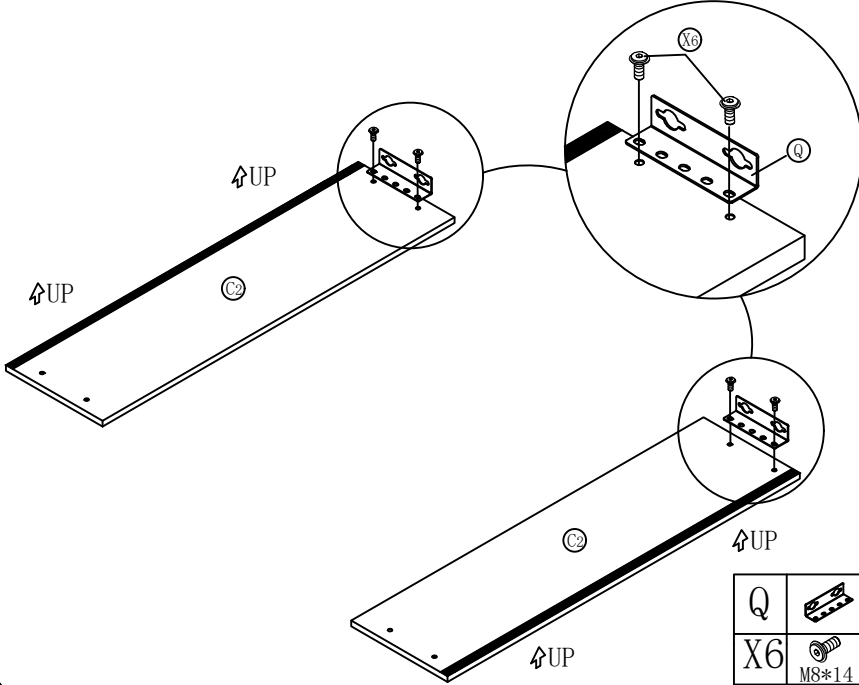
X5		2PCS
	M8*25	
X6		1PC
	M8*14	

4



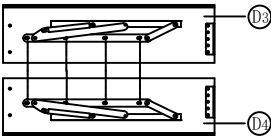
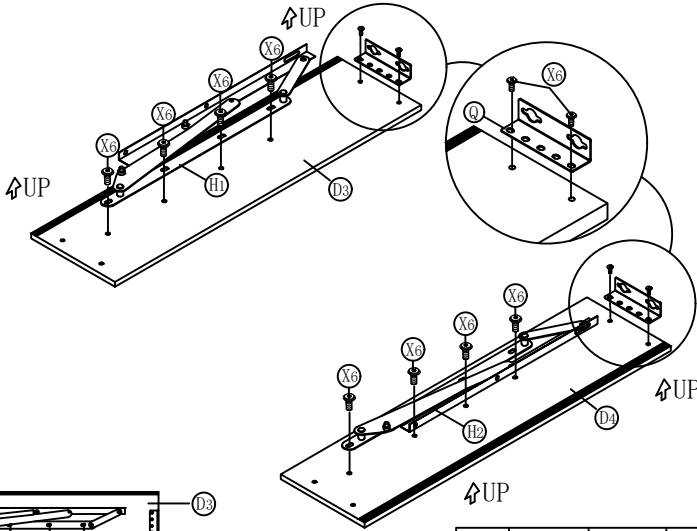
T		2PCS
X5		8PCS
	M8*25	

5



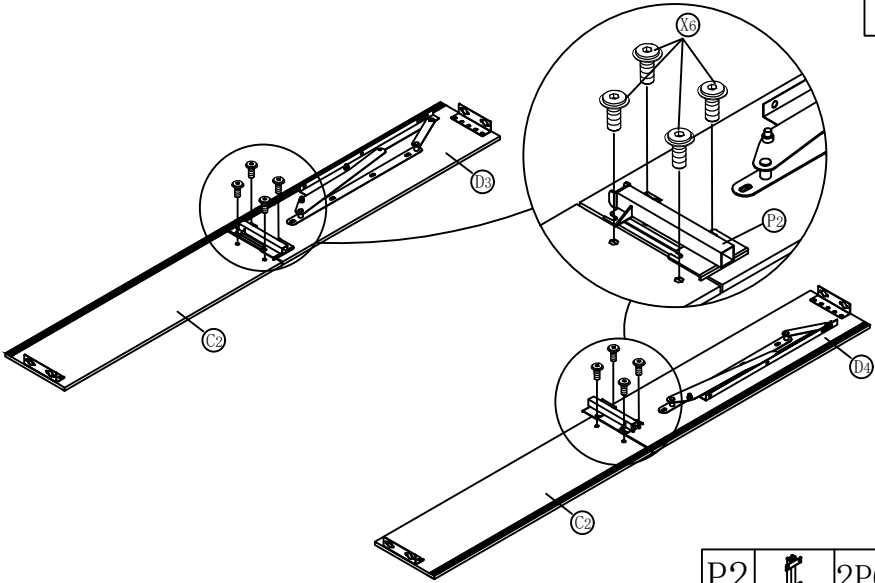
Q		2PCS
X6		4PCS


6



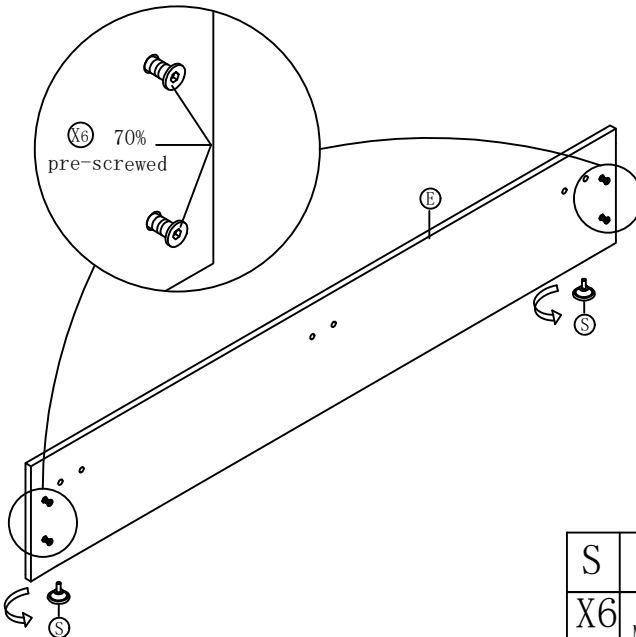
H1		1PC	Q		2PCS
H2		1PC	X6		12PCS



7



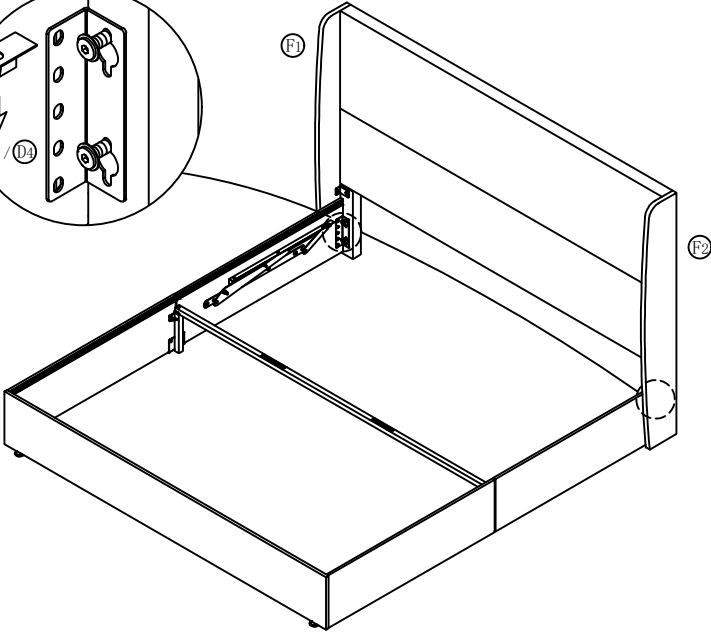
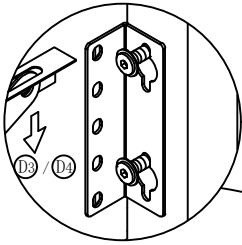
P2		2PCS
X6		8PCS

8

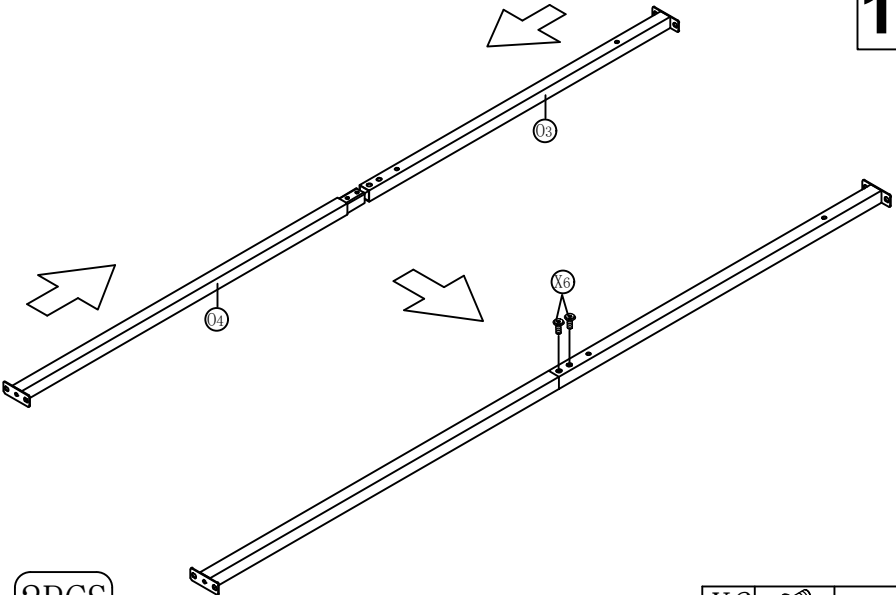


S		2PCS
X6		4PCS

11



12

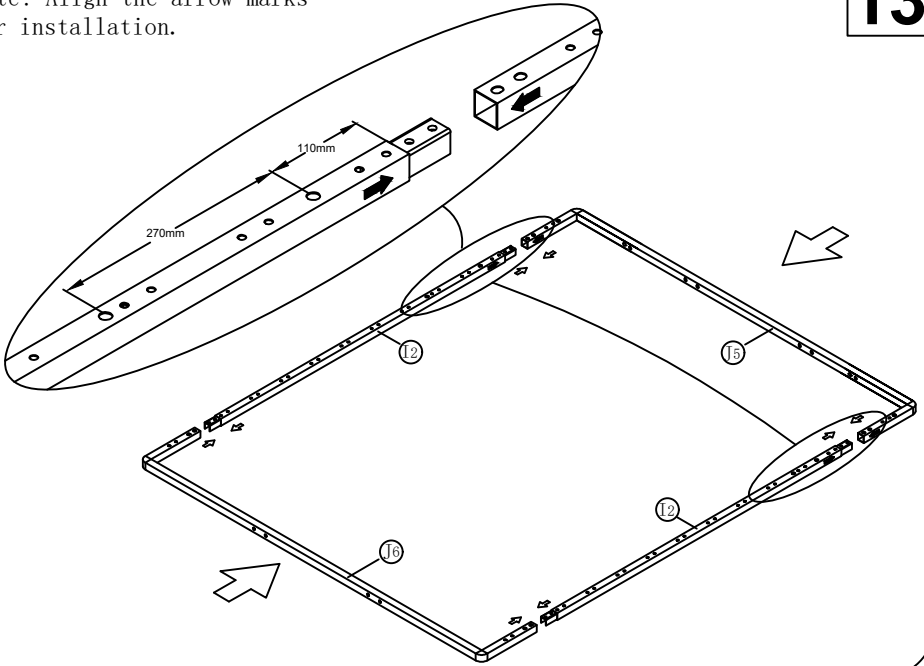
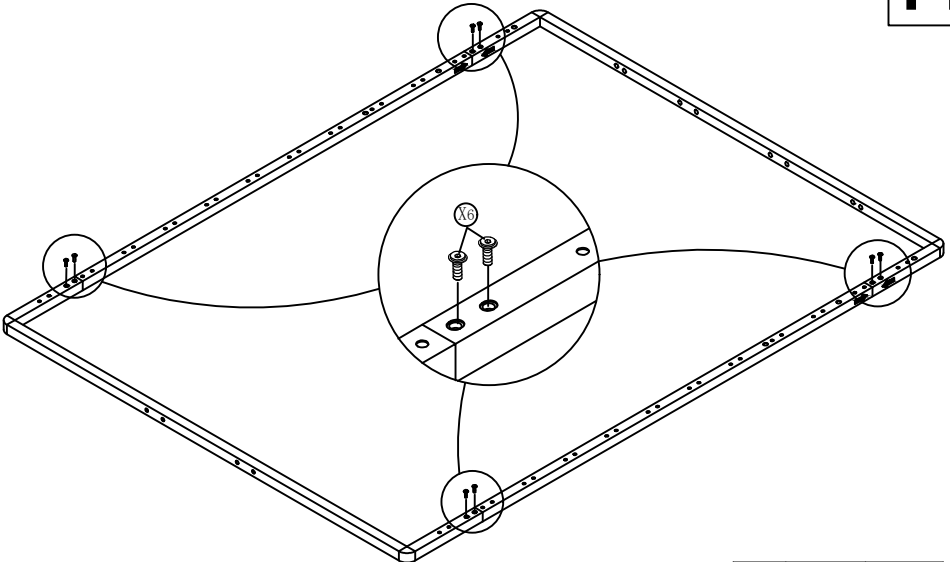


2PCS

X6  4PCS
M8*14

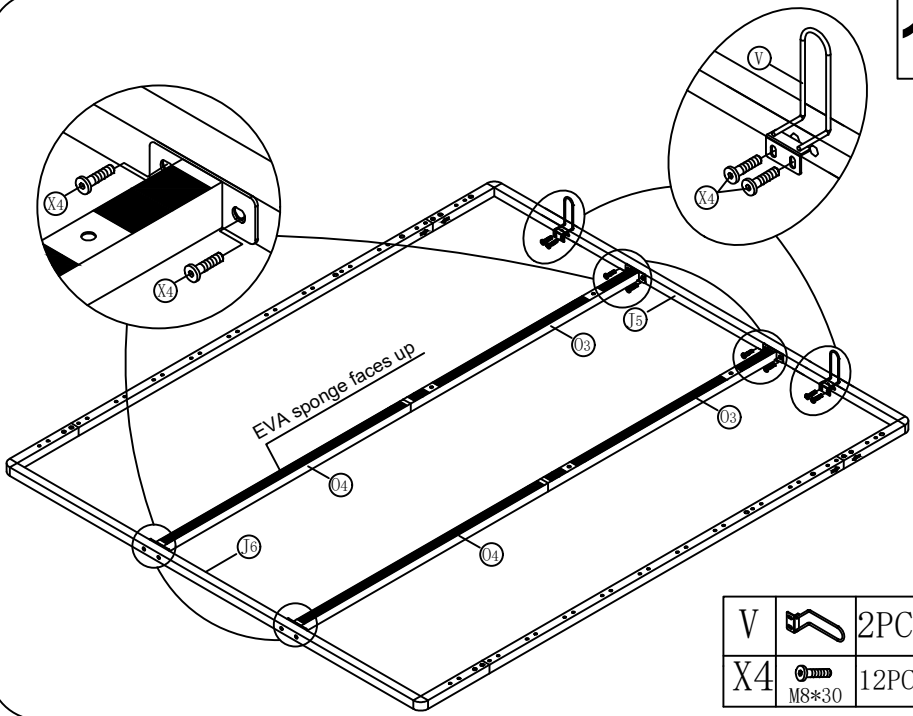
13

Note: Align the arrow marks
for installation.

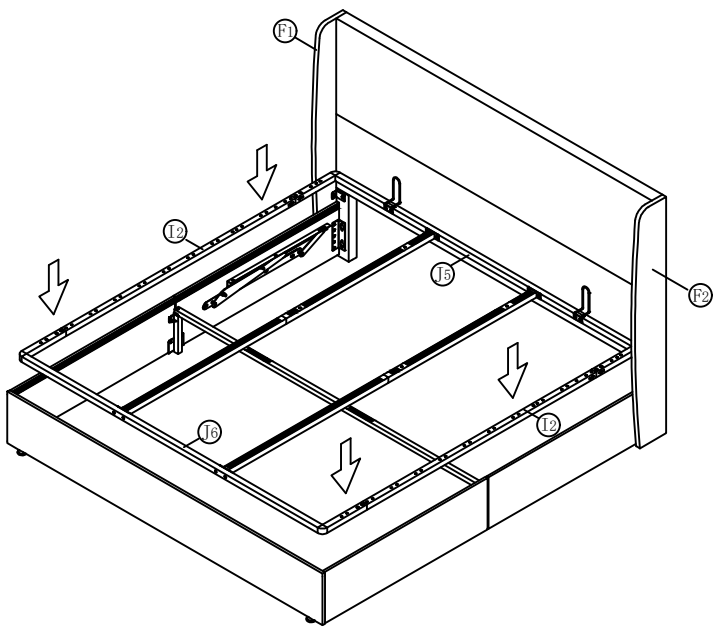
**14**

X6		8PCS
	M8*14	

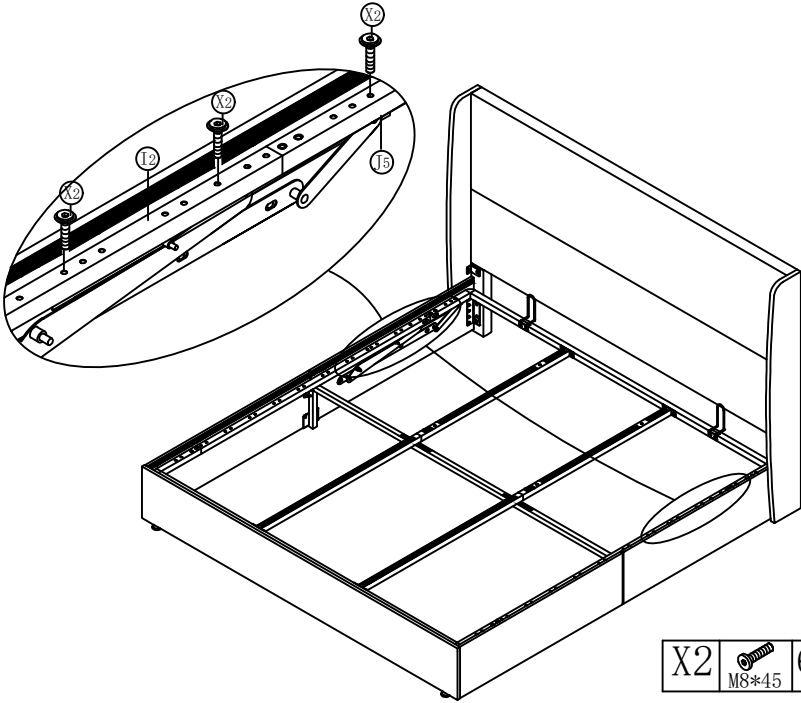
15



16

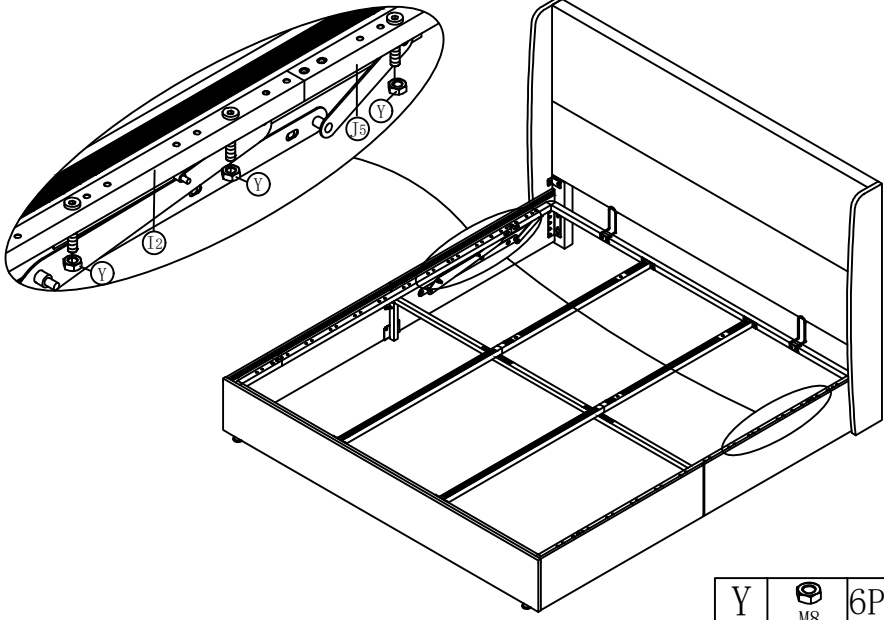



17



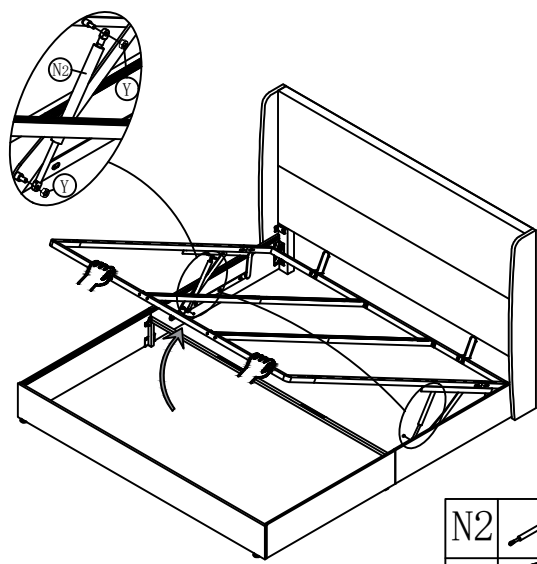
X2		6PCS
	M8*45	


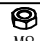
18



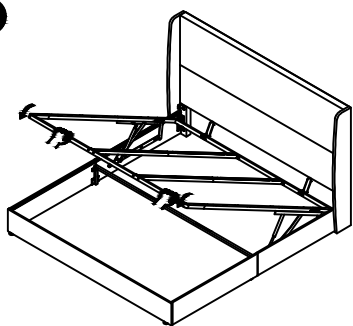
Y		6PCS
	M8	

Tips: If only one person installs the Hydraulic rod, one hand to hold the I2 up and the another put the N2 on the right position as shown in the figure. After installing the N2, tighten the screws.

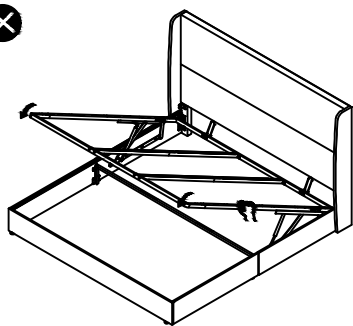


N2		2PCS
Y	 M8	4PCS

Note: 1. It requires extra force to push down when there is no mattress placed on it.
 2. The hydraulic struts only function when mounted on the bed frame and cannot be actuated independently.

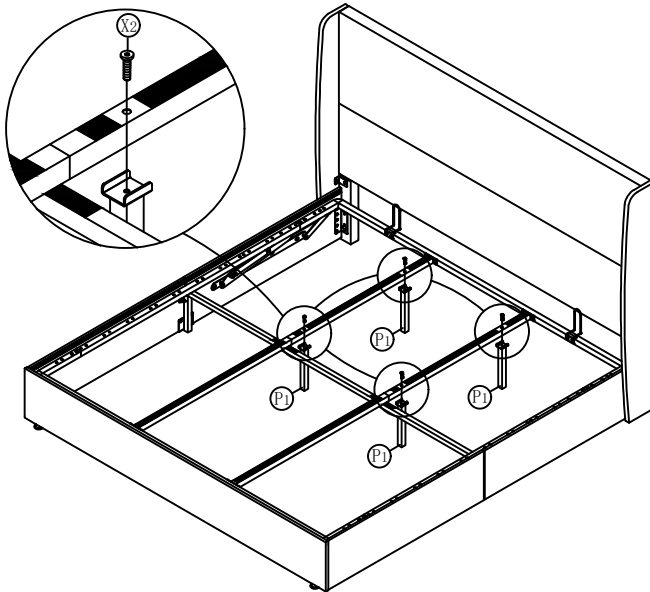


Operate from the foot of the bed



To avoid deformation of the metal frame, do not operate from the sides of the bed.

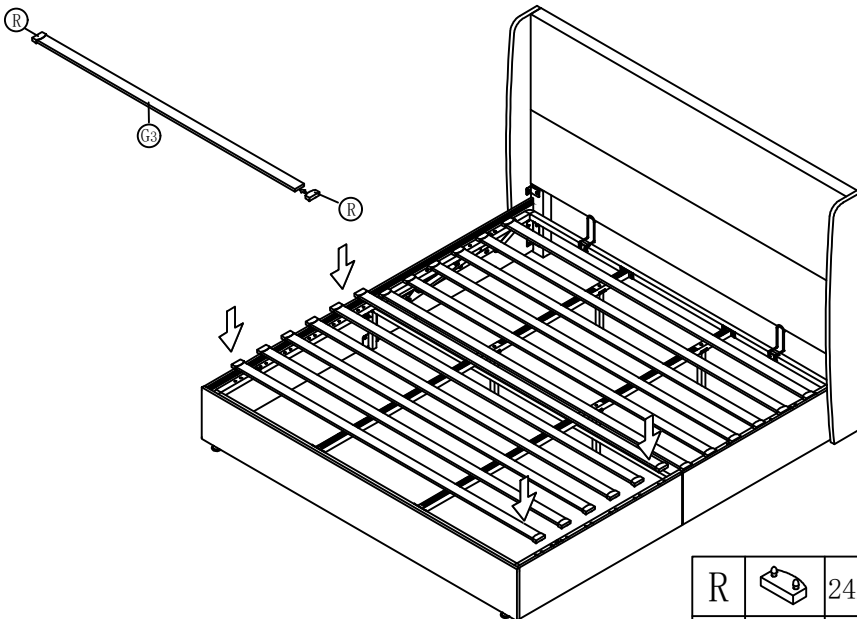
20





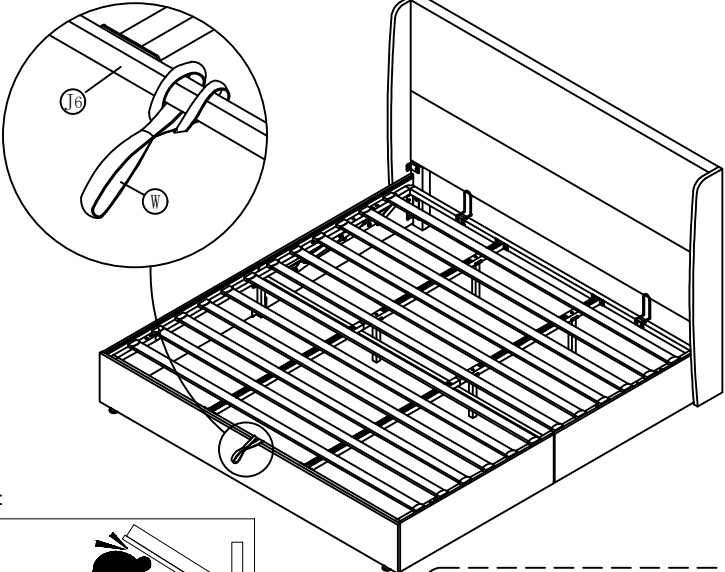
Lock all the screws.

X2		4PCS
	M8*45	

21



R		24PCS
G3		12PCS



Warning Label:



Installation Complete

