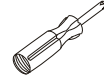


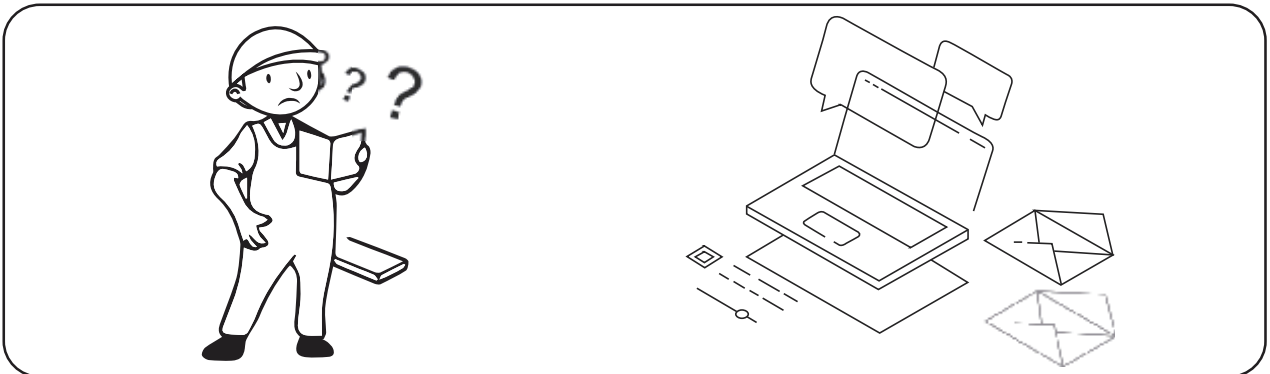
INSTALLATION MANUAL



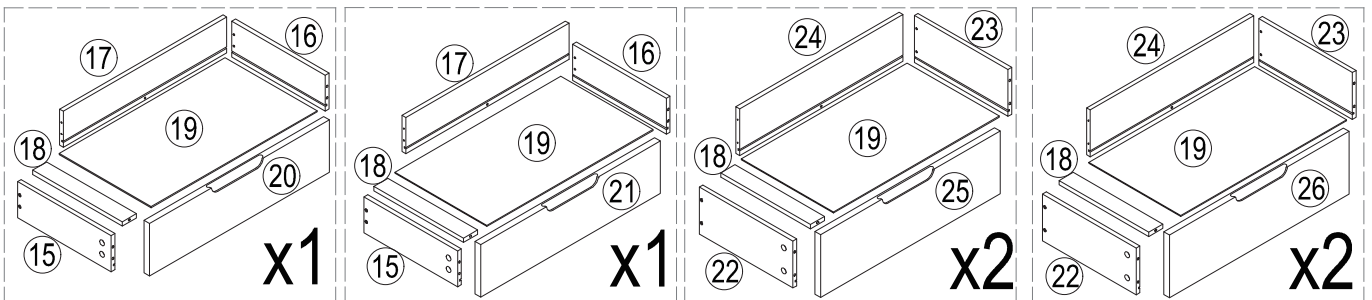
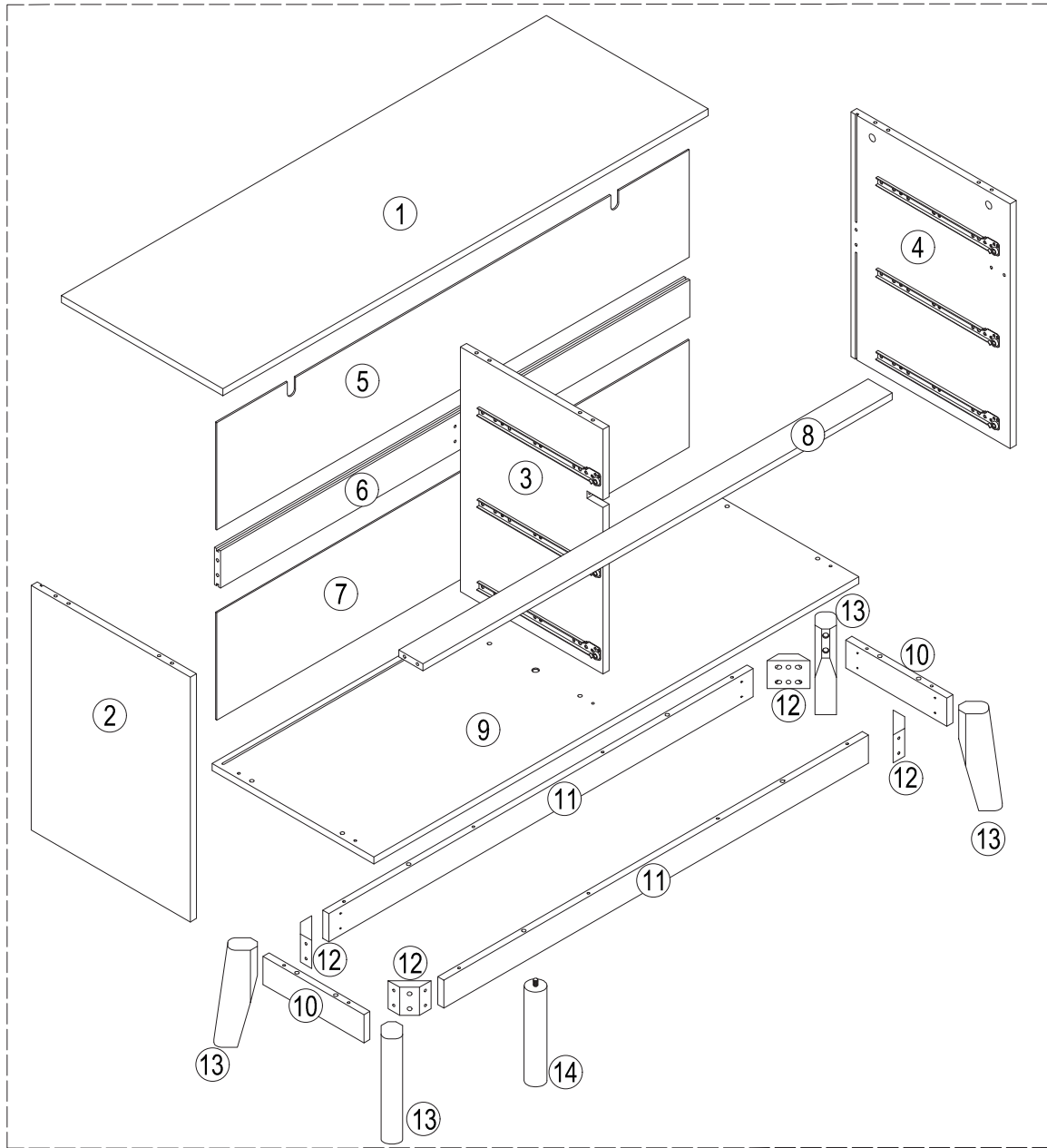
* Guests need to prepare their own :

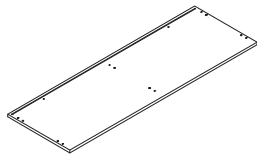


Phillips screwdriver

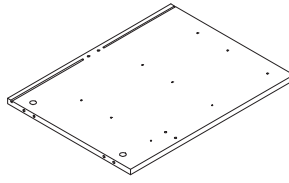


PARTS

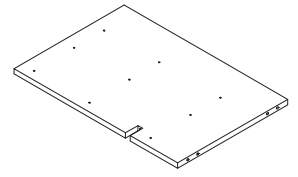




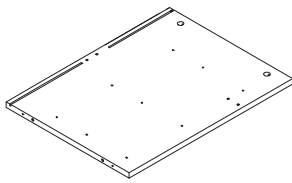
① x 1PCS



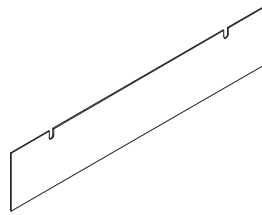
② x 1PCS



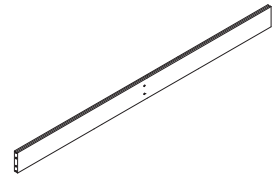
③ x 1PCS



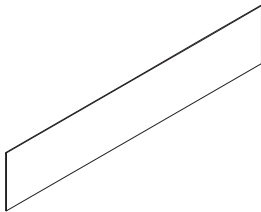
④ x 1PCS



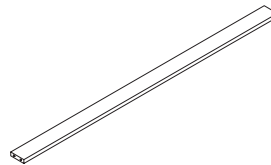
⑤ x 1PCS



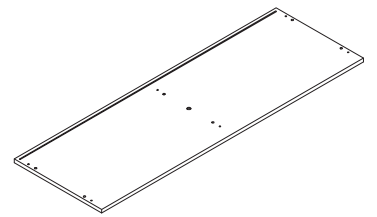
⑥ x 1PCS



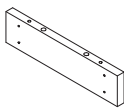
⑦ x 1PCS



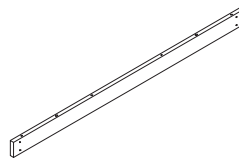
⑧ x 1PCS



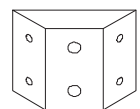
⑨ x 1PCS



⑩ x 2PCS



⑪ x 2PCS



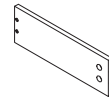
⑫ x 4PCS



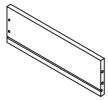
⑬ x 4PCS



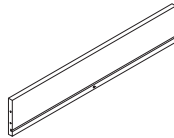
⑭ x 1PCS



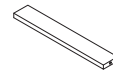
⑮ x 2PCS



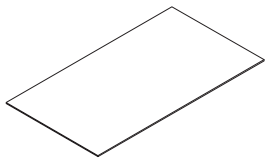
⑯ x 2PCS



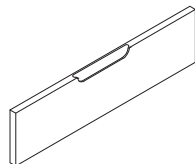
⑰ x 2PCS



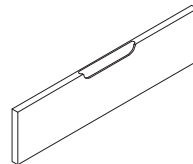
⑱ x 6PCS



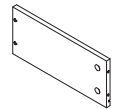
⑲ x 6PCS



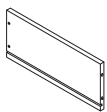
⑳ x 1PCS



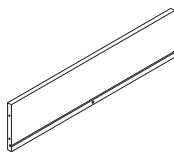
㉑ x 1PCS



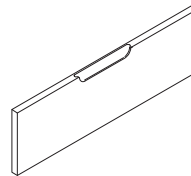
㉒ x 4PCS



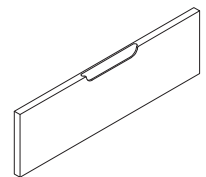
㉓ x 4PCS



㉔ x 4PCS



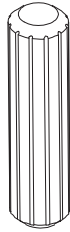
㉕ x 2PCS



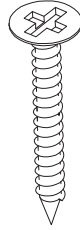
㉖ x 2PCS



M6 x 35
A x 45 (+5)



Ø8 x 30
B x 20 (+3)



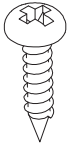
M4 x 35
C x 40 (+4)



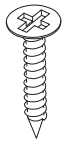
M3.5 x 14
D x 72 (+5)



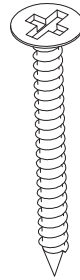
M3 x 14
E x 8 (+1)



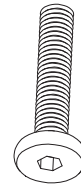
M4 x 14
F x 2



M3.5 x 20
G x 16(+2)

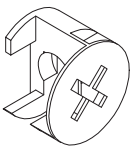


M4 x 50
H x 12(+2)

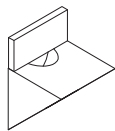


M6 x 50
I x 8 (+1)

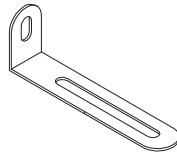
Scale 1 : 1



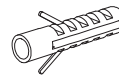
J x 45 (+5)



K x 8 (+1)



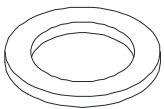
L x 2



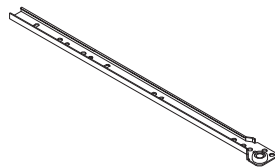
M x 2



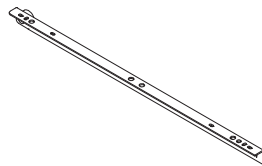
M4
N x 1



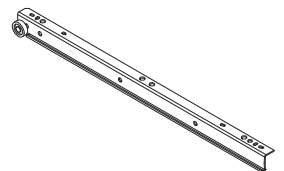
O x 8(+1)



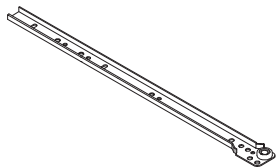
L = 300mm
CR x 6



L = 300mm
DL x 6


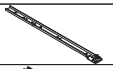



L = 300mm
DR x 6

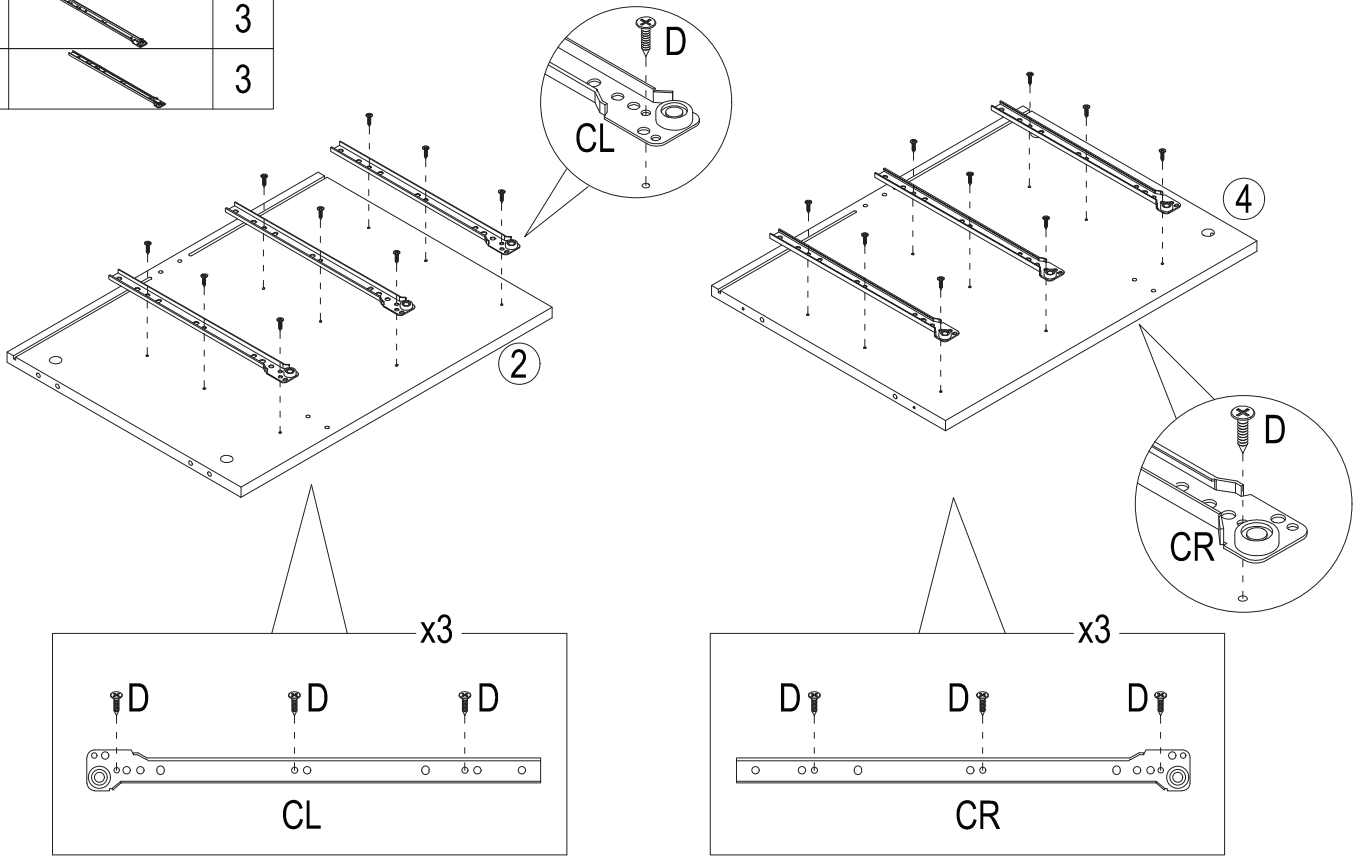


L = 300mm
CL x 6

Note: Some screws include extra pieces for your convenience. Please keep them in case of future use.

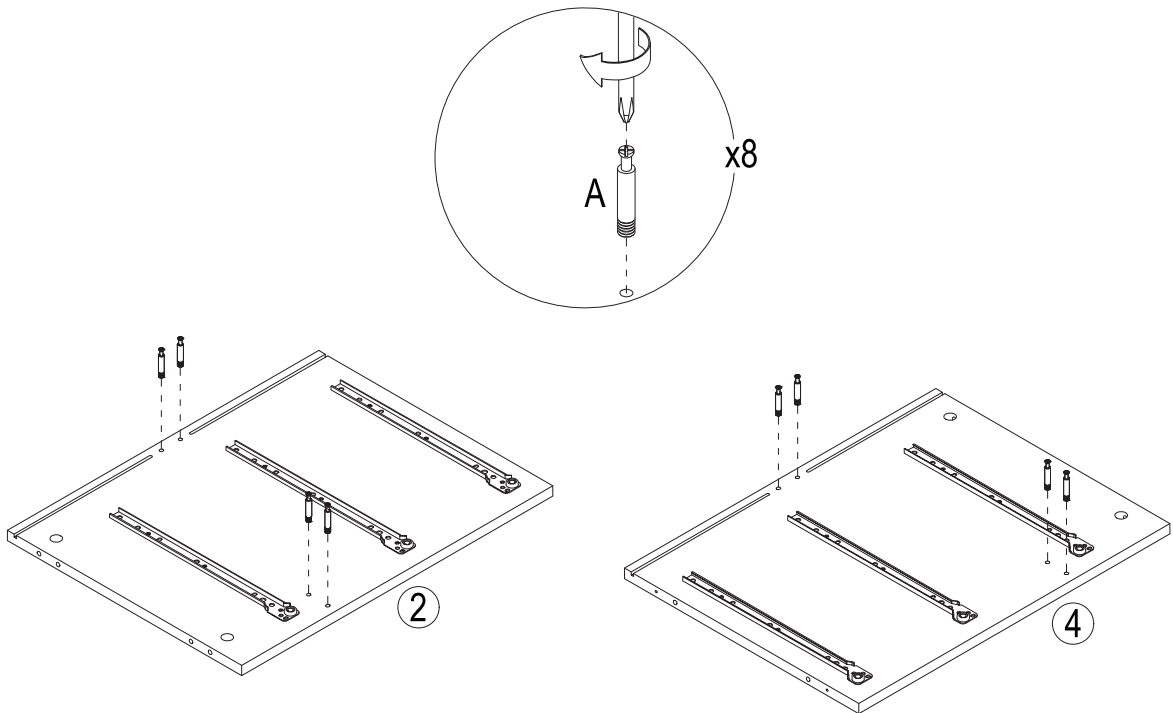
D		18
CL		3
CR		3


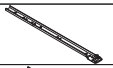

1

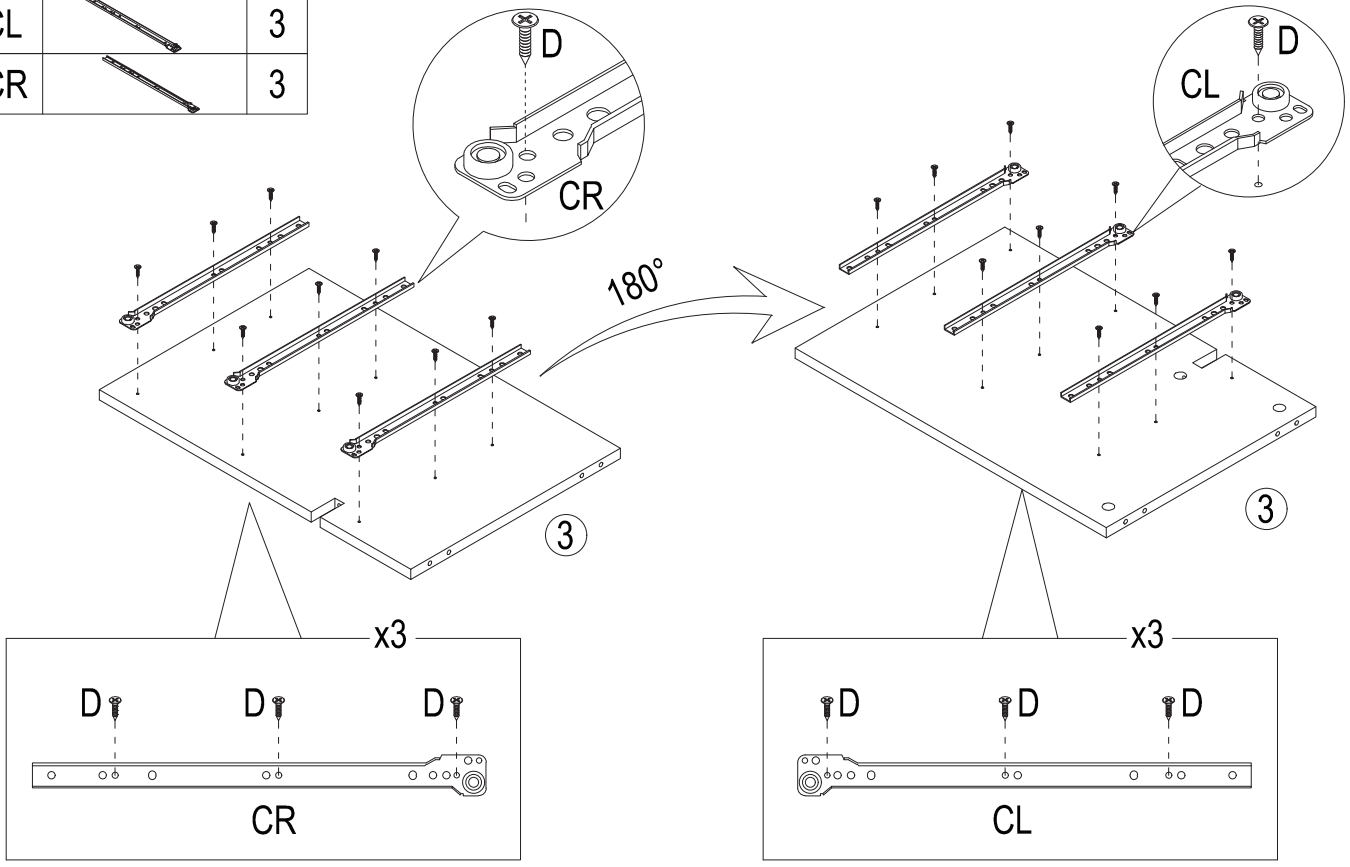


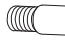


A		8
---	---	---

2

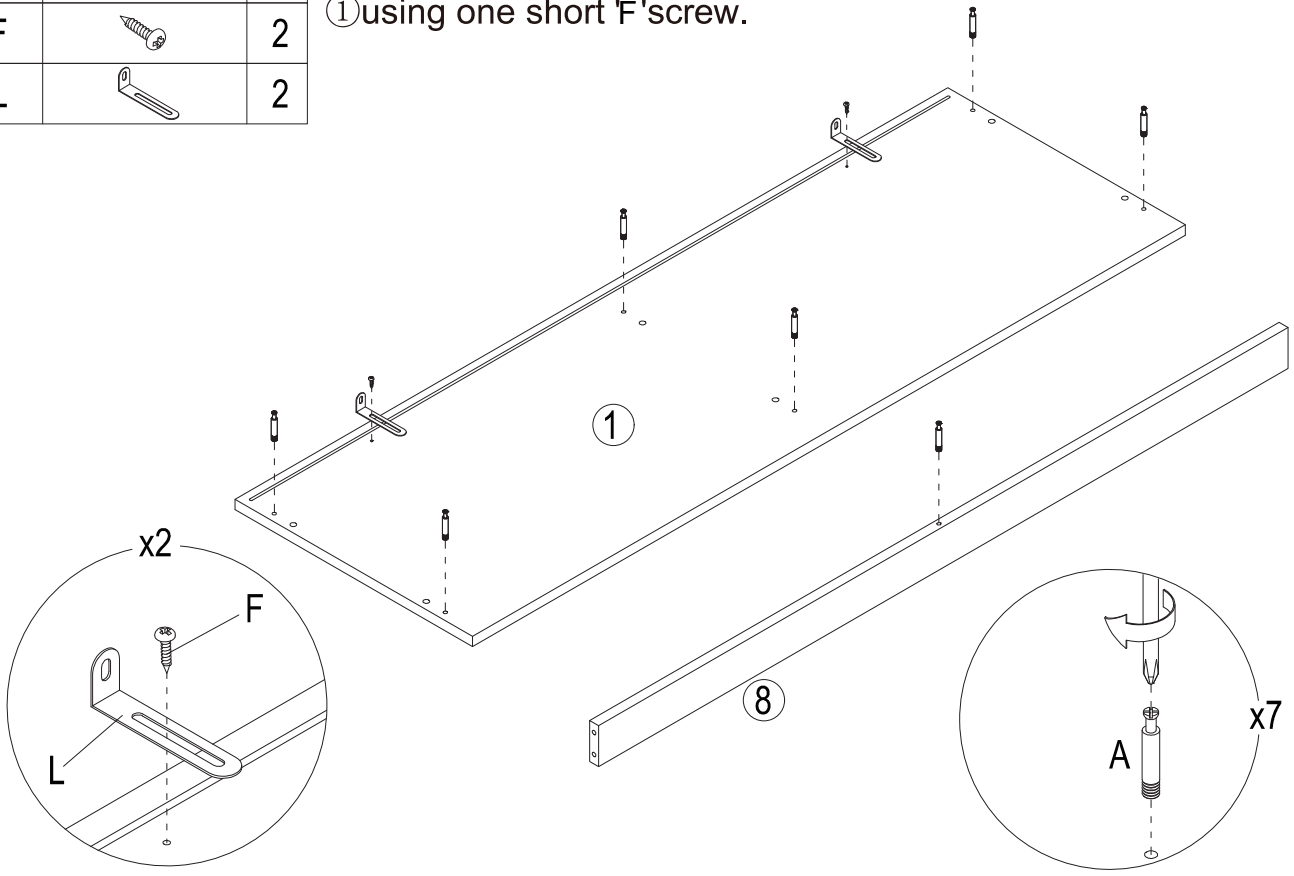



D		18
CL		3
CR		3



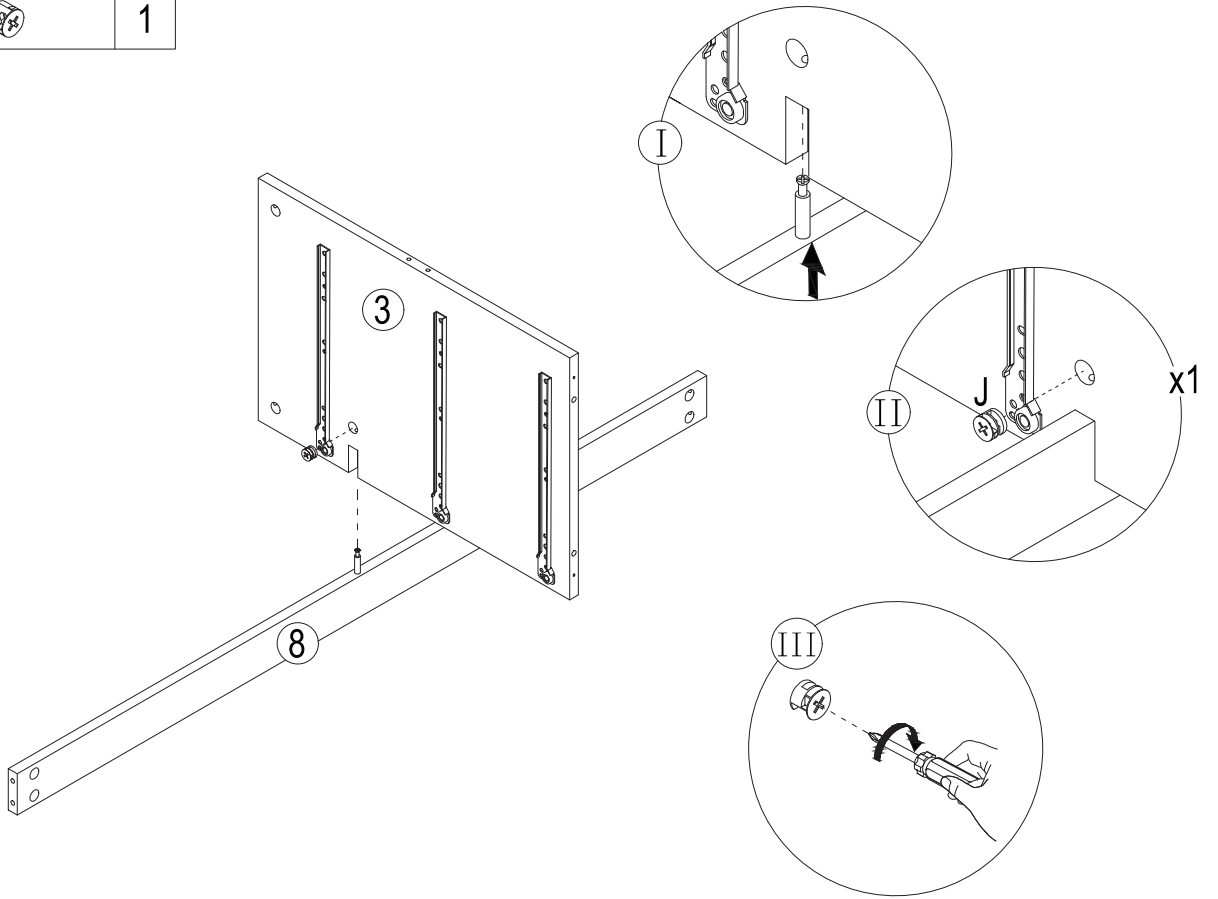
A		7
F		2
L		2

Secure the long side of the 'L' shaped metal plate to Board ① using one short 'F' screw.



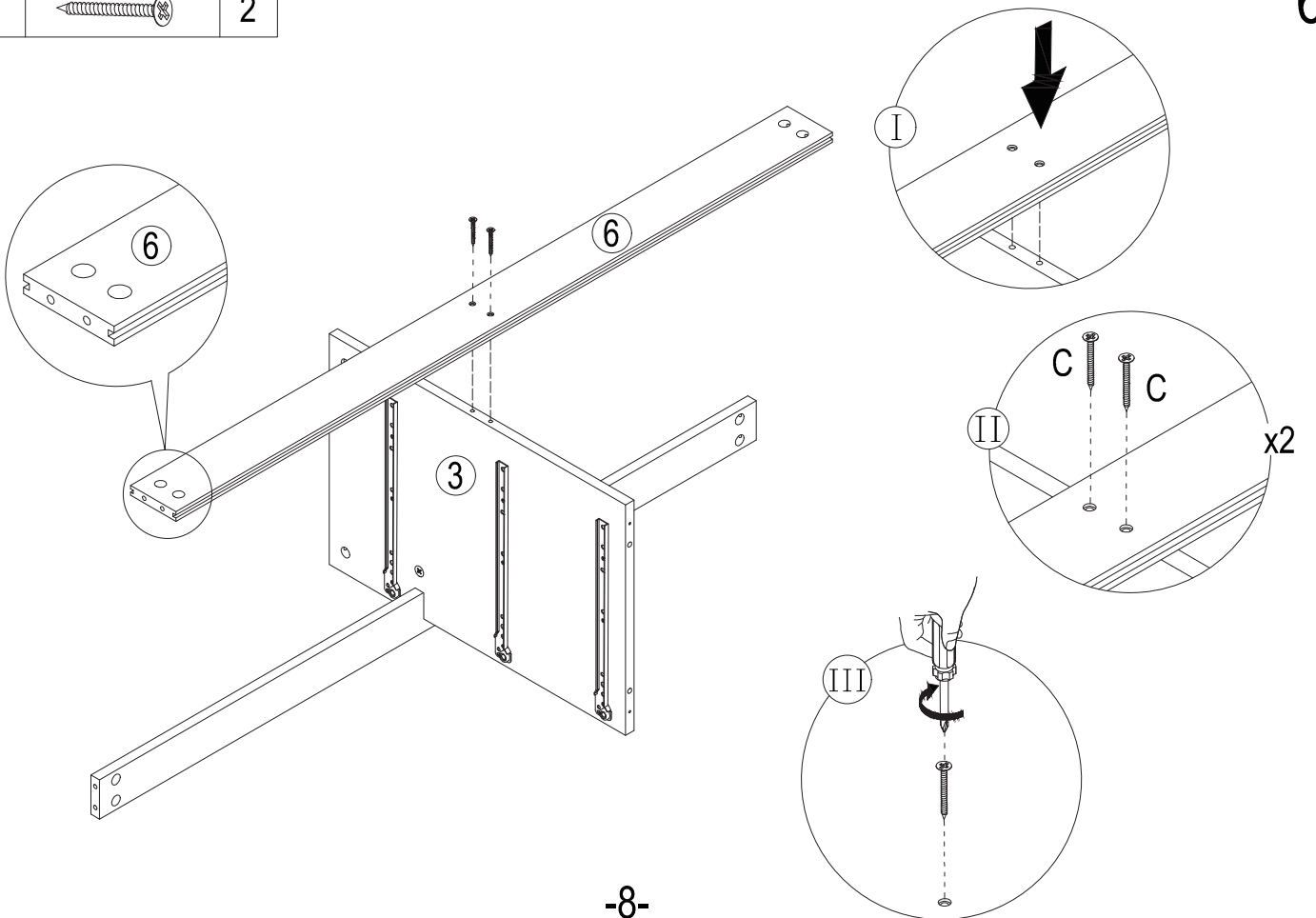
J		1
---	---	---

5



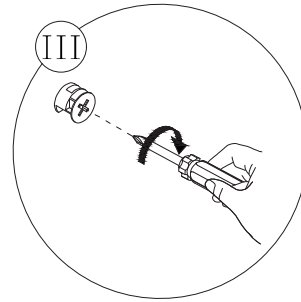
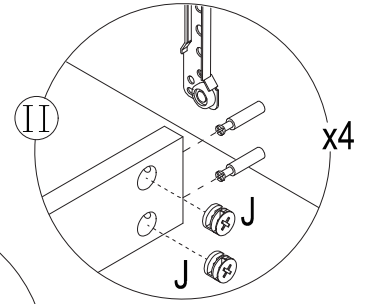
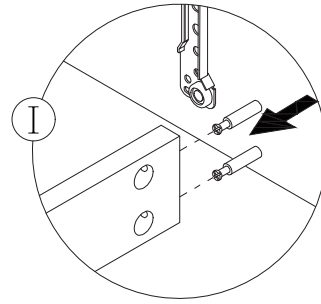
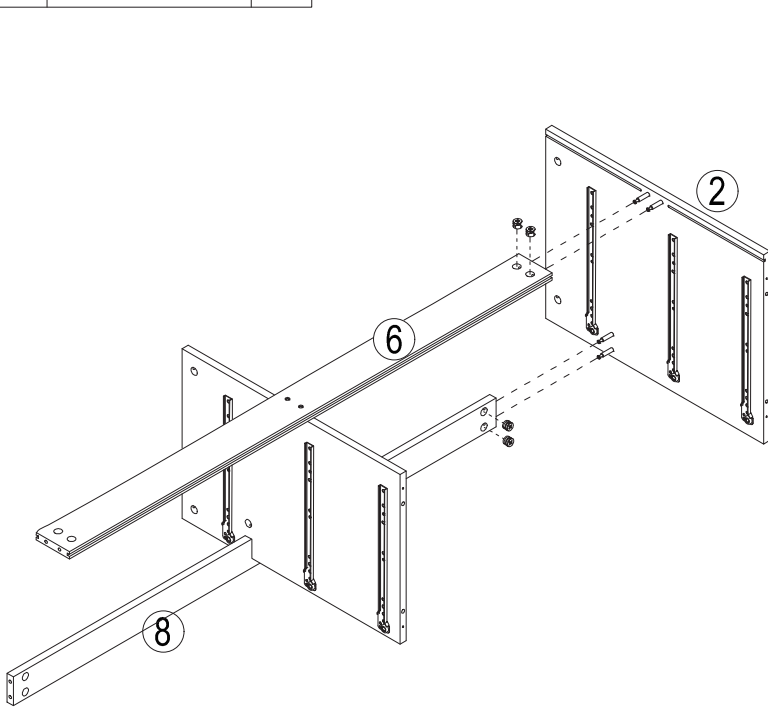
C		2
---	---	---

6



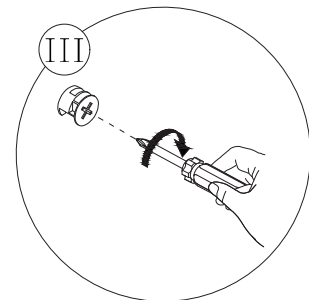
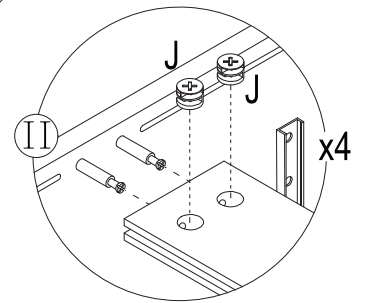
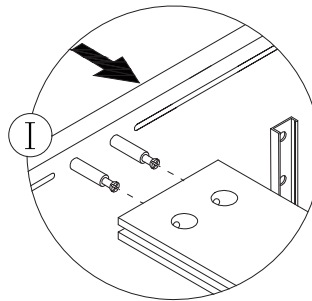
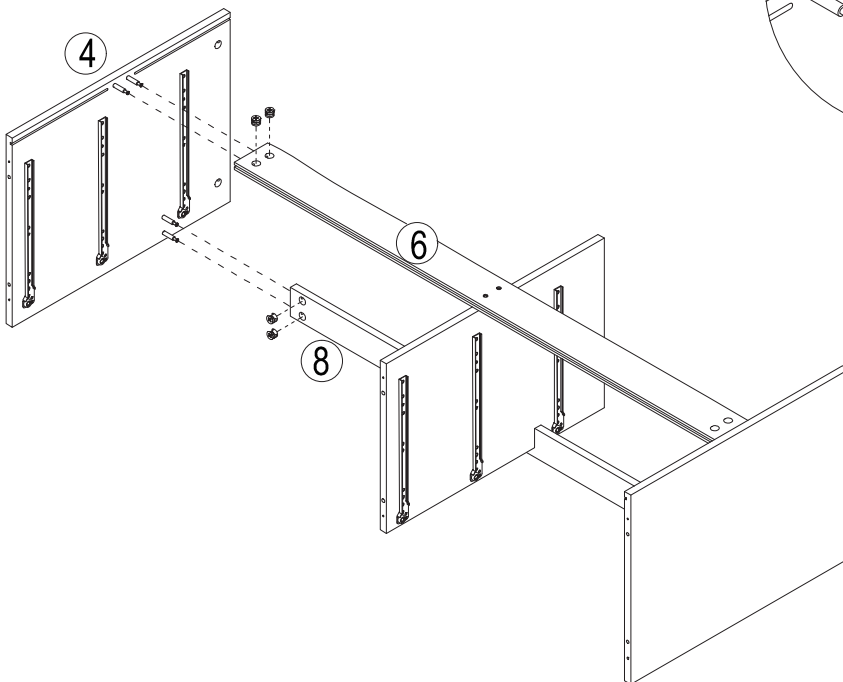
J		4
---	---	---

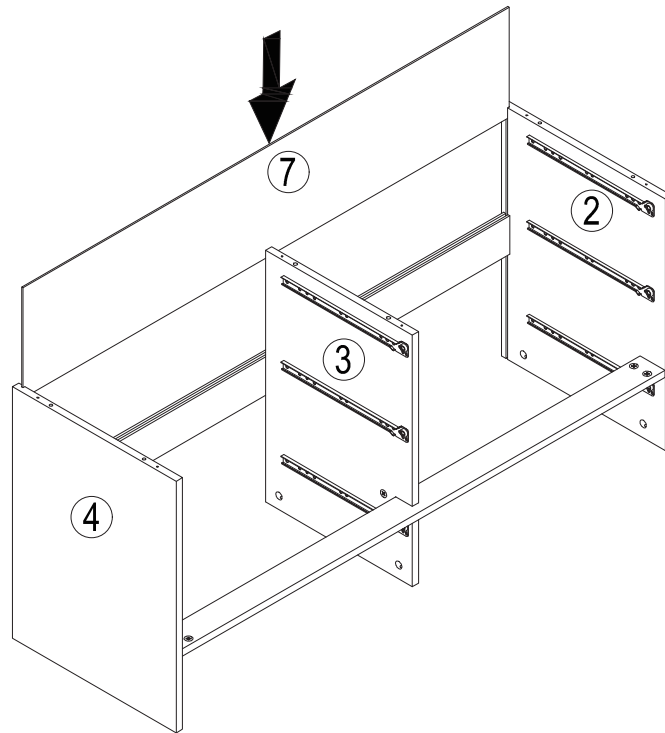
7





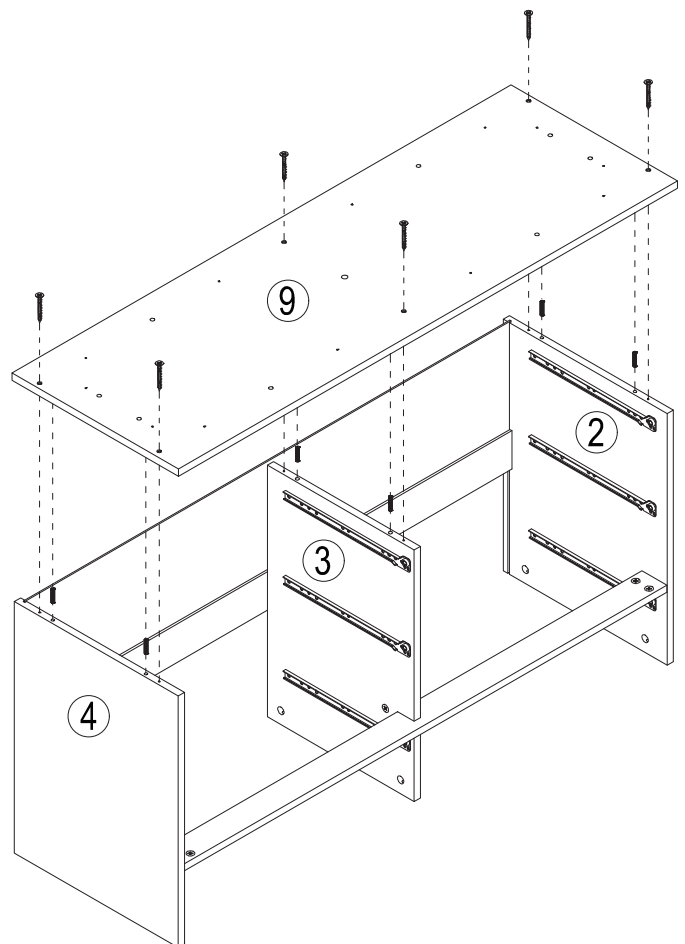
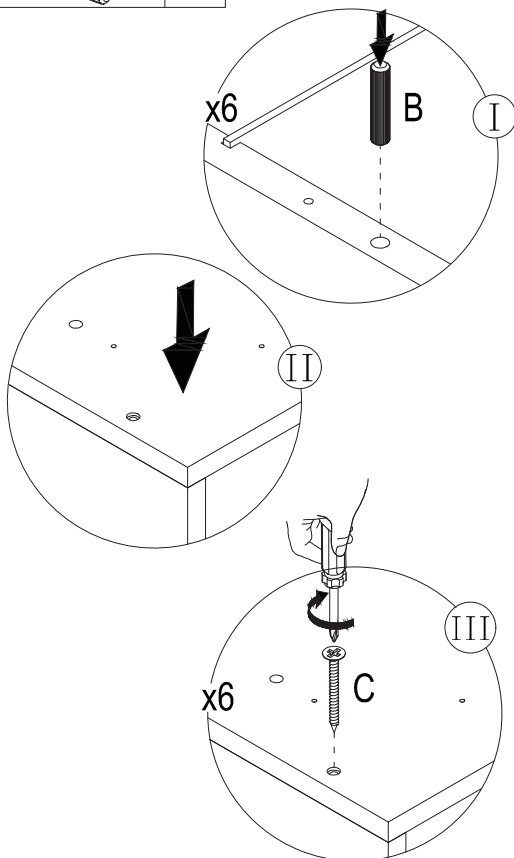
J		4
---	---	---


8



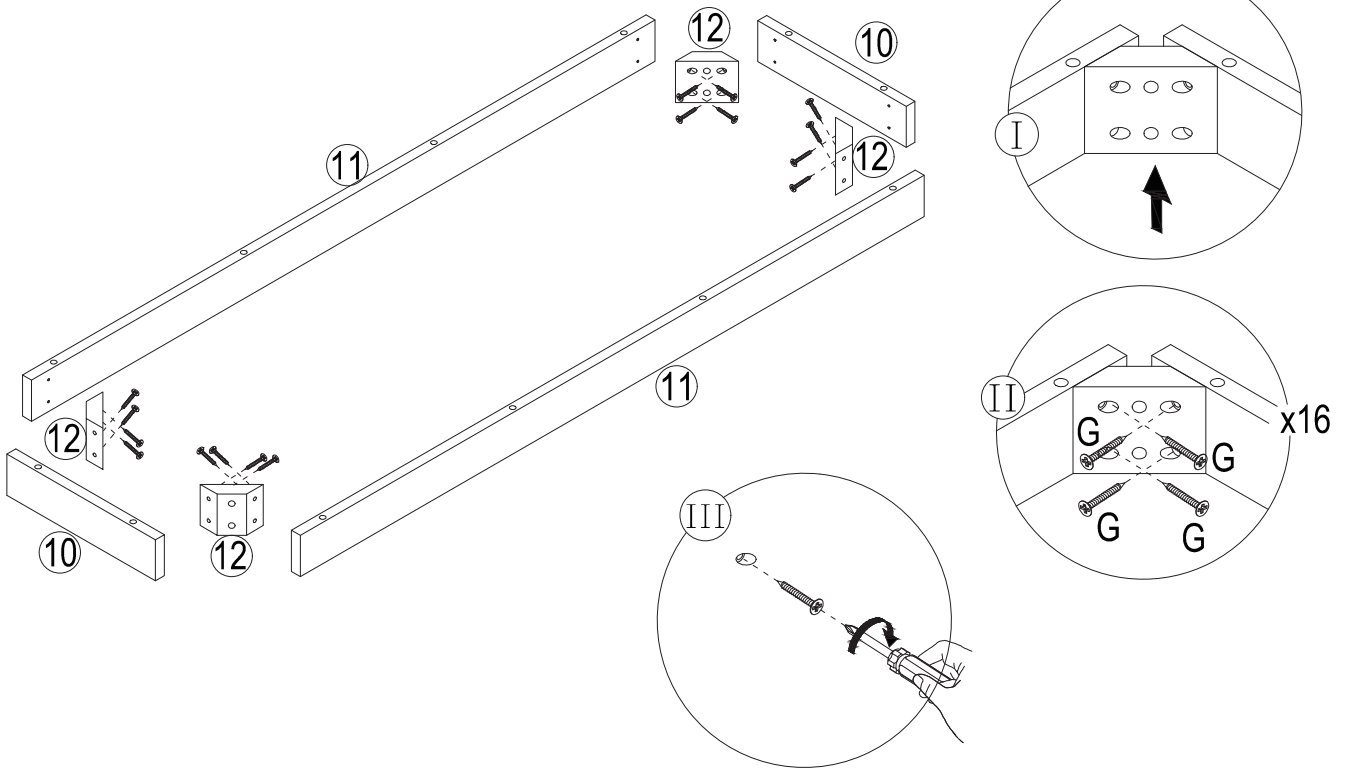




C		6
B		6



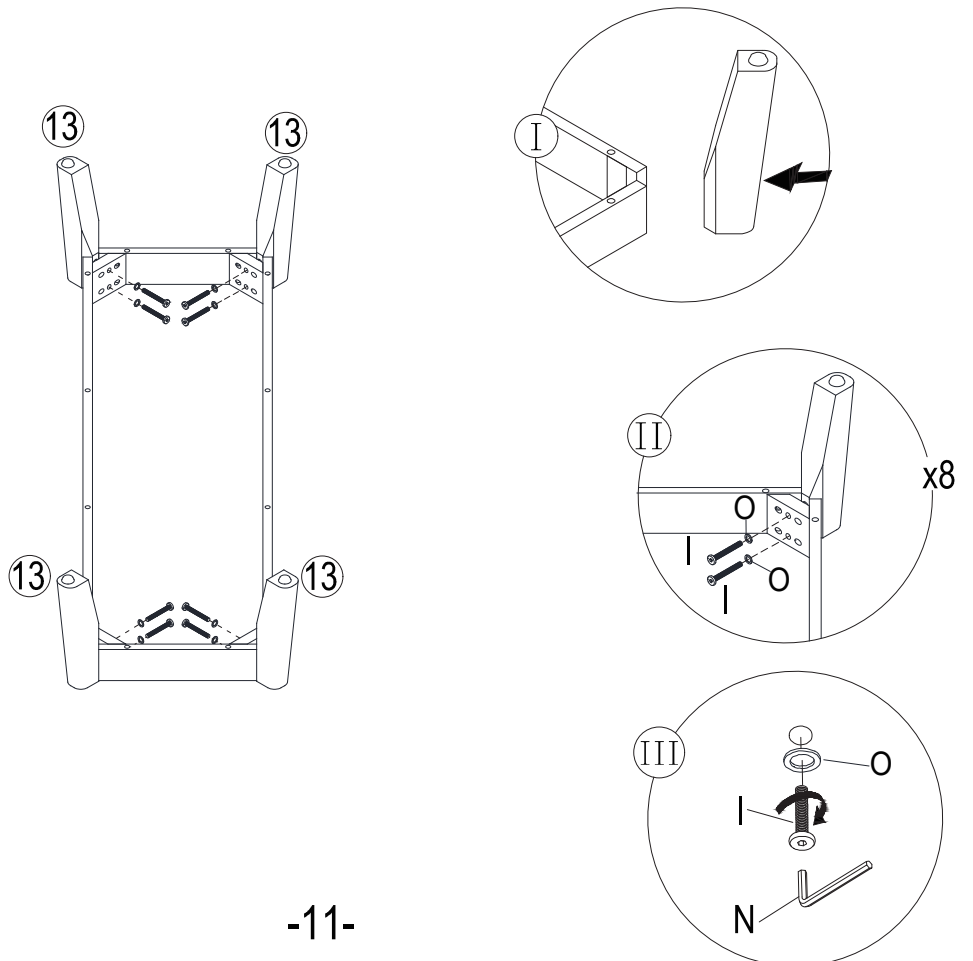
G		16
---	---	----

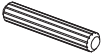

11

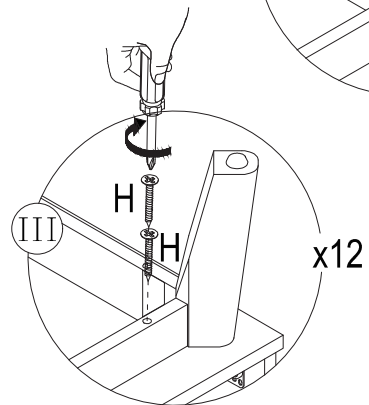
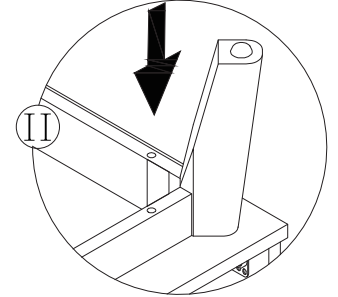
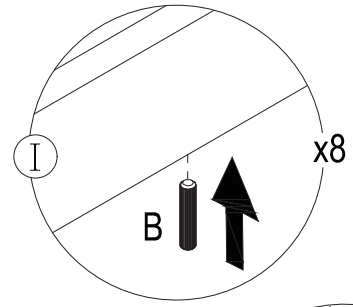
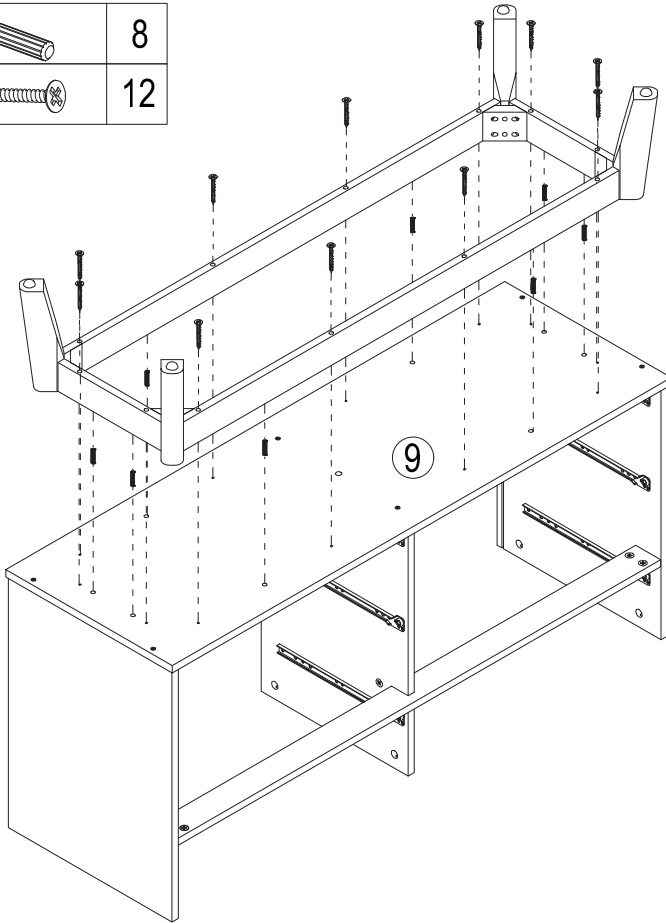


I		8
O		8

12

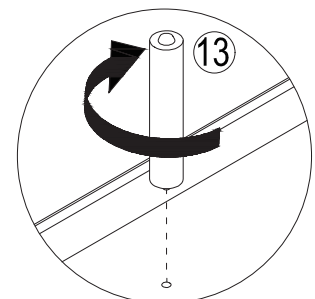
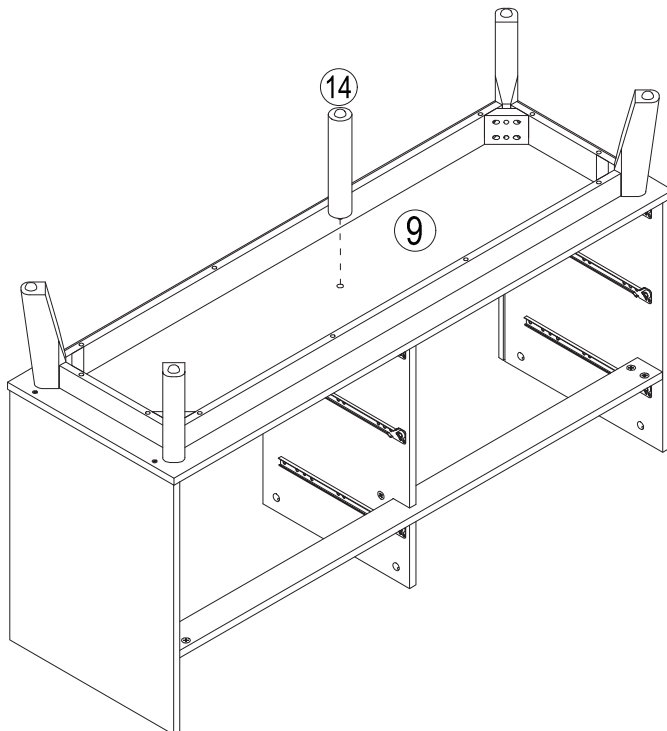


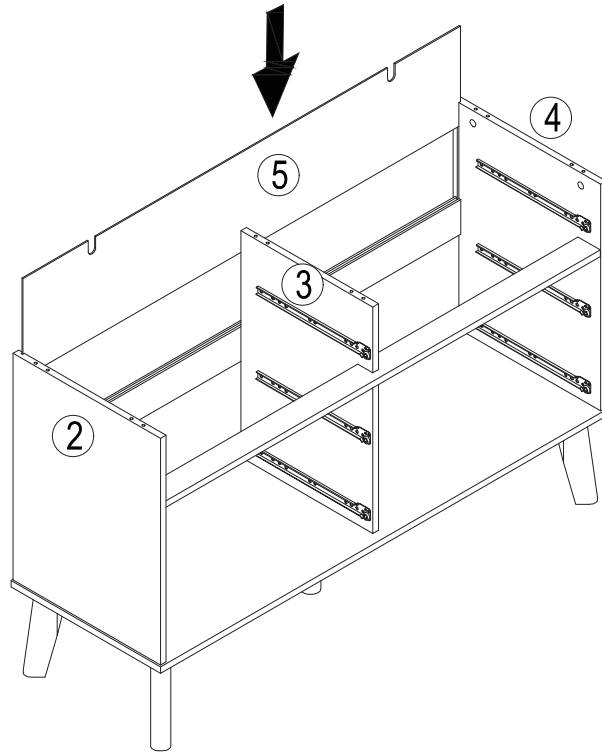
B		8
H		12

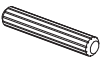



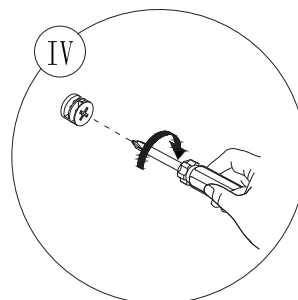
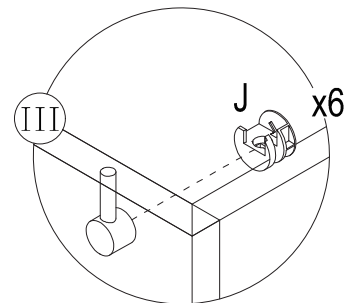
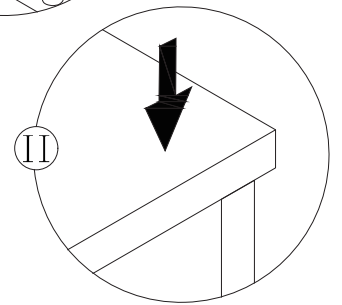
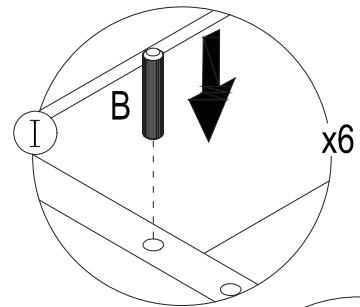
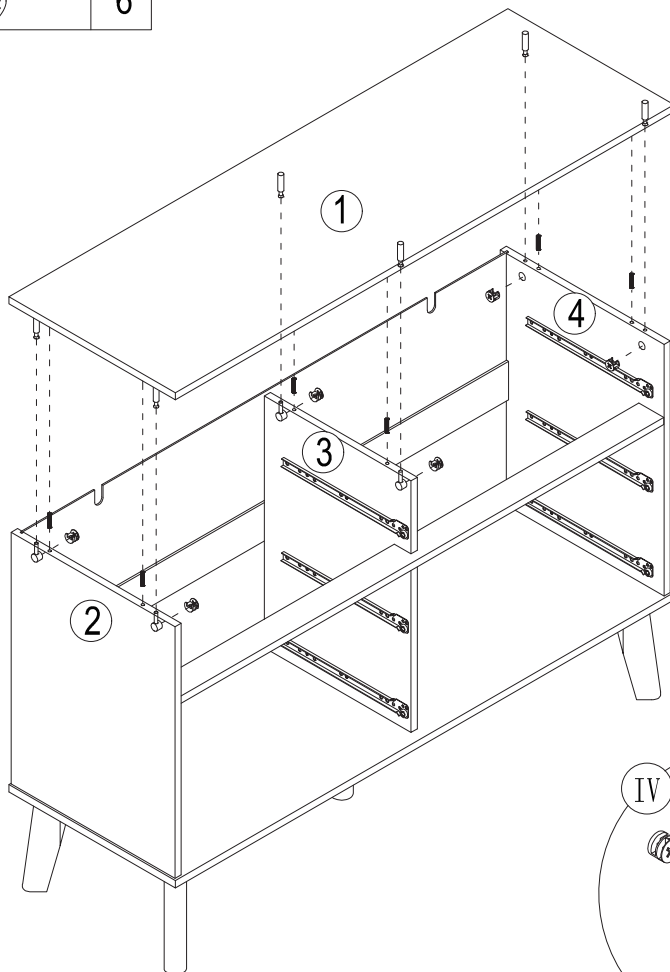
13


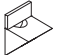
14



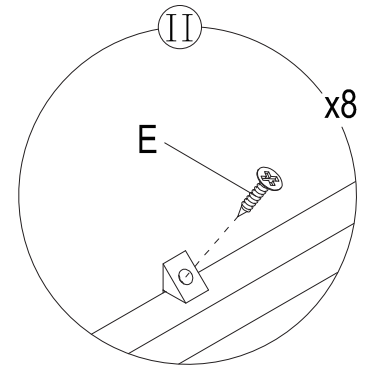
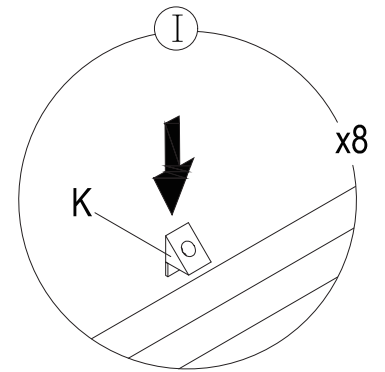
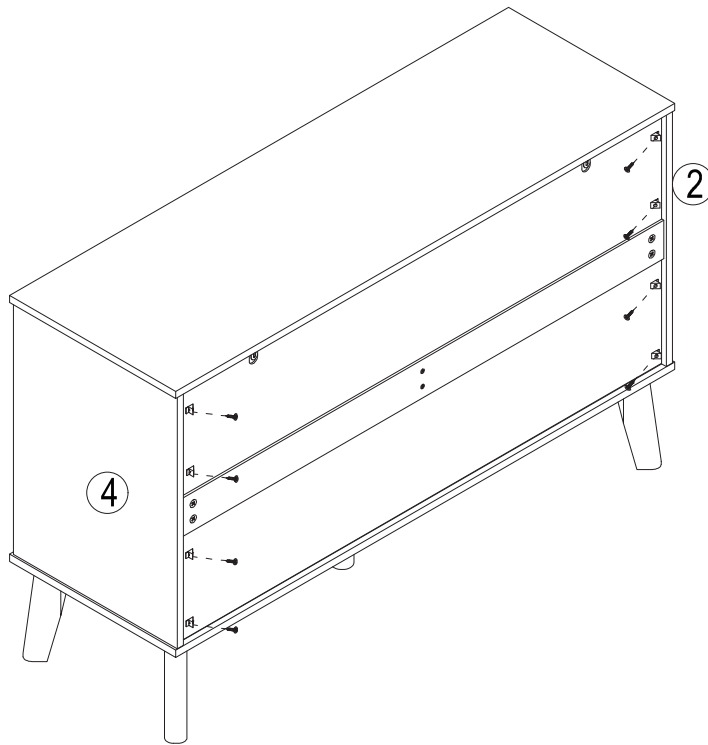


B		6
J		6

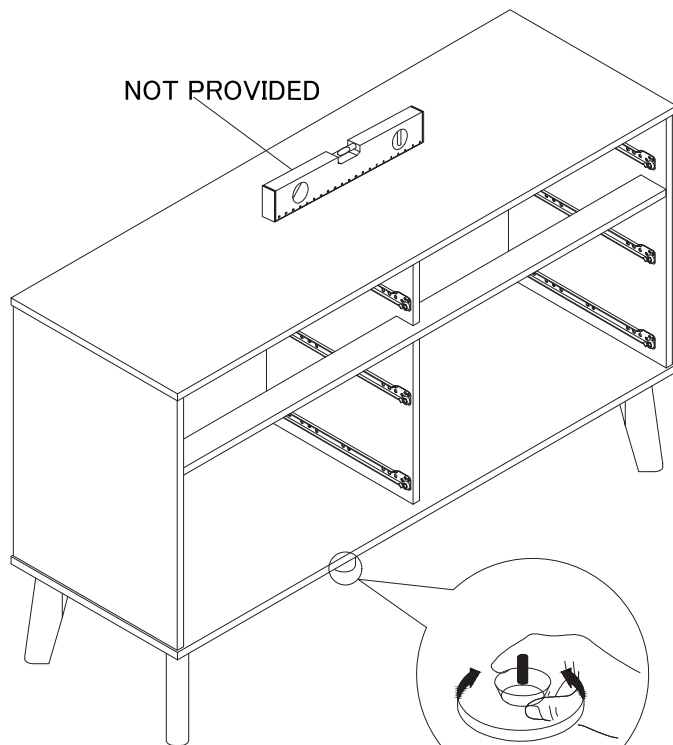


E		8
K		8

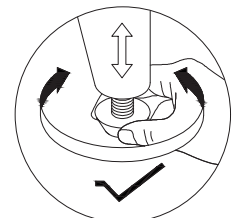
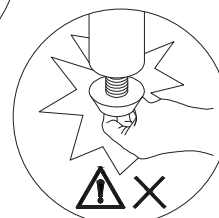
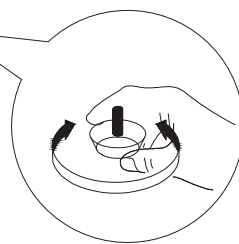
17



18

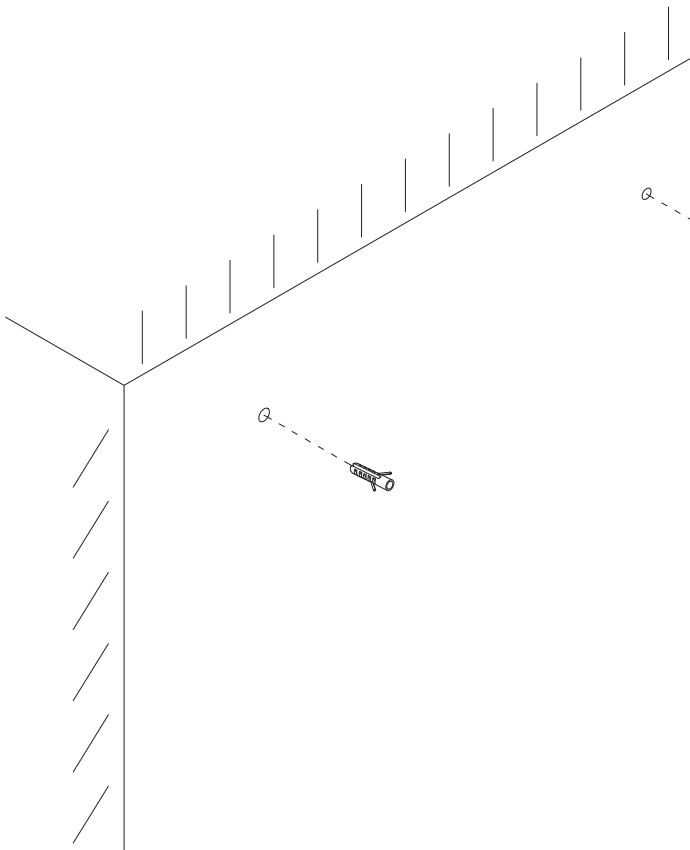


NOT PROVIDED

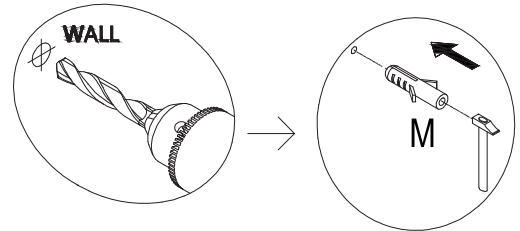



M		2
---	---	---

19

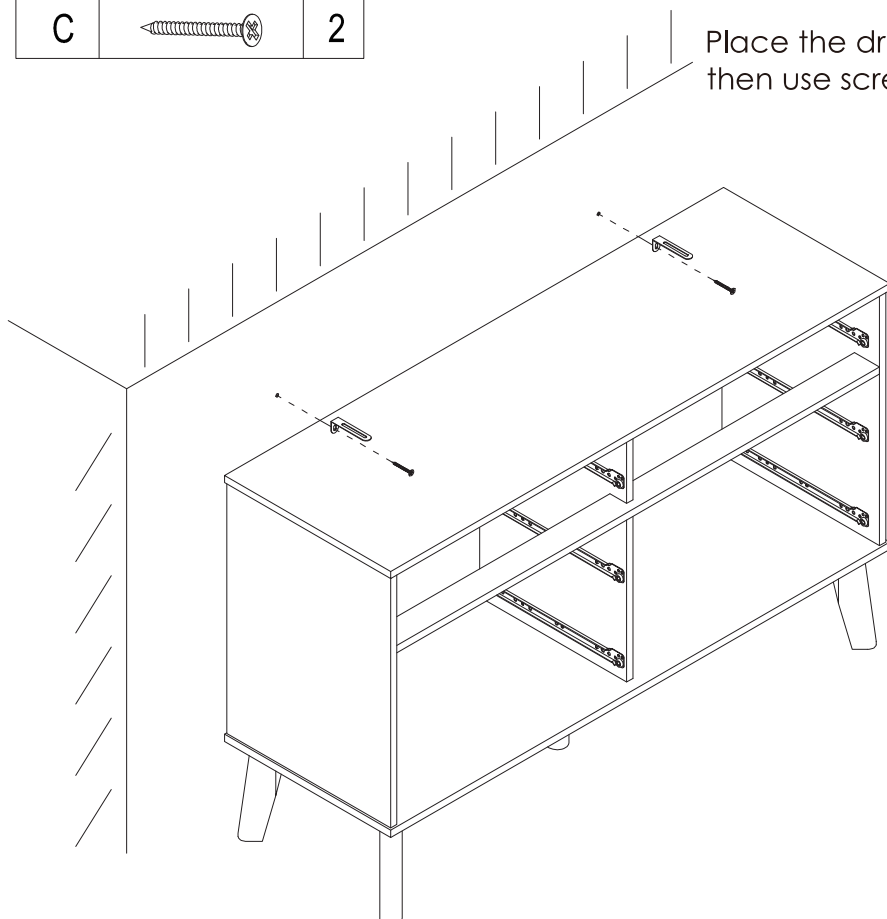


Drill two holes in the wall at the marked position for installing the anti-tip device.

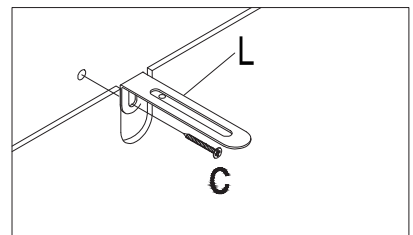


C		2
---	---	---

20

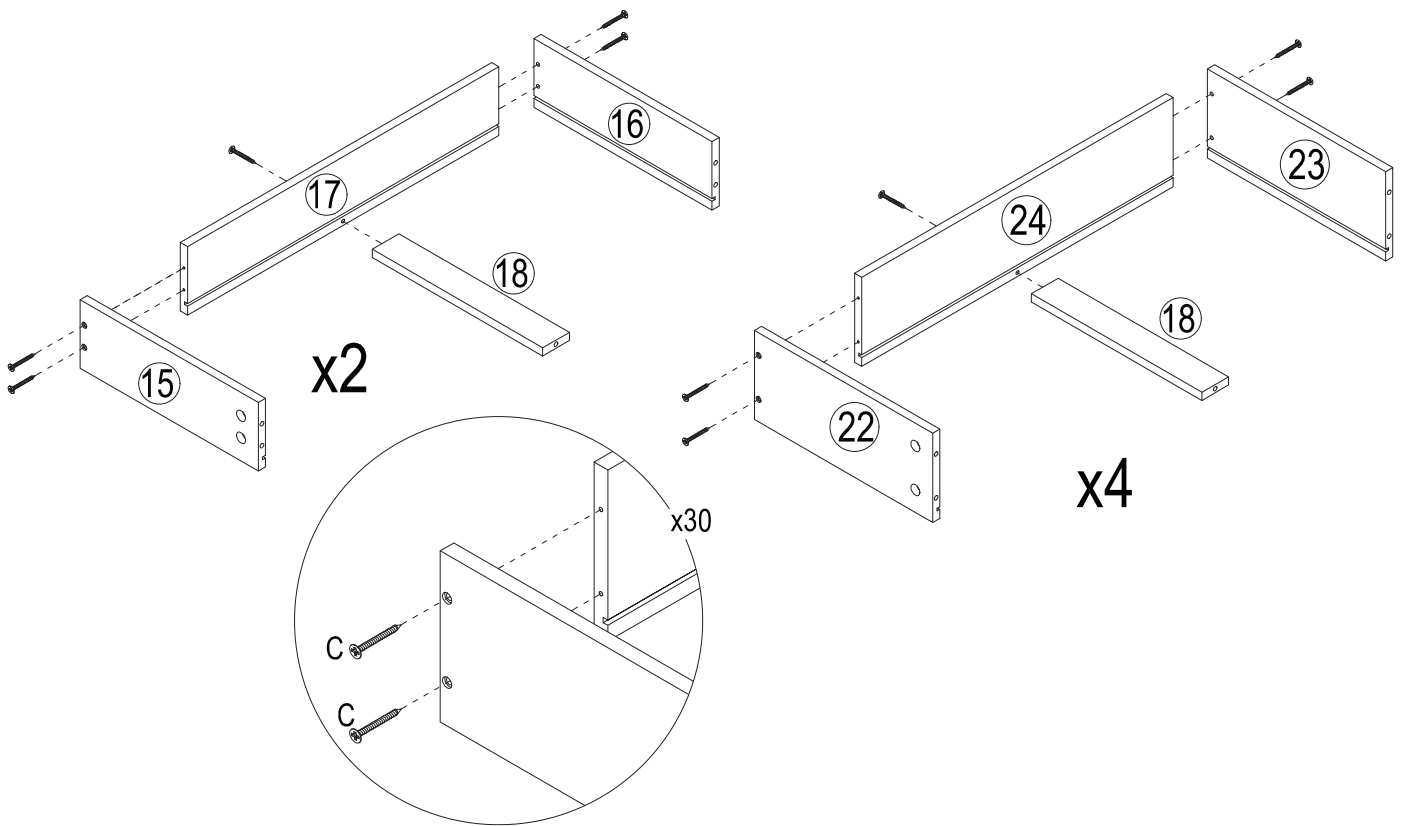


Place the dresser in the desired position, then use screw C to anchor it securely to the wall.

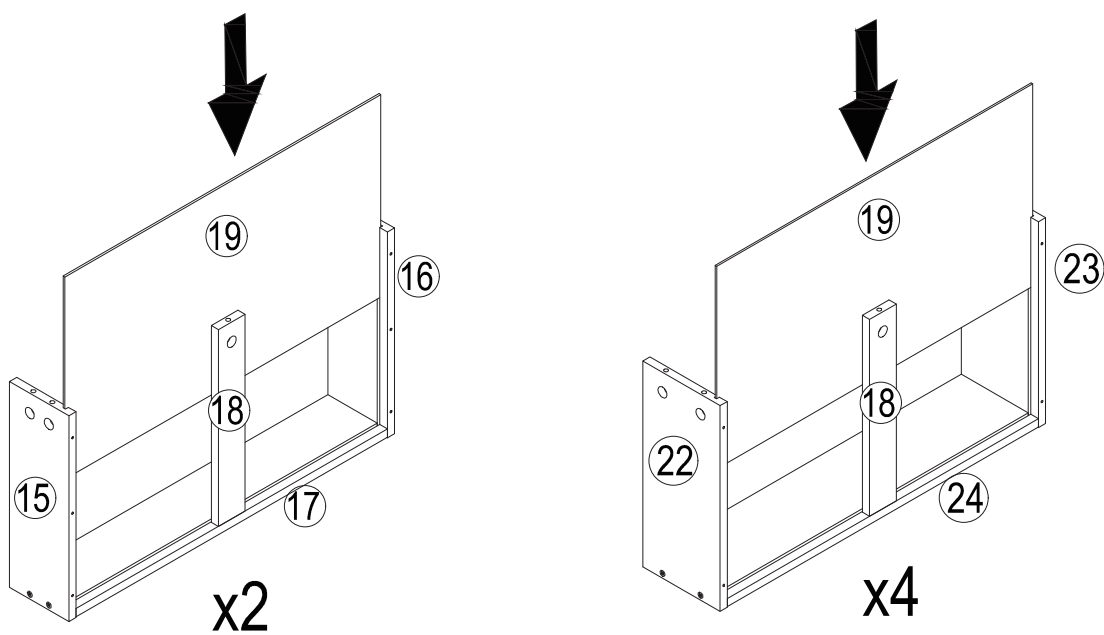


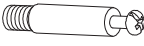
C		30
---	---	----

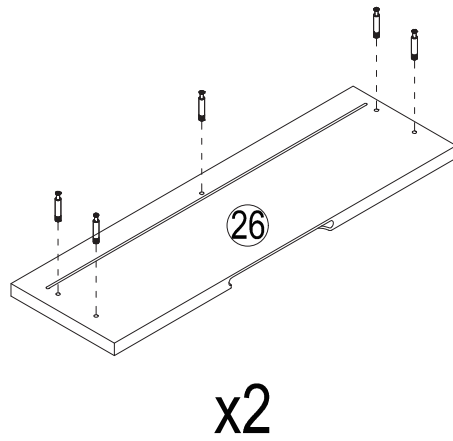
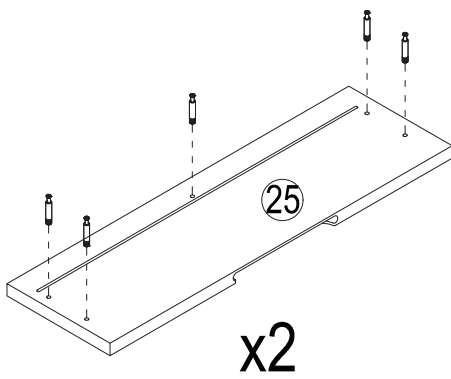
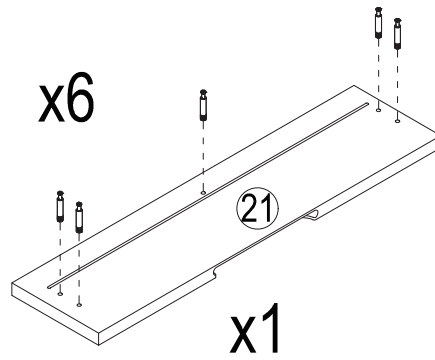
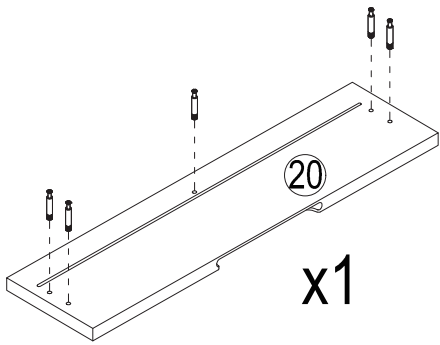
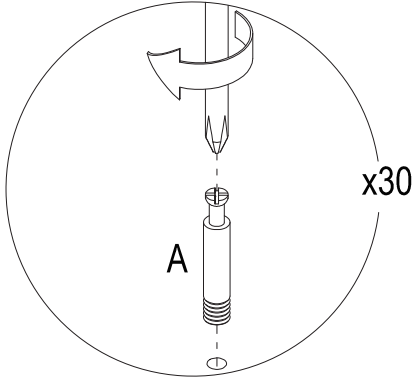
21

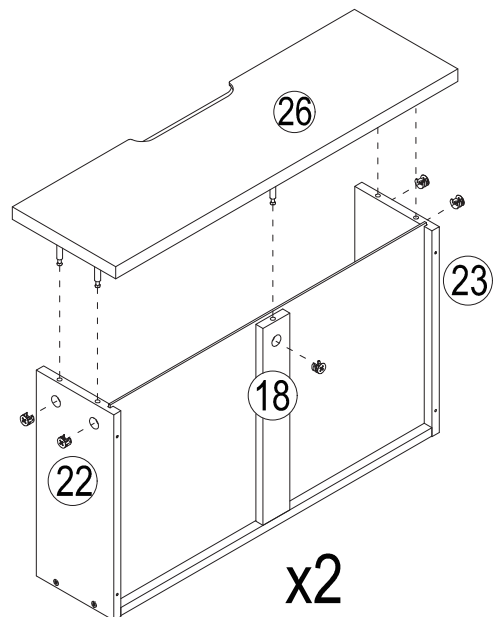
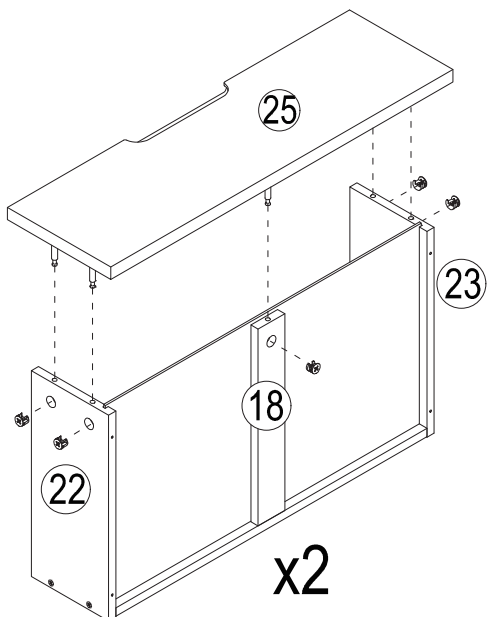
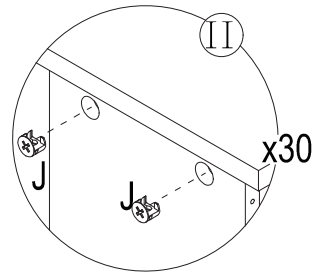
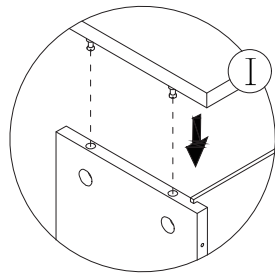
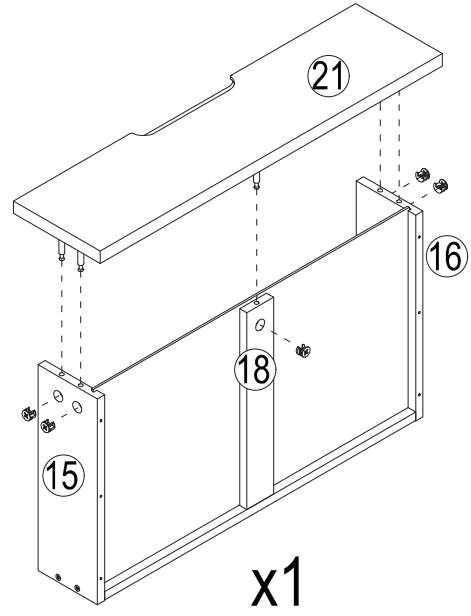
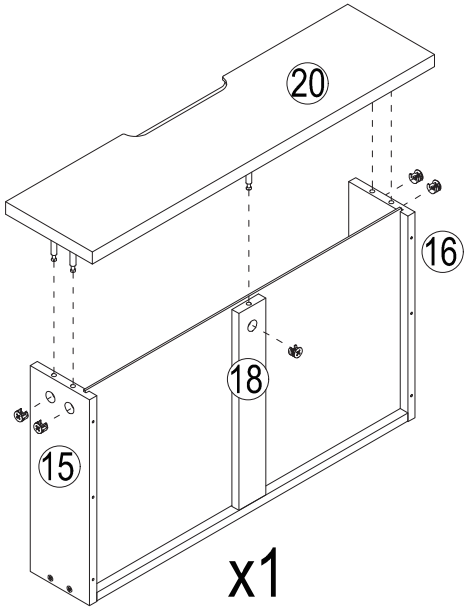



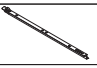

22

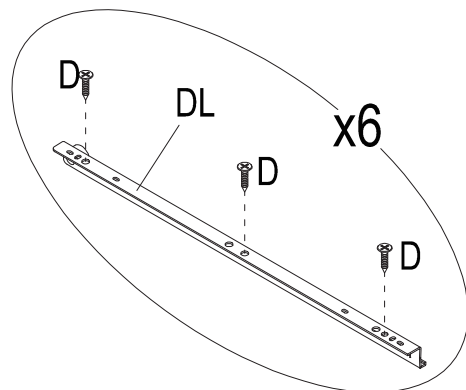
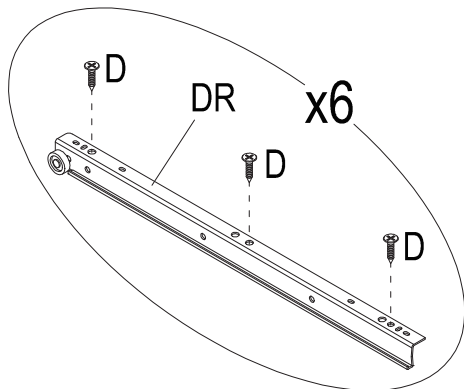
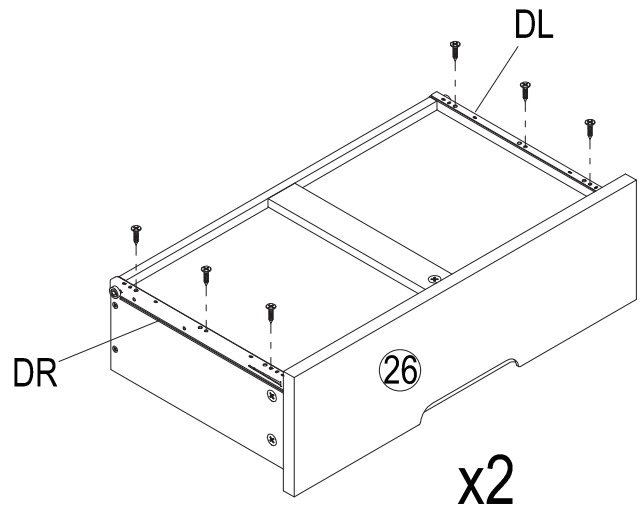
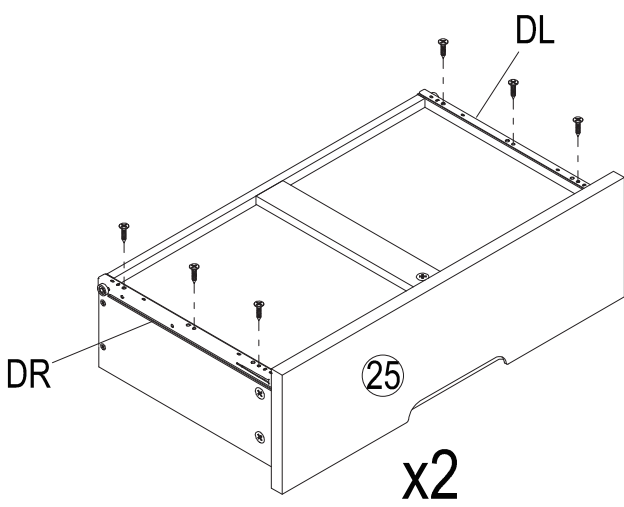
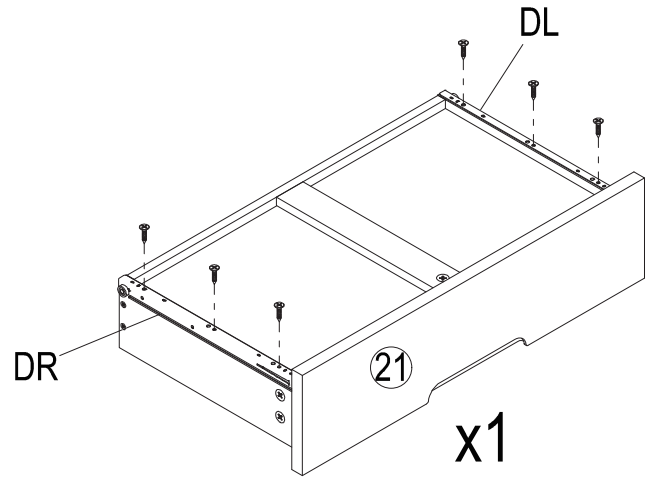
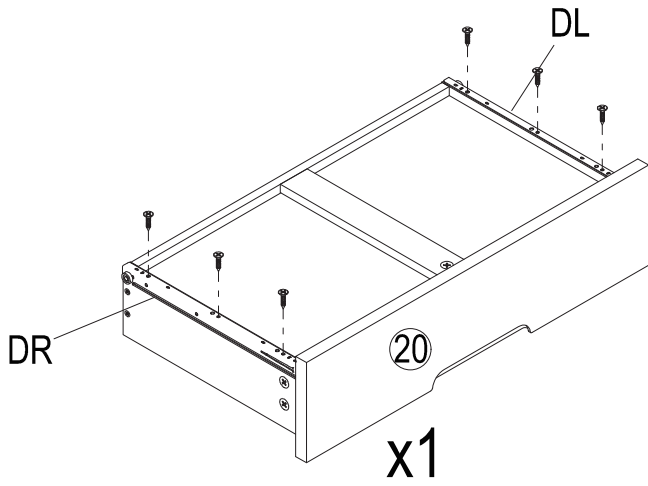


A		30
---	---	----

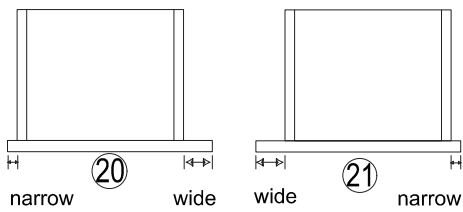
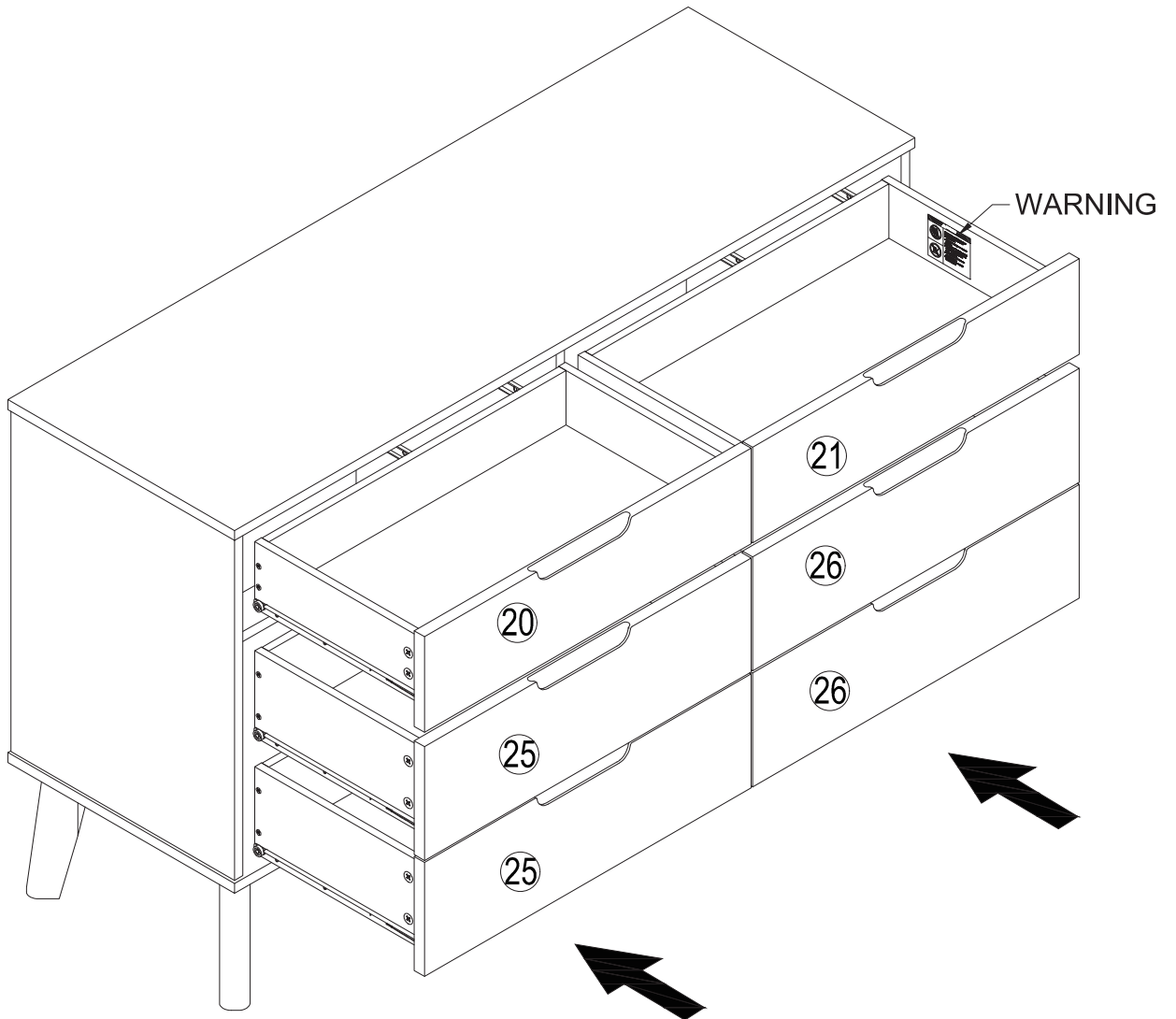




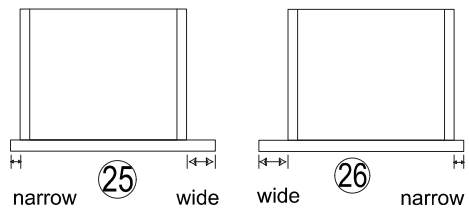
D		36
DL		6
DR		6



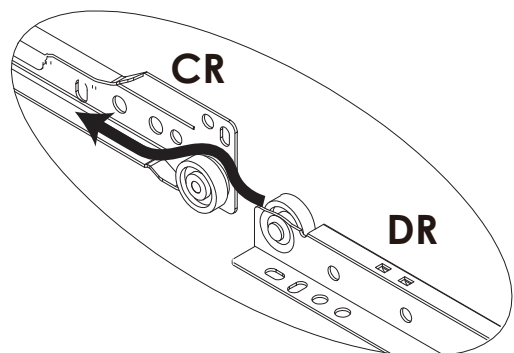
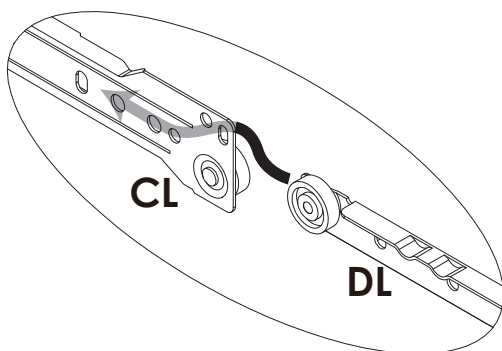
x3



Make sure parts #20 are for the left drawer and #21 are for the right drawer.



Make sure parts #25 are for the left drawer and #26 are for the right drawer.



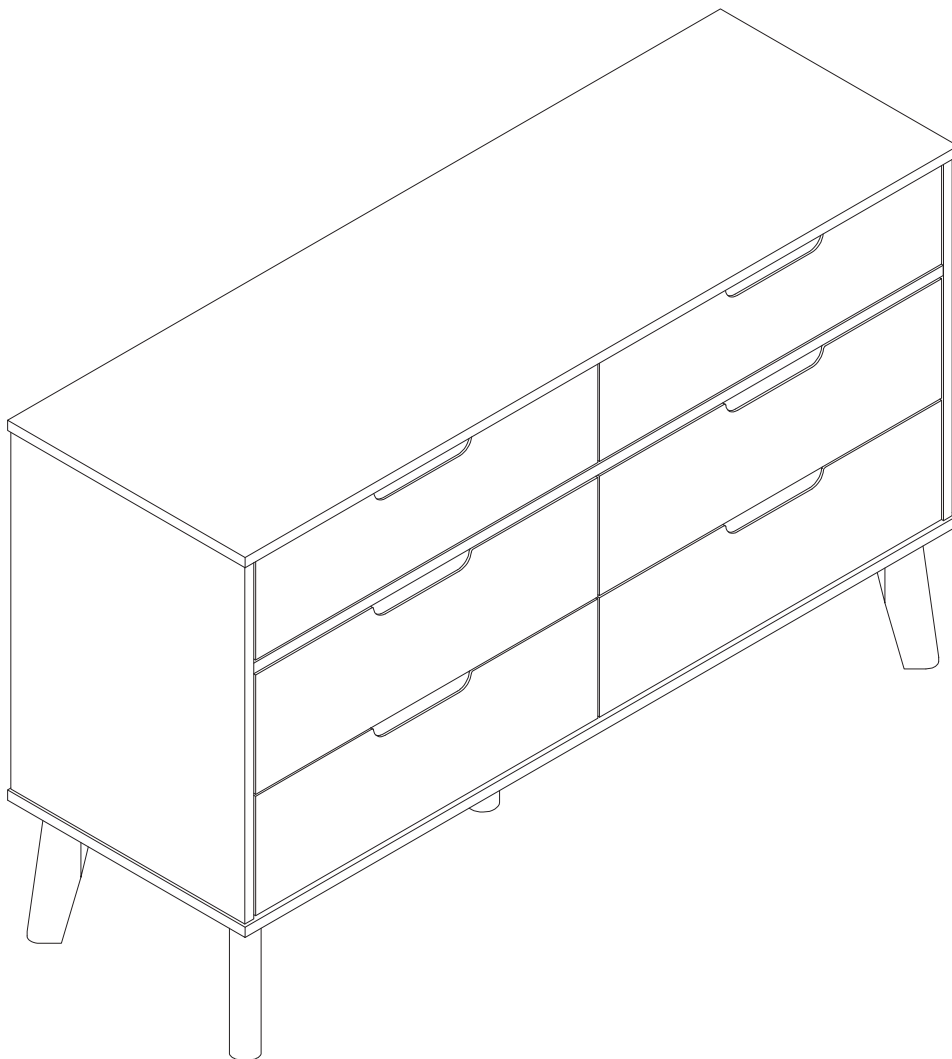
! WARNING



Children have died from furniture tipover. To reduce the risk of furniture tipover:

- ALWAYS install Anti-tip device provided.
- NEVER put a TV on this product.
- NEVER allow children to stand, climb or hang on any drawers, doors, or shelves.
- NEVER open more than one drawer at a time.
- Place heaviest items in the lowest drawers.

***This is a permanent label.
Do not remove!***



SAFETY FIRST, STYLE ALWAYS

Thank you for choosing our products. To ensure safety and performance, please follow these instructions:

- **Assembly:** Carefully follow instructions and tighten all parts.
- **Intended Use:** Use furniture as intended and adhere to weight limits.
- **Handling:** Move gently and check for loose parts regularly.
- **Tipping:** Tall or unstable furniture may tip over if not secured, especially in homes with children or pets.
- **Overloading:** Exceeding weight limits can lead to collapse or damage.
- **Sharp Edges:** Handle furniture with sharp corners carefully, especially around children.

MAINTENANCE & CLEANING TIPS

- **Regular Cleaning:** Use a soft, dry cloth to wipe the surface of cabinet regularly. Avoid harsh chemical cleaners.
- **Protect from Sunlight:** Keep cabinet out of direct sunlight to prevent damage to the material and finish.

DON'T WORRY, WE'VE GOT YOUR BACK.

We don't just sell furniture — we're here for the long haul! If you run into any issues due to manufacturing defects or material problems, we offer a 1-year warranty. That means we'll replace any faulty parts for free — no hassle.